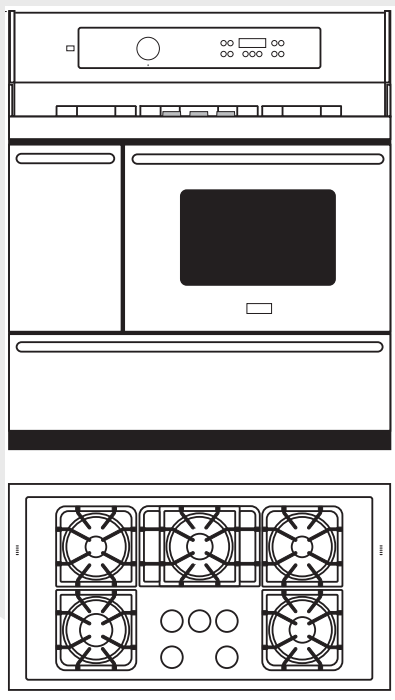


Frigitidair

Factory Parts Catalog



Product No.	PLCF489CCE	PLCF489CCF
	38157593H30S5	38157593H30S6
Series	PRO GALLERY	PRO GALLERY
Color	stainless	stainless
Market	North America	North America
Wiring Diagram	318045330	318045330
Owner's Guide	318200754	318200754
Installation Instructions	318201755	318201755
Service Data Sheet	318047205	318047205
Timer Guide	318200181	318200181

 **Electrolux**

Electrolux Major Appliances
North & Latin America
P.O. BOX 212378
AUGUSTA, GA 30917

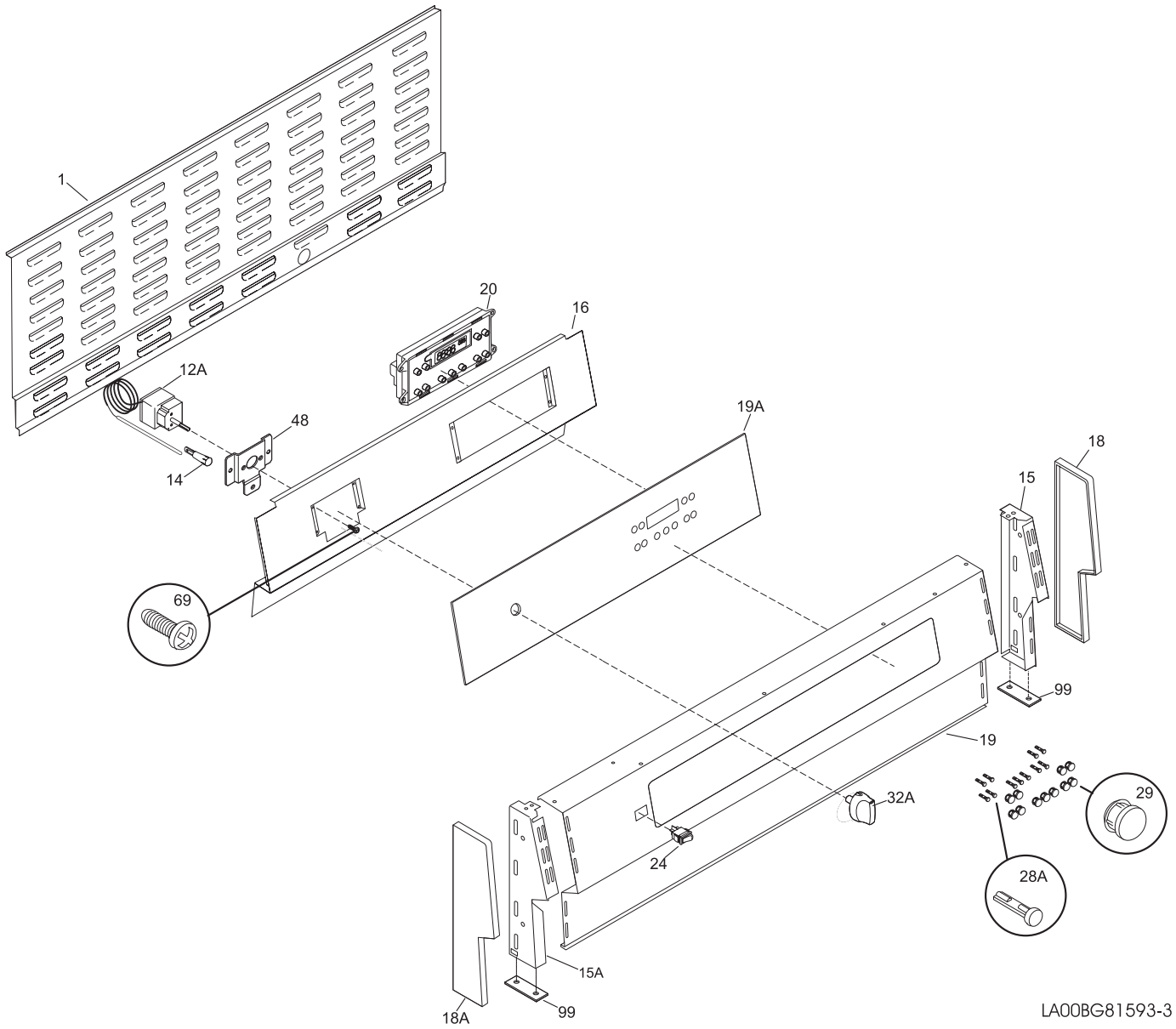
Publication No.
5995456729
05/12/20
(EN/SERVICE/ECL)
377

**40-INCH FREE-
STANDING DUAL FUEL
RANGE**

Model No.
PLCF489C

Copyright © 2005 Electrolux Home Products, Inc.
All rights reserved.

BACKGUARD



LA00BG81593-3

BACKGUARD

Model Index: A PLCF489C (PLCF489CCE)
B PLCF489C (PLCF489CCF)

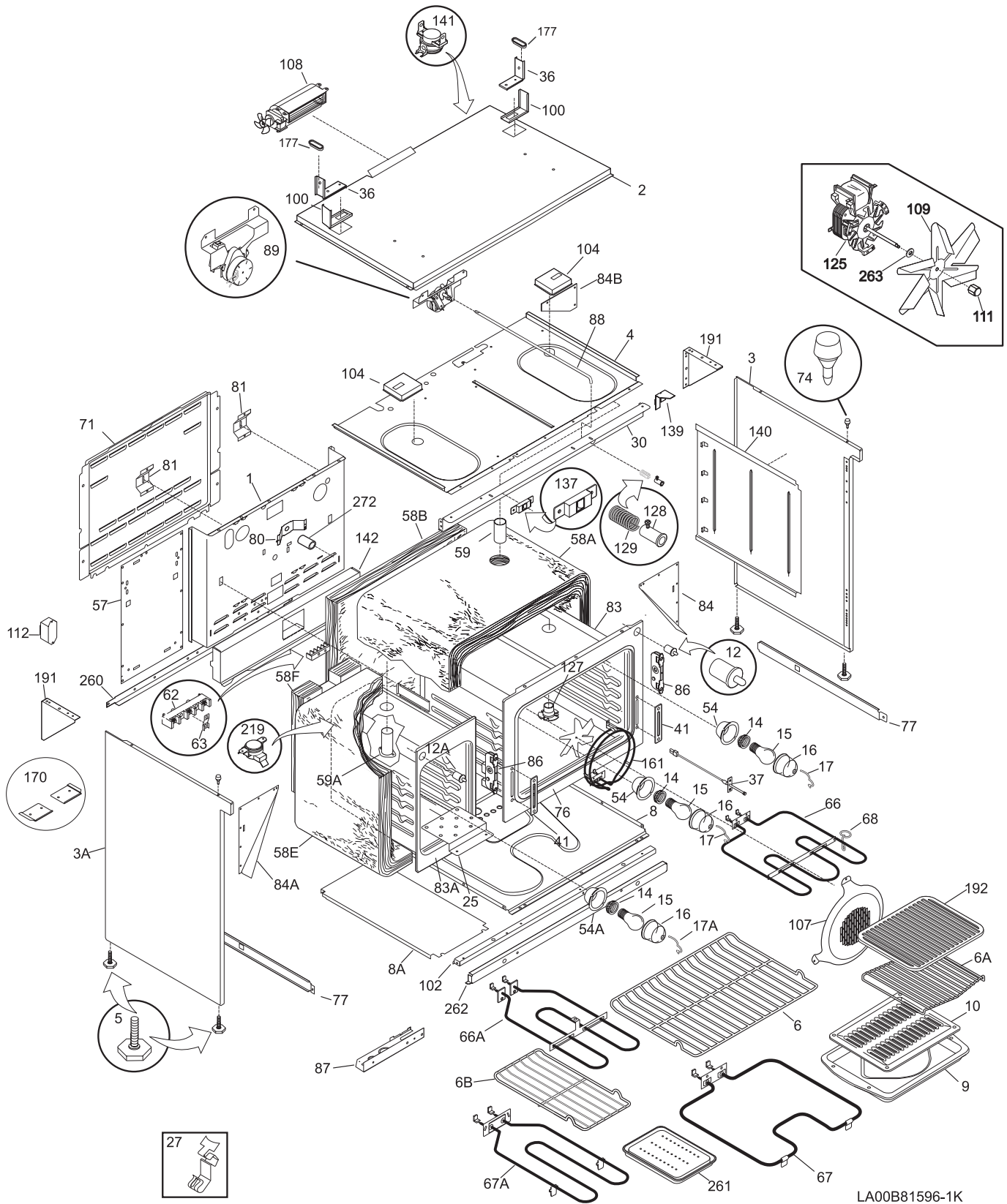
POS. NO	PART NO.		DESCRIPTION
1	318086900	A B	Shield, backguard
12A#	318183000	A B	Thermostat, oven
14 #	318044824	A B	Light, indicator, 250v, (2)
15	318161902	A B	Bracket, end cap, RH
15A	318161903	A B	Bracket, end cap, LH
16	318193103	A B	Panel, switch mtg
18	318190604	A B	End Cap, RH
18A	318190605	A B	End Cap, LH
19	318192906	A -	Panel, control
19	318192921	- B	Panel, control
19A	318181800	A B	Glass, control panel
20 #	318010102	A B	Clock/Timer, EOC, ERC3
24 #	316005602	A B	Switch, rocker, black
28A	316080600	A B	Shaft, push button, black, (11), clock/timer/EOC
29	318017800	A B	Knob, clock, black, (11)
32A	318099205	A B	Knob, thermostat
48	318181204	A B	Bracket, thermostat
69	5303323134	A B	Screw, 8-32 x 0.188
99	5303304544	A B	Spacer, end cap mtg.
100	5303325982	A B	Nut, Keps, 10-32
* #	318111501	A B	Relay, convection, oven light, (1)
*	318163602	A B	Cleaner, stainless steel
*	08016432	A B	Screw, truss head, 8-18 x 0.375
*	5303211311	A B	Screw, 8 x 0.500
*	5303300265	A B	Screw, 8-18 X 1/2, (2)

BURNER

Model Index: A PLCF489C (PLCF489CCE)
 B PLCF489C (PLCF489CCF)

POS. NO	PART NO.		DESCRIPTION
1	318177200	A B	Manifold Pipe
2 #	318087040	A B	Valve, top burner, 13000 BTU
2A #	318087001	A B	Valve, top burner, 5000 BTU
2B #	5303935042	A B	Valve, top burner, 2-position, 9100 BTU
3 #	318232607	A B	Wiring Harness, w/igntr switch
4 #	318167715	A B	Tube, burner
5 #	318167716	A B	Tube, burner
6 #	318167706	A B	Tube, burner
7 #	318167713	A B	Tube, burner
8	318079001	A B	Module, spark
10 #	318148001	A B	Burner, top, 9100 BTU, medium LF & LR
10A#	318148002	A B	Burner, top, 13000 BTU, large RF
10B#	318148000	A B	Burner, top, 5000 BTU, small RR
13	318054507	A B	Connector, manifold tube
14 #	318122700	A B	Regulator, pressure
15	318149202	A B	Bracket, regulator
35	318146301	A B	Bushing
62	318160203	A B	Cover, spark module
72	5303323141	A B	Screw, valve mtg, 1/4-20 x 5/16
74 #	318148700	A B	Ignitor, top burner
75	318148800	A B	Clip, electrode
76 #	318167801	A B	Tube, mixing, medium & large
76A#	318167800	A B	Tube, mixing, small
77	318112010	A B	Bracket, burner mtg, medium & large
77A	318112000	A B	Bracket, burner mtg, small
77B	318180900	A B	Bracket, burner tube
79 #	318167712	A B	Tube, burner
85	318175302	A B	Shim, burner support
* #	318186800	A B	LP Conversion Kit
*	5303211311	A B	Screw, 8 x 0.500

BODY



BODY

Model Index: A PLCF489C (PLCF489CCE)
B PLCF489C (PLCF489CCF)

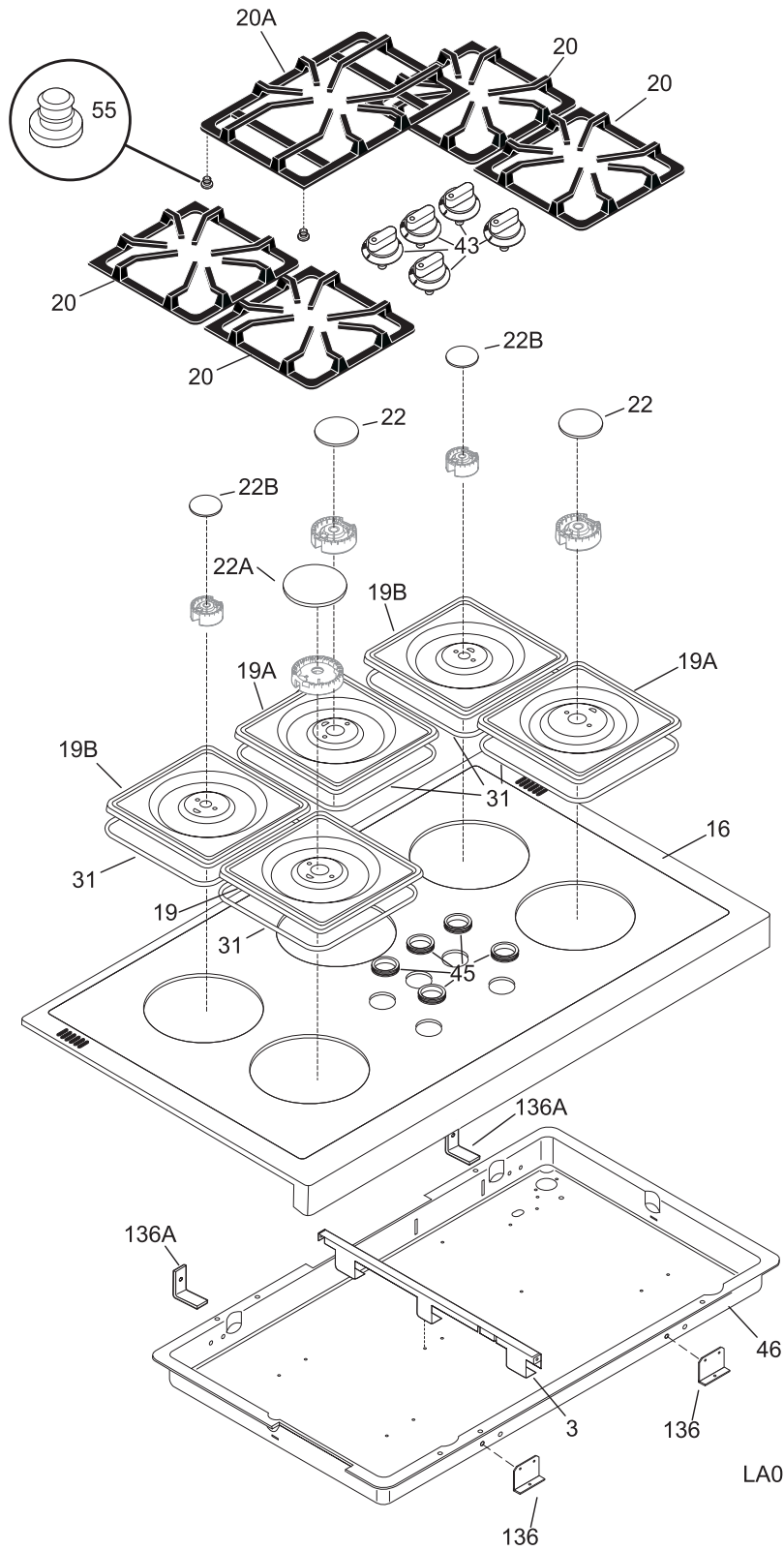
POS. NO	PART NO.		DESCRIPTION
1	318066415	A B	Panel, main back
2	318173611	A B	Conduit, air
3	318066134	A B	Panel, bodyside, black, RH
3A	318066135	A B	Panel, bodyside, black, LH
4	318073714	A B	Panel, subtop
5	318175503	A B	Screw, leveling
6	318025304	A B	Rack, oven
6A	318219500	A B	Rack, broiler pan
6B	318119700	A B	Rack, shelf, small oven
8	318133000	A B	Panel, heat shield, small oven
8A	318071900	A B	Panel, small oven, bottom
9	5303317977	A B	Pan, broiler
10	5303317976	A B	Insert, broiler pan
12 #	318089913	A B	Switch, light
12A#	5301314211	A B	Switch, oven light, sm door frame
14	318224000	A B	Receptacle, oven light
15	5303013071	A B	Bulb/Lamp, light
16	3201911	A B	Cover, oven light, glass
17	5304400195	A B	Retainer, light cover
17A	5303205904	A B	Clip, lamp cover, retainer
25	318179113	A B	Shield, bottom
27	5303284616	A B	Clip, thermo bulb mtg
30	318023921	A B	Bracket, main top
36	318182111	A B	Support, flue conduit
37 #	316217002	A B	Probe, oven temp
41	5303310526	A B	Cover, hinge cutout
54	318222400	A B	Housing, oven light
54A	5303271606	A B	Housing, oven light
57	318055701	A B	Panel, small oven back
58A	318285017	A B	Insulation, oven wrapper
58B	318285018	A B	Insulation, oven back
58E	318285005	A B	Insulation, wrapper, small oven
58F	318285006	A B	Insulation, back, small oven
59	318072544	A B	Tube, oven vent
59A	318072550	A B	Tube, oven vent, LH
62	5303935061	A B	Terminal Block Kit
62*	5303323139	A B	Screw, 10-24 x 0.906
62*	5303323144	A B	Nut, 10-32
63	318264200	A B	Plate, grounding strap
66 #	318255600	A B	Element, broil, 2750W
66A#	318255700	A B	Element, broil, small oven
67 #	318255000	A B	Element, bake, 3000W
67A	318255200	A B	Element, bake, small oven
68	5304403015	A B	Support, hanger, (2), broil element
71	5303310515	A B	Panel, wiring cover, rear
74	318147420	A B	Bumper, base
76	318056006	A B	Frame, oven, front
77	318144211	A B	Bracket, slide
80	5303320846	A B	Plate, oven mtg

BODY

Model Index: A PLCF489C (PLCF489CCE)
B PLCF489C (PLCF489CCF)

POS. NO	PART NO.		DESCRIPTION
81	318192400	A B	Spring, oven
83	318089617	A B	Liner, oven assy
83A	318089200	A B	Liner, small oven
84	5303326184	A B	Gusset, RH rear
84A	5303326185	A B	Gusset, LH rear
84B	318055902	A B	Gusset, rear
86	5303310524	A B	Receptacle, hinge
87	318111800	A B	Plate, cord set mtg
88	5303311160	A B	Rod, latch
89	318095954	A B	Motor, latch assy, w/brkt & switch
89*	318120711	A B	Switch
100	318182011	A B	flue conduit inf.
102	318111901	A B	Channel, oven support, black
104	318182212	A B	Adapter, flue
107	318219401	A B	Cover, fan
107*	5304415832	A B	Screw, 8-18 x 0.406
108	318073002	A B	Blower, fan
109	5303311203	A B	Blade, fan
111	316136600	A B	Nut, fan retainer
112#	318112701	A B	Relay
125#	5303311202	A B	Motor, convection
127	318317100	A B	Adapter Assembly, vent tube, w/converter
128	5303311163	A B	Bushing
129	5303311164	A B	Spring
137	318090300	A B	Latch, door
139	318042900	A B	Bracket, filler
140	318071300	A B	Plate, insul retainer
141#	318005201	A B	Switch, thermal cutout
142	318123901	A B	Deflector
161#	318255500	A B	Element, convection, 2500 W
170	5304405241	A B	Anti-tip bracket
177	318053810	A B	Gasket, vent
191	318322800	A B	Angle, rear plenum, (2)
192	316117101	A B	Grill, searing
219#	318003600	A B	Thermostat, safety
260	318055500	A B	Bracket, gusset support
261	08014183	A B	Pan, broiler, small oven
262	08011954	A B	Channel, oven support, front
263	316136500	A B	Washer, flat
272	318249400	A B	Tube, protector
*	318235300	A B	Connector assy., w/3 lugs, & instructions
*	5303051099	A B	Nut, hex, 10-32
*	5305151612	A B	Nut, 10-24
*	5303211311	A B	Screw, 8 x 0.500
*	5303307980	A B	Screw, 8-32 x 0.437, (4)

MAIN TOP



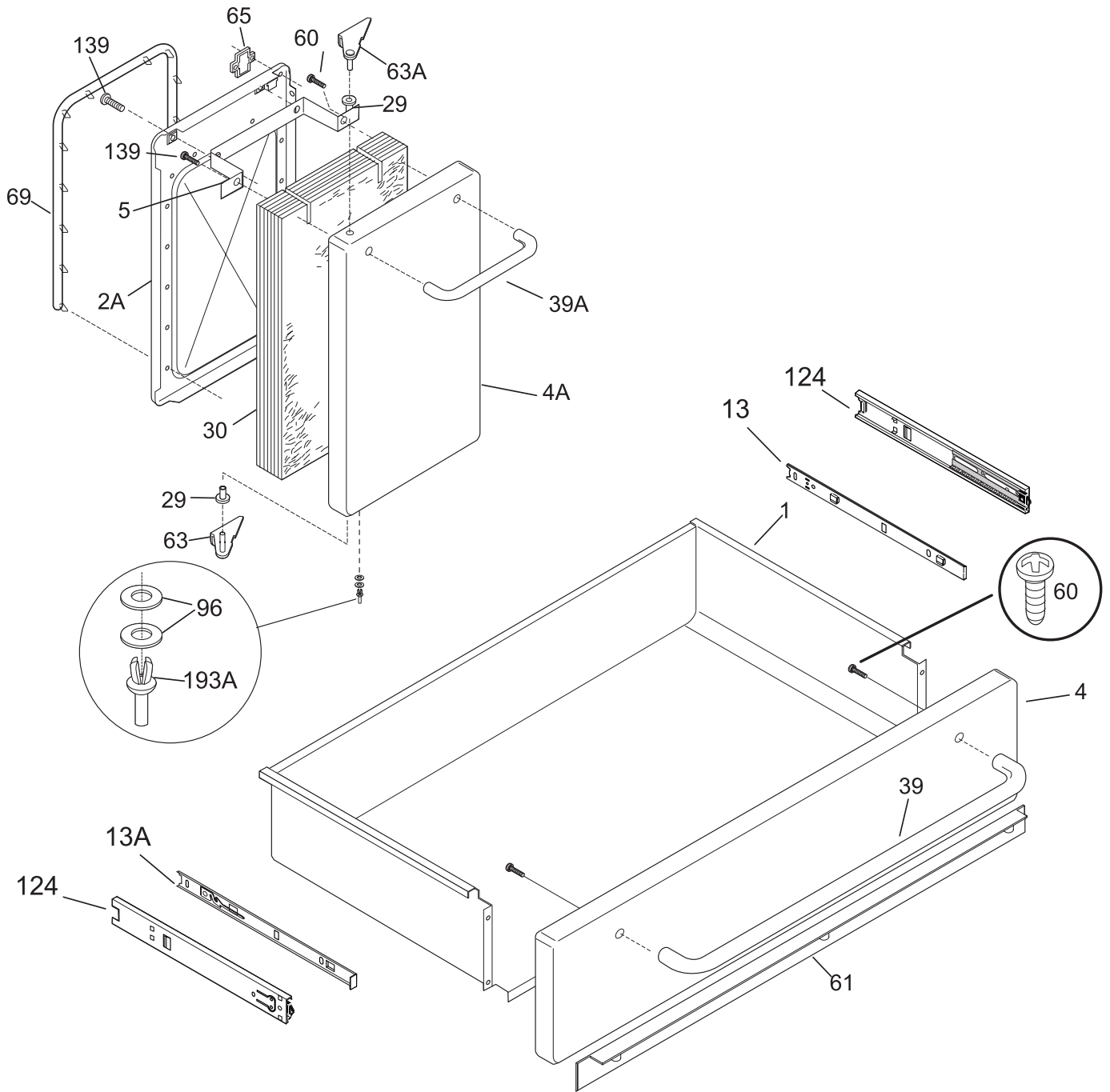
LA00CT81593-1A

MAIN TOP

Model Index: A PLCF489C (PLCF489CCE)
B PLCF489C (PLCF489CCF)

POS. NO	PART NO.		DESCRIPTION
3	318171401	A B	Support
16	318159601	A -	Maintop, glass
16	318159604	- B	Maintop, glass
19	318168114	A B	Pan, burner, black, medium
19A	318168124	A B	Pan, burner, black, large
19B	318168104	A B	Pan, burner, black, small
20	318226900	A B	Grate, black, (4)
20A	318227100	A B	Grate, black, center
22	316213500	A B	Cap, 9.5K burner, black
22A	318076420	A B	Cap, burner, black, large RF
22B	318076400	A B	Cap, burner, black, small RR
31	318053901	A B	Gasket, burner pan
43	318099100	A B	Knob, control, black, (5)
45	318146211	A B	Bushing, black
46	318077002	A B	Box, burner
55	318096700	A B	Spacer, center grate
136	318180301	A B	Bracket, box
136A	318181101	A B	Bracket
*	318163602	A B	Cleaner, stainless steel
*	08016432	A B	Screw, truss head, 8-18 x 0.375
*	5303211311	A B	Screw, 8 x 0.500

SMALL DOOR/DRAWER



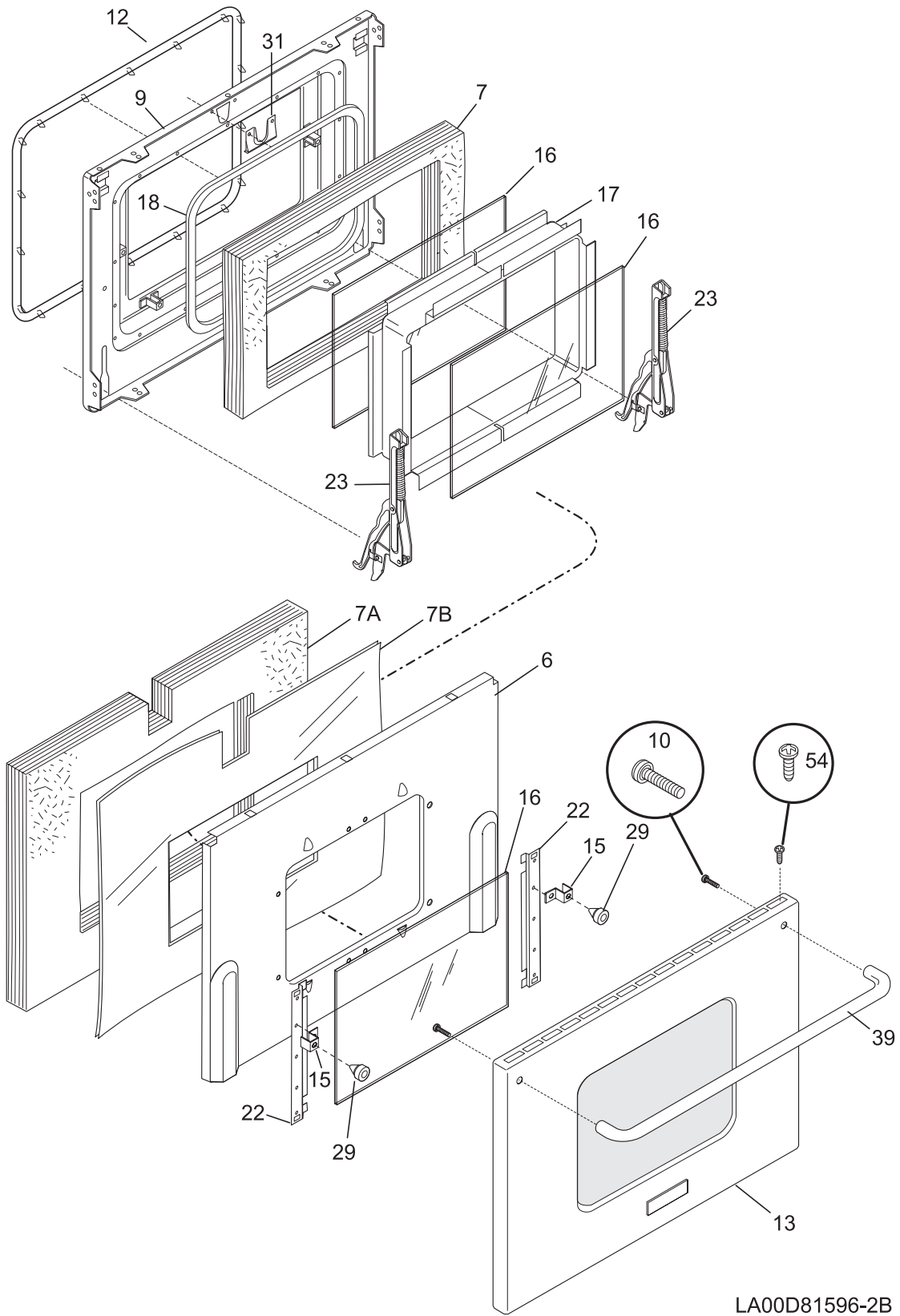
LA00D81593-1A

SMALL DOOR/DRAWER

Model Index: A PLCF489C (PLCF489CCE)
 B PLCF489C (PLCF489CCF)

POS. NO	PART NO.		DESCRIPTION
1	3202108	A B	Drawer, utility
2A	318048221	A B	Liner, inner door, small oven
2A*	318229000	A B	Baffle, small door
3	318171401	A B	Support
4	318158220	A -	Panel, drawer
4	318158221	- B	Panel, drawer
4A	318009318	A -	Panel, oven door, stainless, small
4A	318009321	- B	Panel, oven door, stainless, small
5	318014511	A B	Spacer, door handle
13	318259503	A B	Glide, warmer, inner RH
13A	318259502	A B	Glide, warmer, inner LH
29	318141800	A B	Spacer, hinge pin, upper/lower
30	318285016	A B	Insulation, oven door
39	318039803	A B	Handle, drawer, stainless steel
39A	318039802	A B	Handle, door, small oven
60	5304400794	A B	Screw, handle mtg, 10-32 x 3/4
61	318107700	A B	Toeplate
63	318024508	A B	Hinge, door, lwr small oven, lower
63A	318024509	A B	Hinge, door, upr small oven
65	318090220	A B	Strike, door
69	318053110	A B	Seal, small oven door
124	316105501	A B	Glide, warmer drawer, outer/RH & LH, (2)
136	318180301	A B	Bracket, box
193A	5303321106	A B	Plug, button
*	318163602	A B	Cleaner, stainless steel
*	08016432	A B	Screw, truss head, 8-18 x 0.375
*	5303211311	A B	Screw, 8 x 0.500
*	5303300265	A B	Screw, 8-18 X 1/2, (2)

OVEN DOOR



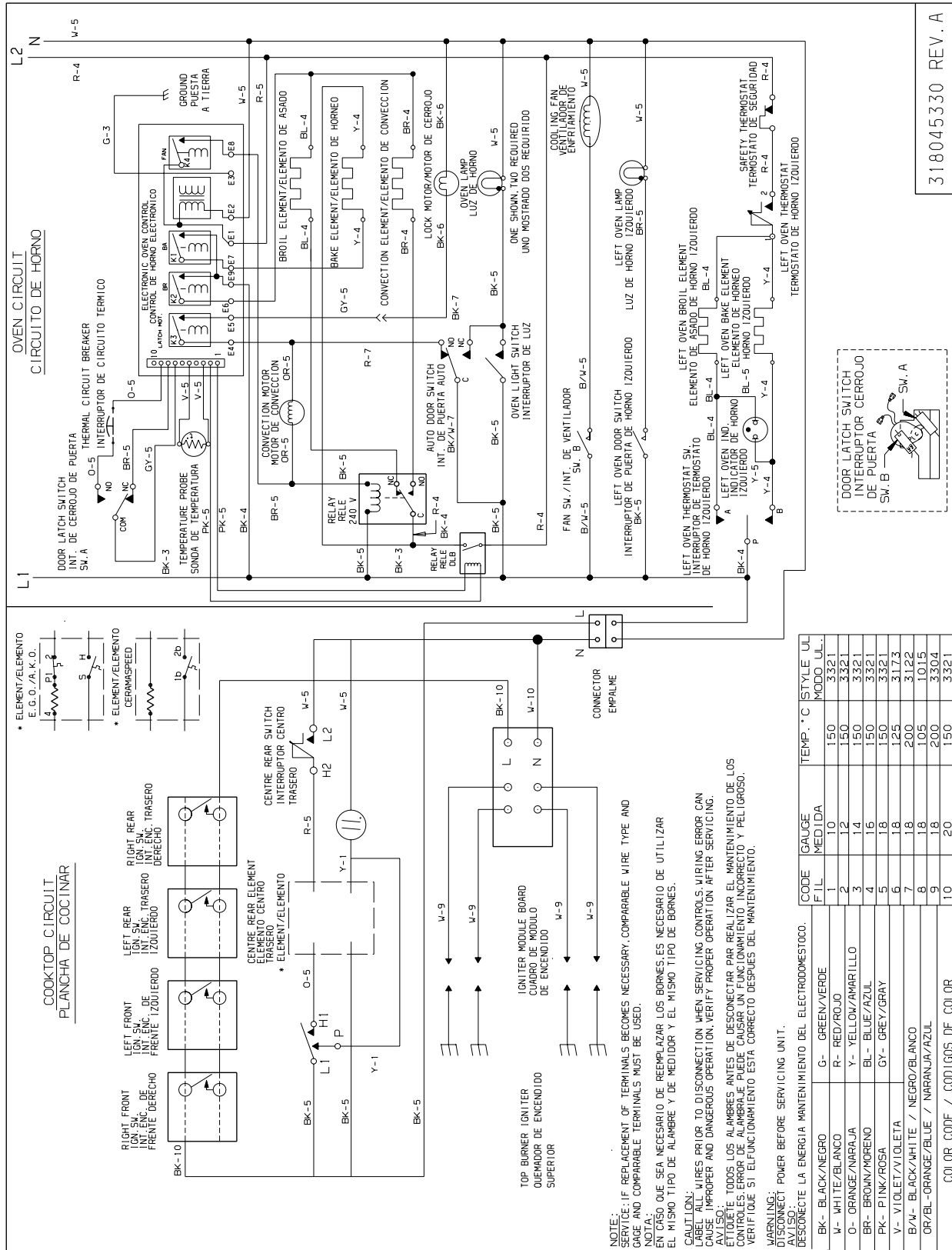
LA00D81596-2B

OVEN DOOR

Model Index: A PLCF489C (PLCF489CCE)
 B PLCF489C (PLCF489CCF)

POS. NO	PART NO.		DESCRIPTION
6	318057020	A B	Shield, insulation, door
7	318285050	A B	Insulation, oven door
7A	318285096	A B	Insulation, oven door
9	318156911	A B	Door, inner
12	318253002	A B	Gasket, oven door seal
13	318187922	A -	Stainless Panel, oven door, w/glass & nmpit
13	318187927	- B	Stainless Panel, oven door, w/glass & nmpit
15	318172904	A B	Support, wire
16	318041603	A B	Panel, glass, inner oven door
17	318042102	A B	Spacer, glass
18	318293501	A B	Gasket, door glass seal
22	5303310511	A B	Bar, glass retainer
23	318024721	A B	Hinge, lower door, (2)
23*	3201899	A B	Washer, flat
29	318147412	A B	Bumper, base
31	5303310536	A B	Latch, oven door
39	318039801	A B	Handle, door, stainless steel, oven
54	5303300265	A B	Screw, 8-18 X 1/2, (2)
60	5304400794	A B	Screw, handle mtg, 10-32 x 3/4
*	316221001	A B	Label, anti-tip
*	318163602	A B	Cleaner, stainless steel
*	08016432	A B	Screw, truss head, 8-18 x 0.375
*	5303211311	A B	Screw, 8 x 0.500
*	5303307980	A B	Screw, 8-32 x 0.437, (4)

WIRING DIAGRAM



318045330 REV. A