

BOSCH 5000 SERIES WALL OVENS
Use and Care Manual

BOSCH

YOUR LIFE. OUR INSPIRATION.



Table of Contents

Important Safety Instructions	1	Convection Broil	10
Getting Started		Convection Roast	11
To Set the Clock:	2	Dehydrate.....	12
To Use the Oven Lights:.....	2	Self-Cleaning.....	13
Oven Parts and Accessories:	3	Maintenance	
Oven Control Panel.....	4	To Replace a Light Bulb	15
Command buttons.....	4	Cleaning	15
Display	4	Removing the Oven Door.....	16
Knobs.....	4	Do-It-Yourself Procedures	
Other Features.....	4	To Activate Sabbath Mode.....	17
General Oven Tips		To Change Clock Format	17
Suggestions for Use.....	5	To Change Temperature Format	17
Advantages of Convection Cooking	5	To Change Temperature Calibration	17
About Convection Cooking*	5	To Change Operating Voltage.....	17
Oven Operation Overview:	5	Self Help	
Preheating the Oven.....	5	Baking.....	18
Bakeware	5	Operation	19
Oven Racks.....	6	Problem Solving Steps	19
Selecting the Rack Position	6	Service Data Record	20
Using Multiple Racks.....	6	Obtaining Service	19
Condensation.....	7	Warranty	20
Temperature Sensor	7		
High Altitude Baking.....	7		
Food Serving Temperature Guidelines	7		
Setting the Oven			
To Set the Cooking Mode:	8		
To Set the Timer:	8		
To Set the Cooking Mode using Fast Preheat:	8		
Timed Cooking Modes	8		
To Set the Timed Mode:.....	8		
To Set the Delayed Mode:	8		
Oven Modes			
Bake	9		
Convection Bake	9		
Broil	10		

Important Safety Instructions

Please read all instructions before using this appliance.

When properly cared for, your new Bosch oven has been designed to be a safe, reliable appliance.

Read all instructions carefully before using this oven. These precautions will reduce the risk of burns, electric shock, fire and injury to persons. When using kitchen appliances, basic safety precautions must be followed, including the following:

- This appliance must be properly installed and grounded by a qualified technician. Connect only to properly grounded outlet. See electric preparation and connection instructions in the Installation Instructions.
- This appliance should be serviced only by a qualified service technician. Contact the nearest authorized service center for examination, repair or adjustment.
- Do not repair or replace any part of the oven unless specifically recommended. Refer service to an authorized service center.
- Do not operate this appliance if it is not working properly or if it has been damaged, until an authorized technician has examined it.
- Install or locate this appliance only in accordance with the Installation Instructions.
- Use this oven only as intended by the manufacturer. If you have any questions, contact the manufacturer.
- Do not cover or block any openings on this appliance.
- Use this appliance only for its intended use as described in this manual. Do not use corrosive chemicals, vapors, or nonfood products in this appliance. This type of oven is specifically designed to heat or cook. It is not designed for industrial or laboratory use. The use of corrosive chemicals in heating or cleaning will damage the appliance.
- In the event that personal clothing or hair catches fire, DROP AND ROLL IMMEDIATELY to extinguish flames.
- This oven is intended for residential use only. It is not approved for outdoor use.

REGARDING PET BIRDS

Birds have very sensitive respiratory systems. Keep pet birds out of the kitchen or other rooms where kitchen fumes could reach them. During Self-Clean mode, fumes that may be harmful to birds are released. Other kitchen fumes, such as from overheating margarines and cooking oils, may also be harmful.

- Do not allow children to use this appliance unless closely supervised by an adult. Children and pets should not be left alone or unattended in the area where the appliance is in use. Never allow children to sit or stand on any part of the oven.
- Do not store items of interest to children above the oven. If children should climb onto the appliance to reach these items, they could be seriously injured.

To reduce the risk of fire in the oven cavity:

1. Do not store flammable materials in or near the oven.
2. Do not use water on a grease fire. Smother fire or use a dry chemical or foam-type extinguisher.
3. Have a fire extinguisher readily available and highly visible next to any cooking appliance. Be sure you know how to use it.
4. Do not overcook food. Carefully attend oven if paper, plastic or other combustible materials are placed inside the oven.
5. Do not use the cavity for storage purposes. Do not leave paper products, cooking utensils or food in the cavity when not being used.
6. If materials inside the oven should ignite, keep oven door closed. Turn oven off and disconnect the circuit at the circuit breaker box.
7. Do not block any vent openings.
8. Be sure the blower fan runs when the oven is in operation. If the fan does not operate, do not use the oven. Call an authorized service center.
9. Never use the oven to warm or heat a room. This can damage the oven parts.
10. For personal safety, wear proper clothing. Loose fitting garments or garments with hanging sleeves should never be worn while using this appliance.



WARNING

The California Safe Drinking Water and Toxic Enforcement Act requires businesses to warn customers of potential exposure to substances which are known by the State of California to cause cancer or reproductive harm.

The elimination of soil during self-cleaning generates some by-products which are on this list of substances.

To minimize exposure to these substances, always operate this oven according to the instructions in this manual and provide good ventilation to the room during and immediately after self-cleaning the oven.

Continued on next page



Important Safety Instructions

Please read all instructions before using this appliance.

SAFETY PRECAUTIONS

- Tie long hair so that it doesn't hang loose.
- The heating elements may be hot even though they are dark in color. Interior surfaces of an oven become hot enough to cause burns.
- During and after use, do not press or let clothing or other flammable materials contact the heating elements or the interior surfaces of the oven until they have had sufficient time to cool.
- The trim on the top and sides of the oven door may become hot enough to cause burns.
- Use care when opening the door. Open the door slightly to let hot air or steam escape before removing or replacing food.
- Do not heat unopened food containers. Buildup of pressure may cause the container to burst and result in injury.
- Always place oven racks in desired location while oven is cool. If a rack must be moved while oven is hot, do not let potholder contact the heating elements.
- Use only dry potholders. Moist or damp potholders on hot surfaces may result in burns from steam. Do not let potholders touch hot heating elements. Do not use a towel or other bulky cloth.

SAFETY PRECAUTIONS WITH SELF-CLEANING OVEN

- Confirm that the door locks and will not open once the door lock icon appears. If door does not lock, press OVEN OFF and do not run Self-Clean. Phone 800-944-2904 for service (see page 19 for obtaining service).
- Note: During a normal Self-Clean and a Delayed Self-Clean cycle, the door locks within 25 to 30 seconds after start is pressed.
- Do not clean the door gasket. It is essential for a good seal. Care should be taken not to rub, damage, move or remove the door gasket.
- Do not use commercial oven cleaners or oven liner protective coatings of any kind in or around any part of the oven.
- Clean only oven parts listed in this manual.
- Before self-cleaning the oven, **remove the broiler pan, all oven racks, other utensils and excess soft spillage.**
- Listen for fan. If no fan is heard, call for service. See page 19.

Getting Started

To Set the Clock:

1. **Press SET CLOCK.** The hours flash and **CLOCK** appears in the display.
2. **Press +** or **-** to set hour.
3. **Press SET CLOCK.** The minutes flash.
4. **Press +** or **-** to set minutes.
5. **Press SET CLOCK**

The clock appears in the display at all times except when the timer or a timed cooking operation is running.

To Use the Oven Lights:

1. **Press LIGHT** to turn the oven lights on or off.
In double ovens, the lights in both ovens will turn on or off together. To control the lights in one oven only:
 1. **Press UPPER/LOWER** to select the oven
 2. **Press LIGHT** to turn lights on or off.

Oven lights turn on automatically when:

- the door is opened.
- the oven is turned on.

Oven lights will turn off automatically when:

- the oven is turned off.
- the oven mode is cancelled.

The lights do not operate in the Self-Clean mode.

Getting Started

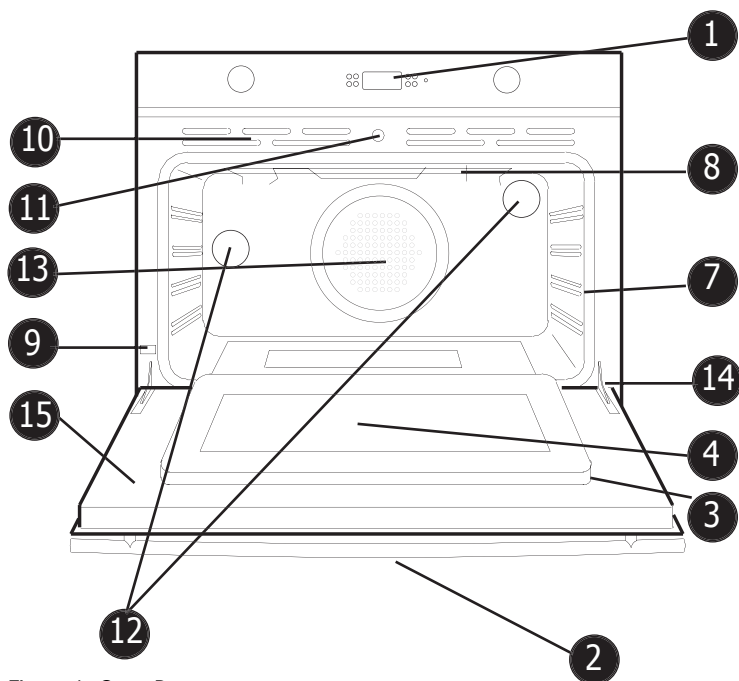


Figure 1: Oven Parts

Oven Parts and Accessories:

- | | |
|--|--|
| 1 Control Panel | 10 Oven Cooling Vents (both ovens) |
| 2 Door Handle | 11 Automatic Door Lock Latch (one per oven) |
| 3 Oven Door Gasket (one per oven) | 12 Halogen Oven Lights (2 in each oven) |
| 4 Window | 13 Convection Fan and Cover (one per oven) |
| 5 Removable Oven Racks; 2-5 depending on oven model (not shown) | 14 Door Hinge |
| 6 Broil Pan and Grid (not shown) | 15 Removable Oven Door |
| 7 Rack Position Guides (4 in each oven) | 16 Literature Pack |
| 8 Broil Element (one in each oven) | |
| 9 Data Plate | |

Getting Started

Oven Control Panel

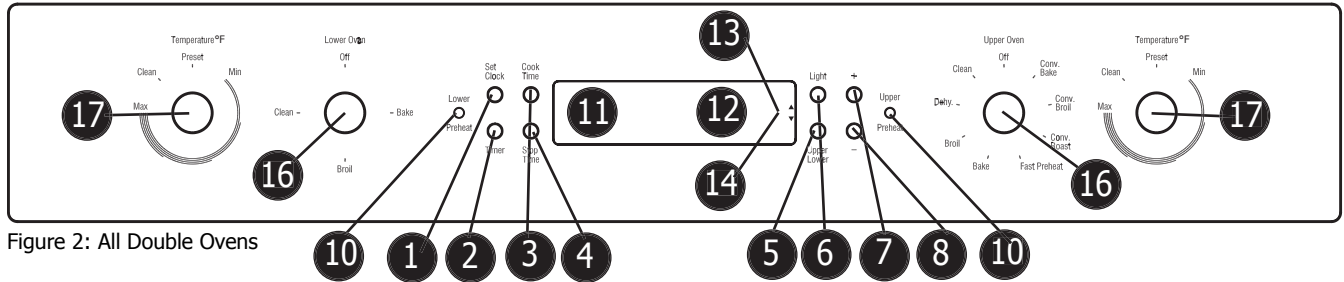


Figure 2: All Double Ovens



Figure 3: HBL504 and HBN54 Model Single Ovens



Figure 4: HBL503 Model Single Ovens

Command buttons

- SET CLOCK:** Press to set or change the time of day.
- TIMER:** Press to set or clear the timer.
- COOK TIME:** Press to set a timed cook mode.
- STOP TIME:** Press to set the stop time in a delayed cook mode.
- UPPER LOWER** (Double ovens only): Press to select upper or lower oven before setting lights, etc.
- LIGHT:** Press to turn oven lights on or off.
- +**: Press to increase the time in one of the above functions by one minute at a time. Press and hold to increase by 10 minutes at a time
- : Press to decrease the time in one of the above functions by one minute at a time. Press and hold to increase by 10 minutes at a time.
- LOCK:** For single ovens, press and hold lock and + buttons at same time to turn safety lock on or off. For double ovens, press and hold + and - buttons to turn safety lock on or off (use Upper Lower button to select oven first). This function locks the oven door for safety purposes.

Display

- PREHEAT LIGHT** (one for each oven): Lights up when oven is preheating
- TIME:** Green digits to left of display. Displays time of day and timer.
- TEMPERATURE:** Red digits to right of display. Displays the chosen temperature for the oven.

- BOX ICONS** (double ovens only): Green icon shows which oven is active.
- LOCK ICONS:** Red icons display inside box icons. Indicates that door is locked.
- DISPLAY TEXT:** Indicates active functions (steady) and functions awaiting user input (blinking).

Knobs

- MODE** (one for each oven): turn to choose cooking mode.
- TEMPERATURE** (one for each oven): turn to change oven temperature. When **PRESET** is selected, the default temperature is used.

Other Features

- BEEPS:** One beep signals that the entry is accepted, two beeps signals that the entry is invalid.
- F NUMBER CODES:** Appear in display when the control detects a problem in the oven or its electronics. See Self Help section, page 19, for more information.
- DEFAULT TEMPERATURES:** Each cooking mode has a default temperature that appears when the temperature knob is turned to **PRESET**. The default is the most common temperature for the mode.
- SABBATH MODE:** When activated, oven bakes for 72 hours before shutting off automatically. The mode is Sabbath compliant for religious faiths with "no work" requirements on the Sabbath.

General Oven Tips

Suggestions for Use

- Use the cooking charts as a guide.
- Do not set pans on an open oven door.
- Use the interior oven light to view the food through the oven door window rather than opening the door frequently.
- Place pans in center of oven.

Advantages of Convection Cooking

- Even baking.
- Juices and flavors are sealed in.
- Air-leavened foods such as cream puffs, souffles, meringues and yeast breads are higher and lighter.
- Multiple rack cooking with no flavor transfer.
- No special bakeware required.
- Broiling thicker cuts of meat is possible with convection broil.
- Saves time and energy.

About Convection Cooking*

Standard cooking modes (bake, broil, etc.) use heat radiated from one or more elements to cook food. Convection modes use both heat from the elements and a fan in the back of the oven to continuously circulate the heated air throughout the oven.

The result is faster, more even cooking. Convection modes seal in natural moisture and flavors and can also save time and energy since most foods can be cooked at lower temperatures and in less time (never reduce temperature when cooking meat).

Cook time is also reduced because multiple racks can be used at one time. Cook several sheets of cookies or several different dishes at the same time.

The oven also uses convection to dehydrate. The low heat from the elements is circulated through the oven by the convection fan to slowly remove moisture.

Refer to "Oven Modes" in this manual for further information on each convection mode.

Preheating the Oven

- Preheat the oven when using the bake and convection bake modes unless the recipe recommends otherwise.
- Use fast preheat mode to shorten preheat time.
- Selecting a higher temperature does not shorten the preheat time.
- Preheating is necessary for good results when baking cakes, cookies, pastries and breads.
- Place oven racks in their proper position before preheating.
- During preheat, the selected cooking temperature is displayed.
- A beep will confirm that the oven is preheated and the preheat light will turn off.
- When operating on 208 V, preheat time may be slightly longer.

Bakeware

- Glass baking dishes absorb heat. Reduce oven temperature 25° F when baking in glass.
- Use pans that give the desired browning. The type of finish on the pan will help determine the amount of browning that will occur.
- Shiny, smooth metal or light nonstick/anodized pans reflect heat, resulting in lighter, more delicate browning. Cakes and cookies require this type of bakeware.
- Dark, rough or dull pans will absorb heat resulting in a browner, crisper crust. Use this type for pies.
- For brown, crisp crusts, use dark nonstick/anodized or dark, dull metal utensils or glass bakeware
- Insulated baking pans may increase the length of cooking time.
- Do not cook with the empty broiler pan in the oven as this could change cooking performance. Store the broil pan outside of the oven.
- Use baking sheets that are 19"x14" or smaller for best results.

Oven Operation Overview:

Operation of the oven is through knobs and command buttons on the control panel.

Single oven models have one mode knob. Double oven models have two mode knobs (one for each oven).

Single oven models have one temperature knob. Double oven models have two temperature knobs.

The command buttons allow you to set the clock, the timer, the cook time (for timed and delayed cooking), the stop time (for delayed cooking) the oven lights and the child safety lock.

See the Control Panel/Display and Oven Operation sections for further details.

*HBL503 models do not have convection features.

General Oven Tips

Oven Racks

- The oven has rack guides at four levels as shown in the illustration on [page 7](#). Rack positions are numbered from the bottom rack guide (#1) to the top (#4).
- Check cooking charts for best rack positions to use when cooking.
- Make sure that the racks are level once they are in position.
- The racks are designed to stop when pulled forward to their limit.
- CAUTION! Never use aluminum foil to cover the oven racks or to line the oven. Heat trapped under the foil can cause damage to the oven liner.



CAUTION: To avoid possible burns, place oven racks in desired positions before turning the oven on. Always use oven mitts when the oven is warm.

Removing from oven: Grasp rack firmly on both sides and pull rack toward you. When the stop is reached, tilt rack up and pull the rest of the way out.

Replacing in oven: Grasp rack firmly on both sides. Tilt rack up to allow stop into rack holder. Bring rack to a horizontal position and press the rest of the way in. Rack should be straight and flat, not crooked.

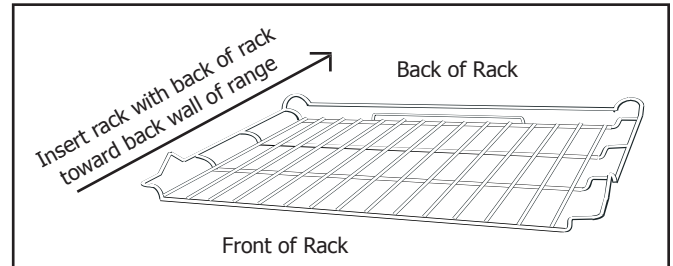


Figure 5: The Flat Rack

Selecting the Rack Position

See graphic at right.

Rack 4 - Highest position. Use for melting cheese quickly.

Rack 3 - Use for broiling most meats and for toasting bread.

Rack 2 - Use for pies, casseroles, breads, bundt or pound cakes, small roasts or poultry. Also use for broiling thicker cuts of meat.

Rack 1 - Lowest Position. Use for angel food cake, large roasts and turkey.

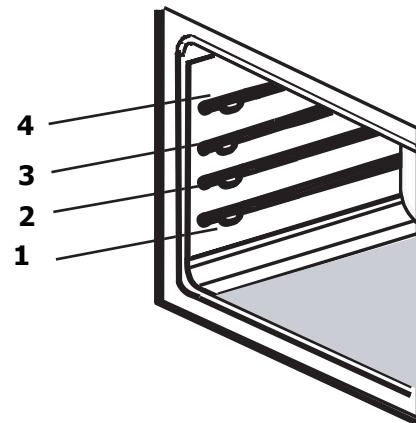


Figure 6: Rack Positions

Using Multiple Racks

2 Rack baking: Use positions 1 and 3.

3 rack baking: Use positions 2, 3 and 4.

When baking four cake layers at the same time, stagger pans so that one pan is not directly above another. For best results, place cakes on front of upper rack and back of lower rack (See graphic at right). Allow 1" - 1 1/2" air space around pans.

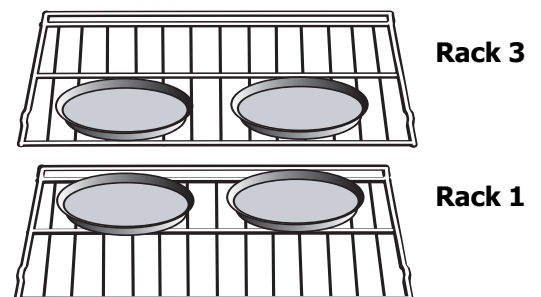


Figure 7: Multiple Rack Pan Placement

General Oven Tips

Condensation

The oven vent is located above the oven door. It is normal to see steam escaping from the vent and condensation may collect on areas above the vent such as the display.

Temperature Sensor

Your new oven has an electronic temperature sensor that accurately maintains the temperature selected. Your previous oven may have had a mechanical thermostat that drifted gradually to a higher temperature. As a result, you may need to adjust your favorite recipes when cooking in your new oven.

High Altitude Baking

When cooking at high altitude, recipes and cooking time will vary from the standard. For accurate information, write the Extension Service, Colorado State University, Fort Collins, Colorado 80521. There may be a charge for the bulletins.



CAUTION:

Many factors affect cooking performance. Always check food for doneness before serving

Table 1: Food Temperature Guidelines

Food Serving Temperature Guidelines from FSIS (USDA Food Safety & Inspection Service)	
140° F (60° C) <ul style="list-style-type: none">• Ham, precooked (to reheat)	165° F (74° C) <ul style="list-style-type: none">• Ground Meat & Meat Mixtures (Turkey, Chicken)• Stuffing (cooked alone or in bird)• Leftovers & Casseroles
145° F (63° C) <ul style="list-style-type: none">• Fresh Beef, Veal, Lamb (medium rare)	170° F (77° C) <ul style="list-style-type: none">• Fresh Beef, Veal, Lamb (well done)• Poultry breasts• Fresh Pork (well done)
160° F (71° C) <ul style="list-style-type: none">• Ground Meat & Meat Mixtures (Beef, Pork, Veal, Lamb)• Fresh Beef, Veal, Lamb (medium)• Fresh Pork (medium)• Fresh Ham (raw)• Egg Dishes	180° F (82° C) <ul style="list-style-type: none">• Chicken and Turkey, (whole)• Poultry (thighs and wings)• Duck and Goose

Note: Eggs (alone, not used in a recipe) - cook until yolk & white are firm.

Setting the Oven

To Set the Cooking Mode:

1. Turn **mode knob** to select cooking mode.
2. Turn **temperature knob** to select temperature. Select **PRESET** to use the default temperature.

Red preheat light, oven light and oven fan turn on as oven preheats. When the preheat temperature is reached, the red preheat light goes out and the oven beeps.

To Set the Timer:

1. Press **TIMER**. **TIMER** appears in the display.
2. Press **TIMER** again. The hours flash.
3. Press **+** or **-** to set hours.
4. Press **TIMER**. The minutes flash.
5. Press **+** or **-** to set minutes.
6. Press **TIMER**.

Beeps sound when the time ends.

TIP:

Hold the **+** or **-** key down to change time by 10 minute increments.

To Set the Cooking Mode using Fast Preheat:

1. Turn **mode knob** to **FAST PREHEAT**.
2. Turn **temperature knob** to select temperature. Red preheat light, oven light and oven fan turn on as oven preheats. When the preheat temperature is reached, the red preheat light goes out and the oven beeps.
3. Turn **knob to select cooking mode**.
4. Place food in oven.

REMINDER!

When using **fast preheat**, you must **select the cooking mode** after preheat and before placing food in the oven.

Timed Cooking Modes

Use timed cook to turn the oven off automatically after cooking. Delayed cook also turns the oven on automatically.

- In double oven models, both ovens can be set to operate on independent timed modes.
- The clock is set to the correct time of day.
- The timed mode turns off the oven at the end of the cook time.

To Set the Timed Mode:

1. Turn **knobs** to select the mode and temperature.
2. Press **COOK TIME** twice. The hours flash.
3. Press **+** or **-** to set number of hours.

Note: Time required for the oven to reach temperature must be included in the set cooking time.

4. Press **COOK TIME** again. Minutes flash.
5. Press **+** or **-** to change the number of minutes.
6. Press **COOK TIME** to confirm cooking time.

At the end of the programmed cooking time, the oven will automatically turn off.

To Set the Delayed Mode:

1. Follow steps 1 through 6.
2. Press **STOP TIME** twice. **DELAY** appears in the display. **STOP TIME** and the **hours** flash.
3. Press **+** or **-** to change the hours.
4. Press **STOP TIME** again. Minutes flash.
5. Press **+** or **-** to change the minutes.
6. Press **STOP TIME** to confirm stop time.

The oven automatically calculates the time of day to start.

At the end of the programmed cooking time, the oven turns off. Display shows **END** and the oven beeps. Reminder beeps sound and **COOK TIME** flashes.

TIP:

Press **COOK TIME** to view **timed mode** information.

Press **STOP TIME** to view **delayed mode** information.

Press **TIMER** to view **timer**.

Oven Modes

Bake

Baking is cooking with dry, heated air. Both the upper and lower elements cycle to maintain the oven temperature:

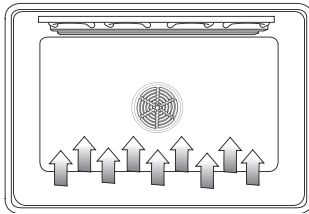


Figure 8: Bake

The bake mode can be used to prepare a variety of food items, from pastries to casseroles. It can also be used to roast meats.

For Best Results:

- When baking on two or more racks, use convection bake instead.

Convection Bake

Convection baking is similar to baking. In this case, heat comes from a third element behind the backwall. The main difference in convection baking is that the heat is circulated throughout the oven by the convection fan:

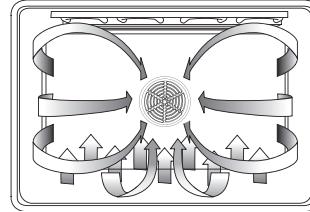


Figure 9: Convection Bake

The convection bake mode is well-suited for baking large quantities of food on multiple racks. It can be used to prepare cookies, pastries, breads, snack foods and appetizers among other items. **DO NOT** use convection bake for meats. Use convection roast instead.

The benefits of convection baking include:

- Slight decrease in cooking time
- Three rack cooking
- Higher volume (yeast items rise higher)
- More items cooked at once

For Best Results:

- Reduce recipe temperature by 25° F. Refer to the convection baking chart for examples.
- Place food in low-sided, uncovered pans such as cookie sheets without sides.
- Center baking pans side to side on the oven rack.
- Do not use convection bake for custards, quiches, pumpkin pie, or cheesecakes. These items do not benefit from the convection-heating process. Use standard bake instead.

Table 2: Convection Bake Chart

Food Item	Rack Position	Temp.* (preheated oven) (F°)	Convection Bake Time** (min)
Cake			
Cupcakes	2	325	17-19
Bundt Cake	1	325	37-43
Angel Food	1	325	35-39
Pie			
2 crust, fresh, 9"	2	350 - 400	45-55
2 crust, frozen fruit, 9"	2	350	68-78
Cookies			
Sugar	2	325 - 350	6-11
Chocolate Chip	2	325 - 350	8-13
Brownies	2	325	29-36
Breads			
Yeast bread, loaf, 9x5	2	350	
Yeast rolls	2	350 - 375	18-22
Quick Bread, loaf, 8x4	2	325 - 350	12-15
Biscuits	2	350 - 375	11-15
Muffins	2	400	15-19
Pizza			
Frozen	2	375 - 425	23-26
Fresh	2	400 - 425	12-15

* The convection bake temperature is 25° F less than recommended on packages or recipes. The temperature in this chart has been reduced 25° F.

** This chart is a guide. Actual times depend on the mixes or recipes baked. Follow recipe or package directions and reduce temperature appropriately.

*** When convection baking on two racks, use positions one and three. When using three racks, use positions two, three and four.

Quick Cooking Tips: Converting from standard bake to convection bake

- Reduce recipe temperature by 25° F.
- Check food for doneness early:

If recipe calls for ...	Check food ...
1 - 15 min.	3 min. early
16 - 30 min.	5 min. early
31 min. - 1 hr.	10 min. early

Oven Modes

Broil

Broiling uses intense heat radiated from the upper element:

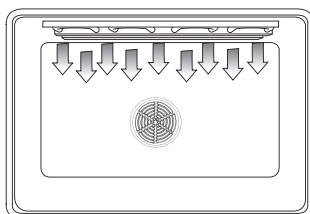


Figure 10: Broil

The broil mode is best suited to cooking thin, tender cuts of meat (1" or less), poultry and fish. It can also be used to brown breads and casseroles.

The benefits of Broiling include:

- Fast and efficient cooking.
- Cooking without the addition of fats or liquids.
- Browning as the food cooks.

For Best Results:

- Do not preheat oven.
- Steaks and chops should be at least 3/4" thick.
- Brush fish and poultry with butter or oil to prevent sticking.
- Use the broil pan and grid included with your oven.
- Do not cover the broiler grid with foil. It is designed to drain fats and oils away from the cooking surface to prevent smoking and spattering.
- Turn meats once halfway through the recommended cooking time (see broil chart for examples).
- When top browning casseroles, use only metal or glass ceramic dishes such as Corningware®.
- Never use heat-proof glass (Pyrex®); it cannot tolerate the high temperature.

ALWAYS BROIL WITH THE DOOR CLOSED

Table 3: Broil Chart

Food and Thickness	Rack Position	Broil Setting	Internal Temp. (°F)	Time Side 1 (min)*	Time Side 2 (min)*
Beef Steak (3/4" - 1")					
Medium Rare	3	5	145	5-7	4-6
Medium	3	5	160	6-8	5-7
Well	3	5	170	8-10	7-9
Hamburgers (3/4" - 1")					
Well	3	5	160	7-9	5-7
Poultry Breast (bone-in)	3	3	170	14-16	14-16
Thigh	3	3	180	14-16	11-13
Pork Pork Chops (1")	3	5	160	7-9	5-7
Sausage - fresh	3	5	160	5-7	3-5
Ham Slice (1/2")	3	5	160	3-5	4-6
Seafood Fish Filets, 1" Buttered	3	4	Cook until opaque & flakes easily with fork	10-14	Do not turn
Lamb Chops (1")					
Medium Rare	3	5	145	5-7	4-6
Medium	3	5	160	6-8	5-7
Well	3	5	170	8-10	7-9
Bread Garlic Bread, 1" slices	3	5		4-6	

Convection Broil

Convection broil is similar to broil. It combines the intense heat from the upper element with heat circulated by the convection fan:

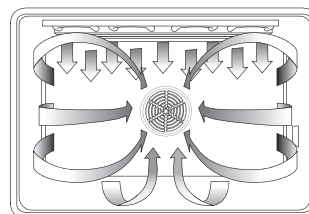


Figure 11: Convection Broil

The convection broil mode is well suited for cooking thicker, tender cuts of meat, poultry and fish. Convection Broil is typically not recommended for browning breads, casseroles and other foods.

The benefits of Convection Broiling, in addition to the benefits of standard broiling, include:

- Faster cooking than standard Broiling.

For Best Results:

- Do not preheat oven.
- Meats should be at least 1 1/2" thick.
- Turn meats once halfway through the cooking time (See Convection Broil Chart for examples).
- Use the broil pan and grid included with your oven.
- Do not cover the broiler grid with foil. It is designed to drain fats and oils away from the cooking surface to prevent smoking and spattering.
- Salt after cooking.

ALWAYS CONVECTION BROIL WITH THE DOOR CLOSED

Table 4: Convection Broil Chart

Food and Thickness	Rack Position	Broil Setting	Internal Temp. (°F)	Time Side 1 (min)*	Time Side 2 (min)*
Beef Steak (1-1/2" or more)					
Medium Rare	2	450	145	12-14	11-13
Medium	2	450	160	15-17	13-15
Well	2	450	170	18-20	16-17
Hamburgers (more than 1")					
Well	3	550	160	11-13	8-10
Poultry Chicken Quarters	3	450	180 (thigh)	13-15	10-12
Chicken Breasts	3	450	170	14-16	12-14
Pork Pork Chops (1 1/4" or more)	2	450	160	12-14	13-15
Sausage - fresh	3	450	160	4-6	3-5

*Broiling and convection broiling times are approximate and may vary slightly.

Oven Modes

Convection Roast

Convection roast uses heat from the top and bottom elements as well as heat circulated by the convection fan:

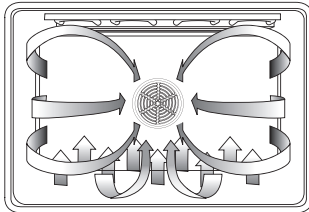


Figure 12: Convection Roast

The convection roast mode is well suited to preparing tender cuts of meat and poultry.

The benefits of convection roasting, include:

- As much as 25% faster cooking than standard Roasting/ Baking
- Rich, golden browning

For Best Results:

- Use the same temperature as indicated in the recipe.
- Check doneness early as roasting time may decrease by as much as 25%. Refer to convection roast chart for examples.
- Do not cover meat or use cooking bags.
- Use the broil pan and grid provided with the oven for roasting. A low-sided, uncovered pan can also be used.
- Use a meat thermometer to determine the internal temperature of the meat.
- If the meat is browned to your liking, but is not yet done, a small strip of foil can be placed over the meat to prevent overbrowning.
- Let meat stand covered with foil 10-15 minutes after removing from the oven.

Table 5: Convection Roast Chart

Meats	Weight (lb)	Oven Temp. (°F)	Rack Position	Roasting Time* (min per lb)	Internal Temp. (°F)
Beef Rib Roast	4 - 6	325	2	24-30 27-33	145 (med rare) 160 (medium)
Rib Eye Roast, (boneless)	4 - 6	325	2	22-30 27-33	145 (med rare) 160 (medium)
Rump, Eye, Tip, Sirloin (boneless)	3 - 6	325	2	22-28 27-33	145 (med rare) 160 (medium)
Tenderloin Roast	2 - 3	425	2	15-25	145 (med rare)
Pork Loin Roast (boneless or bone-in)	5 - 8	350	2	20-30	160 (medium)
Shoulder	3 - 6	350	2	25-35	160 (medium)
Poultry Chicken - whole	3 - 4	375	2	12-18	180
Turkey, unstuffed**	12-15	325	1	10-14	180
Turkey, unstuffed**	16-20	325	1	9-11	180
Turkey, unstuffed**	21-25	325	1	6-10	180
Turkey Breast	3 - 8	325	1	15-20	170
Cornish Hen	1 - 1 ½	350	2	45-75 total	180
Lamb Half Leg	3 - 4	325	2	25-30 30-35	160 (medium) 170 (well)
Whole Leg	6 - 8	325	1	25-30 30-35	160 (medium) 170 (well)

*Roasting times are approximate and may vary depending on the shape of the meat. They are based on thawed meats.

**Stuffed turkey requires additional roasting time. The minimum safe temperature for stuffing in poultry is 165° F

Quick and Easy Cooking Tips: Converting from standard bake to convection roast

- DO NOT change recipe temperature.
- Use roasting times in chart at right.

Oven Modes

Dehydrate

Dehydrate dries foods with heat from a third element behind the back wall of the oven. The heat is circulated throughout the oven by the convection fan.

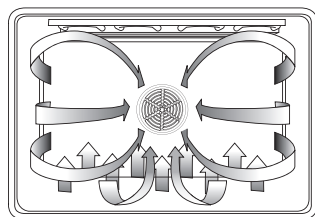


Figure 13: Dehydrate

Dehydrating is used to dry and/or preserve foods such as fruits, vegetables and herbs. This mode holds an optimum low temperature (120° F - 160° F) while circulating the heated air to slowly remove moisture.

For Best Results:

- Dry herbs at 120° F. Dry most fruits and vegetables at 140° F . (Refer to the dehydrate chart for examples).
- Drying times vary depending on the moisture and sugar content of the food, the size of the pieces, the amount being dried and the humidity in the air. Check food at the minimum drying time.
- Multiple racks can be used simultaneously. Contact your Bosch dealer for drying racks.
- Treat fruits with antioxidants to avoid discoloration.
- Consult a food preservation book, county Cooperative Extension Office or library for additional information.

Table 6: Dehydrate Chart

Food	Preparation	Approximate Drying Time*(hrs)	Test for Doneness
Fruit Apples	Dipped in ¼ cup lemon juice and 2 cups water; ¼" slices	11-15	Slightly pliable
Bananas	Dipped in ¼ cup lemon juice and 2 cups water; ¼" slices	11-15	Slightly pliable
Cherries	Wash and towel dry. For fresh cherries, remove pits	10-15	Pliable, leathery, chewy
Orange Peels and slices	¼" slices of orange; orange part of skin thinly peeled from oranges	Peels: 2-4 Slices: 12-16	Orange peel: dry and brittle. Orange slices: skins are dry and brittle, fruit is slightly moist
Pineapple rings	Towel dried	Canned: 9-13 Fresh: 8-12	Soft and pliable
Strawberries	Wash and towel dry. Sliced ½ " thick, skin (outside) down on rack	12-17	Dry, brittle
Vegetables Peppers	Wash and towel dry. Remove membrane of peppers, coarsely chopped about 1" pieces	16-20	Leathery with no moisture inside
Mushrooms	Wash and towel dry. Cut off stem end. Cut into 1/8" slices	7-12	Tough and leathery, dry
Tomatoes	Wash and towel dry. Cut thin slices, 1/8" thick, drain well.	16-23	Dry, brick red color
Herbs Oregano, sage parsley and thyme, and fennel	Rinse and dry with paper towel	Dry at 120°F 3-5 hrs	Crisp and brittle
Basil	Use basil leaves 3 to 4 inches from top. Spray with water, shake off moisture and pat dry	Dry at 120°F 3-5 hrs	Crisp and brittle

Oven will stay on for 48 hours before shutting off automatically.

Self-Cleaning

During self-clean, the oven uses a very high temperature to burn away food soil and grease.

- As a safety feature, the oven door locks during self-clean to protect from very high temperatures. Do not try to open the oven during self-clean mode.
- Only one oven can be self-cleaned at a time. The second oven can be used while the other is self-cleaning.
- It is common to see smoke and/or an occasional flame-up during the self-clean mode, depending on the content and amount of soil remaining in the oven. If a flame persists, turn off the oven and allow it to cool before opening the door to wipe up the excessive food soil.
- The oven light does not operate when the oven is in the self-clean mode.
- Do not use commercial oven cleaners as they may damage finish or parts.
- Heat and odors are normal during the self-clean cycle. Keep the kitchen well ventilated.

NOTE: Due to the high temperatures used for self-cleaning, fine lines or surface roughness may develop in oven cavity. This is a common condition and does not affect either the cooking or the cleaning performance of the oven.

Before You Self-Clean

1. Hand clean the oven door edge, window, oven front frame and oven cavity edges (see figures below). They do not get hot enough during the cleaning cycle for soil to burn away. Use a soapy sponge, plastic scrubber or S.O.S.[®] pad. **DO NOT RUB THE GASKET.**
2. Wipe up large overspills and grease with paper towels.
3. Remove broiler pan, all utensils and bakeware.
4. **Remove oven racks.** If the oven racks are left in the oven during a self-cleaning cycle, they will lose their shiny finish and will not glide smoothly in the rack guides. See "Cleaning Oven Surfaces, page 15 for proper care .
5. Be sure the light is turned off on the control panel and the bulb and glass cover are in place.

After Self-Clean

- The self-clean mode may produce ash which will settle in the oven. If this happens, remove ash with a damp cloth before using the oven.
- Wipe rack edges with cooking oil to allow for proper glide. Wipe off excess.

IMPORTANT: Be sure to let the inside window glass in the oven door cool completely before wiping up any ash left from the clean cycle.

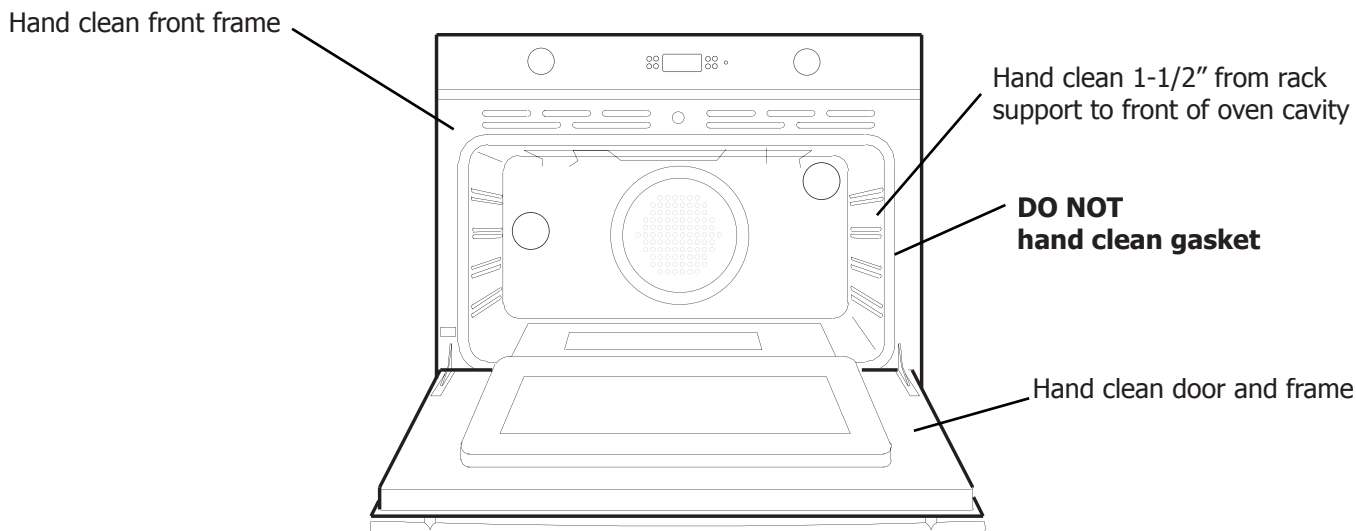


Figure 14: Before Self-Cleaning

Self-Cleaning

To Set the Self-Clean Mode:

1. Remove oven racks and close oven door.
2. **Turn both knobs to CLEAN.**

NOTE:

If the door is open when the self-clean mode is selected, the lock symbol will continue to flash. Self-clean will not start until the door is closed.

CLEAN and **TIME** appear in the display.

The oven will clean for three hours. At the end of the programmed cleaning time the oven will automatically turn off.

END will appear on the display. **CLEAN** and **TIME** will flash until any button is pressed or the knob is turned to **OFF**.

To Change the Clean Time

The preset clean time is three hours. For light soil, use two hours, for heavy soil use four hours.

1. Set self-clean mode as explained above.
2. **Press COOK TIME.**
3. **Press +** or **-** to change the number of hours.
4. **Press COOK TIME twice.**

To Delay the Start of the Clean

Note: The time of day must be accurate for the delay function to work properly.

1. Set self-clean mode as explained above.
2. Change clean time as explained above (if desired).
3. Set the time the oven will start self-cleaning:

Press STOP TIME twice.

Press + or **-** to set hours.

Press STOP TIME.

Press + or **-** to set minutes.

Press STOP TIME.

The oven door locks and **DELAY** appears in the display.

4. When the delay time ends, self-clean starts.

At the end of the programmed cleaning time, the oven will automatically turn off.

END will appear on the display. **CLEAN** and **TIME** will flash until any button is pressed or the knob is turned to **OFF**.

About the Door Lock:

Do not attempt to open the door while the door is locking.

Lock symbol will flash until the door is locked. When the lock symbol is displayed, the door cannot be opened.

Check that the door has been locked and will not open before starting self-clean mode.

If door does not lock, turn the mode knob to OFF position and do not start self-clean; phone 800-944-

TIP:

To check the **delayed clean time** press **COOK TIME**.

To check the **time remaining before the delayed mode starts**, press **STOP TIME**.

TO CANCEL:

To cancel the self-clean, turn knob to OFF. The oven door will remain locked until the oven has reached a safe temperature.

Cleaning Oven Surfaces

Table 7: Oven Surface Cleaning Methods

Surface	Cleaning Method
Racks pow(Oven) mode, rack	Wash with hot sudsy water. Rinse thoroughly and dry, or gently rub with cleansing der or soap filled pads as directed. If racks are cleaned in the oven during the self-clean they will lose their shiny finish and may not glide smoothly. If this happens, wipe the edges with a small amount of vegetable oil, then wipe off excess.
Fiberglass Knit (Gasket)	DO NOT HAND CLEAN GASKET.
Glass (Window, Display)	Wash with soap and water or glass cleaner. Use Fantastik® or Formula 409® to remove grease spatters and stubborn stains.
Painted paper (Exterior)	Clean with hot sudsy water or apply Fantastik® or Formula 409® to a clean sponge or towel and wipe clean. Avoid using powdered cleansers, steel wool pads and oven cleaners.
Porcelain (Interior)	Immediately wipe up acid spills like fruit juice, milk and tomatoes with a dry towel. Do not use a moistened sponge/towel on hot porcelain. When cool, clean with hot sudsy water or apply Bon-Ami® or Soft Scrub® to a damp sponge. Rinse and dry. For stubborn stains, gently use soap filled pads. It is normal for porcelain to craze (fine lines) with age due to exposure from heat and food soil.
Stainless Steel (Exterior)	Always wipe or rub with grain. Clean with a soapy sponge then rinse and dry, or wipe with Fantastik® or Formula 409® sprayed onto a paper towel. Protect and polish with Stainless Steel Magic® and a soft cloth. Remove water spots with a cloth dampened with white vinegar. Use Bar Keeper's Friend® to remove heat discoloration.
Plastic (Knobs, Controls)	When cool, clean with soapy water, rinse and dry.

Replacing the Oven Light

- Each oven is equipped with two halogen lights located in the back wall of the oven.
- The lights are switched on when the door is opened or when the oven is in a cooking cycle.
- The oven lights do not operate during self-clean.
- Each light assembly consists of a removable lens, a light bulb and a light socket housing that is fixed in place (see Figure 17, next page).

To replace a light bulb (see figure 17, next page):

1. Read WARNING on this page.
2. Turn off power at the main power supply (fuse or breaker box).
3. Unscrew lens and remove.
4. Pull straight out on light bulb to remove from socket.
5. Replace the bulb with a new one. Avoid pressing the bulb with fingers; Oils from hands can damage the bulb when it becomes hot
6. The bulb is halogen 12V - 20W.
7. Screw the lens back on.
8. Replace the fan cover (if applicable).
9. Turn power back on at the main power supply (fuse or breaker box).



WARNING

- Make sure the oven and lights are cool and power to the oven has been turned off before replacing the light bulb(s). Failure to do so could result in electrical shock or burns.
- The lenses must be in place when using the oven.
- The lenses serve to protect the light bulb from breaking.
- The lenses are made of glass. Handle carefully to avoid breaking. Broken glass could cause an injury.

Removing the Oven Door

WARNING

- Make sure oven is cool and power to the oven has been turned off before removing the door. Failure to do so could result in electrical shock or burns.
- The oven door is heavy and fragile. Use both hands to remove the oven door. The door front is glass. Handle carefully to avoid breaking.
- Grasp only the sides of the oven door. Do not grasp the handle as it may swing in your hand and cause damage or injury.
- Failure to grasp the oven door firmly and properly could result in personal injury or product damage.

WARNING

To avoid injury from hinge brackets snapping closed, be sure that both levers are securely in place before removing door. Also, do not force door open or closed - the hinge could be damaged and injury could result.

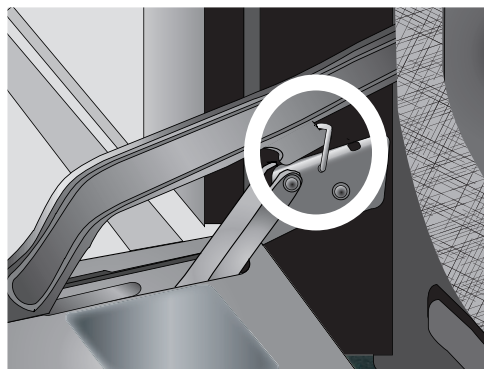


Figure 15: Hinge Bracket Locked Into Place

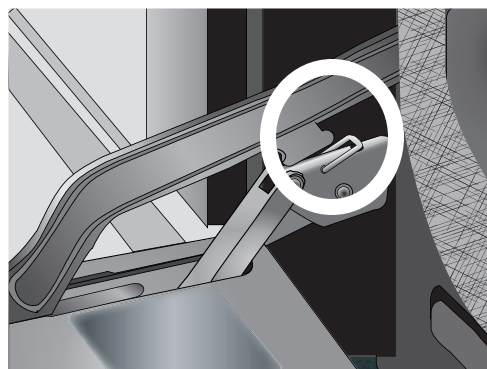


Figure 16: Hinge Bracket Released

To Remove The Oven Door:

1. Be sure to read the above WARNING before attempting to remove oven door.
2. Open door completely.
3. Lift hinge brackets (one on each side) into slots (see Figure 15).
4. Close door slightly until hinge brackets lock into place.
5. Close door about halfway (until it stops).
6. Grasp firmly on both sides.
7. Pull out and up. Place door in a stable location.

To Reinstall the Oven Door:

1. Holding door firmly on both sides, drop hinges down and into hinge slots.
2. Open door completely so that hinge brackets (one on each side) release.
3. Open and close the door slowly and completely to test the installation.

The door should close easily and be straight, not crooked.

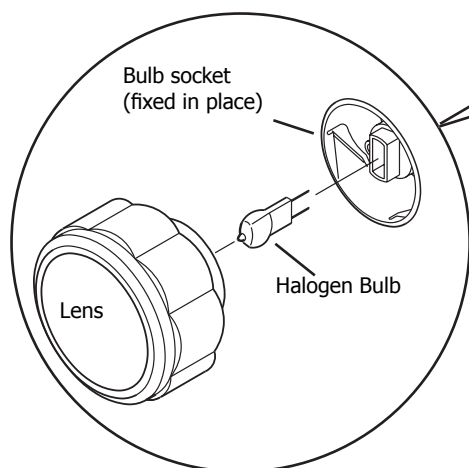
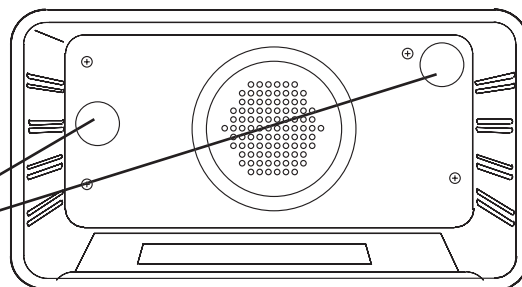


Figure 17: Oven Light



Do-It-Yourself Procedures

To Activate Sabbath Mode:

When activated, oven bakes for 72 hours before shutting off automatically. The mode is Sabbath compliant for religious faiths with "no work" requirements on the Sabbath.

1. **Touch and hold SET CLOCK** and **TIMER** until **SELE dEG** is shown.
2. **Press +** or **-** until **SAb** appears.
3. **Press SET CLOCK.**
4. **Press +** or **-** to select format (choose ON to activate Sabbath mode; choose OFF to turn it off).
5. **Hold SET CLOCK** until clock appears in display.
There is a five minute delay in which the following can be set:
6. **Turn knob** to **BAKE.**
7. **Turn knob** to set **TEMPERATURE.**
8. **Press LIGHT** to turn oven lights on or off.
9. Repeat steps 8-10 for second oven if desired (double ovens only).

After 5 minutes, the Sabbath mode is activated. The temperature no longer shows in the display. Only the time, "SAb" and the oven icon(s) are present. The preheat lights and all beeps are also disabled.

The oven lights cannot be changed after the Sabbath mode starts.

The Sabbath mode automatically cancels after 72 hours. To cancel the Sabbath mode early, turn the mode knob to **OFF.**

To Change Clock Format

The oven is preset with a 12-hour clock format; However, it can also display a 24-hour clock.

1. **Touch and hold SET CLOCK** and **TIMER** until **SELE dEG** is shown.
2. **Press +** or **-** until **Hr** appears.
3. **Press SET CLOCK.**
4. **Press +** or **-** to select format (choose 12 for 12-hour format; choose 24 for 24-hour format).
5. **Hold SET CLOCK** until clock appears in display.

To Change Temperature Format:

The oven has been preset to a Fahrenheit temperature format; However, it can also use a Celsius temperature format.

1. **Touch and hold SET CLOCK** and **TIMER** until **SELE dEG** appears.
2. **Press SET CLOCK.**
3. **Press +** or **-** to select format (choose °C for Celsius; choose °F for Fahrenheit).
4. **Hold SET CLOCK** until clock appears in display.

To Change Temperature Calibration:

The electronic thermostat has been carefully calibrated; However, if the browning results are too light or too dark for your preferences, you can raise or lower the setting.

1. **Touch and hold SET CLOCK** and **TIMER** until **SELE dEG** is shown.
2. **Press +** or **-** until **OFS** appears.
3. **Press SET CLOCK.**
4. **Press UPPER LOWER** to select oven (double ovens only).
5. **Press +** or **-** to set the number of degrees difference.
6. **Hold SET CLOCK** until clock appears in display.
NOTE: The available temperature offset range + or - 35°F. A change in the calibration affects all modes.

To Change Operating Voltage

The oven is preset for use with 240 VAC. If your residence has 208 VAC, the oven voltage can be changed.

208 V conversion must be done by a qualified technician. Contact your local appliance dealer or Bosch Service: 800-944-2904.

Self Help - Baking

Check the chart below for causes of the most common baking problems. Since the size, shape and material of baking utensils directly affect the baking results, the best solution may be to replace old baking utensils that have darkened and warped with age and use. Also check the convection baking chart on page 9, the rack position and the baking time.

Table 8: Self Help - Baking

Baking Problem	Cause
Food browns unevenly	<ul style="list-style-type: none"> - Oven not preheated - Aluminum foil on oven rack or oven bottom - Baking utensil too large for recipe - Pans touching each other or oven walls
Food too brown on bottom	<ul style="list-style-type: none"> - Oven not preheated - Using glass, dull or darkened metal pans - Incorrect rack position - Pans touching each other or oven walls
Food is dry or has shrunk excessively	<ul style="list-style-type: none"> - Oven temperature too high - Baking time too long - Oven door opened frequently - Pan size too large
Food is baking or roasting too slowly	<ul style="list-style-type: none"> - Oven temperature too low - Oven not preheated - Oven door opened frequently - Tightly sealed with aluminum foil - Pan size too small
Pie crusts do not brown on bottom or have soggy crust	<ul style="list-style-type: none"> - Baking time not long enough - Using shiny steel pans - Incorrect rack position - Oven temperature is too low
Cakes pale, flat and may not be done inside	<ul style="list-style-type: none"> - Oven temperature too low - Incorrect baking time - Cake tested too soon - Oven door opened too often - Pan size too large
Cakes high in middle with crack on top	<ul style="list-style-type: none"> - Baking temperature too high - Baking time too long - Pans touching each other or oven walls - Incorrect rack position - Pan size too small
Pie crust edges too brown	<ul style="list-style-type: none"> - Oven temperature too high - Edges of crust too thin

Self Help - Operation

Before calling for service, check the following:

Table 9: Self Help - Operation

Oven Problem	Problem Solving Steps
F03 or F04 Error appear in the display window.	A problem with the lock occurred. Turn power off and turn it back on again after a few seconds. The oven should run a latch auto-test. If condition persists, note the code number and call an authorized servicer.
Other F__ Error appears in the display window.	Turn power off and turn it back on again after a few seconds. If condition persists, note the code number and call an authorized servicer.
Cooling fan continues to run after oven is turned off	This is normal. The fan turns off automatically when the electronic components have cooled sufficiently.
Oven door is locked and will not release, even after cooling	Turn the oven off at the circuit breaker and wait a few seconds. Turn breaker back on. The oven should reset itself and will be operable.
Oven is not heating	Make sure the oven temperature has been selected. Check the circuit breaker or fuse box to your house. Make sure there is proper electrical power to the oven.
Oven is not cooking evenly	Check oven calibration. Adjust calibration if necessary (see Oven Offset, Page 17). Refer to cooking charts for recommended rack position. Always reduce recipe temperature by 25°F when baking with convention bake mode.
Oven temperature is too hot or too cold	The oven thermostat needs adjustment. See Calibrating Oven Temperature, Page 17.
Oven light is not working properly	Replace or reinsert the light bulb if loose or defective. See Page 15. Touching the bulb with fingers may cause the bulb to burn out.
Oven light stays on	Oven light comes on automatically when oven begins heating. Press LIGHT to turn oven light off. If oven is off, check for obstruction in oven door or check to see if hinge is bent.
Cannot remove lens cover on light	There may be soil build-up around the lens cover. Wipe lens cover area with a clean dry towel prior to attempting to remove the lens cover.
Oven will not self-clean properly	Allow the oven to cool before running self-clean. Always wipe out loose soil or heavy spill-over before running self-clean. If oven is badly soiled, set oven for a four-hour Self-Clean. See Self-Cleaning, Page 13.
Clock and timer are not working properly	Make sure there is proper electrical power to the oven. See the Clock and Timer sections on Pages 2 and 8.
Excessive moisture	When using bake mode, preheat the oven first. Convection bake will eliminate any moisture in oven (this is one of the advantages of convection).
Porcelain chips	When oven racks are removed and replaced, always tilt racks upward and do not force them to avoid chipping the porcelain.

HOW TO OBTAIN SERVICE

For authorized service or parts information call 800/ 944-2904.

We want you to remain a satisfied customer. If a problem occurs that is not resolved to your satisfaction, write to Bosch Customer Support, 5551 McFadden Avenue, Huntington Beach CA, 92649 or phone 800-944-2904.

Please include the Model Number, Serial Number and date of original purchase and installation.

Warranty

Statement of Limited Warranty

The warranties provided by BSH Home Appliances ("Bosch") in this Statement of Limited Warranty apply only to the Bosch Electric Built-In Ovens ("Built-In Oven") sold to you, the first using purchaser, provided that the Built-In Oven was purchased (1) for your use and not for resale and (2) in the United States or Canada and is located in the country of purchase. As used in this Statement of Limited Warranty, the term "Date of Installation" shall refer to the earlier of the date the Built-In Oven is installed or ten (10) business days after the date the Built-In Oven is sold to the first using purchaser. The warranties stated herein apply only to the first using purchaser and are not transferable.

Standard Limited Warranty

Bosch warrants that its Built-In Oven is free from defects in materials and workmanship for a period of twelve (12) months from the Date of installation. During the warranty period, Bosch or its authorized service center will repair or replace, at its sole option, any Built-In Oven that proves to have been defective under conditions of normal use without charge. All removed parts and components shall become the property of Bosch, at Bosch's option. All replaced and/or repaired parts shall assume the identity of the original part for purposes of this warranty and this warranty shall not be extended with respect to such parts.

Other Conditions of the Limited Warranties

The warranties provided in this Statement of Limited Warranty exclude defects or damage resulting from (1) use of the Built-In Oven in other than its normal and customary manner (commercial use of the Built-In Oven shall not be deemed normal or customary), (2) misuse, abuse, accidents or neglect, (3) improper operation, maintenance, installation or unauthorized service, (4) adjustment or alteration or modification of any kind, (5) a failure to comply with applicable state, local, city, and county electrical and/or building codes, (6) spills of food or liquid, and (7) external forces such as floods, fires, acts of God or other circumstances beyond Bosch's control. Also excluded from this warranty are scratches and damages on external surfaces and exposed parts or Built-In Ovens on which the serial numbers have been altered, defaced or removed.

To the extent allowed by law, this warranty sets out your exclusive remedies with respect to products covered by it, whether the claim arises in contract or tort (including strict liability, and negligence) or otherwise. Bosch will not be liable for consequential or incidental damages, losses, or expenses.

THIS WARRANTY IS IN LIEU OF ALL OTHER EXPRESS WARRANTIES. ANY WARRANTY IMPLIED BY LAW, WHETHER FOR MERCHANTABILITY OR FITNESS FOR A PARTICULAR PURPOSE OR OTHERWISE, SHALL BE EFFECTIVE ONLY FOR THE PERIOD THAT THIS EXPRESS WARRANTY IS EFFECTIVE. No attempt to alter, modify or amend this warranty shall be effective unless authorized in writing by an officer of BSH.

How to Obtain Warranty Service

To obtain warranty service for the Built-In Oven, you should contact the nearest Bosch authorized service center. BSH Home Appliances • 5551 McFadden Avenue, Huntington Beach, CA 92649 • 800-944-2904.

Service Data Record

The location of the serial tag on the product can be seen when the oven door is opened. It is located on the left side, centered vertically just inside the oven cavity. See page 3. Now is a good time to write this information in the space provided below. Keep your invoice for warranty validation. To obtain service see page 19.

Model number:
Serial Number:
Date of Installation or Occupancy:



Instructions de sécurité importantes

Lire toutes les instructions avant d'utiliser l'appareil

Lorsque entretenu adéquatement, ce nouveau four Bosch est conçu pour la fiabilité et la sécurité.

Lire attentivement toutes les instructions avant d'utiliser le four. Ces précautions permettent de réduire le risque de brûlures, de chocs électriques, d'incendie et de blessures. Au moment d'utiliser un appareil de cuisine, les précautions de sécurité de base doivent être observées, incluant ce qui suit :

- Cet appareil doit être adéquatement installé et mis à la terre adéquatement par un technicien qualifié. Brancher seulement sur une prise mise à la terre. Voir les instructions de connexions et de préparation électrique dans les instructions d'installation.
- Le service de cet appareil doit être effectué seulement par un technicien qualifié. Communiquer avec un centre de service autorisé pour vérification, réparation ou réglage.
- Ne pas réparer ni remplacer toute pièce du four à moins qu'il ne soit indiqué spécifiquement indiqué. Référer tout service à un centre de service autorisé.
- Ne pas utiliser cet appareil s'il ne fonctionne pas adéquatement ou s'il a été endommagé tant qu'un technicien qualifié ne l'a pas vérifié.
- Installer cet appareil conformément aux instructions d'installation.
- Utiliser ce four seulement pour l'usage auquel il est destiné par le fabricant. Pour toute question, communiquer avec le fabricant.
- Ne pas couvrir ni obstruer les ouvertures de cet appareil.
- Utiliser cet appareil seulement pour l'usage auquel il est destiné décrit dans ce guide. Ne pas utiliser de produits chimiques corrosifs, vapeurs ou non alimentaires dans cet appareil. Ce type de four est conçu spécifiquement pour chauffer et cuire. Il n'est pas conçu pour une utilisation commerciale ou en laboratoire. L'utilisation de produits chimiques corrosifs pour le chauffage et le nettoyage endommagera cet appareil.
- Si les vêtements d'une personne ou les cheveux prennent feu, SE LAISSER TOMBER ET ROULER IMMÉDIATEMENT pour éteindre les flammes.
- Ce four est conçu pour une utilisation résidentielle seulement. Il n'est pas approuvé pour une utilisation extérieure.

CONCERNANT LES OISEAUX DOMESTIQUES

Les oiseaux ont un système respiratoire sensible. Garder les oiseaux domestiques hors de la cuisine ou d'autres pièces où les émanations de la cuisine peuvent les atteindre. Pendant le mode autonettoyage, les émanations peuvent être nocives pour les oiseaux. D'autres émanations comme la margarine surchauffée et les huiles de cuisson peuvent aussi être dangereuses.

- Ne pas laisser les enfants utiliser cet appareil sans une supervision accrue d'un adulte. Enfants et animaux ne doivent pas être laissés seuls ou sans surveillance dans la zone où est installé le four. Ne jamais laisser les enfants s'asseoir ou se tenir debout sur toute pièce du four.
- Ne pas ranger des articles d'intérêt pour les enfants au-dessus du four. Si les enfants grimpent sur l'appareil pour atteindre ces objets, ils peuvent se blesser sérieusement.

Pour réduire le risque d'incendie dans la cavité du four :

1. Ne pas ranger des matériaux inflammables dans ou près du four.
2. Ne pas utiliser d'eau sur un feu de graisse. Éteuffer le feu ou utiliser un extincteur de type à mousse ou chimique à sec.
3. Avoir un extincteur visible à proximité de l'appareil de cuisson. S'assurer de savoir s'en servir.
4. Ne pas surcuire les aliments. Surveiller le four si des matériaux combustibles, papier ou plastique sont placés dans le four.
5. Ne pas utiliser la cavité du four à des fins de rangement. Ne pas laisser d'articles en papier, ustensiles de cuisson ou d'aliments dans la cavité si non utilisée.
6. Si des matériaux à l'intérieur du four s'enflamment, laisser la porte fermer. Fermer le four et débrancher le circuit au coupe-circuit à la boîte du coupe-circuit.
7. Ne pas obstruer les ouvertures d'évent.
8. S'assurer que le ventilateur fonctionne lorsque le four est actionné. Si il ne fonctionne pas, ne pas utiliser le four. Téléphoner à un centre de service autorisé.
9. Ne jamais utiliser le four pour chauffer ou réchauffer une pièce. Ceci peut endommager les pièces du four.
10. Pour la sécurité personnelle, porter des vêtements appropriés. Des vêtements lâches, de grandes manches ne doivent jamais être portés si l'on utilise le four.



AVERTISSEMENT

La loi applicable sur les produits toxiques et l'eau potable de Californie requiert que les compagnies avisent les clients sur une exposition potentielle aux substances connues par l'état de Californie comme causant le cancer ou un risque de reproduction.

L'élimination de résidus pendant l'autonettoyage génère certains sous produits qui sont sur la liste des substances.

Afin de minimiser l'exposition à ces substances, toujours actionner le four conformément aux instructions de ce guide et assurer une bonne ventilation de la pièce pendant et immédiatement après l'autonettoyage du four.

Suite à la page suivante



Instructions de sécurité importantes

Lire toutes les instructions avant d'utiliser l'appareil

PRÉCAUTIONS DE SÉCURITÉ

- Attacher les cheveux longs.
- Les éléments chauffants peuvent être chauds même s'ils sont de couleur foncée. Les surfaces intérieures deviennent assez chaudes pour causer des brûlures.
- Pendant et après l'utilisation, ne pas presser ni laisser des matériaux inflammables ou des vêtements entrer en contact avec les éléments chauffants ou les surfaces intérieures tant qu'ils n'ont pas suffisamment refroidis.
- La garniture sur le dessus et les côtés de la porte du four peut devenir suffisamment chaude pour causer des brûlures.
- Faire attention au moment d'ouvrir la porte. L'ouvrir légèrement pour laisser la chaleur et la vapeur s'échapper avant d'enlever ou de remettre des aliments.
- Ne pas chauffer des contenants d'aliments non ouverts. L'accumulation de pression peut faire exploser le contenant et causer des blessures.
- Toujours placer les grilles à l'endroit désiré lorsque le four est froid. Si la grille doit être enlevée pendant que le four est chaud, les moufles ne doivent pas entrer en contact avec les éléments chauffants.
- Utiliser seulement des moufles sèches. Humides ou mouillées sur les éléments chauffants, cela peut causer des brûlures par la vapeur. Elles ne doivent pas entrer en contact avec les éléments chauffants. Ne pas utiliser une serviette ou un chiffon.

PRÉCAUTIONS AVEC UN FOUR AUTONETTOYANT

- S'assurer que la porte est verrouillée et qu'elle ne s'ouvrira pas lorsque l'icône de verrouillage s'affiche. Si elle ne se verrouille pas, presser OVEN OFF (four arrêt) et ne pas actionner le four. Téléphoner au 800.944.2904 pour le service (voir page 19).
- Remarque : pendant l'autonettoyage normal et l'autonettoyage différé, la porte se verrouille de 25 à 30 secondes après avoir pressé START (marche).
- Ne pas nettoyer le joint de la porte. Il est essentiel pour une bonne étanchéité. Il faut faire attention à ne pas frotter, endommager, déplacer ou enlever le joint de porte.
- Ne pas utiliser de produits nettoyants pour le four de type commercial ni d'enduit protecteur sur ou autour des pièces du four.
- Nettoyer seulement les pièces indiquées dans ce guide.
- Avant d'autonettoyer le four, enlever lèchefrite, toutes les grilles, ustensiles et excès de déversement mou.
- Écouter le ventilateur. S'il n'y a pas de bruit, téléphoner pour le service, voir page 19.

Mise en oeuvre

Pour régler la pendule

1. **Presser SET CLOCK (réglage pendule).** L'heure clignote et CLOCK (pendule) figure à l'affichage.
2. **Presser +** ou **-** pour régler l'heure.
3. **Presser SET CLOCK.** Les minutes clignotent.
4. **Presser +** ou **-** pour régler les minutes.
5. **Presser SET CLOCK.**

La pendule figure à l'affichage en tout temps sauf lorsque la minuterie ou une fonction de cuisson minutée est actionnée.

Pour utiliser l'éclairage du four

1. **Presser LIGHT (éclairage)** pour mettre en ou hors circuit.

Dans les fours doubles, l'éclairage des deux fours se met en et hors circuit ensemble. Pour contrôler l'éclairage d'un four :

1. **Presser UPPER/LOWER** (supérieur/inférieur) pour choisir le four.
2. **Presser LIGHT** pour mettre en circuit ou hors circuit.

L'éclairage est mis en circuit automatiquement lorsque :

- la porte est ouverte
- le four est mis en circuit

L'éclairage est mis hors circuit automatiquement lorsque :

- le four est mis hors circuit
- le mode four est annulé

L'éclairage ne fonctionne pas en mode autonettoyant.

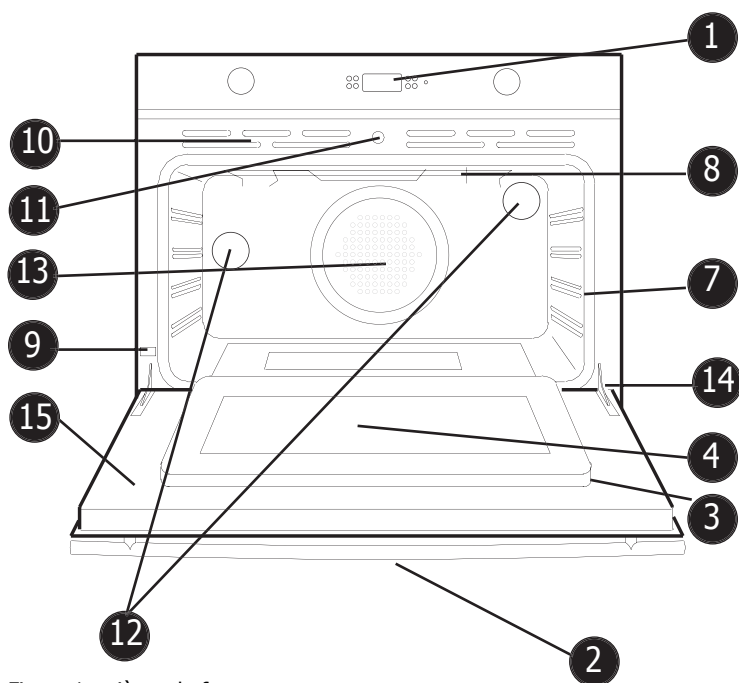


Figure 1 : pièces du four

Pièces et accessoires

- | | |
|--|--|
| <ul style="list-style-type: none"> 1. Panneau de contrôle 2. Poignée de porte 3. Joint de porte (un par four) 4. Hublot 5. Grilles amovibles ; 2 à 5 selon le four (non illustrées) 6. Lèche-frite et gril (non illustrés) 7. Guides de positions des grilles (4 dans chaque four) 8. Élément gril (un dans chaque four) 9. Plaque signalétique | <ul style="list-style-type: none"> 10. Évents de refroidissement (les deux fours) 11. Loquet de verrouillage de porte automatique (un par four) 12. Éclairage halogène (2 dans chaque four) 13. Ventilateur de convection et couvercle (un par four) 14. Charnière de four 15. Porte de four amovible 16. Nécessaire de documentation |
|--|--|

Mise en oeuvre

Panneau de contrôle

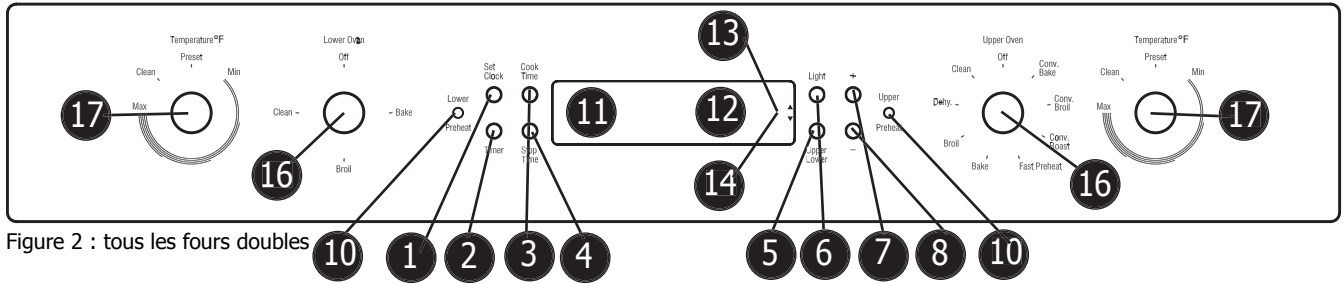


Figure 2 : tous les fours doubles



Figure 3 : fours simples HBN54 et modèle HBL504



Figure 4 : fours simples HBL503

Touches de commandes

1. SET CLOCK (réglage pendule) : presser pour régler ou changer l'heure du four.
2. TIMER (minuterie) : presser pour régler ou effacer la minuterie.
3. COOK TIME (temps cuisson) : presser pour régler le mode cuisson minutée.
4. STOP TIME (heure arrêt) : presser pour régler l'heure d'arrêt à un mode de cuisson différée.
5. UPPER LOWER (supérieur/inférieur) (four double seulement) : presser pour choisir le four supérieur ou inférieur avant de régler l'éclairage, etc.
6. LIGHT (éclairage) : presser pour mettre en ou hors circuit.
7. + : presser pour augmenter la durée pour une des fonctions ci-dessus une minute à la fois. Presser et maintenir pour augmenter en tranches de 10 minutes.
8. - : presser pour diminuer la durée pour une des fonctions ci-dessus une minute à la fois. Presser et maintenir pour augmenter en tranches de 10 minutes.
9. LOCK (verrouillage) : pour four simple, presser et maintenir LOCK et + en même temps pour mettre le verrouillage en ou hors circuit. Pour four double, presser et maintenir + et - pour mettre en ou hors circuit. (Utiliser la touche four inférieur pour choisir le four). Cette fonction verrouille la porte du four à des fins sécuritaires.
13. BOX ICONS (boîte icônes) (four double seulement) : icône verts s'allumant lorsque le four est activé.
14. LOCK ICONS (icône de verrouillage) : icônes rouges à l'intérieur de la boîte d'icônes indiquant que la porte est verrouillée.
15. DISPLAY TEXT (texte d'affichage) : indique les fonctions actives (constant) et les fonctions attendant une entrée (clignotant).

Boutons

16. MODE (un pour chaque four) : tourner pour choisir un mode.
17. TEMPÉRATURE (un pour chaque four) : tourner pour changer la température. Lorsque PRESET (préréglé) est sélectionné, la température par défaut est utilisée.

Autres caractéristiques

18. TONALITÉ : une tonalité indique que l'entrée est acceptée ; deux, l'entrée est invalide.
19. CODES NOMBRE F : figure à l'affichage lorsque le contrôle détecte un problème avec le four ou l'électronique. Voir la rubrique Aide, page 19, pour plus de détails.
20. TEMPÉRATURE PAR DÉFAUT : chaque mode de cuisson a une température par défaut qui s'affiche lorsque le bouton température est tourné à PRESET. La température par défaut est celle la plus souvent utilisée pour ce mode.
21. MODE SABBAT : lorsque activé, le four cuit pendant 72 heures avant de se mettre automatiquement hors circuit. Ce mode est conforme aux croyances religieuses du Sabbat, soit l'exigence de ne pas travailler.

Affichage

10. PREHEAT LIGHT (voyant préchauffage) (un pour chaque four) : s'allume lorsque le four préchauffe.
11. TIME (heure) : chiffres verts à la gauche de l'affichage. Indique l'heure du jour et la minuterie.
12. TEMPÉRATURE : chiffres rouges à la droite de l'affichage. Indique la température choisie pour le four.

Conseils généraux

Suggestions d'utilisation

- Utiliser les tableaux de cuisson comme guide.
- Ne pas déposer les casseroles sur la porte ouverte.
- Utiliser l'éclairage intérieur pour voir les aliments par le hublot plutôt que d'ouvrir la porte fréquemment.
- Placer les plats au centre du four.

Avantages de cuisson à convection

- Cuisson uniforme.
- Jus et saveurs scellés.
- Aliments levant à l'air comme soufflée, meringue, pain à levure, etc. plus légers et plus hauts.
- Aucun plat spécial nécessaire.
- Grillage de coupes de viande épaisses possible avec le gril à convection.
- Économise temps et argent.

Concernant la cuisson à convection *

Les modes de cuisson standard (cuisson, gril, etc.) utilisent une chaleur radiée d'un ou plusieurs éléments pour cuire les aliments. Les modes à convection utilisent la chaleur des éléments et d'un ventilateur à l'arrière du four faisant circuler constamment la chaleur dans le four.

Le résultat est plus rapide, plus uniforme. Les modes à convection scellent l'humidité naturelle et les saveurs tout en économisant temps et argent puisque les aliments cuisent à des températures plus basses en moins de temps (ne réduit jamais la température pour la cuisson des viandes).

Le temps de cuisson est réduit car plusieurs grilles peuvent être utilisées à la fois, comme cuire plusieurs plaques à biscuits ou différents plats en même temps.

Le four utilise aussi la convection pour déshydrater. La faible chaleur des éléments est circulée dans le four par le ventilateur à convection pour retirer lentement l'humidité.

Consulter les modes four dans ce guide plus de détails.

Préchauffage du four

- Préchauffer le four pour les modes cuisson et cuisson à convection à moins d'indication contraire dans la recette.
- Utiliser le préchauffage rapide pour réduire le temps de préchauffage.
- Choisir une température élevée ne réduit pas le temps de préchauffage.
- Le préchauffage est nécessaire pour de bons résultats pour cuire gâteaux, biscuits, pâtisseries et pains.
- Placer les grilles à la position appropriée avant de préchauffer.
- Pendant le préchauffage, la température de cuisson choisie est affichée.
- Une tonalité confirme que le four est préchauffé et le voyant s'éteint.
- Sur courant 208 V, le temps de préchauffage peut être légèrement plus long.

Plats de cuisson

- Les plats en verre absorbent la chaleur, donc réduire la température de 25 °F.
- Utiliser des plats qui donnent un brunissage désiré. Le type de fini du plat aide à déterminer le brunissage.
- Des plats au fini métal lisse et brillant ou anodisés/antiadhésifs pâles réfléchissent la chaleur, donc un brunissage plus pâle. Gâteaux et biscuits requièrent ce type de plat.
- Des moules mats, rugueux, foncés absorbent la chaleur donnant des croûtes croustillantes, plus brunes. Utiliser pour les tartes.
- Pour des croûtes croustillantes, brunes, utiliser des plats anodisés/antiadhésifs foncés, métal mat ou en verre.
- Des plats isolés peuvent augmenter le temps de cuisson.
- Ne pas cuire avec la lèchefrite vide, cela peut modifier le rendement de cuisson. La ranger hors du four.
- Utiliser des plaques de 19 x 14 po ou plus petites pour de meilleurs résultats.

Généralités du fonctionnement du four

Le fonctionnement du four s'effectue à l'aide des boutons et des commandes sur le panneau de contrôle.

Le four simple est doté d'un bouton mode; le four double, deux boutons (un pour chaque four).

Le four simple est doté d'un bouton de température ; le four double, deux.

Les touches de commandes permettent de régler la pendule, la minuterie, temps de cuisson (pour cuisson minutée et différée), heure arrêt (cuisson différée), éclairages de four et verrouillage de sécurité.

Voir les rubriques panneau de contrôle et affichage et fonctionnement du four plus de détails.

*Les modèles HBL503 n'ont pas les caractéristiques à convection.

Conseils généraux

Grilles de four

- Le four est doté de guides de grilles à 4 niveaux comme illustré à la page 7. Les positions sont numérotées du bas (n° 1) au haut (n° 4).
- Vérifier les tableaux de cuisson pour les meilleures positions à utiliser lors de la cuisson.
- S'assurer que les grilles sont de niveau une fois en position.
- Les grilles sont conçues pour s'arrêter lorsque tirées complètement.
- ATTENTION !** Ne jamais utiliser de papier aluminium pour couvrir les grilles ou le fond du four. La chaleur coincée sous l'aluminium peut causer des dommages au four.

ATTENTION : pour éviter les brûlures, placer les grilles à la position désirée avant de mettre le four en circuit. Toujours utiliser des moufles lorsque le four est chaud.

Retrait : saisir fermement la grille par les côtés et tirer. Lorsque la butée est atteinte, incliner la grille vers le haut et tirer pour sortir.

Remise en place : saisir la grille fermement par les côtés. L'incliner vers le haut pour que la butée s'insère dans les guides. Remettre la grille en position horizontale et pousser jusqu'au fond. La grille doit être droite et à plat, non croche.

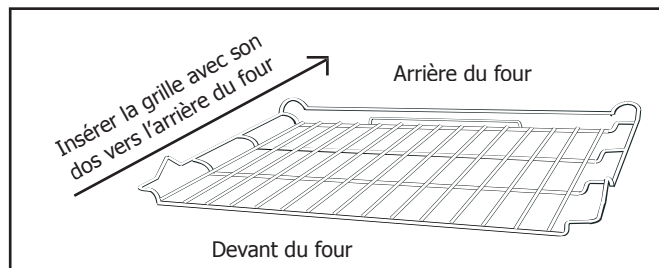


Figure 5 : grille plate

Sélection de la position de la grille

Voir le graphique à droite.

Grille 4 – plus haute position. Utiliser pour faire fondre rapidement le fromage.

Grille 3 – utiliser pour griller la plupart des viandes et le pain.

Grille 2 – utiliser pour tartes, casseroles, pains, certains gâteaux, petits rôtis ou volaille ainsi que pour griller les coupes de viandes épaisses.

Grille 1 – plus basse position. Utiliser pour gâteaux des anges, gros rôtis et dinde.

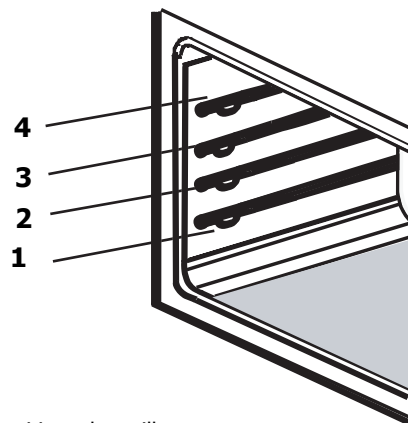


Figure 6 : positions des grilles

Utilisation de plusieurs grilles

Cuisson à 2 grilles – positions 1 et 3

Cuisson à 3 grilles – positions 2, 3 et 4

Pour la cuisson d'un gâteau à 4 étages en même temps, placer les moules de façon à ce qu'ils ne soient pas un au-dessus des autres. Pour de meilleurs résultats, placer les moules à l'avant sur la grille supérieure et à l'arrière sur la grille inférieure (voir graphique à droite). Allouer un espace de 1 à 1 1/2 po autour des moules.

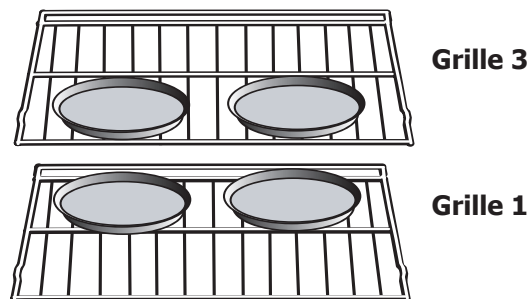


Figure 7 : position des moules sur plusieurs grilles

Conseils généraux

Condensation

L'évent du four est situé au-dessus de la porte. Il est normal de voir de la vapeur s'échapper de l'évent et de voir de la condensation se former au-dessus de l'évent comme à l'affichage.

Capteur de température

Ce nouveau four est doté d'un capteur de température qui maintient de façon précise la température choisie. Le four précédent avait peut-être un thermostat mécanique qui passait graduellement à une température plus élevée. Résultat, il faudra peut-être régler selon les recettes au moment de cuisiner avec le nouveau four.

Cuisson à haute altitude

Pour cuisiner à haute altitude, les recettes et les durées de cuisson varient de la norme. Pour une information précise, écrire à Extension Service, Colorado State University, Fort Collins, Colorado 80521. Il peut y avoir des frais pour les bulletins.



ATTENTION:

Plusieurs facteurs peuvent modifier le rendement.
Toujours vérifier la cuisson avant de servir.

Tableau 1 : guide de température

Guide de température de service de la FSIS (Service d'inspection et sécurité des aliments USDA)	
140 °F (60 °C) <ul style="list-style-type: none">• Jambon précuit (pour réchauffer)	165 °F (74 °C) <ul style="list-style-type: none">• Viande hachée et mélange de viande (dinde, poulet)
145 °F (63 °C) <ul style="list-style-type: none">• Boeuf, veau, agneau frais (médium – saignant)	• Farce (seule ou dans une volaille)
160 °F (71 °C) <ul style="list-style-type: none">• Viande hachée et mélange de viande (boeuf, porc, veau, agneau)	• Restes, casseroles
• Boeuf, veau, agneau frais (médium)	170 °F (77 °C) <ul style="list-style-type: none">• Boeuf, veau, agneau frais (bien cuit)
• Porc frais (médium)	• Poitrine de volaille
• Jambon frais (non cuit)	• Porc frais (bien cuit)
• Plats aux oeufs	180 °F (82 °C) <ul style="list-style-type: none">• Poulet et dinde (entier)
	• Volaille (cuisses, ailes)
	• Canard et oie

Remarque : oeufs (seuls, non dans une recette) – cuire jusqu'à ce que le jaune et le blanc soient fermes.

Réglage du four

Réglage du mode de cuisson

1. Tourner le bouton mode pour choisir le mode de cuisson.
2. Tourner le bouton température pour choisir la température. Choisir PRESET pour utiliser la température par défaut.

Le voyant préchauffage rouge, l'éclairage du four et le ventilateur sont en circuit lorsque le four préchauffe. Lorsque la température de préchauffage est atteinte, le voyant rouge s'éteint et le four émet une tonalité.

Réglage de la minuterie

1. Presser TIMER. TIMER figure à l'affichage
2. Presser TIMER de nouveau. L'heure clignote.
3. Presser + ou - pour régler l'heure.
4. Presser TIMER. Les minutes clignotent
5. Presser. + ou - pour régler les minutes.
6. Presser TIMER.

Une tonalité retentit lorsque le temps est écoulé.

CONSEIL:

Maintenir + ou - pour régler en tranches de 10 minutes.

Réglage du mode cuisson avec préchauffage rapide

1. Tourner le bouton à FAST PREHEAT (préchauffage rapide).
2. Tourner le bouton température pour choisir la température.

Le voyant préchauffage rouge, l'éclairage du four et le ventilateur sont en circuit lorsque le four préchauffe. Lorsque la température de préchauffage est atteinte, le voyant rouge s'éteint et le four émet une tonalité.

3. Tourner le bouton pour choisir le mode cuisson.
4. Placer les aliments au four.

RAPPEL!

En utilisant le **préchauffage rapide**, il faut **sélectionner le mode de cuisson** après le préchauffage et avant de placer les aliments au four.

Modes de cuisson minutée

Utiliser la cuisson minutée pour mettre automatiquement le four hors circuit après la cuisson. La cuisson différée met aussi le four en circuit automatiquement.

- Mode four double, les deux fours peuvent être réglés pour fonctionner indépendamment en mode minuté.
- La pendule est réglée à l'heure du jour.
- Le mode minuté met le four hors circuit à la fin de la cuisson.

Réglage du mode minuté

1. Tourner les boutons pour choisir le mode et la température.
2. Presser COOK TIME (temps cuisson) deux fois. L'heure clignote.
3. Presser + ou - pour régler le nombre d'heures.

Remarque : le temps requis pour que le four atteigne la température doit être comprise dans le temps de cuisson.

4. Presser COOK TIME de nouveau. Les minutes clignotent.
5. Presser + ou - pour régler les minutes.
6. Presser COOK TIME pour confirmer.

À la fin du temps de cuisson programmé, le four se met automatiquement hors circuit.

Réglage du mode différé

1. Suivre les étapes 1 à 6.
2. Presser STOP TIME (heure arrêt) deux fois. DELAY (différé) figure à l'affichage. STOP TIME et les heures clignotent.
3. Presser + ou - pour changer les heures.
4. Presser STOP TIME de nouveau. Les minutes clignotent.
5. Presser + ou - pour changer les minutes.
6. Presser STOP TIME pour confirmer.

Le four calcule automatiquement l'heure du jour pour commencer.

À la fin du temps de cuisson programmé, le four se met hors circuit. L'affichage indique END (fin) et le four émet une tonalité. Il y a une tonalité et COKOK TIME (cuisson heure OK) clignote.

CONSEIL:

Presser **COOK TIME** pour voir l'information **mode minuté**.

Presser **STOP TIME** pour voir l'information **mode différé**.

Presser **TIMER** pour voir la **minuterie**.

Modes four

Cuisson

La cuisson s'effectue avec de l'air chaud, sec. Les éléments supérieur et inférieur font un cycle pour maintenir la température du four.

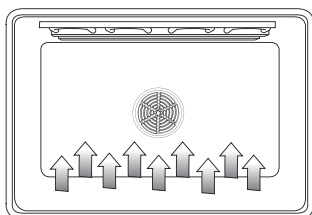


Figure 8 : cuisson

Le mode cuisson peut être utilisé pour préparer une variété d'aliments, de pâtisseries aux casseroles ainsi que pour rôtir les viandes.

Pour de meilleurs résultats

- Pour la cuisson sur deux grilles ou plus, utiliser la cuisson à convection.

Conseils pour cuisson rapide : Conversion de la cuisson standard à convection

- Reduce recipe temperature by 25° F.
- Check food for doneness early:

Si la recette demande	Vérifier la cuisson
1 à 15 min.	3 min. plus tôt
16 à 30 min.	5 min. plus tôt
31 min. à 1 h	10 min. plus tôt

Cuisson à convection

La cuisson à convection est semblable à la cuisson. Dans ce cas, la chaleur provient d'un troisième élément derrière la paroi. La principale différence de la cuisson à convection est que la chaleur circule dans le four à l'aide d'un ventilateur.

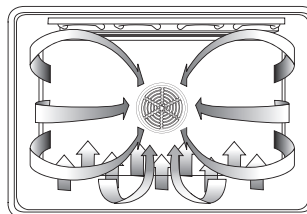


Figure 9 : cuisson à convection

Le mode cuisson à convection est idéal pour cuire de grandes quantités d'aliments sur plusieurs grilles. Utiliser pour préparer biscuits, pâtisseries, pains, goûter et hors-d'oeuvre, etc. NE PAS utiliser pour les viandes, mais plutôt le rôtissage à convection.

Avantages de la cuisson à convection

- Légère diminution du temps de cuisson.
- Cuisson à 3 grilles.
- Volume plus élevé (produits à levure plus haut)
- Plus d'aliments cuisinés à la fois.

Pour de meilleurs résultats

- Réduire la température de la recette de 25 °F. Voir le tableau de cuisson à convection pour des exemples.
- Placer les aliments dans des plats peu profonds non couverts, comme une tôle à biscuits.
- Centrer les plats d'un côté à l'autre sur la grille.
- Ne pas utiliser la cuisson à convection pour les crèmes anglaises, quiches, tartes à la citrouille ou gâteau au fromage. Ces produits ne profitent pas de la chaleur à convection. Utiliser plutôt la cuisson standard.

Tableau 2 : tableau de cuisson à convection

Aliments	Position de grille	Temp.* (four préchauffé) °F	Temps de cuisson à convection* (min)
Gâteau			
Petits gâteaux	2	325	17-19
Gâteau bundt	1	325	37-43
Gâteau des anges	1	325	35-39
Tarte			
2 croûtes, fraîches, 9po	2	350 - 400	45-55
2 croûtes, fruits surgelés, 9 po	2	350	68-78
Biscuit			
Sucre	2	325 - 350	6-11
Brisures de chocolat	2	325 - 350	8-13
Carrés au chocolat (brownies)	2	325	29-36
Pains			
Pain à levure, 9 x 5	2	350	
Petits pains à levure	2	350 - 375	18-22
Pain rapide 8x4	2	325 - 350	12-15
Biscuits	2	350 - 375	45-55
Muffins	2	400	11-15
			15-19
Pizza			
Surgelée	2	375 - 425	23-26
Fraîche	2	400 - 425	12-15

* La température de cuisson à convection est 25 °F de moins que celle recommandée sur les emballages ou dans les recettes. La température de ce tableau a été réduite de 25 °F.

** Ce tableau est un guide. Les durées réelles dépendent des mélanges ou des recettes. Suivre la recette ou les directives de l'emballage et réduire la température de façon appropriée.

*** Pour la cuisson à convection sur deux grilles, utiliser les positions 1 et 3. Pour trois grilles, positions 2, 3 et 4.

Modes four

Gril

Le gril utilise une chaleur intense radiée de l'élément supérieur :

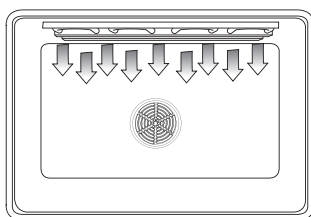


Figure 10 : gril

Le mode gril est idéal pour cuire des coupes de viandes minces et tendres (1 po ou moins), volaille et poisson ainsi que pour brunir pains et casseroles.

Avantages du gril

- Cuisson rapide et efficace.
- Cuisson sans ajout de gras ou de liquides.
- Brunissage pendant la cuisson

Pour de meilleurs résultats

- Ne pas préchauffer le four.
- Steaks et côtelettes doivent avoir au moins 3/4 po d'épaisseur.
- Badigeonner poisson et volaille avec du beurre ou de l'huile pour empêcher de coller.
- Utiliser la lèchefrite et la grille comprise avec le four.
- Ne pas couvrir la grille de la lèchefrite avec du papier aluminium. Elle est conçue pour drainer les gras et les huiles de la surface de cuisson empêchant la fumée et les éclaboussures.
- Tourner les viandes une fois à mi-cuisson du temps de cuisson recommandé (voir le tableau gril pour des exemples).
- Pour brunir des mets, utiliser seulement des plats en céramique vitrifiée comme Corningware® ou en métal.
- Ne jamais utiliser du verre résistant à la chaleur (Pyrex®) ; il ne peut tolérer les températures élevées.

TOUJOURS GRILLER AVEC LA PORTE FERMÉE

Tableau 3 : gril

Aliments et épaisseur	Position de grille	Réglage du gril	Temp. interne (°F)	Temps côté 1 (min)*	Temps côté 2 (min)*
Boeuf Steak (3/4 à 1 po) médium saignant	3	5	145	5-7	4-6
médium	3	5	160	6-8	5-7
bien cuit	3	5	170	8-10	7-9
Hamburger(3/4 à 1 po) bien cuit	3	5	160	7-9	5-7
Volaille Poitrine (avec os)	3	3	170	14-16	14-16
Cuisses	3	3	180	14-16	11-13
Pork Côtelettes (1 po)	3	5	160	7-9	5-7
Saucisses fraîches	3	5	160	5-7	3-5
Tranche de jambon (1/2 po)	3	5	160	3-5	4-6
Fruits de mer Filets de poisson(1 po) Beurrés	3	4	Cuire jusqu'à opacité et que l'aliment se défatte facilement avec une fourchette	10-14	Ne pas tourner
Agneau Côtelettes 1 po	3	5	145	5-7	4-6
médium saignant	3	5	160	6-8	5-7
médium	3	5	170	8-10	7-9
bien cuit	3	5	170	8-10	7-9
Pain À l'ail 1 po Tranches	3	5		4-6	

Gril à convection

Le gril à convection est semblable au gril. Il combine la chaleur intense de l'élément supérieur avec la chaleur circulée par le ventilateur.

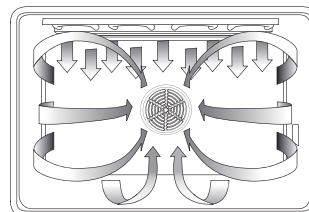


Figure 11 : gril à convection

Le mode gril à convection est idéal pour cuire des coupes de viande épaisses et tendres ; volaille et poisson. Il n'est pas recommandé pour brunir du pain, des casseroles et autres aliments.

Avantages du gril à convection en plus de ceux du gril standard

- Cuisson plus rapide que le gril standard

Pour de meilleurs résultats

- Ne pas préchauffer le four.
- La viande doit avoir au moins 1 1/2 po d'épaisseur.
- Tourner les viandes une fois à mi-cuisson du temps de cuisson recommandé (voir le tableau gril à convection pour des exemples).
- Utiliser la lèchefrite et la grille comprise avec le four.
- Ne pas couvrir la grille de la lèchefrite avec du papier aluminium. Elle est conçue pour drainer les gras et les huiles de la surface de cuisson empêchant la fumée et les éclaboussures.
- Saler après la cuisson

TOUJOURS GRILLER À CONVECTION AVEC LA PORTE FERMÉE

Tableau 4 : gril à convection

Aliments et épaisseur	Position de grille	Réglage du gril	Temp. interne (°F)	Temps côté 1 (min)*	Temps côté 2 (min)*
Boeuf Steak (1-1/2 po ou plus)	2	450	145	12-14	11-13
médium saignant	2	450	160	15-17	13-15
médium	2	450	170	18-20	16-17
bien cuit					
Hamburger (plus que 1 po) bien cuit	3	550	160	11-13	8-10
Volaille Poitrine (avec os)	3	450	180 (Cuisse)	13-15	10-12
Cuisses	3	450	170	14-16	12-14
Porc Côtelettes (1 1/4 po ou plus)	2	450	160	12-14	13-15
Saucisses fraîches	3	450	160	4-6	3-5

*Temps de gril et gril à convection sont approximatifs et peuvent varier.

Modes four

Rôtissage à convection

Le rôtissage à convection utilise la chaleur des éléments supérieur et inférieur ainsi que la chaleur circulée par le ventilateur.

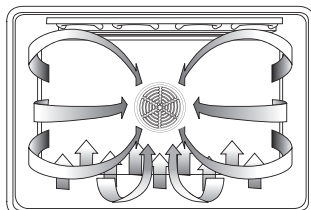


Figure 12 : rôtissage à convection

Le mode rôtissage à convection est idéal pour cuire les coupes de viande tendres et la volaille.

Avantages de rôtissage à convection

- Cuisson jusqu'à 15 % plus rapide que le rôtissage/ cuisson standard.
- Brunissage riche et doré.

Pour de meilleurs résultats

- Utiliser la température indiquée dans la recette.
- Vérifier la cuisson plus tôt car le temps de rôtissage est réduit jusqu'à 25 %. Voir le tableau de rôtissage à convection pour des exemples.
- Ne pas couvrir la viande ni utiliser de sacs à cuisson.
- Utiliser la lèchefrite et la grille comprise avec le four pour le rôtissage ou un plat peu profond, non couvert.
- Utiliser un thermomètre à viande pour déterminer la température interne de la viande.
- Si la viande est brunie comme désiré, mais pas assez cuite, une petite bande d'aluminium peut être placée sur la viande pour empêcher de trop brunir.
- Laisser la viande reposer couverte de 10 à 15 minutes après le retrait du four.

Tableau 4 : rôtissage à convection

Viandes	Poids (lb)	Temp. four (°F)	Position grille	Temps rôtissage* (min par lb)	Temp. interne (°F)
Boeuf Côte de boeuf	4 - 6	325	2	24-30 27-33	145 (med saignant) 160 (médium)
Rosbif de faux-filet (sans os)	4 - 6	325	2	22-30 27-33	145 (med saignant) 160 (médium)
Pointe de surlonge (sans os)	3 - 6	325	2	22-28 27-33	145 (med saignant) 160 (médium)
Filet	2 - 3	425	2	15-25	145 (med saignant)
Porc Longe de porc (sans os ou avec os)	5 - 8	350	2	20-30	160 (médium)
Épaule	3 - 6	350	2	25-35	160 (médium)
Volaille Poulet - entier	3 - 4	375	2	12-18	180
Dinde non farcie**	12-15	325	1	10-14	180
Dinde non farcie**	16-20	325	1	9-11	180
Dinde non farcie**	21-25	325	1	6-10	180
Poitrine	3 - 8	325	1	15-20	170
Poulet de Comouailles	1 - 1 ½	350	2	45-75 total	180
Agneau Demi gigot	3 - 4	325	2	25-30 30-35	160 (médium) 170 (bien cuit)
Gigot entier	6 - 8	325	1	25-30 30-35	160 (médium) 170 (bien cuit)

* Les temps de rôtissage sont approximatifs et peuvent varier légèrement selon la forme de la viande et sont en fonction des viandes décongelées.

**La dinde farcie requiert du temps additionnel. La température minimale sécuritaire pour la farce dans la dinde est de 165 °F.

Conseils rapides et faciles:

Conversion de cuisson standard à rôtissage à convection

- NE PAS changer la température de la recette.
- Utiliser les temps de rôtissage donnés au tableau à droite.

Modes four

Déshydratation

La déshydratation sèche les aliments avec la chaleur d'un troisième élément situé derrière la paroi arrière du four. La chaleur est circulée dans le four par le ventilateur.

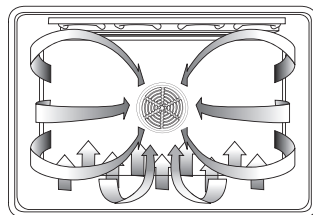


Figure 13 : déshydratation

La déshydratation est utilisée pour sécher et/ou préserver les aliments tels fruits, légumes et fines herbes. Ce mode garde une basse température optimale (120 à 160 °F) tout en circulant l'air chaud pour enlever lentement l'humidité.

Pour de meilleurs résultats

- Sécher les fines herbes à 120 °F et la plupart des fruits et légumes à 140 °F. (Voir le tableau de déshydratation pour des exemples.)
- Les temps de séchage varient selon la quantité d'humidité et de sucre contenue dans les aliments, la dimension, la quantité séchée et l'humidité dans l'air. Vérifier au temps de séchage minimum.
- Plusieurs grilles peuvent être utilisées simultanément. Communiquer avec le marchand Bosch pour des grilles de séchage.
- Traiter les fruits avec des antioxydants pour éviter la décoloration.
- Consulter un livre sur la conservation d'aliments, bibliothèque, etc. pour de l'information additionnelle.

Tableau 6: déshydratation

Aliment	Préparation	Temps de séchage approx.* (heures)	Vérifier la cuisson
Fruit Pommes	Dans jus de citron ¼ t. et 2 t. d'eau, tranches ¼ po	11-15	Légèrement pliables
Bananes	Dans jus de citron ¼ t. et 2 t. d'eau, tranches ¼ po	11-15	Légèrement pliables
Cerises	Laver et assécher à la serviette. Pour les cerises fraîches, dénoyauter	10-15	Pliables, tannées, moelleuses
Pelures d'orange et tranches	¼ po d'épaisseur ; partie de la pelure finement pelée	Peels: 2-4 Slices: 12-16	Orange pelée, séchée et cassante. Tranches : sèches et cassantes, fruit légèrement humide
Tranches d'ananas	Séchées à la serviette	Canned: 9-13 Fresh: 8-12	Souples et pliables
Fraises	Lavées et séchées à la serviette. Tranches ½ po d'épaisseur, dessus sur la grille	12-17	Sèches et cassantes
Légumes Poivrons	Lavés et séchés à la serviette. Retirer la membrane, grossièrement coupés environ 1 po	16-20	Cassants sans humidité à l'intérieur
Champignons	Lavés et séchés à la serviette. Couper la tige. Morceaux de 1/8 po	7-12	Fermes et cassants, secs
Tomates	Lavés et séchés à la serviette. Tranches minces 1/8 po d'épaisseur. Bien drainer.	16-23	Sèches, rouges
Fines herbes Origan, sauge, persil et thym, et fenouil	Rincer et assécher à la serviette	Sécher à 120 °F de 3 à 5 heures	Croustillant et cassant
Basilique	Feuilles 3 à 4 po du haut. Vaporiser d'eau, secouer et assécher	Sécher à 120 °F de 3 à 5 heures	Croustillant et cassant

Le four demeure en circuit pendant 48 heures avant de se mettre automatiquement hors circuit.

Autonettoyage

Pendant l'autonettoyage, le four utilise une température très élevée pour brûler les graisses et les particules d'aliments.

- Comme caractéristique de sécurité, la porte du four se verrouille pendant l'autonettoyage pour protéger contre les températures élevées. Ne pas tenter d'ouvrir la porte pendant ce mode.
- Un seul four peut être autonettoyé à la fois. Le second four peut être utilisé pendant l'autonettoyage de l'autre four.
- Il est habituel de voir de la fumée et/ou un flambage occasionnel pendant ce mode, selon le contenu et la quantité de saleté restant dans le four. Si la flamme persiste, mettre le four hors circuit et le laisser refroidir avant d'ouvrir la porte et d'essuyer l'excès de saleté.
- L'éclairage ne fonctionne pas pendant l'autonettoyage.
- Ne pas utiliser de nettoyeurs à four de type commercial car ils peuvent endommager le fini ou les pièces.
- La chaleur et les odeurs sont normales pendant l'autonettoyage. Bien aéré la cuisine.

REMARQUE : à cause des températures élevées utilisées pour l'autonettoyage, de fines lignes ou une rugosité de la surface peuvent se développer dans la cavité. Ceci est une condition habituelle et ne modifie en rien la cuisson ou le rendement de nettoyage du four.

Avant l'autonettoyage

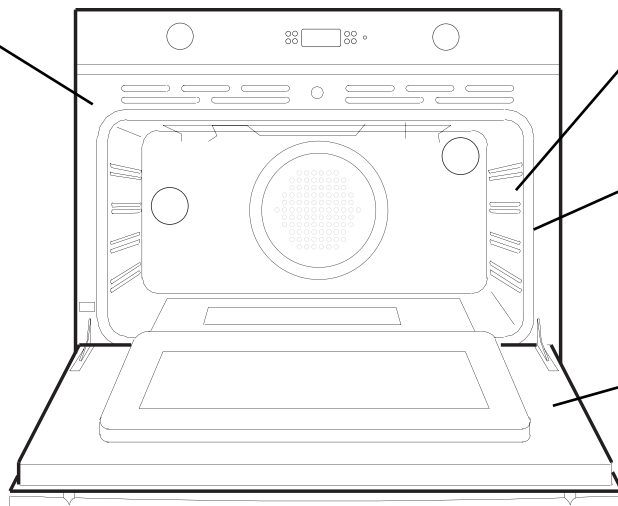
1. Nettoyer à la main le bord de la porte, hublot, cadre avant et bords de la cavité du four (voir figure ci-dessous). Ils ne deviennent pas assez chauds pendant le cycle de nettoyage pour brûler la saleté. Utiliser une éponge savonneuse, tampon en plastique ou S.O.S.®. **NE PAS FROTTER LE JOINT.**
2. Essuyer les déversements importants et la graisse avec un essuie-tout.
3. Retirer la lèchefrite, tout ustensile et plats.
4. Retirer les grilles du four. Si les grilles sont laissées dans le four pendant l'autonettoyage, elles perdront leur fini brillant et ne glisseront pas en douceur dans les guides. Voir « Nettoyage des surfaces du four » à la page 15 pour un entretien adéquat.
5. S'assurer que l'éclairage est hors circuit au panneau de contrôle et que l'ampoule et le couvercle sont en place.

Après le nettoyage

- Le mode autonettoyage peut produire des cendres au fond du four. Si cela se produit, enlever les cendres avec un chiffon humide avant d'utiliser le four.
- Essuyer les bords de grilles avec de l'huile de cuisson pour qu'elles grillent mieux. Essuyer l'excès.

IMPORTANT : s'assurer de laisser le verre du hublot de la porte refroidir complètement avant d'essuyer la cendre du cycle de nettoyage.

Nettoyer le cadre avant à la main



Nettoyer 1 ½ po du support de grille au devant de la cavité du four à la main.

NE PAS nettoyer le joint à la main

Nettoyer la porte et le cadre à la main

Figure 14 : avant l'autonettoyage

Autonettoyage

Réglage du mode autonettoyage :

1. Retirer les grilles et fermer la porte du four.
2. Tourner les deux boutons à **CLEAN** (nettoyage).

REMARQUE :

Si la porte est ouverte pendant que le mode autonettoyage est sélectionné, le voyant verrouillage clignote. L'autonettoyage ne commence pas tant que la porte n'est pas fermée.

CLEAN et **TIME** figurent à l'affichage.

Le four nettoie pendant 3 heures. À la fin, il se met automatiquement hors circuit.

END (fin) figure à l'affichage, **CLEAN** et **TIME** clignotent jusqu'à ce qu'une touche soit pressée ou que le bouton soit réglé à **OFF**.

Changement du temps de nettoyage

Le temps préréglé est 3 heures. Pour la saleté légère, utiliser 2 heures ; pour la saleté tenace, 4 heures.

1. Régler le mode autonettoyage comme indiqué ci-dessus.
2. **Presser COOK TIME** (temps cuisson).
3. **Presser +** ou **-** pour changer le nombre d'heure.
4. **Presser COOK TIME** deux fois.

Mise en marche différée du nettoyage

Remarque : l'heure du four doit être précise pour que le différé fonctionne adéquatement.

1. Régler le mode autonettoyage comme indiqué ci-dessus.
2. Changer le temps de nettoyage comme indiqué ci-dessous (si désiré).
3. Régler l'heure de mise en marche de l'autonettoyage.

Presser STOP TIME (heure arrêt) deux fois.

Presser + ou **-** pour régler l'heure.

Presser STOP TIME.

Presser + ou **-** pour régler les minutes

Presser STOP TIME.

La porte du four se verrouille et **DELAY** (différé) figure à l'affichage.

4. Lorsque le différé prend fin, l'autonettoyage commence.

À la fin du temps programmé, le four se met automatiquement hors circuit.

END (fin) figure à l'affichage. **CLEAN** (propre) et **TIME** (temps) clignotent jusqu'à ce qu'une touche soit pressée ou un bouton tourné à **OFF**.

POUR ANNULER :

Pour annuler l'autonettoyage, tourner le bouton à **OFF**. La porte du four demeure verrouillée tant que la température n'est pas sécuritaire.

Concernant le verrouillage de la porte

Ne pas tenter d'ouvrir la porte pendant qu'elle se verrouille.

Le symbole de verrouillage figure tant que la porte est verrouillée.

vérifier si la porte est bien verrouillée et qu'elle ne sera pas ouverte avant de commencer l'autonettoyage.

Si la porte ne se verrouille pas, tourner le bouton à **OFF** et ne pas actionner l'autonettoyage. Téléphoner au 800.944.2904.

CONSEIL :

Pour vérifier le **temps de différé**, presser **COOK TIME**.

Pour vérifier le **temps résiduel avant que ne commence le mode différé**, presser **STOP TIME**.

Nettoyage des surfaces du four

Tableau 7 : méthodes de nettoyage des surfaces.

Surface	Méthode de nettoyage
Grilles mode (four), grilles	Laver avec de l'eau chaude savonneuse. Rincer et assécher ou frotter légèrement avec des tampons savonneux comme indiqué. Si les grilles sont nettoyées dans le four pendant l'autonettoyage, elles perdront leur fini et peuvent ne pas glisser adéquatement. Si cela se produit, essuyer les bords avec une petite quantité d'huile végétale, puis essuyer l'excès.
Tressage en fibre de verre (joint)	NE PAS NETTOYER LE JOINT À LA MAIN.
Verre (hublot, affichage)	Laver avec de l'eau savonneuse ou un nettoyant pour le verre. Utiliser Fantastik® ou Formula 409® pour enlever les éclaboussures de graisse et les taches tenaces.
Pièces peintes (extérieur)	Nettoyer avec de l'eau chaude savonneuse ou avec du Fantastik® ou Formula 409® sur un chiffon et nettoyer. Éviter d'utiliser un produit en poudre, des tampons en laine d'acier ou du nettoyant à four.
Porcelaine (intérieur)	Essuyer immédiatement les déversements acides comme le jus de fruits, lait, tomate avec un chiffon sec. Ne pas utiliser une éponge ou un chiffon humide sur la porcelaine chaude. Lorsque refroidie, nettoyer avec de l'eau chaude savonneuse ou appliquer du Bon-Ami® ou Soft Scrub® sur une éponge humide. Rincer et assécher. Pour les taches tenaces, utiliser délicatement un tampon savonneux. Il est normal que la porcelaine ait des lignes fines avec le temps, cela causé par la chaleur et les déversements d'aliments.
Acier inoxydable (extérieur)	Toujours essuyer ou frotter avec le grain. Nettoyer avec une éponge savonneuse, puis rincer et assécher ou essuyer avec du Fantastik® ou Formula 409® vaporisé sur un essuie-tout. Protéger et polir avec Stainless Steel Magic® et un chiffon doux. Enlever les taches d'eau avec un chiffon humide de vinaigre blanc. Utiliser Bar Keeper's Friend® pour enlever la décoloration par la chaleur.
Plastique (boutons, contrôles)	Lorsque refroidi, nettoyer avec de l'eau chaude savonneuse, rincer et assécher.

Remplacement de l'éclairage du four

- Chaque four est doté de deux ampoules halogènes situées dans la paroi arrière du four.
- L'éclairage s'allume lorsque la porte est ouverte ou lorsque le four est à un cycle de cuisson.
- L'éclairage ne s'allume pas pendant l'autonettoyage.
- Chaque assemblage d'éclairage comprend un couvercle amovible, une ampoule et une douille fixée en place (voir figure 17, page suivante).

Pour remplacer l'ampoule (voir figure 17, page suivante)

1. Lire l'AVERTISSEMENT sur cette page.
2. Fermer l'alimentation à l'alimentation principale (fusible ou coupe-circuit).
3. Dévisser la lentille et enlever.
4. Tirer droit sur l'ampoule pour l'enlever de la douille.
5. Remplacer par une nouvelle ampoule. Éviter de presser l'ampoule avec les doigts ; l'huile des mains peut endommager l'ampoule lorsqu'elle devient chaude.
6. L'ampoule est de type halogène 12 V – 20 W.
7. Remettre le couvercle en le vissant.
8. Remettre le couvercle du ventilateur (si applicable).
9. Remettre l'alimentation principale au circuit (fusible ou coupe-circuit).



AVERTISSEMENT

- S'assurer que le four et les ampoules sont froids et que l'alimentation est hors circuit avant de remplacer les ampoules. Sinon, il peut en résulter un choc électrique ou des brûlures.
- Les lentilles doivent être en place pour utiliser le four.
- Les lentilles servent à protéger les ampoules contre le bris.
- Les lentilles sont fabriquées en verre. Les manipuler avec soin pour éviter de les briser. Du verre brisé peut causer des blessures.

Retrait de la porte du four

AVERTISSEMENT

- S'assurer que le four est froid et que l'alimentation est hors circuit avant d'enlever la porte, sinon il peut en résulter un choc électrique ou des brûlures.
- La porte du four est lourde et fragile. Utiliser les deux mains pour enlever la porte. Le devant est en verre. Manipuler avec soin pour éviter les bris.
- Saisir seulement les côtés de la porte. Ne pas saisir la poignée car elle peut glisser des mains et causer des dommages et des blessures.
- Si l'on ne saisit pas la porte fermement et adéquatement cela peut causer des dommages ou des blessures.

AVERTISSEMENT

Pour éviter des blessures des fixations de charnière qui s'enclenchent, s'assurer que les deux leviers sont sécuritaires avant d'enlever la porte. De plus, ne pas forcer la porte ouverte ou fermée ; la charnière peut être endommagée et causer des blessures.

Pour enlever la porte du four

1. S'assurer de lire l'AVERTISSEMENT ci-dessus avant d'enlever la porte du four.
2. Ouvrir la porte complètement.
3. Soulever les fixations de charnière (une de chaque côté) des fentes (figure 15).
4. Fermer légèrement la porte jusqu'à ce que les fixations se verrouillent en place.
5. Fermer la porte à environ mi-chemin (jusqu'à ce qu'elle s'arrête).
6. Saisir fermement les deux côtés.
7. Tirer droit et vers le haut. Placer la porte dans un endroit stable.

Pour réinstaller la porte

1. Maintenir fermement les deux côtés de la porte, insérer les charnières vers le bas et dans les fentes.
2. Ouvrir complètement la porte afin que les fixations de charnière (une de chaque côté) se dégagent.
3. Ouvrir et fermer la porte lentement et complètement pour vérifier l'installation.

La porte devrait se fermer facilement et être droite, non croche.

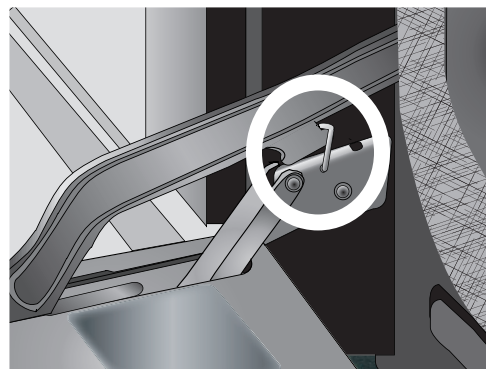


Figure 15 : fixation de charnière verrouillée en place

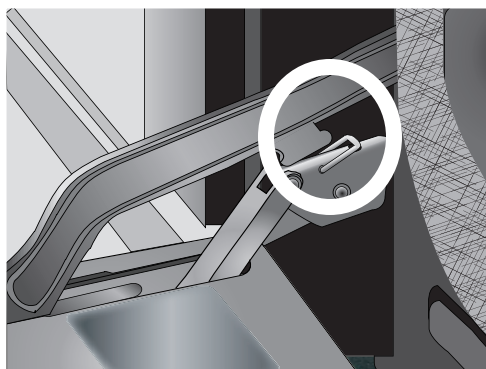


Figure 16 : fixation de charnière dégagée

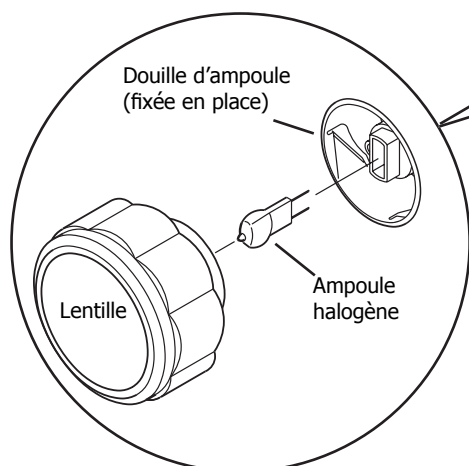
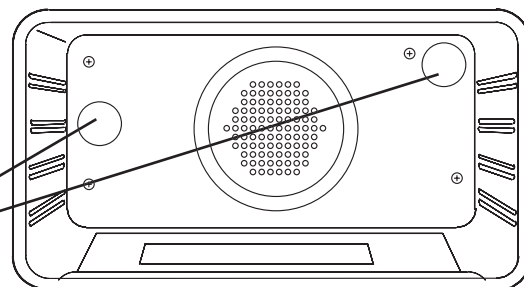


Figure 17 : éclairage du four



Marches à suivre à faire soi-même

Pour actionner le mode Sabbat :

Lorsque actionné, le four cuit pendant 72 heures avant de se mettre hors circuit automatiquement. Le mode Sabbat est conforme aux croyances religieuses avec les exigences « pas de travail »,

1. Presser et maintenir SET CLOCK (réglage pendule) et TIMER (minuterie) jusqu'à ce que SELE dEG figure.
2. Presser + ou – jusqu'à ce que SAb figure.
3. Presser SET CLOCK.
4. Presser + ou – pour choisir le format (choisir ON pour activer le mode ; OFF pour le mettre hors circuit).
5. Maintenir SET CLOCK jusqu'à ce que la pendule figure à l'affichage.
Il y a un délai de 5 minutes où ce qui suit peut être réglé.
6. Tourner le bouton à BAKE (cuisson).
7. Tourner le bouton pour régler TEMPÉRATURE.
8. Presser LIGHT (éclairage) pour mettre l'éclairage en ou hors circuit.
9. Répéter les étapes 8 à 10 pour le deuxième four si désiré (four double seulement).

Après 5 minutes, le mode Sabbat est actionné. La température ne figure plus à l'affichage. Seule l'heure, « SAb » et l'icône du four figurent. L'éclairage de préchauffage et les tonalités sont désactivés.

L'éclairage du four ne peut être modifié une fois que le mode Sabbat est commencé.

Le mode Sabbat s'annule automatiquement après 72 heures. Pour annuler le mode plus tôt, tourner le bouton à OFF.

Changer le format pendule :

Le four est pré-réglé en format 12 heures et peut être réglé pour 24 heures.

1. Presser et maintenir SET CLOCK et TIMER jusqu'à ce que SELE dEG figure.
2. Presser + ou – jusqu'à ce que Hr figure.
3. Presser SET CLOCK.
4. Presser + ou – pour sélectionner le format (choisir 12 pour 12 heures et 24 pour 24 heures).
5. Maintenir SET CLOCK jusqu'à ce que la pendule s'affiche.

Pour changer le format température :

Le four est réglé en format Fahrenheit et peut être changé en Celsius.

1. Presser et maintenir SET CLOCK et TIMER jusqu'à ce que SELE dEG figure.
2. Presser SET CLOCK.
3. Presser + ou – pour choisir le format °C pour Celsius et °F pour Fahrenheit).
4. Maintenir SET CLOCK jusqu'à ce que la pendule figure à l'affichage.

Pour changer la calibration de température :

Le thermostat électronique a été calibré adéquatement. Toutefois, si les résultats de brunissage sont trop pâles ou foncés, augmenter ou diminuer le réglage.

1. Presser et maintenir SET CLOCK et TIMER jusqu'à ce que SELE dEG figure.
2. Presser + ou – jusqu'à ce que OFS figure.
3. Presser SET CLOCK.
4. Presser UPPER LOWER (supérieur/inférieur) pour choisir le four (four double seulement).
5. Presser + ou – pour régler le nombre de degrés de différence.
6. Maintenir SET CLOCK jusqu'à ce que la pendule figure à l'affichage.

REMARQUE : le décalage de température disponible est de + ou -35 °F. Un changement de la calibration modifie tous les modes.

Changer la tension de fonctionnement

Le four est pré-réglé pour une utilisation avec 240 VAC. Si la résidence est à 208 VAC, changer la tension du four.

La conversion au 208 V doit être effectuée par un technicien qualifié. Communiquer avec un marchand d'électroménagers ou le service Bosch au 800.944.2904.

Aide – cuisson

Vérifier le tableau ci-dessous pour les problèmes de cuisson les plus courants. Puisque le format, la forme et le matériau des plats modifient directement les résultats de cuisson, la meilleure solution est de remplacer les vieux plats de cuisson qui ont foncé et voilé avec l'usure. Vérifier aussi le tableau de cuisson à convection à la page 9, la position des grilles et le temps de cuisson.

Tableau 8 : aide - cuisson

Problème de cuisson	Cause
Aliments brunissant non uniformément	<ul style="list-style-type: none">- Four non préchauffé.- Papier aluminium sur la grille ou au fond du four.- Plat de cuisson trop grand pour la recette.- Plat touchant aux autres plats ou la paroi du four.
Aliment trop brun au fond	<ul style="list-style-type: none">- Four non préchauffé.- Utilisation de plat en verre, mat ou foncé.- Position de grille incorrecte.- Plat touchant aux autres plats ou la paroi du four.
Aliment sec ou ayant rétréci.	<ul style="list-style-type: none">- Température du four trop élevée.- Temps de cuisson trop long.- Porte du four trop souvent ouverte.- Plat trop grand.
Aliment cuisant ou rôtissant trop lentement	<ul style="list-style-type: none">- Température du four trop basse.- Four non préchauffé.- Porte ouverte trop souvent.- Scellé hermétiquement avec du papier aluminium.- Plat trop petit.
Croûte à tarte non brunie au fond ou croûte non cuite	<ul style="list-style-type: none">- Temps de cuisson pas assez long.- Utilisation de plat en acier brillant.- Position de grille incorrecte.- Température du four trop basse.
Gâteau pâle, plat ou non cuit à l'intérieur	<ul style="list-style-type: none">- Température du four trop basse.- Temps de cuisson incorrect.- Gâteau vérifié trop tôt.- Porte du four trop souvent ouverte.- Plat trop grand.
Gâteau haut au centre avec craquelure sur le dessus	<ul style="list-style-type: none">- Température de cuisson trop élevée.- Temps de cuisson trop long.- Plat touchant aux autres plats ou à la paroi du four.- Position de grille incorrecte.- Plat trop petit.
Bords de croûte de tarte trop bruns	<ul style="list-style-type: none">- Température du four trop élevée.- Bords de croûte trop minces.

Aide – fonctionnement

Avant de placer un appel de service, vérifier ce qui suit :

Tableau 9 : aide – fonctionnement

Problèmes avec le four	Étapes pour résoudre un problème
Erreur F03 ou F04 figurant à l'affichage	Un problème de verrouillage est survenu. Mettre l'alimentation hors circuit et remettre en circuit après quelques secondes. Le four devrait effectuer un test de verrouillage. Si la condition persiste, noter le code d'erreur et téléphoner à un centre de service autorisé.
Autre erreur F____ figurant à l'affichage	Mettre l'appareil hors circuit et remettre en circuit après quelques secondes. Si la condition persiste, noter le code d'erreur et téléphoner à un centre de service autorisé.
Ventilateur de refroidissement continuant à fonctionner une fois le four hors circuit.	Ceci est normal. Le ventilateur se met automatiquement hors circuit lorsque les composants électroniques ont suffisamment refroidi.
La porte est verrouillée et ne s'ouvre pas même après le refroidissement.	Mettre le four hors circuit au coupe-circuit et attendre quelques secondes. Réenclencher le coupe-circuit. Le four devrait se réinitialiser et fonctionner.
Le four ne chauffe pas	S'assurer que la température est sélectionnée. Vérifier le coupe-circuit ou le fusible au panneau électrique résidentiel. S'assurer que l'alimentation électrique appropriée est appliquée au four.
Le four ne cuit pas uniformément.	Vérifier la calibration du four, la régler au besoin (voir page 17, décalage). Voir les tableaux de cuisson pour les positions de grilles. Toujours réduire la température de la recette de 25 °F pour le mode cuisson à convection.
La température du four est trop froide ou chaude.	Le thermostat du four doit être réglé. Voir Calibration de la température du four, page 17.
L'éclairage du four ne fonctionne pas adéquatement.	Remplacer ou réinsérer l'ampoule si elle est lâche ou défectueuse. Voir page 15. Le fait de toucher l'ampoule avec les doigts peut faire griller l'ampoule.
L'éclairage du four demeure en circuit.	L'éclairage s'allume automatiquement lorsque le four commence à chauffer. Presser LIGHT pour mettre hors circuit. Si le four est hors circuit, vérifier s'il y a une obstruction dans la porte du four ou si la charnière est pliée.
Ne peut enlever la lentille de l'ampoule.	Il peut y avoir une accumulation de saleté autour de la lentille. Essuyer avec un chiffon propre et sec avant d'enlever le couvercle.
Le four ne s'autonettoie pas correctement.	Laisser le four refroidir avant l'autonettoyage. Toujours essuyer les résidus et les déversements avant d'effectuer l'autonettoyage. Si le four est très sale, régler l'autonettoyage à 4 heures. Voir page 13.
La pendule et la minuterie ne fonctionnent pas adéquatement.	S'assurer que l'alimentation appropriée est appliquée au four. Voir les rubriques sur la pendule et la minuterie aux pages 2 et 8.
Humidité excessive.	Avec le mode cuisson, préchauffer d'abord le four. La cuisson à convection élimine toute humidité du four (c'est un des avantages de la convection).
Éclats de porcelaine.	Lorsque les grilles sont enlevées ou remises en place, toujours incliner vers le haut et ne pas les forcer pour éviter les éclats.

COMMENT OBTENIR UN SERVICE

Pour un centre de service autorisé ou de l'information sur les pièces, téléphoner au 800.944.2904

La satisfaction du client nous tient à coeur. Si un problème survient et n'est pas résolu à la satisfaction du client, écrire au service à la clientèle Bosch, 5551 McFadden Avenue, Huntington Beach, CA 92649 ou téléphoner au 800.944.2904.

Inclure les numéros de modèle et de série et la date d'achat d'origine et d'installation.

Garantie

Énoncé de garantie limitée

Les garanties fournies par BSH Home Appliances (« Bosch ») dans cet énoncé de garantie limitée s'appliquent aux fours encastrés Bosch (« fours encastrés ») vendus au consommateur, le premier acheteur utilisateur, en autant que le four encastré ait été acheté (1) pour une utilisation personnelle et non pour la revente et (2) aux États-Unis ou au Canada et est situé dans le pays d'achat. Comme utilisé dans l'énoncé de garantie limitée, le terme « date d'installation » réfère à la première date d'installation du four encastré ou dix (10) jours ouvrables après la date de vente du four encastré au premier acheteur. Les garanties énoncées dans la présente s'appliquent seulement au premier acheteur utilisateur et ne sont pas transférables.

Garantie limitée standard

Bosch garantit que le four encastré ne présente pas de défauts de matériaux et de fabrication pendant une période de douze (12) mois de la date d'installation. Pendant la période de garantie, Bosch ou son centre de service autorisé réparera ou remplacera, à sa discrétion, tout four encastré présentant un défaut dans des conditions d'utilisation normales sans frais. Toutes les pièces enlevées et composants deviennent la propriété de Bosch, au choix de Bosch. Toutes les pièces remplacées et/ou réparées seront semblables à la pièce d'origine à des fins de cette garantie et cette garantie ne sera pas prolongée en regard de ces pièces.

Autres conditions des garanties limitées

Les garanties indiquées dans cet énoncé de garantie limitée excluent tout défaut ou dommage résultant de (1) l'utilisation du four encastré à d'autres fins que l'utilisation normale et habituelle (l'utilisation commerciale du four encastré n'est pas un usage normal ou habituel), (2) mauvaise utilisation, abus, accidents ou négligence, (3) fonctionnement, entretien, installation inappropriés ou service non autorisé, (4) ajustement ou réglage ou modification de toute sorte, (5) manquement à la conformité des codes provinciaux, locaux, municipaux et régionaux électriques et/ou de construction applicables, (6) déversements d'aliments ou de liquides et (7) forces externes tels inondation, incendie, actes de Dieu ou autres circonstances hors du contrôle de Bosch. Également exclus de la garantie, égratignures et dommages aux surfaces externes et pièces exposées ou four encastré dont les numéros de série ont été modifiés, effacés ou enlevés.

Selon ce qui est permis par la loi, cette garantie établit des solutions exclusives en regard des produits couverts par la garantie, que la réclamation survienne par contrat ou tort (incluant stricte responsabilité et négligence) ou autrement. Bosch ne peut être tenu responsable des dommages accessoires ou intérêts, pertes ou dépenses.

CETTE GARANTIE EST EN LIEU DE TOUTE AUTRE GARANTIE EXPRESSE. TOUTE GARANTIE TACITE PAR LOI, DE COMMERCIALISATION OU À DES FINS PARTICULIÈRES OU AUTREMENT, SERA EFFECTIVE POUR SEULEMENT LA PÉRIODE EXPRESSÉMENT EFFECTIVE. Aucune tentative de modifier ou amender cette garantie ne peut être effectuée sans l'autorisation par écrit d'un représentant de BSH.

Comment obtenir un service sous garantie

Pour obtenir un service sous garantie pour le four encastré, communiquer avec un centre de service autorisé Bosch. BSH Home Appliances • 5551 McFadden Avenue, Huntington Beach, CA 92649 • 800.944.2904.

Données de service

L'emplacement du numéro de série sur le produit est visible lorsque la porte du four est ouverte. Il est situé sur le centre gauche, centré verticalement, juste à l'intérieur de la cavité du four. Voir page 3. Noter cette information dans l'espace prévu à cet effet, ci-dessous. Conserver la facture pour valider la garantie. Pour obtenir un service, voir page 19.

N° de modèle
N° de série
Date d'installation ou d'occupation



Instrucciones Importantes de Seguridad

Por favor lea todas las instrucciones antes de utilizar este aparato.

Con el uso apropiado, su nuevo horno de Bosch ha sido diseñado para ser un aparato seguro y confiable. **Lea todas las instrucciones cuidadosamente antes de utilizar este aparato. Estas precauciones reducirán el riesgo de sufrir quemaduras, descargas eléctricas, fuego y lesiones. Al utilizar aparatos de cocina, se deben seguir precauciones básicas de seguridad, incluyendo las siguientes:**

- Este aparato debe ser instalado y aterrizado correctamente por un técnico calificado. Conecte sólo a una toma de corriente aterrizada. Consulte las instrucciones de preparación y conexión eléctrica en las instrucciones de instalación.
- Sólo un técnico calificado debe dar el servicio a este aparato. Contacte al centro de servicio autorizado más cercano para la inspección, reparación o ajustes.
- No repare o reemplace ninguna parte del horno a menos que fue recomendado específicamente. Solicite servicio en un centro de servicio autorizado.
- No opere esta unidad si no funciona bien o si fue dañada hasta que un técnico de servicio autorizado la haya revisado.
- Instale o ponga este aparato sólo de acuerdo con las instrucciones de instalación.
- Utilice este horno sólo para el uso intencionado por el fabricante. Si tiene alguna pregunta, contacte al fabricante.
- No tape u obstruya ninguna abertura en este aparato.
- Use este aparato sólo para el uso intencionado como se describe en este manual. No use químicos corrosivos, vapores, inflamables o productos no alimenticios en este aparato. Este tipo de horno está diseñado específicamente para calentar o cocinar alimentos. No está diseñado para uso industrial o de laboratorio. El uso de químicos corrosivos cuando calienta o limpia el horno dañará el aparato.
- En el caso de encenderse la ropa o el cabello, **ÉCHESE AL PISO Y DÉSE VUELTAS DE INMEDIATO** para apagar las llamas.
- Este horno está diseñado para uso residencial sólo. No está aprobado para el uso en exteriores.

CON RESPECTO A PÁJAROS

Pájaros tienen sistemas respiratorios muy sensibles. Mantenga los pájaros fuera de la cocina u otras habitaciones donde los puedan alcanzar los vapores de la cocina. Durante la autolimpieza, se liberan humos que pueden ser nocivos para pájaros. Otros vapores de la cocina, como el sobrecalentar margarina y aceites para cocinar pueden ser nocivos también.

- No permita que niños utilicen este aparato a menos que estén supervisados por un adulto. Nunca se deben dejar solos a los niños y mascotas en el área donde se usa el aparato. Nunca se les debe permitir sentarse o pararse sobre ninguna parte del horno.
- No almacene cosas de interés para los niños arriba del horno. Cuando los niños se suben al aparato para alcanzar estas cosas, pueden sufrir heridas serias.

Para reducir el riesgo de un fuego dentro del horno:

1. No guarde materiales inflamables dentro o cerca del horno
2. No use agua con un incendio de grasa. Apague el fuego con un extinguidor químico de polvo o tipo espumar.
3. Tenga disponible un extinguidor de fuego apropiado, a la mano, altamente visible cerca de cualquier aparato de cocina. Sepa cómo usarlo.
4. No recueza los alimentos. Vigile el horno bien cuando utiliza cosas de papel o plástico u otros materiales combustibles dentro del horno.
5. No utilice el horno para almacenar cosas. Nunca deje productos de papel, utensilios de cocina o alimentos dentro del horno cuando no se usa.
6. En caso que se enciendan materiales dentro del horno, mantenga cerrada la puerta. Apague el horno y desconecte el circuito en la caja del cortacircuito.
7. No obstruya los ductos de ventilación del horno.
8. Asegúrese que funcione el ventilador cuando opera el horno. En caso contrario no use el horno. Llame a un centro de servicio autorizado.
9. Nunca utilice el horno para calentar una habitación. Esto puede dañar las partes del horno.
10. Use ropa apropiada por cuestión de seguridad. Nunca use prendas sueltas o los que tengan mangas largas mientras que utiliza este aparato.



ADVERTENCIA

La Ley del Estado de California para Agua Potable y Tóxicos requiere que las empresas adviertan a sus clientes de la exposición potencial ante sustancias conocidas que causan cáncer, defectos de nacimiento u otros daños reproductivos.

La eliminación de residuos durante la autolimpieza genera algunos derivados que están en esta lista de sustancias.

Para minimizar la exposición a estas sustancias, siempre opere este horno de acuerdo a las instrucciones en este manual y proporcione una buena ventilación a la cocina durante e inmediatamente después de la autolimpieza.

Continúa en la siguiente página



Instrucciones Importantes de Seguridad

Por favor lea todas las instrucciones antes de utilizar este aparato.

PRECAUCIONES DE SEGURIDAD

- Recoja el cabello largo.
- Los elementos de calentamiento pueden estar calientes aún si son de un color oscuro. Las superficies internas de un horno pueden estar suficientemente calientes para causar quemaduras.
- Durante y después del uso, no permita que la ropa u otros materiales inflamables tengan contacto con los elementos de calentamiento o con la superficie interna del horno hasta que se hayan enfriado.
- La moldura en la parte superior y los costados de la puerta del horno puede calentarse suficientemente para causar quemaduras.
- Tenga cuidado cuando abra la puerta del horno. Abra la puerta ligeramente para dejar escapar el aire o vapor caliente antes de sacar los alimentos.
- No caliente o recaliente contenedores de alimentos cerrados. La presión acumulada puede causar la ruptura del contenedor y causar lesiones.
- Siempre coloque las rejillas del horno en el lugar deseado cuando el horno está frío. Cuando deba mover una rejilla mientras que el horno esté caliente, evite el contacto de la agarradera de la olla con los elementos calientes.
- Siempre use agarraderas secas para las ollas. Las agarraderas mojadas o húmedas sobre superficies calientes pueden causar quemaduras por el vapor. Evite el contacto de las agarraderas con los elementos calientes. No use una toalla u otro trapo estorboso.

PRECAUCIONES DE SEGURIDAD CON LA AUTOLIMPIEZA DEL HORNO

- Confirme que se cierra la puerta y que no se abrirá una vez que aparezca el icono de la puerta cerrada. Si la puerta no se cierra, oprima Horno OFF y no ejecute la autolimpieza. Llame al 800-944-2904 para servicio (vea la página 19 para obtener servicio).
- Nota: Durante un ciclo de autolimpieza normal y un ciclo de autolimpieza retardado, la puerta se cierra dentro de 25 a 30 segundos tras oprimir el botón Start (inicio).
- No limpie el empaque de la puerta. Es esencial para un sellado bueno. Debe tener cuidado de no frotar, dañar, mover o quitar el empaque de la puerta.
- No use detergentes comerciales para hornos o recubrimientos de protección de ningún tipo en o alrededor de alguna parte del horno.
- Limpie sólo las partes del horno listadas en este manual.
- **Quite la bandeja de asado, las rejillas del horno, todas las rejillas del horno, otros utensilios y limpie derrames excesivos de alimentos** antes de autolimpiarse el horno.
- Escuche si funciona el ventilador. Si no oye el ventilador, llame al servicio. Vea la página 19.

Comenzar

Para poner el reloj:

1. **Oprima SET CLOCK (Fijar la hora).** Las horas parpadean y **CLOCK** aparece en la pantalla.
2. **Oprima + o -** para fijar la hora.
3. **Oprima SET CLOCK.** Los minutos parpadean.
4. **Oprima + o -** para fijar los minutos.
5. **Oprima SET CLOCK**

El reloj aparece en la pantalla en todo momento excepto cuando se esté ejecutando el cronómetro o una operación de cocinar con conómetro.

Para utilizar las luces del horno:

1. **Oprima LIGHT (Luz)** para prender o apagar las luces del horno
En hornos dobles se prenderán o se apagarán las luces en ambos hornos juntas. Para controlar las luces solamente en un horno:
 1. **Oprima UPPER/LOWER (Superior / Inferior)** para seleccionar el horno
 2. **Oprima LIGHT** para prender o apagar las luces.

Las luces del horno se prenden automáticamente al:

- abrir la puerta.
- prender el horno.

Las luces del horno se apagan automáticamente al:

- apagar el horno.
- cancelar el modo del horno.

Las luces no funcionan en el modo de autolimpieza.

Comenzar

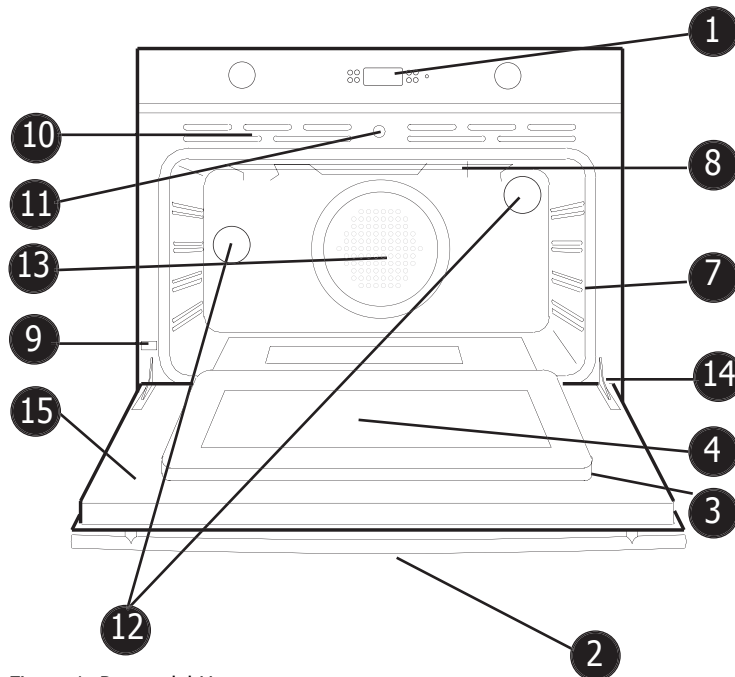


Figura 1: Partes del Horno

Partes y Accesorios del Horno:

- | | |
|---|--|
| 1 Panel de Control | 10 Aberturas de enfriamiento del horno (ambos hornos) |
| 2 Agarradera de la puerta | 11 Bloqueo automático de la puerta (uno por horno) |
| 3 Empaque de la puerta del horno (uno por horno) | 12 Lámparas de halógeno del horno (2 en cada horno) |
| 4 Ventana | 13 Ventilador de convección y tapa (uno por horno) |
| 5 Rejillas removibles del horno; 2-5 dependiendo del modelo de horno (no aparecen) | 14 Bisagra de la puerta |
| 6 Bandeja y rejilla de asado (no aparecen) | 15 Puerta removible del horno |
| 7 Guías de posición de rejillas (4 en cada horno) | 16 Juego de literatura |
| 8 Elemento para asar (uno en cada horno) | |
| 9 Placa con # de Serie y Modelo | |

Comenzar

Panel de Control del Horno

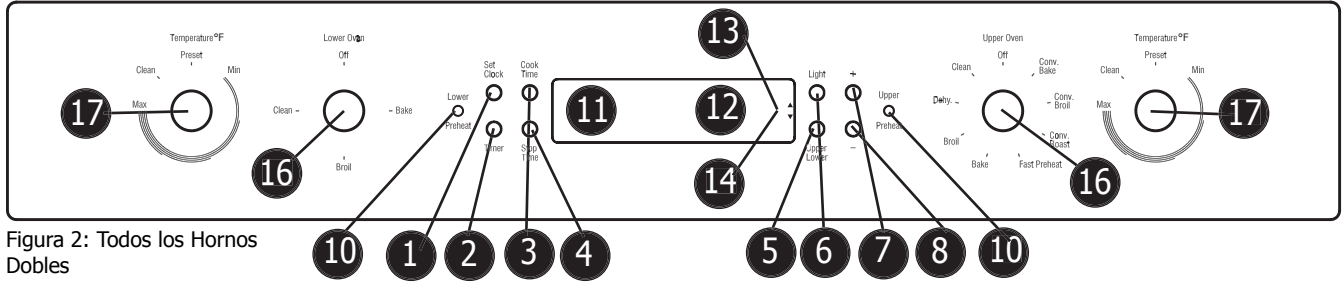


Figura 2: Todos los Hornos Dobles



Figura 3: Hornos Sencillos Modelos HBL504 y HBN54

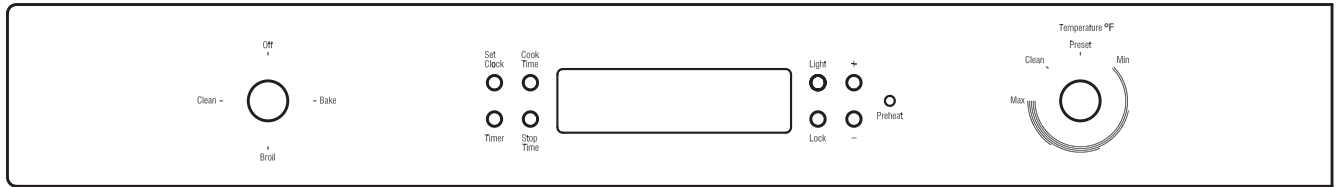


Figura 4: Hornos Sencillos Modelo HBL503

Botones de comandos

- SET CLOCK:** Oprima para fijar o cambiar la hora del día
- TIMER:** Oprima para fijar o borrar el cronómetro.
- COOK TIME:** Oprima para fijar un modo de cocinar con cronómetro (el tiempo para cocinar).
- STOP TIME:** Oprima para fijar el tiempo de terminación en un modo de cocinar retardado.
- UPPER LOWER** (Sólo hornos dobles): Oprima para seleccionar el horno superior o inferior antes de fijar las luces, etc.
- LIGHT:** Oprima para prender o apagar las luces.
- +**: Oprima para aumentar el tiempo en una de las funciones de arriba por un minuto a la vez. Oprima y mantenga oprimido para aumentar por 10 minutos a la vez.
- : Oprima para disminuir el tiempo en una de las funciones de arriba por un minuto a la vez. Oprima y mantenga oprimido para disminuir por 10 minutos a la vez.
- LOCK:** Para hornos sencillos oprima y mantenga oprimido lock y los botones + al mismo tiempo para activar o desactivar el bloqueo de seguridad. Para hornos dobles, oprima y mantenga oprimido los botones + y - para activar o desactivar el bloqueo de seguridad (use el botón Upper Lower (Superior / Inferior) para seleccionar el horno primero). Esta función bloquea la puerta del horno por cuestiones de seguridad.

Pantalla

- PREHEAT LIGHT** (uno por cada horno): Se ilumina cuando se está precalentando el horno.
- TIME:** Dígitos verdes a la izquierda de la pantalla. Indica la hora del día y el cronómetro.
- LA TEMPERATURA:** Dígitos rojos a la derecha de la pantalla. Indica la temperatura seleccionada del horno.

- BOX ICONS** (sólo hornos dobles): El icono verde indica cuál horno está activo.
- LOCK ICONS:** Iconos rojos que aparecen dentro de los iconos de cuadro (box icons). Indican que la puerta está cerrada (bloqueada).
- DISPLAY TEXT:** Indica las funciones activas (texto fijo) y las funciones que requieren de información proporcionada por el usuario (texto parpadeante).

Perillas

- MODE** (uno por cada horno): gire la perilla para seleccionar el modo de cocinar.
- LA TEMPERATURA** (uno por cada horno): gire la perilla para cambiar la temperatura del horno. Cuando se selecciona **PRESET** (Prefijado), se utiliza la temperatura por default.

Otras Características

- PITIDOS:** Un pitido señala que se aceptó la entrada de información, dos pitidos señalan que la entrada de información es inválida.
- CÓDIGOS DE NÚMEROS F:** Aparecen en la pantalla cuando el control detecta un problema en el horno o sus componentes electrónicos. Vea la sección sobre Ayuda, página 19, para mayor información.
- TEMPERATURAS POR DEFAULT:** Cada modo de cocinar tiene una temperatura por default que aparece cuando se gira la perilla de la temperatura a **PRESET** (Prefijado). La temperatura por default es la más común para el modo.
- MODO SABATINO:** Cuando se activa, el horno honrará por 73 horas antes de apagarse automáticamente. El modo Sabatino es para religiones que no permiten "trabajar" los Sábados.

Consejos Generales para el Horno

Sugerencias para el Uso

- Use las tablas de cocinar como una guía.
- No ponga los moldes sobre una puerta abierta del horno.
- Utilice la luz interna del horno para mirar los alimentos a través de la ventana del horno en lugar de abrir la puerta frecuentemente.
- Coloque los moldes en el centro del horno.

Ventajas del Cocinar de Convección

- Horneado uniforme.
- Los jugos y sabores quedan sellados adentro.
- Alimentos que se elevan con aire como bollos de crema, suflés, merengues y masa de levadura salen más elevados y más ligeros.
- Cocinar con múltiples rejillas sin transferir el sabor.
- No se requieren moldes especiales para hornear.
- Con el asado de convección se pueden asar cortes más gruesos de carnes.
- Ahorra tiempo y energía.

Acerca del Cocinar de Convección*

Los modos normales de cocinar (horneado, asado, etc.) utilizan calor radiado desde uno o más elementos para cocer los alimentos. Los modos de convección utilizan tanto el calor de los elementos como un ventilador en la parte trasera del horno para circular el aire caliente continuamente a través del horno.

El resultado es una cocción más rápida y uniforme. Los modos de convección sellan la humedad natural y los sabores y pueden además ahorrar tiempo y energía puesto que se pueden cocer la mayoría de los alimentos con temperaturas más bajas y en menos tiempo (nunca debe reducir la temperatura cuando prepara carnes).

Además se reduce el tiempo de cocción debido a que se pueden utilizar múltiples rejillas a la vez. Usted puede hornear varias bandejas de galletas o varios platillos diferentes al mismo tiempo.

El horno utiliza la convección también para deshidratar. El bajo calor de los elementos es circulado a través del horno por el ventilador de convección para lentamente eliminar la humedad.

Consulte los "Modos de Cocinar" en este manual para mayor información sobre cada modo de convección.

Precalentar el Horno

- Precaliente el horno cuando utiliza los modos de horneado y horneado de convección a menos que la receta recomienda otra cosa.
- Use el modo de precalentar rápido para acortar el tiempo del modo de precalentado.
- Seleccionar una temperatura más alta no acorta el tiempo del precalentado.
- Se necesita precalentar para obtener buenos resultados al hornear pasteles, galletas, pastelitos y panes.
- Coloque las rejillas del horno en su posición correcta antes de precalentar.
- Durante el precalentado la pantalla muestra la temperatura de cocción seleccionada.
- Un pitido confirmará que el horno está precalentado y se apagará la luz indicadora del precalentado.
- Cuando opera con 208V, el tiempo de precalentado puede ser ligeramente mayor.

Moldes para Hornear

- Los moldes de vidrio absorben el calor. Reduzca la temperatura del horno 25°F (~4°C) cuando hornea en moldes de vidrio.
- Utilice moldes que producen el dorado deseado. El tipo de acabado del molde ayuda a determinar la cantidad de dorado que se producirá en el horno.
- Moldes brillosos, suaves de metal o moldes anodizados de teflón reflejan el calor, resultando un dorado más ligero y más delicado. Pasteles y galletas requieren este tipo de molde.
- Los moldes oscuros, ásperos o sin brillo absorben el calor, produciendo una costra más dorada y crujiente. Utilice este tipo de molde para pays.
- Utilice moldes oscuros de teflón, o moldes metálicos oscuros no brillosos o de vidrio para una costra dorada.
- Los moldes aislados para hornear pueden aumentar la duración del tiempo recomendado de horneado.
- No hornee con la bandeja de asado vacía dentro del horno ya que esto puede cambiar el desempeño del horneado. Guarde la bandeja de asado fuera del horno.
- Utilice bandejas para galletas que miden 19"x14" o menos para obtener mejores resultados.

Datos Generales de la Operación del Horno:

Se opera el horno a través de perillas y botones de comandos en el panel de control.

Los modelos de horno sencillo tienen una perilla de modo. Los modelos con hornos dobles tienen dos perillas de modo (una para cada horno).

Los modelos de horno sencillo tienen una perilla de temperatura. Los modelos con hornos dobles tienen dos perillas de temperatura.

Los botones de comandos le permiten fijar la hora, el cronómetro, el tiempo de cocinar (para cocción cronometrada y retardada), el tiempo de detención (para la cocción retardada), las luces del horno y el bloqueo de seguridad para niños.

Consulte las secciones del Panel de Control/Pantalla y de la Operación del Horno para más detalles.

*Los modelos HBL503 no incluyen las características de convección.

Consejos Generales para el Horno

Rejillas del Horno

- El horno tiene guías para las rejillas en cuatro niveles que se muestran en la ilustración en la [página 7](#). Las posiciones de rejilla están numeradas desde la rejilla inferior (#1) a la rejilla superior (#4).
- Consulte las tablas de cocinar para determinar las mejores posiciones de rejilla a utilizar.
- Asegúrese que las rejillas estén niveladas una vez colocadas en su posición.
- Las rejillas están diseñadas para detenerse cuando son jaladas hacia afuera hasta su límite.
- **PRECAUCIÓN!** Nunca utilice papel de aluminio para tapar las rejillas del horno o para forrar el horno. El calor atrapado debajo del papel de aluminio puede dañar el revestimiento del horno.

PRECAUCIÓN: Para evitar posibles quemaduras, coloque las rejillas del horno en las posiciones deseadas antes de prender el horno. Siempre use guantes cuando el horno está caliente.

Sacar del horno: Agarre la rejilla firmemente en ambos lados y júlela hacia Ud. Al llegar al tope, incline la rejilla hacia arriba y júlela completamente.

Meter al horno: Agarre la rejilla firmemente en ambos lados. Incline la rejilla hacia arriba para encajar el tope en el portarejilla. Cambie la rejilla a una posición horizontal y empújela completamente. La rejilla debe estar recta y plana, no torcida.

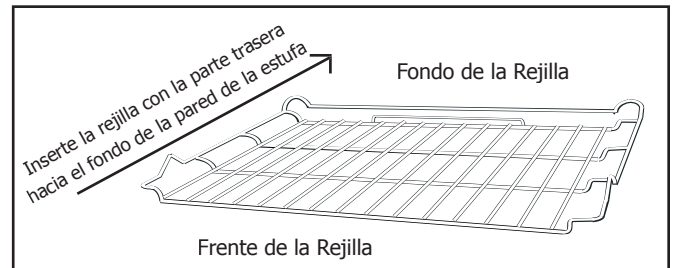


Figura 5: La rejilla plana

Seleccionar la Posición de las Rejillas

Vea la ilustración a la derecha.

Rejilla 4 - Posición más alta. Se utiliza para derretir queso rápidamente.

Rejilla 3 - Se utiliza para asar la mayoría de carnes y para tostar pan.

Rejilla 2 - Se utiliza para hornear pays, caserolas, panes, pasteles tipo bundt o pound, ligeros tostados o aves. Se usa también para asar cortes gruesos de carne.

Rejilla 1 - Posición más baja. Se utiliza pastel tipo bizcocho, tostados grandes, pavo.

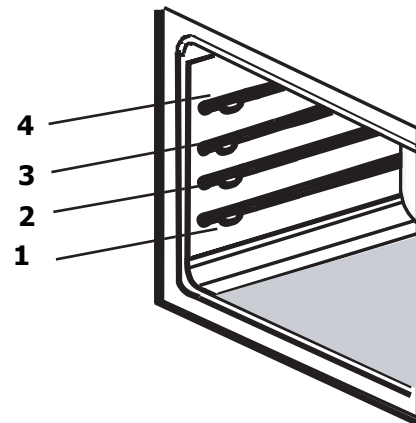


Figura 6: Posiciones de las rejillas

Utilizar Múltiples Rejillas

Con 2 rejillas: Use las posiciones de rejilla 1 y 3.

Con 3 rejillas: Use las posiciones 2, 3 y 4.

Cuando hornea cuatro capas con pasteles al mismo tiempo, coloque los moldes de tal modo que ningún molde quede directamente encima de otro. Para lograr mejores resultados, coloque los moldes al frente de la rejilla superior y en el fondo de la rejilla inferior (Vea la ilustración a la derecha). Permita 1" a 1 1/2" de espacio libre alrededor del molde.

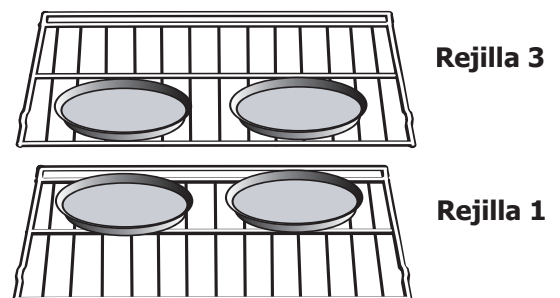


Figura 7: Colocación de los moldes en múltiples rejillas

Consejos Generales para el Horno

Condensación

Las aberturas de ventilación se encuentran encima de la puerta del horno. Es normal que salga vapor de las aberturas de ventilación y se puede acumular condensación en áreas arriba de la ventilación como por ejemplo en la pantalla

Sensor de Temperatura

Su nuevo horno tiene un sensor electrónico de temperatura, el cual mantiene con precisión la temperatura seleccionada. Su horno anterior tal vez tuvo un termostato mecánico que gradualmente cambiaba a una temperatura mayor. Como resultado, tal vez usted debe modificar sus recetas favoritas cuando empieza a utilizar su nuevo horno.

Hornear a Gran Altitud

Cuando cocina a gran altitud las recetas y los tiempos de cocinar varían de lo normal. Para información más precisa, escriba al Servicio de Extensión (Extension Service), Colorado State University, Fort Collins, Colorado 80521. Puede que los boletines tengan un costo.



PRECAUCIÓN:

Muchos factores afectan el desempeño al cocinar. Siempre revise los alimentos para estar seguro que están cocidos antes de servirlos.

Tabla 1: Pautas a seguir para las temperaturas de alimentos

Pautas a seguir para la temperatura de alimentos de FSIS (Servicio de Inspección y Seguridad de Alimentos USAD)	
140° F (60° C) <ul style="list-style-type: none">Jamón, precocido (para recalentar)	165° F (74° C) <ul style="list-style-type: none">Carne molida y mezclas de carne (pavo, pollo)Relleno (cocido solo o en el ave)Sobras y guisados
145° F (63° C) <ul style="list-style-type: none">Carne fresca de res, ternera, cordero (vuelta y vuelta)	170° F (77° C) <ul style="list-style-type: none">Carne fresca de res, ternera, cordero (bien cocida)Pechuga de pollo (aves)Carne fresca de puerco (bien cocida)
160° F (71° C) <ul style="list-style-type: none">Carne molida y mezclas de carne (res, puerco, ternera, cordero)Carne fresca de res, ternera, cordero (medio)Carne fresca de puerco (medio)Jamón fresco (crudo)Platillos con huevos	180° F (82° C) <ul style="list-style-type: none">Pollo y jamón, (entero)Carne de aves (muslos y alas)Pato y ganso

Nota: Huevos (solos, no utilizados en una receta) - cocer hasta que la yema y la clara estén duras.

Configurar el Horno

Para configurar el modo de cocinar:

1. **Gire la perilla del modo** para seleccionar el modo de cocinar.
2. **Gire la perilla de temperatura** para seleccionar la temperatura. Seleccione PRESET para utilizar la temperatura por default.

A medida que se precalienta el horno, se prenden la luz roja de precalentamiento, la luz del horno y el ventilador. Cuando se alcanza la temperatura de precalentamiento, se apaga la luz roja de precalentamiento y el horno emite pitidos.

Para ajustar el cronómetro (Timer):

1. **Oprima TIMER.** TIMER aparece en la pantalla.
2. **Oprima TIMER nuevamente.** Las horas parpadean.
3. **Oprima + o -** para ajustar las horas.
4. **Oprima TIMER.** Los minutos parpadean.
5. **Oprima + o -** para ajustar los minutos.
6. **Oprima TIMER.**

Cuando termina el tiempo suena un pitido.

CONSEJO:

Mantenga oprimida la tecla + o - para cambiar el tiempo en incrementos de 10 minutos

Para configurar el modo de cocinar utilizando el precalentado rápido:

1. **Gire la perilla del modo** a **FAST PREHEAT.**
2. **Gire la perilla de temperatura** para seleccionar la temperatura.

A medida que se precalienta el horno, se prenden la luz roja de precalentamiento, la luz del horno y el ventilador. Cuando se alcanza la temperatura de precalentamiento, se apaga la luz roja de precalentamiento y el horno emite pitidos.

3. **Gire la perilla para seleccionar el modo de cocinar.**
4. Meta los alimentos al horno.

¡RECORDATORIO!

Cuando utiliza el **precalentado rápido**, debe **seleccionar el modo de cocinar** después de precalentar y antes de meter los alimentos al horno.

Modos cronometrados de cocinar

Use el modo cronometrado de cocinar para apagar el horno automáticamente. El modo retardado prende también el horno en forma automática.

- En modelos con horno doble, ambos hornos pueden operar con modos cronometrados independientes.
- El reloj es ajustado para la hora correcta del día.
- El modo cronometrado apaga el horno al final del tiempo programado de cocinar.

Para ajustar el modo cronometrado:

1. **Gire las perillas** para seleccionar el modo y la temperatura.
2. **Oprima COOK TIME dos veces.** Las horas parpadean.
3. **Oprima + o -** para ajustar el número de horas.
Nota: Se debe incluir el tiempo requerido por el horno para alcanzar la temperatura en el tiempo programado.
4. **Oprima COOK TIME** nuevamente. Los minutos parpadean.
5. **Oprima + o -** para cambiar el número de minutos.
6. **Oprima COOK TIME** para confirmar el tiempo de cocinar.

El horno se apagará automáticamente al final del tiempo programado de cocinar.

Para ajustar el modo retardado:

1. Siga los pasos 1 hasta 6.
2. **Oprima STOP TIME dos veces.** DELAY aparece en la pantalla. **STOP TIME** y las **horas** parpadean.
3. **Oprima + o -** para cambiar las horas.
4. Oprima **STOP TIME** nuevamente. Los minutos parpadean.
5. **Oprima + o -** para cambiar los minutos.
6. Oprima **STOP TIME** para confirmar el tiempo de detención.

El horno calcula automáticamente la hora de día para comenzar.

El horno se apaga al final del tiempo programado de cocinar. La pantalla indica **END** y el horno emite pitidos. Se oyen pitidos de recordatorio y COOK TIME parpadea.

CONSEJO:

Oprima **COOK TIME** para ver la información del **modo cronometrado (timed mode).**

Oprima **STOP TIME** para ver la información del **modo retardado (delayed mode).**

Oprima **TIMER** para ver el **cronómetro.**

Modos del Horno

Horneado

Horneado es cocinar con aire seco, caliente. Tanto el elemento superior como el inferior se prenden en ciclos para mantener la temperatura del horno:

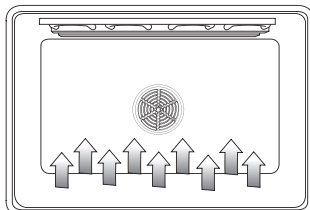


Figura 8: Horneado

Se puede usar el modo de Hornear para preparar una variedad de alimentos, desde pastelitos hasta guisados. También se puede usar para asar carnes.

Para obtener mejores resultados:

- Cuando hornea en dos o más rejillas, utilice mejor el horneado de convección.

Horneado de Convección

Horneado de convección es similar al horneado. En este caso, el calor viene del elemento de calentamiento inferior y un tercer elemento detrás de la pared trasera. La principal diferencia en el horneado de convección es que el calor recircula a través del horno por el ventilador de convección:

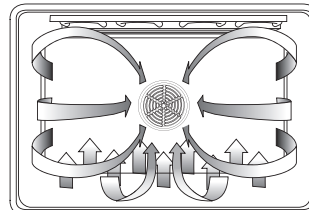


Figura 9: Horneado de Convección

El modo de Horneado de Convección sirve muy bien para hornear cantidades grandes de alimentos sobre múltiples rejillas. Se puede usar para preparar galletas, pays, pastelitos, panes, y botanas entre otras cosas. NO utilice el horneado de convección para carnes. Utilice mejor el asado de convección.

Los beneficios del horneado de convección incluyen:

- Ligera disminución del tiempo de hornear
- Hornear con 3 rejillas
- Mayor volumen (la levadura se eleva más)
- Hornear más alimentos a la vez

Para obtener mejores resultados:

- Reduzca la temperatura de la receta por 25° F. Consulte la tabla de Horneado de Convección para ejemplos.
- Ponga los alimentos en moldes planos, no tapados, como bandejas para galletas sin costados.
- Centre los moldes lado a lado sobre la rejilla del horno.
- No utilice el horneado de convección para preparar flan, quiche, pay de calabaza o pastel de queso. Estos alimentos no se benefician del proceso de calentar de convección. Utilice mejor el horneado estándar.

Tabla 2: Tabla del Horneado de Convección

Alimento	Posición de Rejilla	Temp. * (horno pre-calentado) (F°)	Tiempo de horneado de convección (min.)
Pastel Glaseado	2	325	17-19
Pastel Bundt	1	325	37-43
Bizcochos	1	325	35-39
Pay	2	350 - 400	45-55
2 cortezas, fresco 9"	2	350	68-78
Galletas	2	325 - 350	6-11
Azúcar	2	325 - 350	8-13
Chocolate Chip	2	325	29-36
Brownies	2	325	29-36
Panes	2	350	
Pan de levadura, 9x5	2	350 - 375	18-22
Rollos de levadura	2	325 - 350	12-15
Pan rápido, entero	2	325 - 350	12-15
8x4	2	325 - 350	45-55
Bollo, Panecillo	2	350 - 375	11-15
Molletes	2	400	15-19
Pizza	2	375 - 425	23-26
Congelada	2	400 - 425	12-15
Fresca	2	400 - 425	12-15

Consejos rápidos para cocinar: Convertir del horneado estándar al horneado de convección

- Reduzca la temperatura de la receta por 25° F.
- Revise oportunamente si ya están cocidos los alimentos:

Si la receta requiere...	Revise los alimentos...
1 - 15 min.	3 min. antes
16 - 30 min.	5 min. antes
31 min. - 1 hr.	10 min. antes

* La temperatura del horneado de convección es 25°F menos que la recomendada en los empaques o recetas. La temperatura en esta tabla ha sido reducida por 25° F.

** Esta tabla es una guía. Los tiempos verdaderos dependen de las mezclas y recetas horneadas. Siga las direcciones de la receta o del empaque y reduzca la temperatura de modo apropiado.

*** Cuando hornee de convección con dos rejillas, utilice las posiciones uno y tres. Con tres rejillas utilice las posiciones dos, tres y cuatro.

Modos del Horno

Asado

El Asado usa el calor intenso radiado del elemento superior:

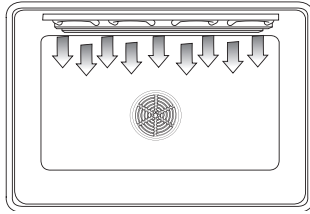


Figura 10: Asado

El modo de asado sirve mejor para cocinar cortes delgados, suaves de carne (1" o menos), pollo y pescado. Se puede usar también para dorar panes y guisados.

Los beneficios del Asado incluyen:

- Asado rápido y eficiente.
- Cocinar sin agregar grasas o líquidos.
- Los alimentos se doran mientras se cocinan.

Para obtener mejores resultados:

- No precaliente el horno.
- Los filetes y chuletas deben tener un grosor de al menos 3/4".
- Aplique mantequilla o aceite al pescado o pollo para evitar que se pegue.
- Use la bandeja y rejilla de asar incluida con su horno.
- No forre la rejilla del asador con papel de aluminio. Está diseñada para drenar las grasas y los aceites de la superficie y evitar manchas y humos.
- Voltee la carne una vez a mitad del tiempo recomendado para cocinar (vea la tabla de asado para ejemplos).
- Al dorar guisados, use sólo platos de metal o vidrio cerámico como Corningware®.
- Nunca use vidrio refractario (Pyrex®); no puede tolerar la temperatura alta.

SIEMPRE ASE CON LA PUERTA CERRADA

Tabla 3: Tabla de Asado

Alimento y Grosor	Posición de Rejilla	Posición de Asado	Temp. Interna (°F)	Tiempo Lado 1 (min)*	Tiempo Lado 2 (min)*
Carne de Res Filete (3/4"-1") Vuelta y Vuelta Medio Bien Cocido	3	5	145 160 170	5-7 6-8 8-10	4-6 5-7 7-9
Hamburguesas (3/4" - 1") Bien Cocido	3	5	160	7-9	5-7
Aves Pechuga (c/hueso) Muslo	3	3	170 180	14-16 14-16	14-16 11-13
Puerco Chuletas (1") Salchicha - fresca Rebanada de Jamón	3	5	160 160 160	7-9 5-7 3-5	5-7 3-5 4-6
Mariscos Filetes de Pescado, 1" Con Mantequilla	3	4	Cocinar hasta que se quede opaco y se desmenuza con facilidad	10-14	No lo voltee
Cordero Chuletas (1") Vuelta y Vuelta Medio Bien Cocido	3	5	145 160 170	5-7 6-8 8-10	4-6 5-7 7-9
Pan Pan de Ajo, rebanadas de 1"	3	5		4-6	

Asado de Convección

El Asado de Convección es similar al Asado. Combina el calor intenso del elemento superior con el aire circulado por el ventilador de convección:

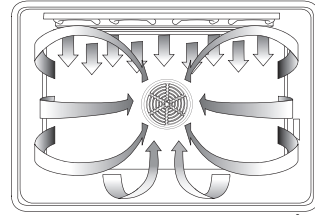


Figura 11: Asado de Convección

El modo de Asado de Convección sirve bien para cocinar cortes delgados, suaves de carne, pollo y pescado. Generalmente no se recomienda el asado de convección para dorar panes, guisados y otros alimentos.

Los beneficios del Asado de Convección, además de los beneficios del asado normal, incluyen:

- Cocinado más rápido que con el asado normal.

Para obtener mejores resultados:

- No precaliente el horno.
- Las carnes deben tener un grosor mínimo de 1 1/2".
- Voltee la carne una vez a mitad del tiempo recomendado para cocinar (vea la tabla de asado de convección para ejemplos).
- Use la bandeja y rejilla de asar incluida con su estufa.
- No forre la parrilla del asador con papel de aluminio. Está diseñada para drenar las grasas y los aceites de la superficie y evitar manchas y humos.
- Eche sal después de cocinar.

SIEMPRE ASE DE CONVECCIÓN CON LA PUERTA CERRADA

Tabla 4: Tabla de Asado de Convección

Alimento y Grosor	Posición de Rejilla	Posición de Asado	Temp. Interna (°F)	Tiempo Lado 1 (min)*	Tiempo Lado 2 (min)*
Carne de Res Filete (1-1/2" o más) Vuelta y Vuelta Medio Bien Cocido	2	450	145 160 170	12-14 15-17 18-20	11-13 13-15 16-17
Hamburguesas (más de 1") Bien Cocido	3	550	160	11-13	8-10
Aves Cuartos de Pollo Pechuga de Pollo	3	450	180 (muslo) 170	13-15 14-16	10-12 12-14
Puerco Chuletas (1 1/4" o más) Salchicha - fresca	2 3	450	160 160	12-14 4-6	13-15 3-5

*Los tiempos del Asado y Asado de Convección son aproximados y pueden variar ligeramente.

Modos del Horno

Tostado de Convección

El Tostado de Convección usa el calor de los elementos superiores e inferiores así como el calor circulado por el ventilador de convección:

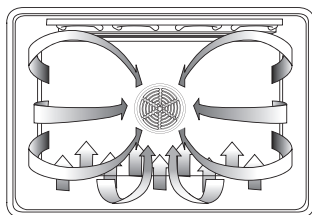


Figura 12: Tostado de Convección

El modo de Tostado de Convección sirve muy bien para preparar cortes suaves de carne y pollo.

Los beneficios del tostado de convección incluyen:

- Hasta un 25% más rápido para cocinar que el Tostado/Horneado normal
- Un dorado uniforme

Para obtener mejores resultados:

- Use la misma temperatura que se indica en la receta.
- Revise el término de la carne oportunamente, ya que se puede disminuir el tiempo de asado por un 25%. Consulte la tabla del asado de convección para ejemplos.
- No tape la carne o use bolsas.
- Use la bandeja y rejilla de asado que viene incluida con la estufa. También se puede usar una olla no tapada y poco profunda.
- Use un termómetro para carne para determinar la temperatura interna de la carne.
- Cuando la carne ya se doró como le gusta, pero aún no se coció, puede colocar una pequeña tira de papel de aluminio encima del pecho para evitar que se dore demasiado.
- Después de sacar la carne del horno, cúbrala con papel de aluminio 10 - 15 minutos.

Consejos rápidos y fáciles: Convertir del horneado estándar al tostado de convección

- NO cambie la temperatura de la receta.
- Utilice los tiempos de tostado en la tabla a la derecha

Tabla 5: Tabla del Tostado de Convección

Carnes	Peso (lbs.)	Temp. Horno (°F)	Posición de Rejilla	Tiempo* Tostado (min. por lb.)	Temperatura Interna (°F)
Res Costillas	4 - 6	325	2	24-30 27-33	145 (vuelta/v.) 160 (medio)
Rib Eye (sin hueso)	4 - 6	325	2	22-30 27-33	145 (vuelta/v.) 160 (medio)
Churrasco, Eye Tip, Sirloin (sin hueso)	3 - 6	325	2	22-28 27-33	145 (vuelta/v.) 160 (medio)
Tenderloin Tostado	2 - 3	425	2	15-25	145 (vuelta/v.)
Puerco Lomo (con o sin hueso)	5 - 8	350	2	20-30	160 (medio)
Hombro	3 - 6	350	2	25-35	160 (medio)
Aves Pollo entero	3 - 4	375	2	12-18	180
Pavo sin relleno**	12-15	325	1	10-14	180
Pavo sin relleno**	16-20	325	1	9-11	180
Pavo sin relleno**	21-25	325	1	6-10	180
Pechuga Pavo	3 - 8	325	1	15-20	170
Codorniz	1 - 1 ½	350	2	45-75 total	180
Cordero Media Pierna	3 - 4	325	2	25-30 30-35	160 (medio) 170 (bien c.)
Pierna Entera	6 - 8	325	1	25-30 30-35	160 (medio) 170 (bien c.)

*Los tiempos del tostado son aproximados y pueden variar dependiendo de la forma de la carne. Se basan en carne descongelada.

**Pavo relleno requiere de un tiempo adicional de tostado. La mínima temperatura segura para el relleno en pavo es 165°F.

Modos del Horno

Deshidratado

El deshidratado seca alimentos con calor de un tercer elemento detrás de la pared trasera del horno. El calor circula a través del horno por el ventilador de convección.

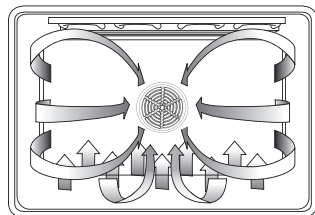


Figura 13: Deshidratado

Se usa el deshidratado para secar y/o conservar alimentos como frutas, verduras y especias. Este modo mantiene una temperatura baja óptima (120° F - 160° F) mientras circula el aire caliente para eliminar lentamente la humedad.

Para obtener mejores resultados:

- Seque especias a 120°F. Seque la mayoría de frutas y verduras a 140° F. (Consulte la tabla de deshidratado para ver ejemplos).
- Los tiempos de secado varían debido a la humedad y el contenido de azúcar en el alimento, el tamaño de las piezas alimenticias, la cantidad de alimentos que se están secando y la humedad en el aire. Revise los alimentos cuando llegue al tiempo mínimo de secado.
- Se pueden usar múltiples rejillas al mismo tiempo. Para obtener rejillas adicionales de secado, contacte a su distribuidor de Bosch.
- Trate frutas con antioxidantes para evitar la decoloración.
- Consulte un libro de conservación de alimentos, la Oficina Cooperativa del condado o una librería para obtener información adicional.

Tabla 6: Tabla de Deshidratado

Alimento	Preparación	Tiempo* de Secado (hrs.) Aproximado	Prueba del Terminado
Fruta Manzana	Sumergido en ¼ vaso con jugo de limón y 2 vasos de agua, rebanadas de ¼"	11-15	Ligeramente flexible
Plátano	Sumergido en ¼ vaso con jugo de limón y 2 vasos de agua, rebanadas de ¼"	11-15	Ligeramente flexible
Cereza	Lavar y secar con toalla. Para cerezas frescas, quitar huesos	10-15	Flexible, duro, masticable
Cáscara y trozos de naranja	Trozos de naranja ¼"; la parte de la cáscara está ligeramente pelada de la naranja	Cáscara: 2-4 Trozos: 12-16	Cáscara de Naranja: seca y frágil. Trozos de Naranja: las cáscaras están secas y frágiles, la fruta poco húmeda
Anillos de piña	Secado con toalla	En lata: 9-13 Fresca: 8-12	Suave y flexible
Fresa	Lavar y secar c/toalla. Rebanadas de ½", la piel (exterior) está sobre la rejilla	12-17	Seco, frágil
Verduras Chiles	Lavar y secar c/toalla. Quitar la membrana del chile, cortada en rebanadas grandes de aprox. 1"	16-20	Duro sin tener humedad en el interior
Hongos	Lavar y secar c/toalla. Cortar el tallo, Cortar en rebanadas de 1/8"	7-12	Duro y seco
Jitomates	Lavar y secar c/toalla. Cortar en rebanadas de 1/8", drenar bien	16-23	Seco, color de ladrillo rojo
Especias Orégano, perejil verde, tomillo e hinojo	Enjuagar y secar con toalla de papel	Secar a 120°F 3-5 hrs	Crujiente y frágil
Albahaca	Usar las hojas de albahaca de 3 a 4 pulgadas desde la punta. Rociar con agua, sacudirlo y secarlo a golpecitos	Secar a 120°F 3-5 hrs	Crujiente y frágil

El horno se quedará prendido por 48 horas antes de apagarse en forma automática.

Autolimpieza

Durante la autolimpieza, el horno usa una temperatura muy alta para eliminar restos de comida y grasa.

- Como característica de seguridad, se bloquea la puerta del horno durante la autolimpieza para protegerlo de las altas temperaturas. No trate de abrir el horno durante el modo de autolimpieza.
- Se puede autolimpiar solamente un horno a la vez. Se puede utilizar el segundo horno mientras se está autolimpiando el otro horno.
- Es algo normal ver humo y/o una llama ocasional durante el ciclo de la autolimpieza, dependiendo del contenido y de la cantidad de suciedad que queda en el horno. Cuando persiste una llama, apague el horno y permita que se enfríe antes de abrir la puerta para limpiar los restos de comida con un trapo.
- La lámpara del horno no funciona durante el modo de autolimpieza.
- No utilice detergentes comerciales de hornos ya que éstos pueden dañar el acabado o las partes.
- Calor y olores son normales durante el ciclo de la autolimpieza. Ventile la cocina bien.

Nota: Debido a las altas temperaturas utilizadas para la autolimpieza, se pueden formar líneas finas o una superficie rugosa en la cavidad del horno. Es una condición común y no afecta el desempeño de la cocción o de la limpieza del horno.

Antes de la Autolimpieza

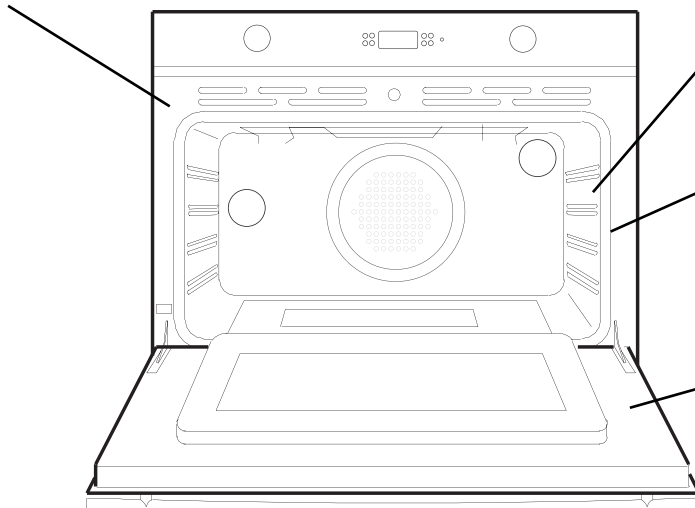
1. Limpie a mano el borde de la puerta del horno, el bastidor delantero y los bordes de la cavidad del horno (vea las figuras abajo). No se calientan suficientemente durante la autolimpieza para eliminar los residuos. Use una esponja jabonosa o un raspador de plástico o una esponjilla S.O.S.®. **NO FROTE EL EMPAQUE.**
2. Limpie los restos de alimentos y la grasa con toallas de papel.
3. Saque la bandeja de asado, todos los utensilios y moldes.
4. **Saque las rejillas del horno.** Si se dejan las rejillas en el horno durante la autolimpieza perderán su acabado brillante y dejarán de deslizarse suavemente sobre las guías de rejillas. Vea "Limpiar las Superficies del Horno", página 15 para el cuidado apropiado.
5. Asegúrese que la lámpara esté apagada en el panel de control y que el foco y la cubierta estén en sus lugares.

Después de la Autolimpieza

- El modo de autolimpieza puede producir cenizas que se acumularán dentro del horno. Cuando esto sucede, saque las cenizas con un trapo húmedo antes de utilizar el horno.
- Aplique aceite comestible a los bordes de las rejillas para un mejor deslizamiento. Quite el exceso de grasa.

IMPORTANTE: Asegúrese de dejar enfriar completamente el vidrio de la ventana en la puerta del horno antes de quitar cualesquier cenizas que quedaron como residuo del ciclo de limpieza.

Limpie el bastidor delantero a mano



Limpie a mano a una distancia de 1-1/2" de las guías de rejillas hasta el frente de la cavidad del horno

NO limpie el empaque a mano

Limpie el marco y la puerta a mano

Figura 14: Antes de la Autolimpieza

Autolimpieza

Para ajustar el modo de autolimpieza:

1. Saque las rejillas del horno y cierre la puerta.
2. **Gire ambas perillas a AUTOLIMPIEZA.**

NOTA:

El símbolo de bloqueo seguirá parpadeando si la puerta está abierta al seleccionar el modo de auto-limpieza. El ciclo de autolimpieza no se iniciará hasta cerrar la puerta

CLEAN y **TIME** aparecen en la pantalla.

El horno se limpiará por tres horas. Al final del tiempo programado de limpieza, el horno se apagará en forma automática.

END aparecerá en la pantalla. **CLEAN** y **TIME** parpadean hasta que se oprima un botón o se gire la perilla a **OFF**.

Para cambiar el tiempo de limpieza

El tiempo de limpieza prefijado es tres horas. Para residuos ligeros, utilice dos horas, para residuos resistentes, utilice cuatro horas.

1. Ajuste el modo de autolimpieza como se ve arriba.
2. **Oprima COOK TIME (Tiempo de Cocinar).**
3. **Oprima + o -** para cambiar el número de horas.
4. **Oprima COOK TIME dos veces.**

Para retardar el inicio de la limpieza

Nota: La hora del día debe ser precisa para que el retardo funcione bien.

1. Ajuste el modo de autolimpieza como se ve arriba.
2. Cambie el tiempo de limpieza (arriba), si lo desea.
3. Ajuste la hora del inicio de la autolimpieza:

Oprima STOP TIME dos veces.

Oprima + o - para fijar las horas.

Oprima STOP TIME.

Oprima + o - para fijar los minutos.

Oprima STOP TIME.

Se bloquea la puerta del horno y **DELAY** aparece en la pantalla.

4. Al terminar el tiempo de retardo, empieza la autolimpieza.

El horno se apagará automáticamente al final del tiempo programado de limpieza.

END aparecerá en la pantalla. **CLEAN** y **TIME** parpadean hasta que se oprima un botón o se gire la perilla a **OFF**.

PARA CANCELAR:

Para cancelar la autolimpieza gire la perilla a OFF. La puerta del horno permanecerá cerrada hasta que el horno haya alcanzado una temperatura segura.

Acerca del bloqueo de la puerta:

No trate de abrir la puerta mientras que está bloqueada.

El símbolo de bloqueo seguirá parpadeando hasta que se cierra la puerta. Cuando aparece el símbolo de bloqueo no se puede abrir la puerta.

Asegúrese que la puerta está bloqueada y que no se abrirá antes de iniciar el modo de autolimpieza.

Cuando la puerta no se bloquea, gire la perilla a la posición OFF y no inicie el modo de la autolimpieza; llame al 800-944-2904 para solicitar servicio.

CONSEJO:

Para revisar el **tiempo de limpieza retardada**, oprima **COOK TIME**.

Para revisar el **tiempo restante antes de que inicie el modo retardado**, oprima **STOP TIME**.

Limpiar las Superficies del Horno

Tabla 7: Métodos de Limpieza de las Superficies del Horno

Superficie	Método de Limpieza
Rejillas (Horno)	Lave con agua jabonosa caliente. Enjuague cuidadosamente y seque o suavemente frote con esponjillas rellenas de jabón o polvo limpiador según instrucciones. Si se limpian las rejillas en el horno durante el modo de autolimpieza, perderán su acabado brillante y tal vez dejan de deslizarse suavemente. Si esto sucede, limpie los bordes de las rejillas con una cantidad pequeña de aceite vegetal, luego limpie el exceso.
Fibra de Vidrio (Empaque)	NO LIMPIE EL EMPAQUE A MANO.
Cristal (Ventana, pantalla)	Lave con jabón y agua o un limpiador para vidrio. Use Fantastik® o Formula 409® para quitar salpicaduras grasosas y manchas duras.
Pintura (Exterior)	Limpie con agua jabonosa caliente o aplique Fantastik® o Formula 409® primero a una esponja limpia o una toalla de papel y limpie. Evite el uso de limpiadores en polvo y esponjillas de fibra metálica y detergentes para hornos.
Porcelana (Interior)	Limpie de inmediato derrames ácidos como jugos de fruta, leche y jitomate con una toalla seca. No use una esponja/toalla húmeda sobre porcelana caliente. Cuando ya está fría, limpie con agua jabonosa caliente o aplique Bon-Ami® o Soft Scrub® a una esponja húmeda. Enjuague y seque. Para manchas resistentes, use suavemente esponjillas con jabón. Es normal que la porcelana se agriete (líneas finas) con el tiempo debido a la exposición al calor y residuos de comida.
Acero Inoxidable (Exterior)	Siempre limpie con el grano. Limpie con una esponja jabonosa luego enjuague y seque o limpie con Fantastik® o Formula 409® aplicado a una toalla de papel. Proteja y pula con Stainless Steel Magic® y un trapo suave. Quite las manchas de agua con un trapo humedecido con vinagre blanco. Use Bar Keeper's Friend® para quitar la decoloración térmica.
Plástico (Perillas, Controles)	Cuando están fríos, limpie con agua jabonosa, enjuague y seque.

Reemplazar la Lámpara del Horno

- Cada horno incluye dos lámparas de halógeno ubicadas en la parte trasera del horno.
- Se prenden las luces al abrir la puerta o cuando el horno está en un ciclo de cocinar.
- Las luces del horno no funcionarán durante la autolimpieza.
- Cada conjunto de lámparas consiste en un lente removible, un foco así como un casquillo fijo (vea la Figura 17, siguiente página).

Reemplazar un foco (vea Figura 17, sig. página):

1. Lea la ADVERTENCIA en esta página.
2. Apague la corriente en la principal fuente de alimentación (caja de fusibles o interruptor).
3. Desatornille el lente y sáquelo.
4. Jale el foco de su casquillo para sacarlo.
5. Reemplace el foco por uno nuevo. Evite tocar el foco con los dedos, ya que la grasa de las manos puede dañar el foco cuando éste se calienta.
6. El foco es de halógeno de 12V - 20W.
7. Vuelva a atornillar el lente.
8. Reemplace la cubierta del ventilador (si aplica).
9. Prenda la corriente en la principal fuente de alimentación (caja de fusibles o interruptor).



ADVERTENCIA

- Asegúrese que el horno y las lámparas estén fríos y de haber desconectado el horno antes de reemplazar los focos. En caso contrario puede sufrir una descarga eléctrica o quemaduras.
- Al usar el horno deben estar en su lugar los lentes.
- Los lentes sirven de protección para evitar que se rompan los focos.
- Los lentes son de vidrio. Manéjelos con cuidado para evitar que se rompan. Vidrio roto puede causar lesiones.

Quitar la Puerta del Horno

ADVERTENCIA

- Asegúrese que el horno esté frío y que se haya apagado la corriente antes de quitar la puerta. De otro modo puede causar una descarga eléctrica o quemaduras.
- La puerta del horno está pesada y frágil. Use ambas manos para quitar la puerta. El frente de la puerta está hecho de vidrio, Tenga cuidado de no romperla.
- Agarre sólo los costados de la puerta del horno. No use la agarradera ya que puede girar en su mano y causar daños o heridas.
- Si no agarra la puerta del horno firmemente y de modo correcto, puede causar lesiones a personas o daños al producto.

ADVERTENCIA

Para evitar lesiones debido al cierre rápido del soporte de las bisagras, asegúrese que ambas palancas estén bien fijadas antes de quitar la puerta. Además, no aplique fuerza a la puerta para abrir o cerrarla - se puede dañar la bisagra y causar lesiones.

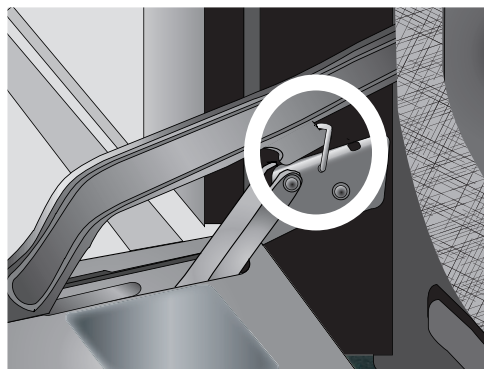


Figura 15: Soporte de bisagras bloqueado en su lugar

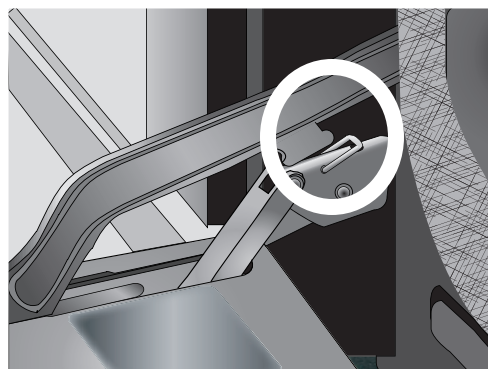


Figura 16: Soporte de bisagras liberado

Para quitar la puerta del horno:

1. Asegúrese de leer la ADVERTENCIA anterior antes de tratar de quitar la puerta.
2. Abra la puerta completamente.
3. Levante los soportes de bisagras (uno en cada lado) a las ranuras (vea Figura 15).
4. Cierre la puerta ligeramente hasta que enganchen los soportes de bisagras.
5. Cierre la puerta dejándola mitad abierta (hasta que se detenga).
6. Sosteniendo la puerta firmemente en ambos lados.
7. Jálela hacia arriba y ponga la puerta en un lugar estable.

Para reinstalar la puerta del horno:

1. Sosteniendo la puerta firmemente con ambas manos, coloque las bisagras en las ranuras.
2. Abra la puerta completamente para liberar las bisagras (una en cada lado).
3. Abra y cierre la puerta lenta y completamente para verificar la instalación.

La puerta debe cerrar fácilmente estar recta, no torcida.

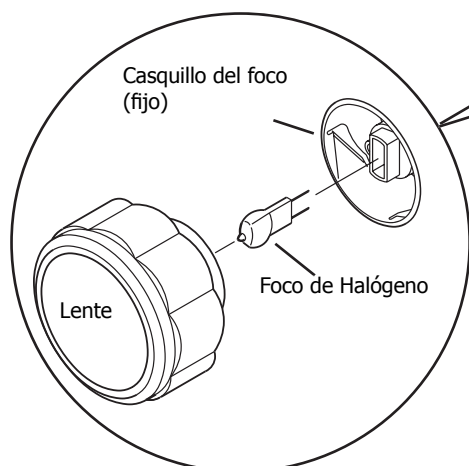
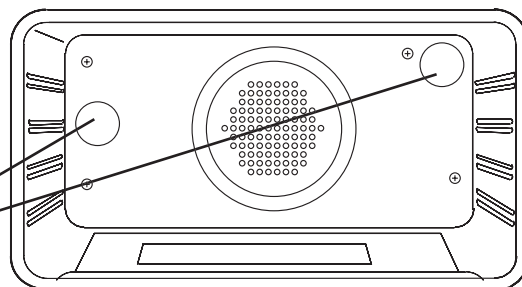


Figura 17: Lámpara del Horno



Procedimientos para Hacerlo Usted Mismo

Para activar el modo Sabatino:

Cuando se activa, el horno horneará por 73 horas antes de apagarse automáticamente. El modo aplica para religiones que no permiten "trabajar" los Sábados.

1. **Oprima y mantenga oprimido SET CLOCK y TIMER** hasta que aparezca **SELE dEG**.
2. **Oprima + o -** hasta que aparezca **SAb**.
3. **Oprima SET CLOCK**.
4. **Oprima + o -** para seleccionar el formato (escoja ON para activar el modo Sabatino; escoja OFF para apagarlo).
5. **Mantenga oprimido SET CLOCK** hasta que aparezca clock (reloj) en la pantalla.
Habrá un retardo de cinco minutos donde se puede ajustar lo siguiente:
6. **Gire la perilla a BAKE** (Hornear).
7. **Gire la perilla** para ajustar la **temperatura**.
8. **Oprima LIGHT** para prender o apagar las luces del horno.
9. Repita los pasos 8-10 para el segundo horno si lo desea (solamente hornos dobles).

Después de 5 minutos se activa el modo Sabatino. La pantalla ya no indica la temperatura. Solamente aparecen la hora, "SAb" y el icono(s) del horno. También se deshabilitan las luces de precalentamiento y todos los pitidos.

No se pueden cambiar las luces del horno una vez que inicia el modo Sabatino.

El modo Sabatino se cancela automáticamente después de 72 horas. Para cancelar el modo Sabatino antes, gire la perilla a **OFF**.

Para cambiar el formato del reloj

El horno viene preconfigurado para un formato de 12 horas, sin embargo se puede cambiar para indicar un formato de 24 horas.

1. **Oprima y mantenga oprimido SET CLOCK y TIMER** hasta que aparezca **SELE dEG**.
2. **Oprima + o -** hasta que aparezca **Hr**.
3. **Oprima SET CLOCK**.
4. **Oprima + o -** para seleccionar el formato (escoja 12 para formato de 12 horas, 24 para formato de 24 horas).
5. **Mantenga oprimido SET CLOCK** hasta que aparezca clock (reloj) en la pantalla.

Para cambiar el formato de la temperatura:

El horno viene preconfigurado para un formato de temperatura en grados Fahrenheit, sin embargo se puede cambiar para indicar la temperatura en grados Celso.

1. **Oprima y mantenga oprimido SET CLOCK y TIMER** hasta que aparezca **SELE dEG**.
2. **Oprima SET CLOCK**.
3. **Oprima + o -** para seleccionar el formato (escoja °C para grados Celso; escoja °F para Farenheit).
4. **Mantenga oprimido SET CLOCK** hasta que aparezca clock (reloj) en la pantalla.

Para cambiar la calibración de la temperatura:

El termostato electrónico ha sido calibrado cuidadosamente; sin embargo, cuando el dorado resulta muy claro o muy oscuro para su gusto, usted puede subir o bajar esta calibración de la temperatura.

1. **Oprima y mantenga oprimido SET CLOCK y TIMER** hasta que aparezca **SELE dEG**.
2. **Oprima + o -** hasta que aparezca **OFS**.
3. **Oprima SET CLOCK**.
4. **Oprima UPPER LOWER** para seleccionar el horno (solamente hornos dobles).
5. **Oprima + o -** para ajustar el número de diferencia de grados.
6. **Mantenga oprimido SET CLOCK** hasta que aparezca clock (reloj) en la pantalla. **Nota:** El rango disponible para compensar la temperatura es de + o - 35°F. Un cambio en la calibración afecta todos los modos.

Para cambiar el voltaje de operación

El horno viene preconfigurado para el uso con 240 VAC. Si en su casa hay 208 VAC, se puede cambiar el voltaje del horno.

Un técnico calificado debe realizar la conversión a 208V. Póngase en contacto con su distribuidor local de aparatos electrodomésticos o con el Servicio de Bosch: 800-944-2904.

Autoayuda - Horneado

Consulte la tabla abajo para ver las causas de los problemas más comunes al hornear. Debido a que el tamaño, la forma y el material de los utensilios de hornear tienen un efecto directo sobre los resultados del horneado, la mejor solución podría ser reemplazar los viejos utensilios de hornear que se han oscurecido y deformado con el tiempo y el uso. Revise también la tabla de horneado de convección en la página 9, la posición de rejilla y el tiempo de hornear.

Tabla 8: Autoayuda - Horneado

Problema de Horneado	Causa
Los alimentos se doran poco uniformes	<ul style="list-style-type: none"> - El horno no está precalentado - Papel de aluminio en la rejilla o fondo del horno - Utensilios de hornear son demasiado grandes - Los moldes tienen contacto o tocan la pared
Los alimentos quedan muy dorados en la parte inferior	<ul style="list-style-type: none"> - El horno no está precalentado - Se usa un molde de vidrio, mate o de metal oscuro - Posición incorrecta de la rejilla - Los moldes tienen contacto o tocan la pared
Los alimentos quedan muy secos o muy encogidos	<ul style="list-style-type: none"> - Temperatura del horno muy alta - Tiempo de hornear muy largo - Se abrió la puerta del horno frecuentemente - El molde está demasiado grande
Los alimentos se hornean o asan muy lentamente	<ul style="list-style-type: none"> - Temperatura del horno muy baja - El horno no está precalentado - Se abrió la puerta del horno frecuentemente - Muy sellado con papel de aluminio - El molde está demasiado pequeño
Las cortezas de pays no se doran en el fondo o quedan muy empapadas.	<ul style="list-style-type: none"> - Tiempo de hornear insuficiente - Se usan moldes de acero brillosos - Posición incorrecta de la rejilla - Temperatura del horno muy baja
Los pasteles no se doran y quedan planos, tal vez sin terminar por adentro	<ul style="list-style-type: none"> - Temperatura del horno muy baja - Tiempo de hornear incorrecto - Se probó el pastel antes de tiempo - Se abrió la puerta del horno frecuentemente - El molde está demasiado grande
Los pasteles quedan elevados en el centro con grietas en la parte superior	<ul style="list-style-type: none"> - Temperatura del horno muy alta - Tiempo de hornear muy largo - Los moldes tienen contacto o tocan la pared - Posición incorrecta de la rejilla - El molde está demasiado pequeño
Los bordes de la corteza de pays quedan muy dorados	<ul style="list-style-type: none"> - Temperatura del horno muy alta - Los bordes de la corteza son muy delgadas

Autoayuda - Operación

Antes de llamar y solicitar servicio, revise lo siguiente:

Tabla 9: Autoayuda - Operación

Problema del Horno	Paso para Resolver el Problema
F03 o F04 aparecen en la pantalla	Ocurrió un problema con el bloqueo. Apague la corriente y vuelva a prenderla después de unos segundos. El horno debe realizar una autoprueba de bloqueo. Si la condición sigue igual, anote el número del código y llame a un centro de servicio autorizado.
Otro error_F aparece en la pantalla	Apague la corriente y vuelva a prenderla después de unos segundos. El horno debe realizar una autoprueba de bloqueo. Si la condición sigue igual, anote el número del código y llame a un centro de servicio autorizado.
El ventilador de enfriamiento sigue funcionando después de apagar el horno	Esto es normal. El ventilador se apaga automáticamente cuando los componentes electrónicos se hayan enfriado suficientemente.
La puerta del horno está cerrada y no se abre, aún estando fría	Apague el horno en el cortacircuito y espere unos segundos. Vuelva a conectar el circuito. El horno debe reiniciarse y se podrá operar.
El horno no calienta	Asegúrese de haber seleccionado la temperatura del horno. Revise el cortacircuito o la caja de fusibles en su casa. Asegúrese que hay una alimentación eléctrica correcta para el horno.
El horno no cocina de un modo uniforme	Revise la calibración del horno. Ajuste la calibración si es necesario (vea Compensación de la Temperatura del Horno, Pág. 17). Consulte las tablas de cocinar para las posiciones recomendadas de rejillas. Siempre reduzca la temperatura de recetas por 25°F cuando hornea con el modo de horneado de convección.
La temperatura del horno está muy alta o muy baja	Se debe ajustar el termostato del horno. Vea Calibrar la Temperatura del Horno, Página 17.
Las luces del horno no funcionan correctamente	Reemplace o reinserte el foco si está flojo o defectuoso. Vea la página 15. El foco se puede quemar si lo toca con los dedos.
La luz del horno se queda prendida	La luz del horno se prende automáticamente cuando el horno empieza a calentarse. Oprima LIGHT para apagar la luz del horno. Cuando el horno está apagado, revise si la puerta del horno está obstruida o si las bisagras están dobladas.
No se puede quitar la cubierta del lente	Puede haber sólidos acumulados alrededor de la cubierta. Limpie el área del lente con una toalla seca y limpia antes de tratar de quitar la cubierta del lente.
El horno no se autolimpia bien	Permita que el horno se enfríe antes de ejecutar la autolimpieza. Siempre elimine suciedades sueltas o derrames pesados antes de la autolimpieza. Si el horno está muy sucio, configure una autolimpieza de cuatro horas. Vea Autolimpieza del Horno, Página. 13.
El reloj y cronómetro no funcionan bien	Asegúrese que haya corriente eléctrica correcta para el horno. Vea las secciones sobre Reloj y Cronómetro, Páginas 2 y 8.
Hay mucha humedad	Cuando utiliza el modo de hornear debe precalentar el horno. El horneado de convección elimina cualquier humedad en el horno (esta es una de las ventajas de la convección).
Astillas de porcelana	Al quitar y reemplazar las rejillas del horno, siempre debe inclinarlas hacia arriba y no forzarlas para evitar astillar la porcelana.

CÓMO OBTENER SERVICIO

Para información sobre servicio autorizado o refacciones llame al 800/ 944-2904.

Queremos que usted quede satisfecho con su producto. Si ocurre algún problema que no se puede resolver a su entera satisfacción, escriba al Soporte de Cliente de Bosch 5551 McFadden Avenue, Huntington Beach CA, 92649 o llame al 800-944-2904.

Por favor incluya el número de modelo, número de serie y la fecha de la compra original e instalación.

Garantía

Declaratoria de Garantía Limitada

Las garantías ofrecidas por BSH Home Appliances ("Bosch") en esta Declaratoria de Garantía Limitada aplican sólo a los Hornos Eléctricos empotrables ("Built-In Oven") de Bosch que usted compró, el primer usuario comprador, siempre y cuando el Horno fue adquirido (1) para su uso y no para la reventa y (2) en los Estados Unidos o Canadá y que se encuentra en el país de la compra. El término "Fecha de Instalación" que se usa en esta Declaratoria de Garantía Limitada, se refiere a la fecha más temprana cuando se instala el Horno o diez (10) días laborales después de la fecha de compra del Horno por el primer usuario comprador. Las garantías declaradas aquí aplican sólo al primer usuario comprador y no se pueden transferir.

Garantía Limitada Estándar

Bosch garantiza que su Horno está libre de defectos en materiales y mano de obra por un período de doce (12) meses a partir de la Fecha de Instalación. Durante el período de garantía, Bosch o su centro de servicio autorizado va a reparar o reemplazar, a su discreción, cualquier Horno que resulte defectuoso bajo condiciones de uso normal sin costo alguno. Todas las partes y componentes removidos se volverán propiedad de Bosch, a discreción de Bosch. Todas las partes reemplazadas y/o reparadas asumirán la identidad de la parte original para los propósitos de esta garantía y esta garantía no se puede extender con respecto a tales partes.

Otras Condiciones de las Garantías Limitadas

Las garantías otorgadas en esta Declaratoria de Garantía Limitada excluyen defectos o daños que resultan de (1) el uso del Horno en un modo diferente de su uso normal y usual (el uso comercial del Horno no se considera normal o usual), (2) mal uso, abuso, accidentes o negligencia, (3) operación, mantenimiento, instalación no apropiada o servicio no autorizado, (4) ajustes o alteraciones o modificaciones de cualquier tipo, (5) el hecho de no cumplir con los códigos estatales, locales y municipales eléctricos y/o de construcción que pueden aplicar, (6) derrames de alimentos o líquidos, y (7) fuerzas externas como inundaciones, fuegos, casos fortuitos u otras circunstancias más allá del control de Bosch. También se excluyen raspaduras y daños en superficies externas y partes expuestas u Hornos donde se alteró o se quitó el número de serie.

Al grado permitido por la ley, esta garantía establece sus remedios exclusivos con respecto a los productos cubiertos por ésta, sin importar si la reclamación surge en contrato o agravio (incluyendo la responsabilidad estricta, y negligencia), etc. Bosch no se hace responsable de daños, pérdidas o gastos consecuenciales o incidentales.

ESTA GARANTÍA SUSTITUYE TODAS LAS OTRAS GARANTÍAS EXPRESAS. CUALQUIER GARANTÍA IMPLÍCITA POR LA LEY, YA SEA DE COMERCIABILIDAD O APTITUD PARA ALGÚN PROPÓSITO, ETC., TENDRÁ VIGENCIA SÓLO POR EL PERÍODO DE VIGENCIA DE ESTA GARANTÍA EXPRESA. Ningún intento de alterar, modificar o enmendar esta garantía será efectivo a menos que haya sido autorizado por escrito por un ejecutivo de BSH.

How to Obtain Warranty Service

Para obtener el servicio de garantía para su Estufa, contacte al centro de servicio autorizado de BSH más cercano. BSH Home Appliances • 5551 McFadden Avenue, Huntington Beach, CA 92649 • 800-944-2904.

Registro de Datos para el Servicio

Al abrir la puerta del horno se puede ver la etiqueta con el número de serie del producto. Se encuentra del lado izquierdo, centrada verticalmente justo adentro de la cavidad del horno. Vea la página 3. Ahora es un buen momento para anotar esta información en el espacio proporcionado abajo. Guarde su factura para validar la garantía. Para obtener servicio, vea la página 19.

Número de modelo:
Número de serie:
Fecha de instalación:

BSH reserves the right to change specifications or design without notice. Some models are certified for use in Canada. BSH is not responsible for products which are transported from the United States for use in Canada. Check with your local Canadian distributor or dealer. BSH Home Appliances, Corporation, 5551 McFadden Avenue, Huntington Beach, CA 92649.
For the most up to date critical installation dimensions by fax, use your fax handset and call 702-833-3600. Use code #8030.

BOSCH

YOUR LIFE. OUR INSPIRATION.

5551 McFadden Avenue, Huntington Beach, CA 92649 • 800-944-2904
9000053250 • 10018 Rev. B • 02/05 © BSH Home Appliances Corporation 2005 • Litho U.S.A.