

Frigidaire

Factory Parts Catalog

Product No.	FRS3R4EB2	FRS3R4EQ2	FRS3R4EW2
Series	R134a	R134a	R134a
Color	black	bisque	white
Volts	115	115	115
Wiring Diagram	241526901	241526901	241526901
Owner's Guide	241695300	241695300	241695300
Market	North America	North America	North America
Energy Guide	241585997	241585997	241585997
Service Data Sheet	240389616	240389616	240389616



Electrolux Major Appliances
 North & Latin America
 P.O. BOX 212378
 AUGUSTA, GA 30917

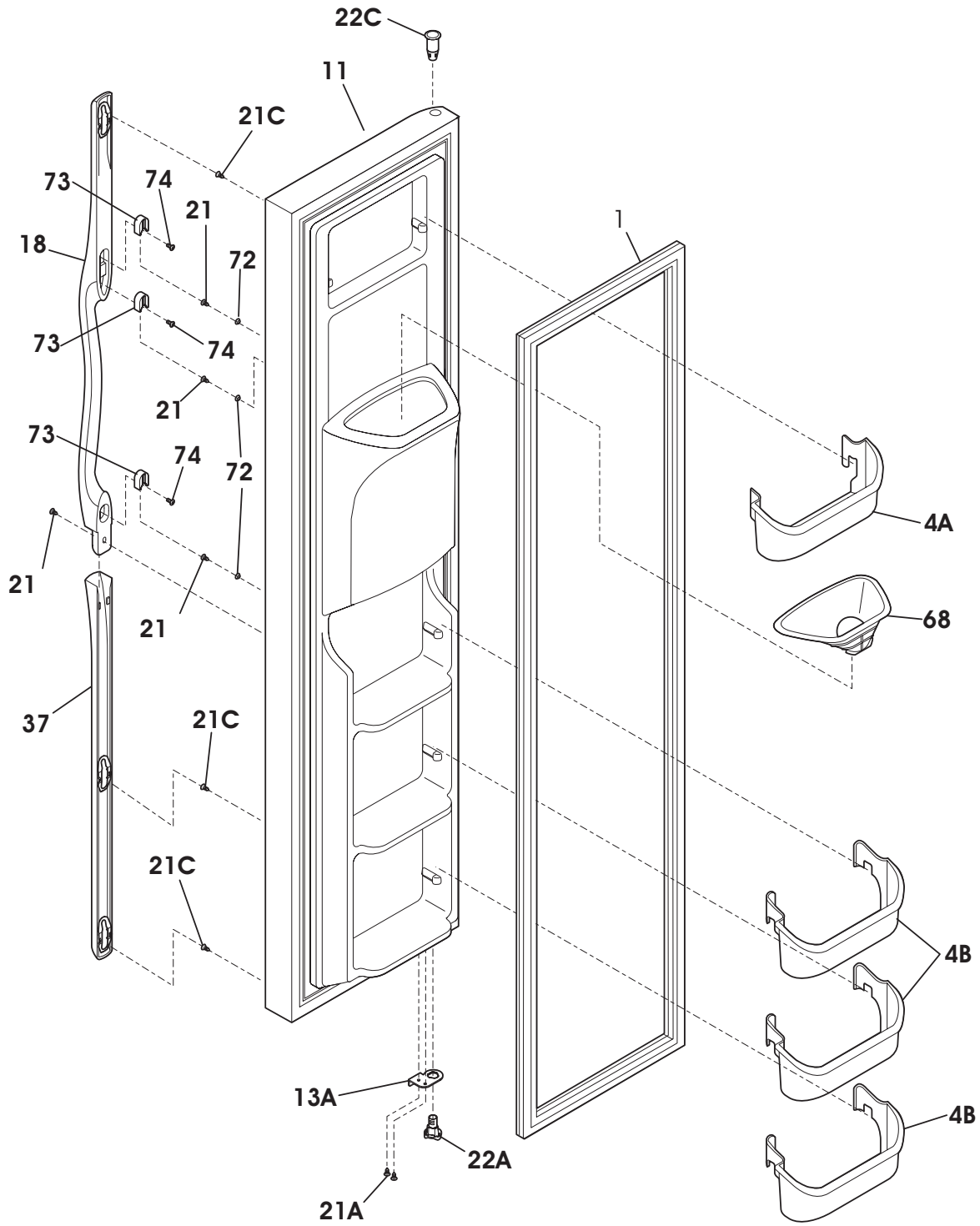
Publication No.
5995459855
 06/01/31
 (EN/SERVICE/KHB)
 137

**SIDE-BY-SIDE
 REFRIGERATOR**

Model No.
FRS3R4E

Copyright © 2006 Electrolux Home Products, Inc.
 All rights reserved.

FREEZER DOOR



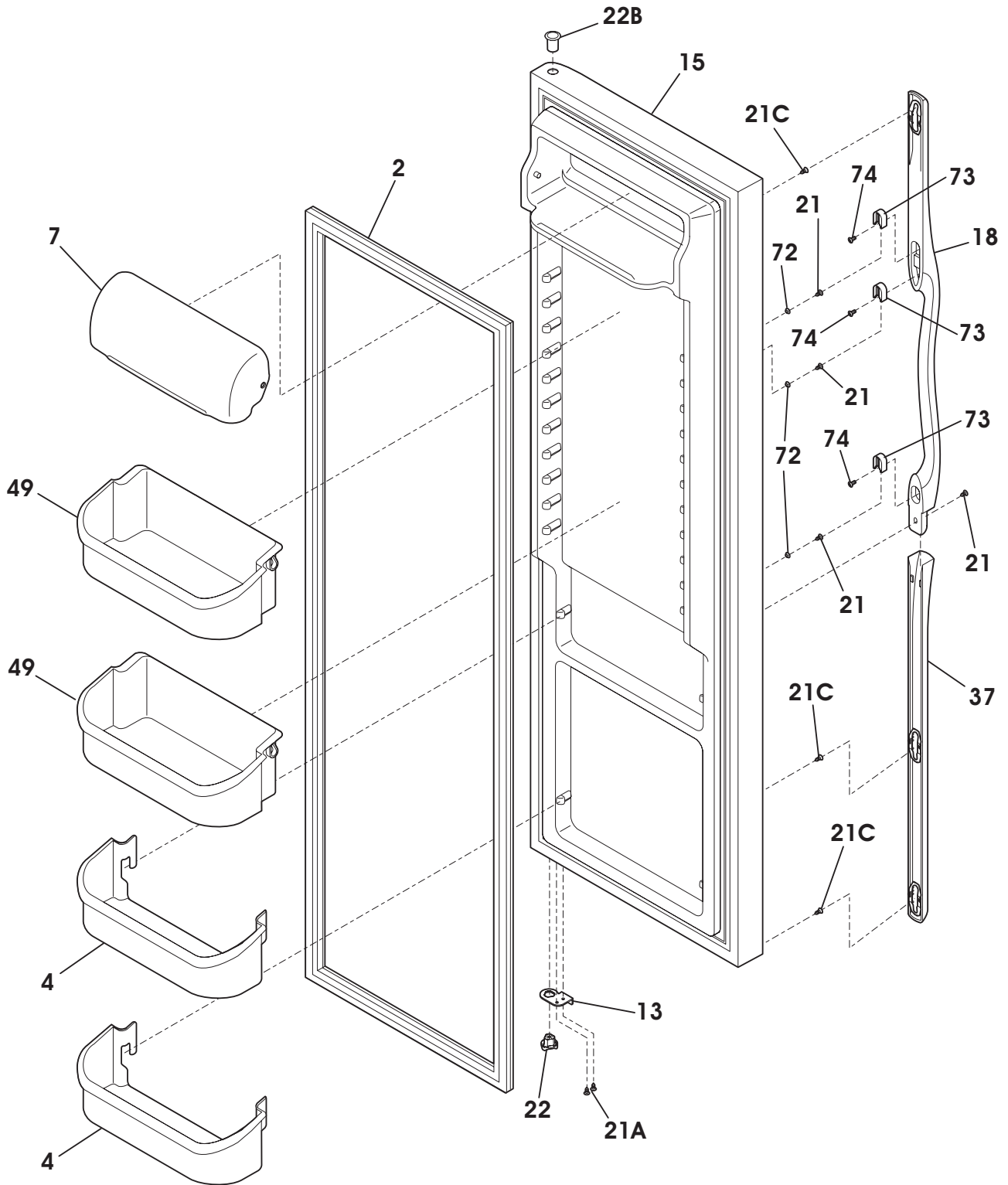
N58FCCBBB2

FREEZER DOOR

Model Index: A FRS3R4E (FRS3R4EB2)
 B FRS3R4E (FRS3R4EQ2)
 C FRS3R4E (FRS3R4EW2)

POS. NO	PART NO.		DESCRIPTION
1 #	241674808	A - -	Gasket-frzr door, black, magnetic
1 #	241674804	- B C	Gasket-frzr door, white, magnetic
4A	240367301	A B C	Bin-door, frzr-upper
4B	240359001	A B C	Bin-door
11	241668153	A - -	Door-frzr, black, complete assy
11	241668129	- B -	Door-frzr, bisque, complete assy
11	241668104	- - C	Door-frzr, white, complete assy
13A	240581906	A - -	Door Stop, black, frzr
13A	240581904	- B -	Door Stop, bisque, frzr
13A	240581902	- - C	Door Stop, white, frzr
18	240359108	A - -	Handle-door, black, LH
18	240359109	- B -	Handle-door, bisque
18	240359106	- - C	Handle-door, white
21	218781100	A B C	Screw, pan head, 8-18 x 0.625
21A	240598401	A B C	Screw, 10-32 x 1/2
21C	240521302	A B C	Screw, #8-18 x 3/4
22A	240328204	A - -	Bearing-hinge(frz), black, closer
22A	240328202	- B C	Bearing-hinge(frz), closer
22C	240328404	A - -	Bearing-hinge, black, upper
22C	240328402	- B C	Bearing-hinge, natural, upper
37	240359203	A - -	Trim-handle, 30.13", black, lower
37	240359204	- B -	Trim-handle, 30.13", bisque, lower
37	240359201	- - C	Trim-handle, 30.13", white, lower
68	241525101	A B C	Chute-ice
72	240421701	A B C	Button-handle mtg, dovetail
73	218396700	A B C	Block-handle mtg, dovetail
74	215503200	A B C	Screw, cr pan hd, 10-16 x 0.500
*	240352102	A B C	Connector-water, straight
*	240552101	A B C	Harness-wiring, door
*	5303918256	A B C	Dispenser heater kit

REFRIGERATOR DOOR



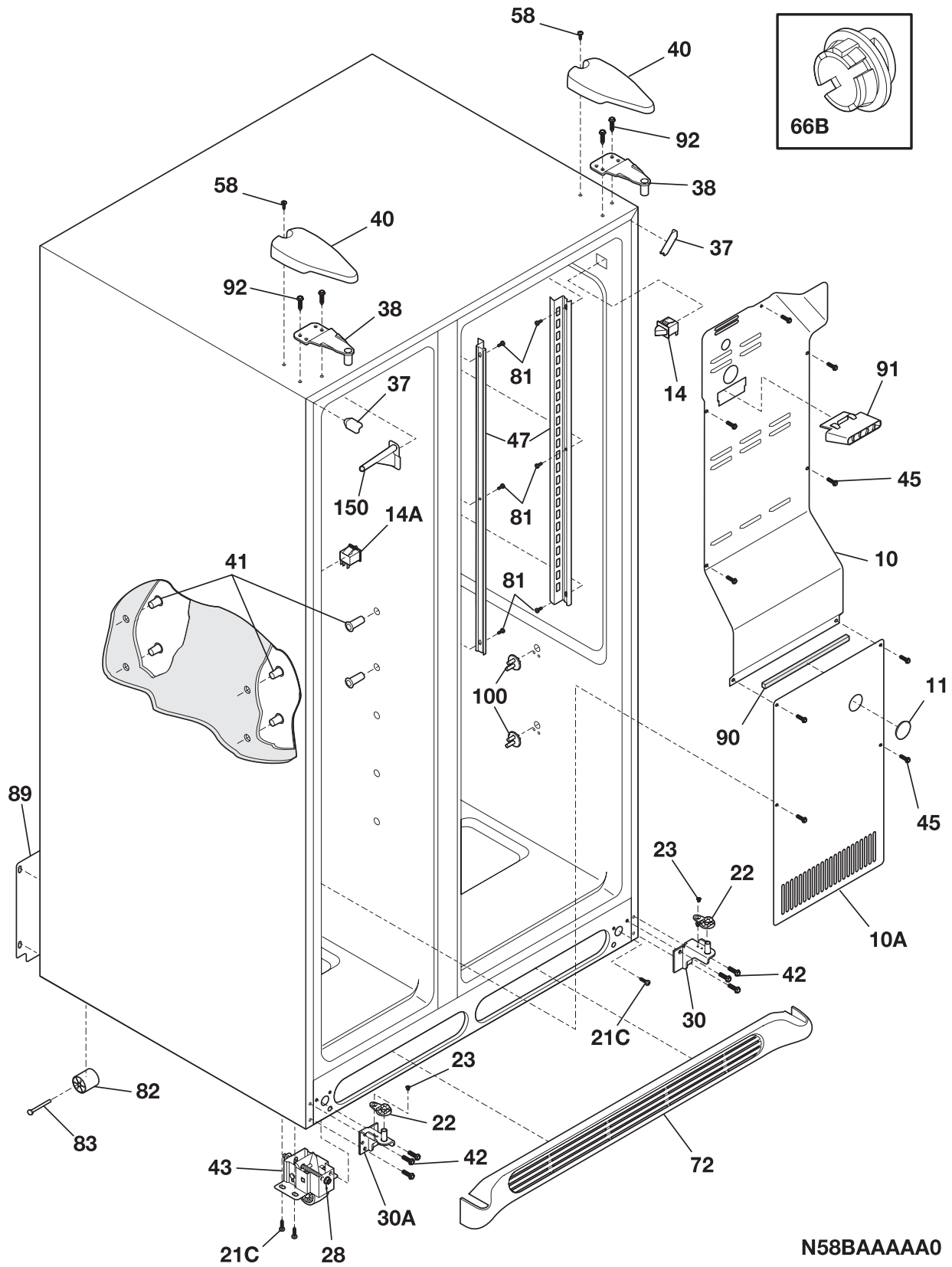
N58RCCBBB5

REFRIGERATOR DOOR

Model Index: A FRS3R4E (FRS3R4EB2)
 B FRS3R4E (FRS3R4EQ2)
 C FRS3R4E (FRS3R4EW2)

POS. NO	PART NO.		DESCRIPTION
2 #	241674807	A - -	Gasket-refr door, black, magnetic
2 #	241674803	- B C	Gasket-refr door, white, magnetic
4	240363701	A B C	Bin-door, 2-liter
7	240338303	A B C	Door, dairy, clear
13	240581905	A - -	Door Stop, black, ref
13	240581903	- B -	Door Stop, bisque, ref
13	240581901	- - C	Door Stop, white, ref
15	240451919	A - -	Door-refr, black, complete assy
15	240451917	- B -	Door-refr, bisque, complete assy
15	240451913	- - C	Door-refr, white, complete assy
18	240359103	A - -	Handle-door, black, RH
18	240359104	- B -	Handle-door, bisque
18	240359101	- - C	Handle-door, white
21	218781100	A B C	Screw, pan head, 8-18 x 0.625
21A	240598401	A B C	Screw, 10-32 x 1/2
21C	240521302	A B C	Screw, #8-18 x 3/4
22	240328203	A - -	Bearing-hinge, black, closer
22	240328201	- B C	Bearing-hinge(ref), closer
22B	240328404	A - -	Bearing-hinge, black, upper
22B	240328402	- B C	Bearing-hinge, natural, upper
37	240359203	A - -	Trim-handle, 30.13", black, lower
37	240359204	- B -	Trim-handle, 30.13", bisque, lower
37	240359201	- - C	Trim-handle, 30.13", white, lower
49	240324501	A B C	Bin-door, gallon
72	240421701	A B C	Button-handle mtg, dovetail
73	218396700	A B C	Block-handle mtg, dovetail
74	215503200	A B C	Screw, cr pan hd, 10-16 x 0.500

CABINET



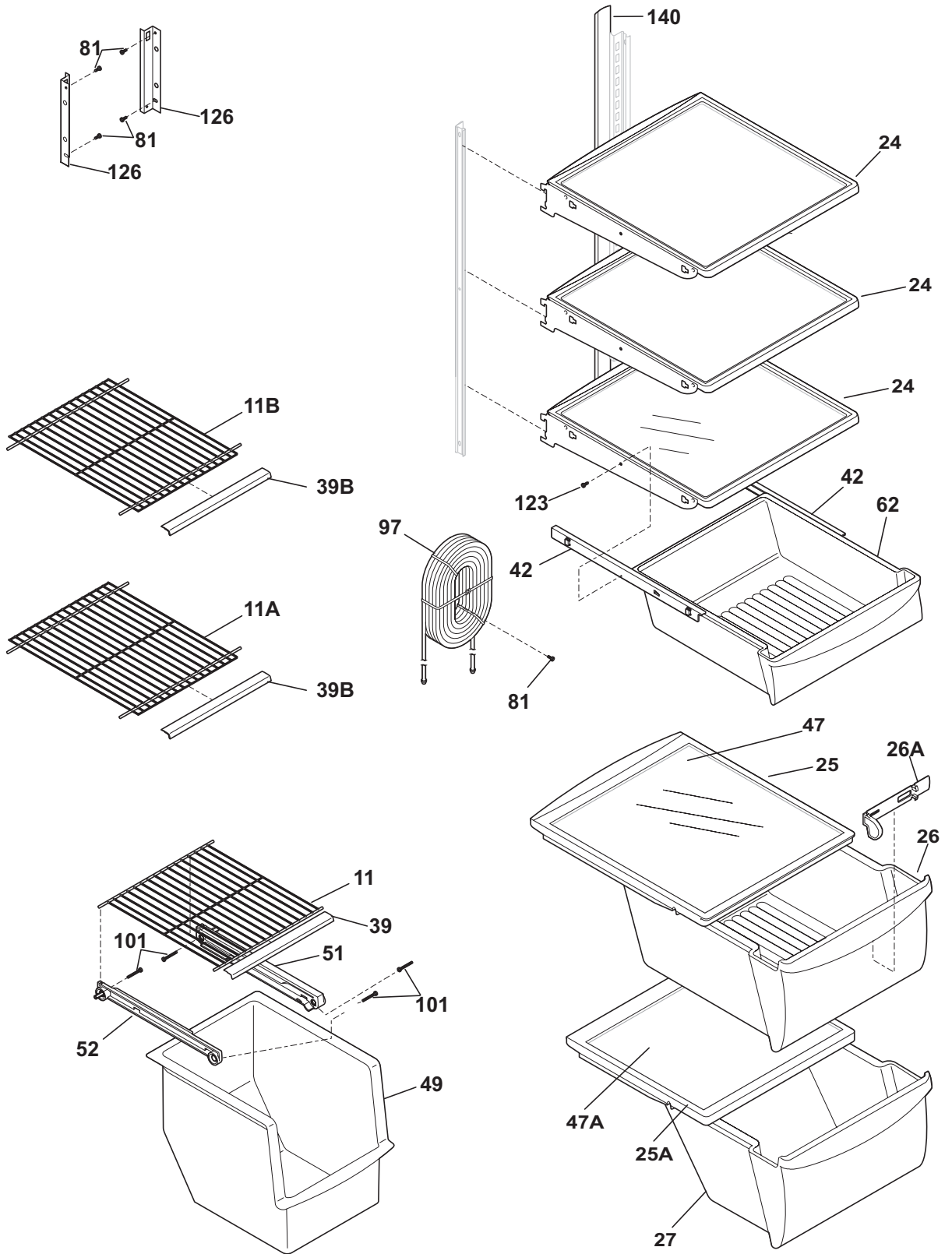
N58BAAAAA0

CABINET

Model Index: A FRS3R4E (FRS3R4EB2)
 B FRS3R4E (FRS3R4EQ2)
 C FRS3R4E (FRS3R4EW2)

POS. NO	PART NO.		DESCRIPTION
10	240435905	A B C	Cover-air duct
10A	240475906	A B C	Cover-evap coil, lower
11	5303208309	A B C	Plug-hole, factory test
14 #	240505801	A B C	Switch, light/lamp
14A	241547901	A B C	Switch-light/lamp, frzr door
21C	218252200	A B C	Screw, #8 truss hd, 10-32CA x 0.500
22	240457702	A - -	Plate-door closer
22	240457701	- B C	Plate-door closer
23	240402701	A B C	Screw-#10-32 x 1/4 flat hd
28	240335501	A B C	Bolt-roller adj, hex washer head, 1/4-20 x 4.020, (2), special
30	241603701	A B C	Bracket-lower hinge, ref
30A	241603702	A B C	Bracket-lower hinge
37	240337603	A - -	Trim-cabinet corner, black, (2)
37	240337604	- B -	Trim-cabinet corner, bisque, (2)
37	240337601	- - C	Trim-cabinet corner, white, (2)
38	240327201	A B C	Bracket-upper hinge
40	240327007	A - -	Cover-upper hinge, black
40	240327006	- B -	Cover-upper hinge, bisque
40	240327005	- - C	Cover-upper hinge, white
41	241550801	A B C	Grommet-shelf mtg, 1.40" long
41*	241550701	A B C	Grommet-shelf mtg, .96" long
42	240578901	A B C	Screw-hinge mtg, hex head, 1/4-20 x 5/8
43	240335003	A B C	Roller Assy, adjustable, front, (2)
45	241500301	A B C	Screw, hex washer head, 8-18AB x 0.500
47	218659500	A B C	Channel-shelf mtg, side, (2)
58	218781100	A B C	Screw, pan head, 8-18 x 0.625
66B	240374301	A B C	Diffuser-air
66B*	240518802	A B C	Pin-push, push-in, plastic
72	240324405	A - -	Grille/Kickplate, black
72	240324403	- B -	Grille/Kickplate, bisque
72	240324401	- - C	Grille/Kickplate, white
81	5308016566	A B C	Screw, hex washer head, 8-15A x 0.625, low profile
82	5304418225	A B C	Roller, compressor base, rear, (2)
83	5303316859	A B C	Rivet, flat head, 1/4 OD x 1-3/4, roller pin
89	241574601	A B C	Cover access
90	218249807	A B C	Seal-coil cover
91	240380101	A B C	Duct-ice maker
92	216850900	A B C	Screw, hex washer hd, 1/4 x 7/8, hinge mtg
100	240423701	A B C	Support, crisper cover, front, (4)
100*	240350802	A B C	Support, crisper cover, rear, (4)
150	240368701	A B C	Guide-control bulb
*	240396801	A B C	Clamp, tube/wiring, nylon, black/natural
*	240479601	A B C	Plug, button, cab liner holes, (2)
*	5303321321	A - -	Paint, touch-up, black
*	5304414035	- B -	Paint, touch-up, bisque
*	5303321319	- - C	Paint, touch-up, white

SHELVES



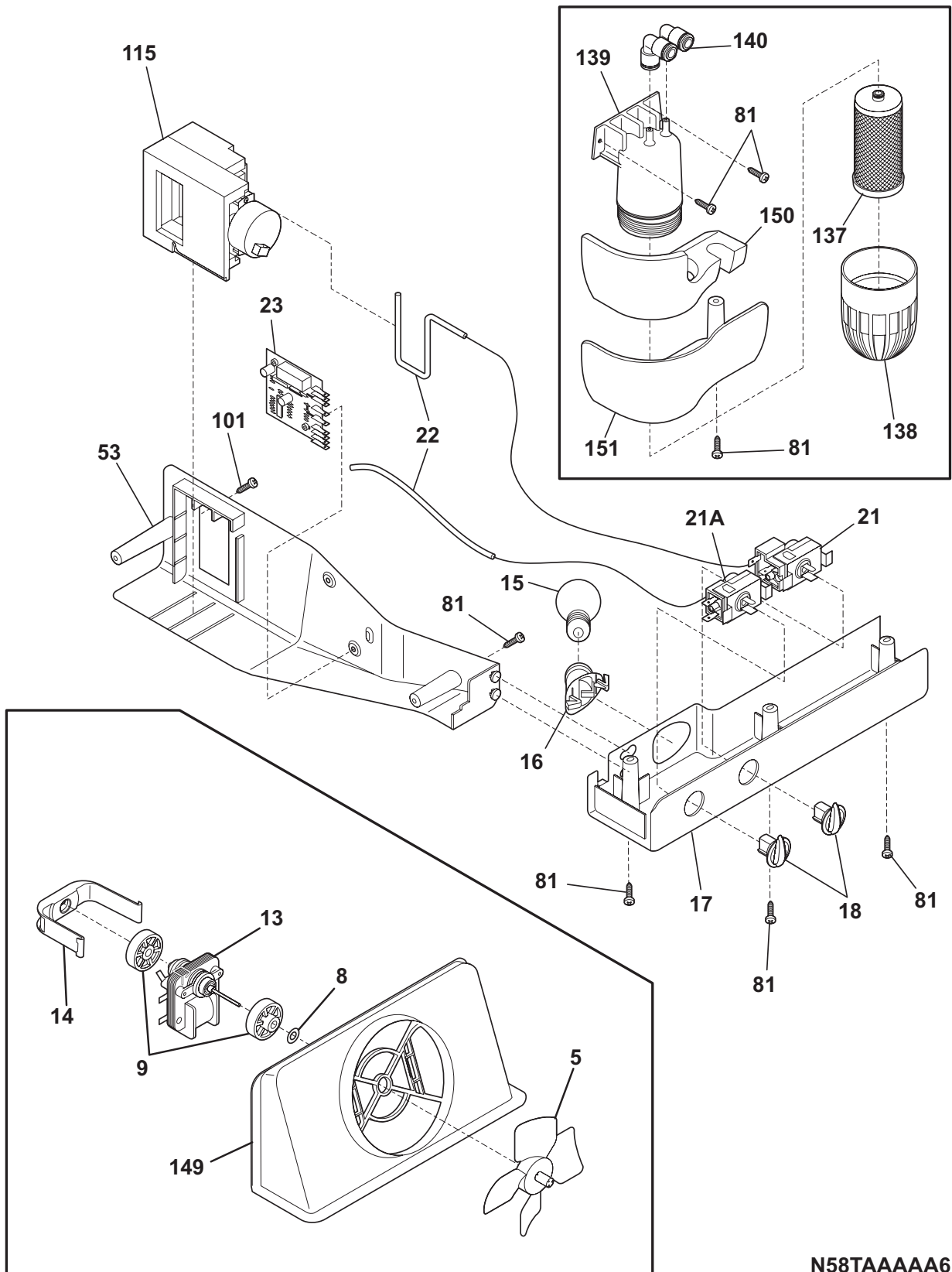
N58SJCAAB12

SHELVES

Model Index: A FRS3R4E (FRS3R4EB2)
 B FRS3R4E (FRS3R4EQ2)
 C FRS3R4E (FRS3R4EW2)

POS. NO	PART NO.		DESCRIPTION
11	241657601	A B C	Shelf, flip up, wire
11A	241657501	A B C	Shelf, fixed, freezer
11B	241657503	A B C	Shelf, fixed upper, freezer
24	240355211	A B C	Shelf-"Spill-Safe", fixed
25	240354502	A B C	Cover-crisper pan, upper
25*	240362101	A B C	Clip-slide, cover-crisper
25A	240354602	A B C	Cover-crisper pan, lower
26	240354705	A B C	Pan-crisper, upper
26*	240349801	A B C	Clip-slide, pan-crisper
26A	240351101	A B C	Control-humidity
27	240354807	A B C	Pan-crisper, lower
39	240430705	A B C	Trim-shelf, front
39B	240430701	A B C	Trim-shelf, front
42	240356501	A B C	Track, meat pan hanger, RH
42	240365401	A B C	Track, meat pan hanger, LH
47	240350635	A B C	Insert-pan cover, glass
47A	240350614	A B C	Insert-pan cover, glass
49	240564301	A B C	Basket-sliding
51	240343002	A B C	Hanger-basket, RH
52	240343102	A B C	Hanger-basket, LH
62	240355506	A B C	Pan-meat
81	5308016566	A B C	Screw, hex washer head, 8-15A x 0.625, low profile
97	240545302	A B C	Water Tank Assy, coiled tubing, rear filter
101	218493100	A B C	Screw, hex washer head, 8-18AB x 1-3/4
123	215005100	A B C	Screw, hanger/r/r mtg, 8-10 x 0.438
126	241674401	A B C	Channel, auger mtg, LH
126	241674402	A B C	Channel, auger mtg, RH
140	240430501	A B C	Channel, wtr tube cover

CONTROLS



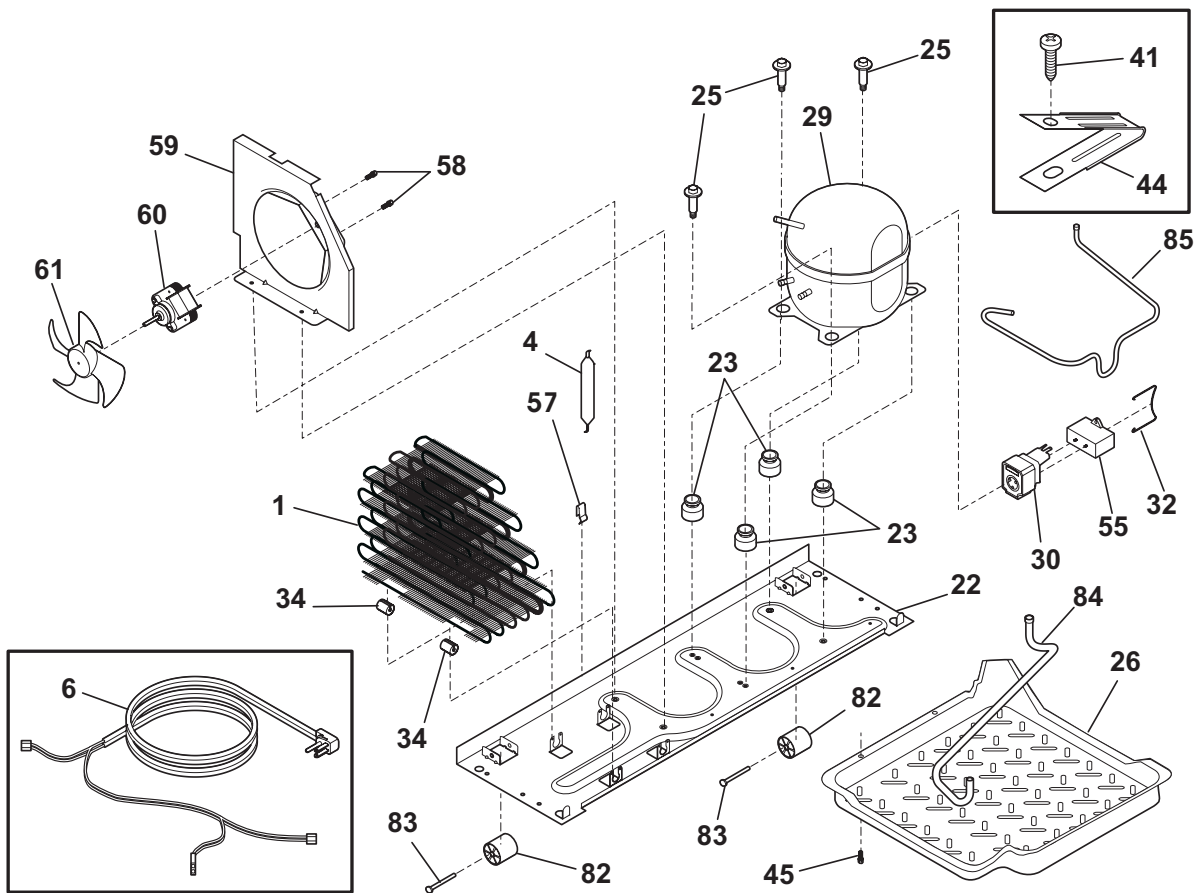
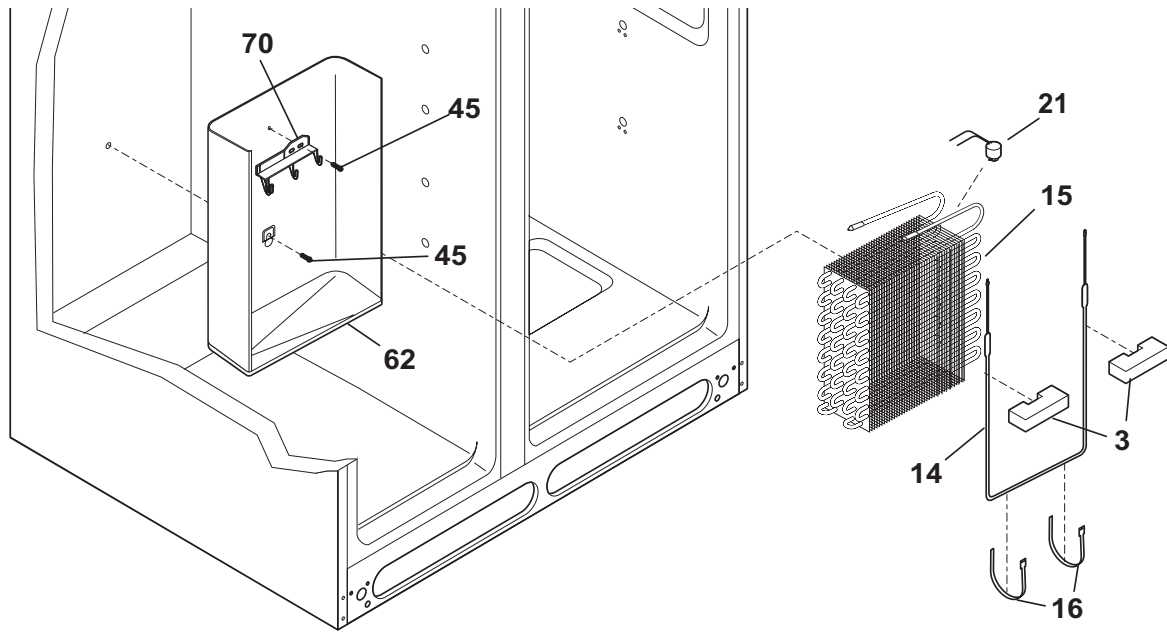
N58TAAAAA6

CONTROLS

Model Index: A FRS3R4E (FRS3R4EB2)
 B FRS3R4E (FRS3R4EQ2)
 C FRS3R4E (FRS3R4EW2)

POS. NO	PART NO.		DESCRIPTION
5 #	5308000010	A B C	Fan Blade, red, evaporator fan
8	215474201	A B C	Washer, "slinger", nylon, evap fan shaft
9	241563601	A B C	Bushing-motor mtg, (2)
13	240369702	A B C	Motor-evap fan
14	241517701	A B C	Clip, evap fan motor
15	241555401	A B C	Light Bulb
16 #	241513901	A B C	Socket-light
17	240374006	A B C	Box-control, front
17*	215188300	A B C	Screw-control box mtg, hex head, 8-15A x 1.000, refr/frzr
17*	241537802	A B C	Harness-wiring, control box
18	240360801	A B C	Knob, temp control
21 #	241586501	A B C	Control-temperature
21A	5304421067	A B C	Control-temperature, frzr section
22	218660702	A B C	Tube-insulator
23 #	241508001	A B C	Control-defrost, adaptive timer, PC board
23*	5303001259	A B C	Screw-timer mtg, pan hd, 6-20 x 0.438, (2)
53	240369501	A B C	Box-control
81	5308016566	A B C	Screw, hex washer head, 8-15A x 0.625, low profile
101	241637201	A B C	Screw-Hex HD #8AB X 1 3/4
115	241600902	A B C	Damper Assy, w/seal
137#	240389101	A B C	Filter, water, carbon canister, rear, with o'rings
137*	218710300	A B C	Wrench-filter
138	240434401	A B C	Cup-water filter
138*	218904301	A B C	O-ring, wtr filter cup
139	240434301	A B C	Housing-water filtr
140	240545201	A B C	Elbow-water tube
149	241563401	A B C	Shroud-fan orifice
149*	241528305	A B C	Seal, shroud
150	240394102	A B C	Insulation-water filter cover
151	240376002	A B C	Cover-water filter

SYSTEM



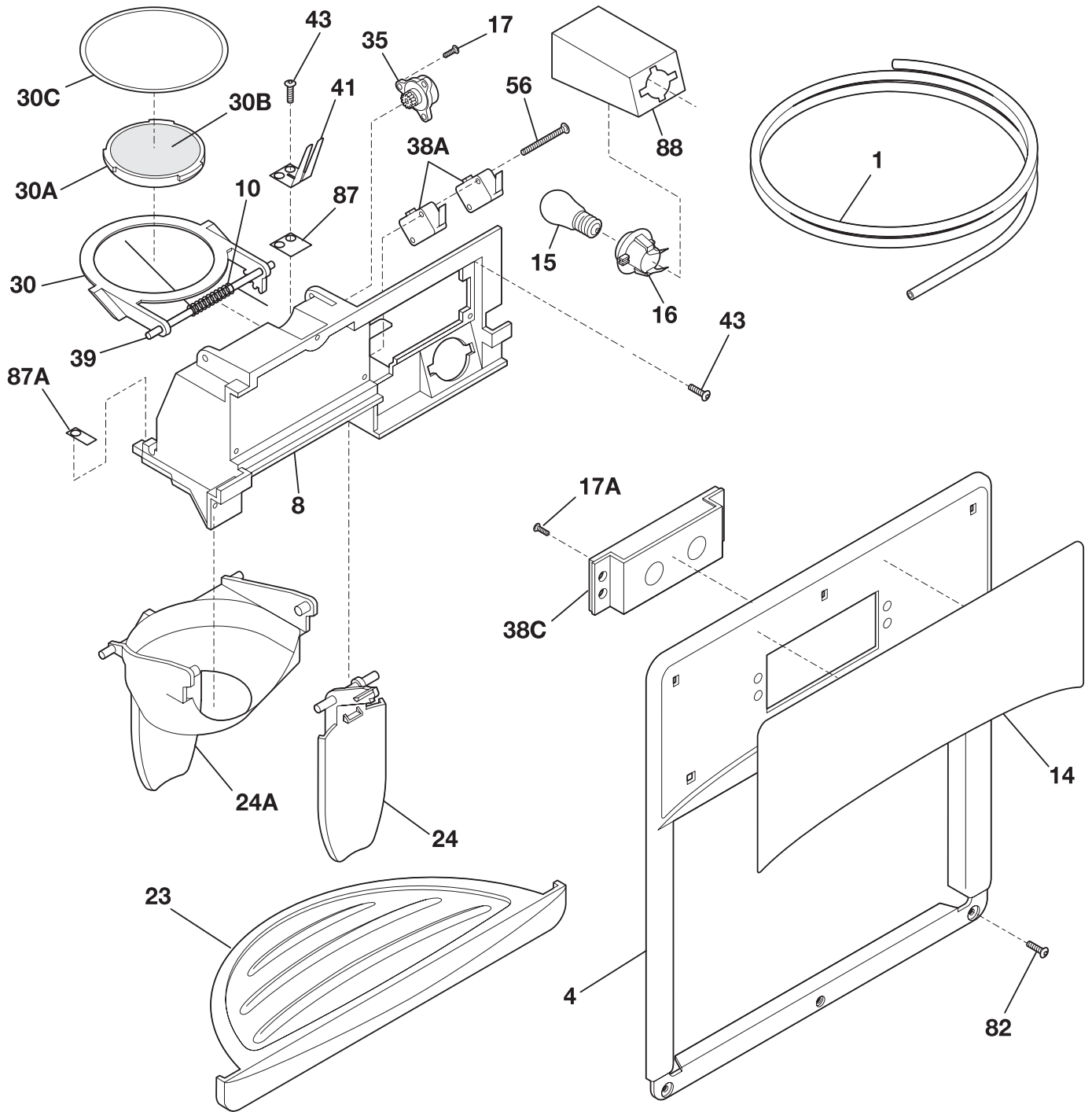
N58CAAAA5

SYSTEM

Model Index: A FRS3R4E (FRS3R4EB2)
 B FRS3R4E (FRS3R4EQ2)
 C FRS3R4E (FRS3R4EW2)

POS. NO	PART NO.		DESCRIPTION
1	240333602	A B C	Condenser
3	218679606	A B C	Block-evap coil, styrofoam, (2)
4 #	218944001	A B C	Drier-filter, R134a System
6	241586801	A B C	Harness-wiring, machine compt
6*	241651601	A B C	Harness-wiring
6* #	241537802	A B C	Harness-wiring, control box
14 #	240316107	A B C	Heater-defrost
15 #	5303918286	A B C	Evaporator Kit
16	5308000110	A B C	Strap-evap/heater, aluminum, (2)
21	5303918214	A B C	Thermostat-defrost, kit
22	240330007	A B C	Base-compressor mtg
22*	218252200	A B C	Screw, #8 truss hd, 10-32CA x 0.500
23	241659701	A B C	Grommet, compressor
25	240491501	A B C	Screw-compressor mtg, 1/4-28 x 1.16, shoulder, typ CF
26	241637401	A B C	Pan-defrost
29	5303918324	A B C	Compressor, kit, w/electricals
30 #	241524611	A B C	Starter-PTC
32	241650901	A B C	Clamp, elec cont mtg, compressor
34	240405201	A B C	Grommet, rubber, black, cond tube/wire
41	240555001	A B C	Screw-#8-32 X 3/8
44	215174700	A B C	Clamp-service cord, strain relief, galv steel
45	5308016566	A B C	Screw, hex washer head, 8-15A x 0.625, low profile
55	218909913	A B C	Capacitor, run, 220 VAC, 15 microfarad
57	240542601	A B C	Clip-wiring harness
58	218897002	A B C	Screw, hex washer head, 8-32 x 0.375
59	5304430246	A B C	Bracket-cond motor assy
59*	240346701	A B C	Tape-foam seal, shroud
59*	240359401	A B C	Screw-fan shroud, (2)
60	240525402	A B C	Motor, condensor fan
61 #	240524101	A B C	Fan Blade, galv steel, condenser fan
62	240429401	A B C	Trough-drain
70	218990801	A B C	Bracket-evap/cvr mtg
82	5304418225	A B C	Roller, compressor base, rear, (2)
83	5303316859	A B C	Rivet, flat head, 1/4 OD x 1-3/4, roller pin
84	5304421068	A B C	Tube-drain, lower
85	240553501	A B C	Tube-connector, suction
* #	5303918328	A B C	Heat Exchanger Kit, suction line, service
*	5303918222	A B C	Hot Tube Repair Kit, service

ICE & WATER DISPENSER



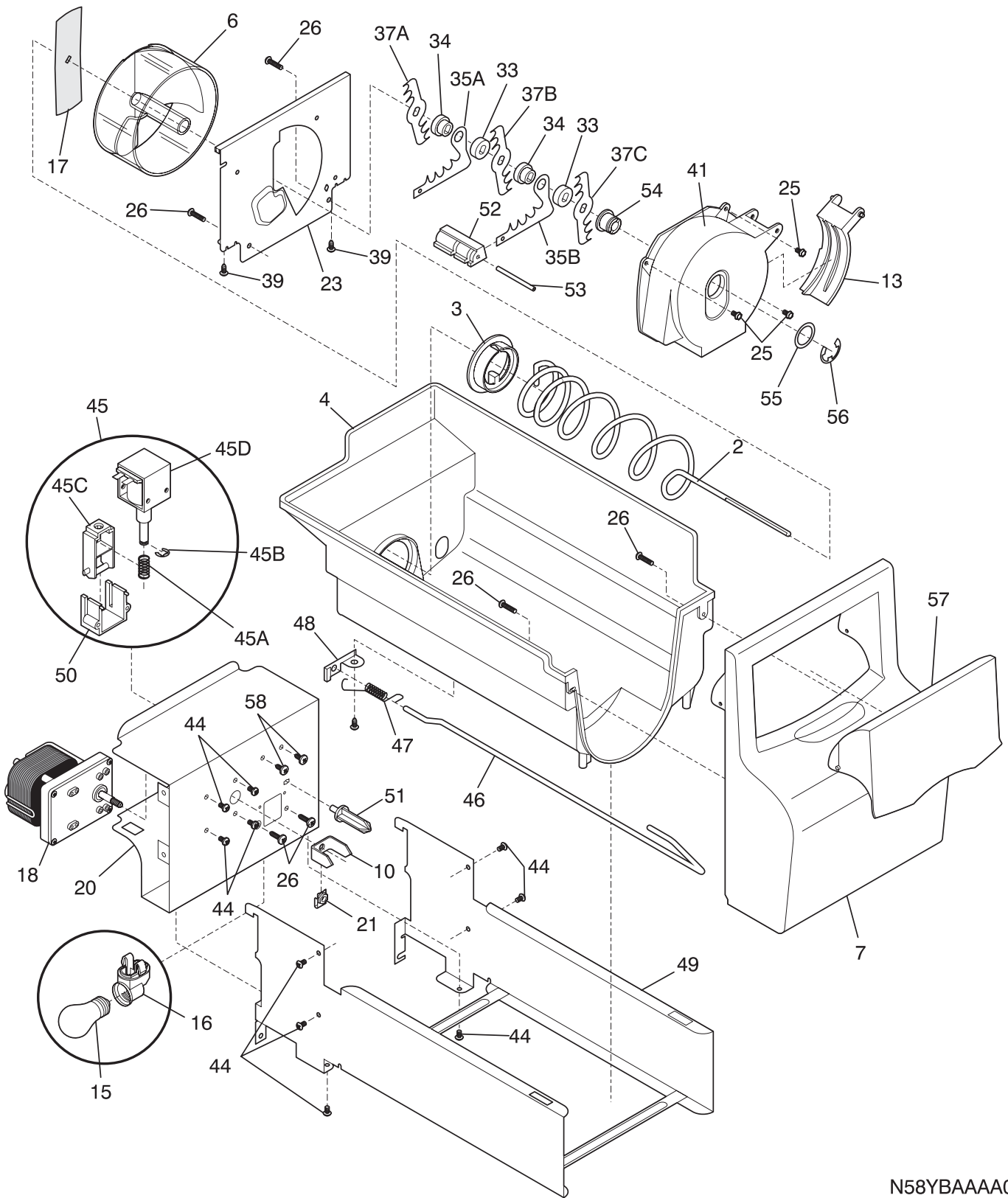
N58XDAAA1

ICE & WATER DISPENSER

Model Index: A FRS3R4E (FRS3R4EB2)
 B FRS3R4E (FRS3R4EQ2)
 C FRS3R4E (FRS3R4EW2)

POS. NO	PART NO.		DESCRIPTION
1	218976409	A B C	Tube-water-DOOR
1*	218976901	A B C	Tube-water inlet, inlet valve, to ice maker
1*	218976904	A B C	Tube-water inlet, valve to filter
1*	218976907	A B C	Tube-water inlet, valve to door
1*	240561701	A B C	Seal-water inlet, inlet valve, to ice maker
4	5304433186	A - -	Cover-module, black
4	5304433187	- B -	Cover-module, bisque
4	5304433188	- - C	Cover-module, white
8	5304422013	A - -	Module-dispenser
8	5304421849	- B -	Module-dispenser
8	5304422030	- - C	Module-dispenser
10	5304426649	A B C	Spring-torsion
14	240570206	A - -	Label-module cover, black
14	240570205	- B -	Label-module cover, bisque
14	240570204	- - C	Label-module cover, white
15	5304421616	A B C	Light Bulb
16	240548901	A B C	Socket-light
17	5304421619	A B C	Screw
17A	5304433185	A B C	Screw, switch mtg.
23	241649003	A - -	Drip Tray, black
23	241649002	- B -	Drip Tray, bisque
23	241649001	- - C	Drip Tray, white
24	5304422026	A - -	Actuator-water, black
24	5304422027	- B -	Actuator-water, bisque
24	5304421825	- - C	Actuator-water, white
24A	5304422025	A - -	Actuator-ice, black
24A	5304422028	- B -	Actuator-ice, bisque
24A	5304421826	- - C	Actuator-ice, white
30	5304421628	A B C	Door Assy-ice chute
30A	5304421624	A B C	Door center
30B	5304421625	A B C	Insulation-door
30C	5304421629	A B C	Door seal
35	5304421620	A B C	Damper-rotary
38A#	5304421617	A B C	Switch-micro, single pole, double throw
38A*	5304430839	A B C	Harness-wiring
38C#	5304436275	A B C	Switch
38C*	5304430837	A B C	Harness-wiring
39	5304421627	A B C	Pin-hinge
41	5304421829	A B C	Spring-actuator
43	215296300	A B C	Screw, plask h/l, #6 x 3/8
56	5304421830	A B C	Screw-micro switch, pan head
82	240363401	A B C	Screw-#8-18 X 1/2, #6 hd plask
87	5304421622	A B C	Bearing Plate
87A	5304421621	A B C	Bearing Plate
88	5304421615	A B C	Shield-light
*	218515401	A B C	Clip
*	5303918256	A B C	Dispenser heater kit

ICE CONTAINER



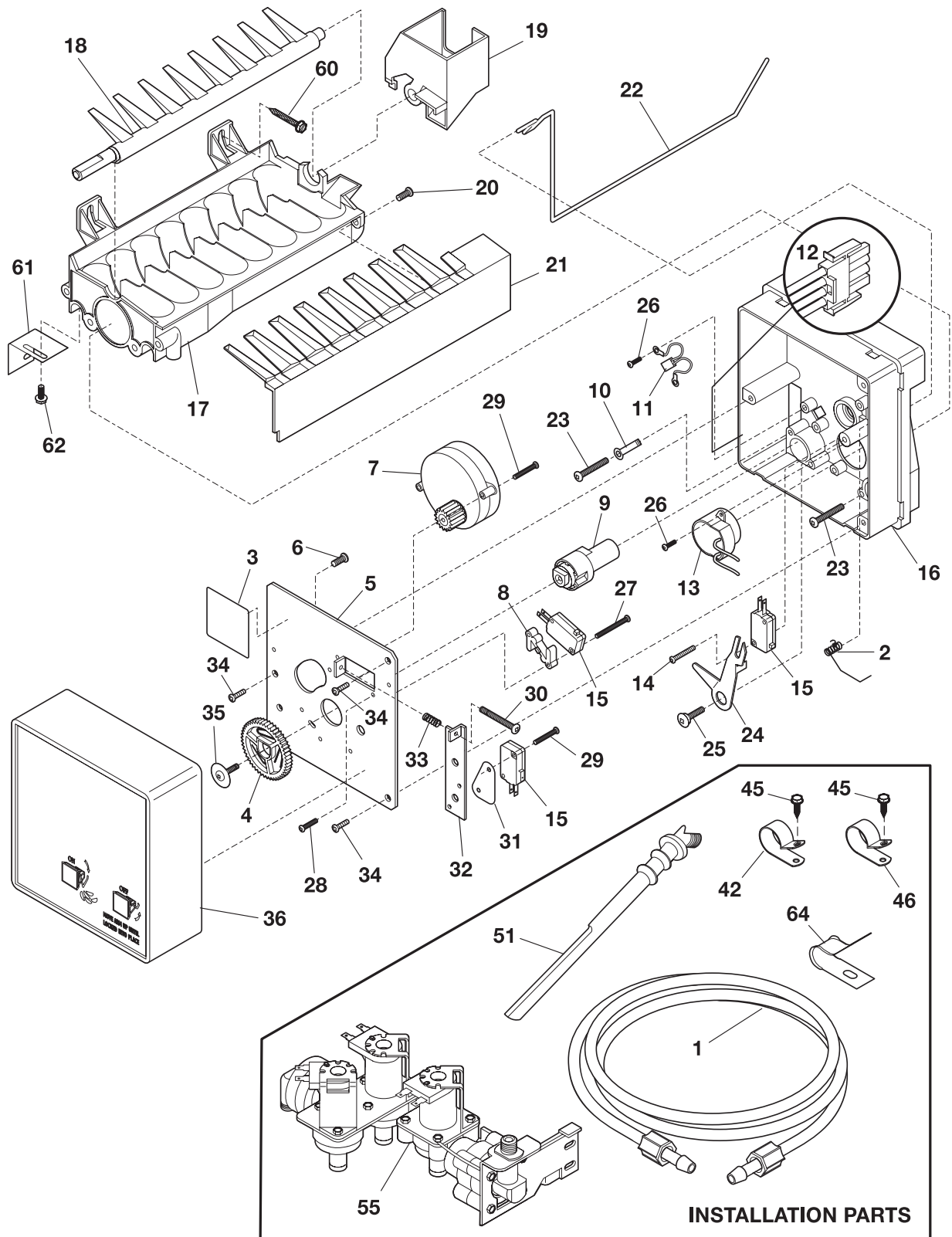
N58YBAAAA0

ICE CONTAINER

Model Index: A FRS3R4E (FRS3R4EB2)
 B FRS3R4E (FRS3R4EQ2)
 C FRS3R4E (FRS3R4EW2)

POS. NO	PART NO.		DESCRIPTION
2	5304428402	A B C	Auger-ice
3	5304404343	A B C	Cam-drive
4	218815300	A B C	Container-ice, bucket only
6	5304404346	A B C	Drum-ice disp
7	218815400	A B C	Front-ice container
10	241624801	A B C	Bar-drive
13	5304404359	A B C	Gate
15	241555401	A B C	Light Bulb
16	241559801	A B C	Socket-light
17	5304404345	A B C	Drive Blade
18	5304447433	A B C	Motor-auger
18*#	240352601	A B C	Wiring Harness, internal, with plug
20	5304404332	A B C	Cover-motor
21	215285100	A B C	Nut-drive
23	5304404347	A B C	Plate-front
25	5304404362	A B C	Screw, hex washer head, 8-32T x 0.375
26	215503200	A B C	Screw, cr pan hd, 10-16 x 0.500
33	5304404351	A B C	Spacer
34	5304404349	A B C	Spacer
35A	5304404353	A B C	Fixed Blade, round
35B	5304404352	A B C	Fixed Blade, square
37A	5304404348	A B C	Blade, crusher #1
37B	5304404350	A B C	Blade, crusher #2
37C	5304404356	A B C	Blade, crusher #3
39	5304404365	A B C	Screw
41	5304404358	A B C	Housing-crusher
44	218359200	A B C	Screw, pan head, 8-32 x 0.250
45 #	5304404333	A B C	Solenoid Assy
45A	5304406816	A B C	Spring-solenoid
45B	5304406817	A B C	E-Ring-solenoid
45C	5304406818	A B C	Actuator-solenoid
45D	5304406819	A B C	Solenoid
46	5304404341	A B C	Control Rod
47	5304404342	A B C	Spring-control rod
48	5304404340	A B C	Bracket-control rod
48*	5304404364	A B C	Screw-bracket
49	5304404880	A B C	Rail Assy
50	5304404334	A B C	Guide-solenoid
51	5304404336	A B C	Rotation Stop
52	5304404354	A B C	Spacer-fixed blades
53	5304404355	A B C	Pin-spiral, fixed blades
54	5304404357	A B C	Nut-auger
55	5304404360	A B C	Washer
56	5304404361	A B C	E-ring
57	5304404363	A B C	Door-access
58	5304404331	A B C	Screw-solenoid
*	240323808	A B C	Ice Container Assy, w/moving parts
*	240507202	A B C	Deflector-ice container

ICE MAKER



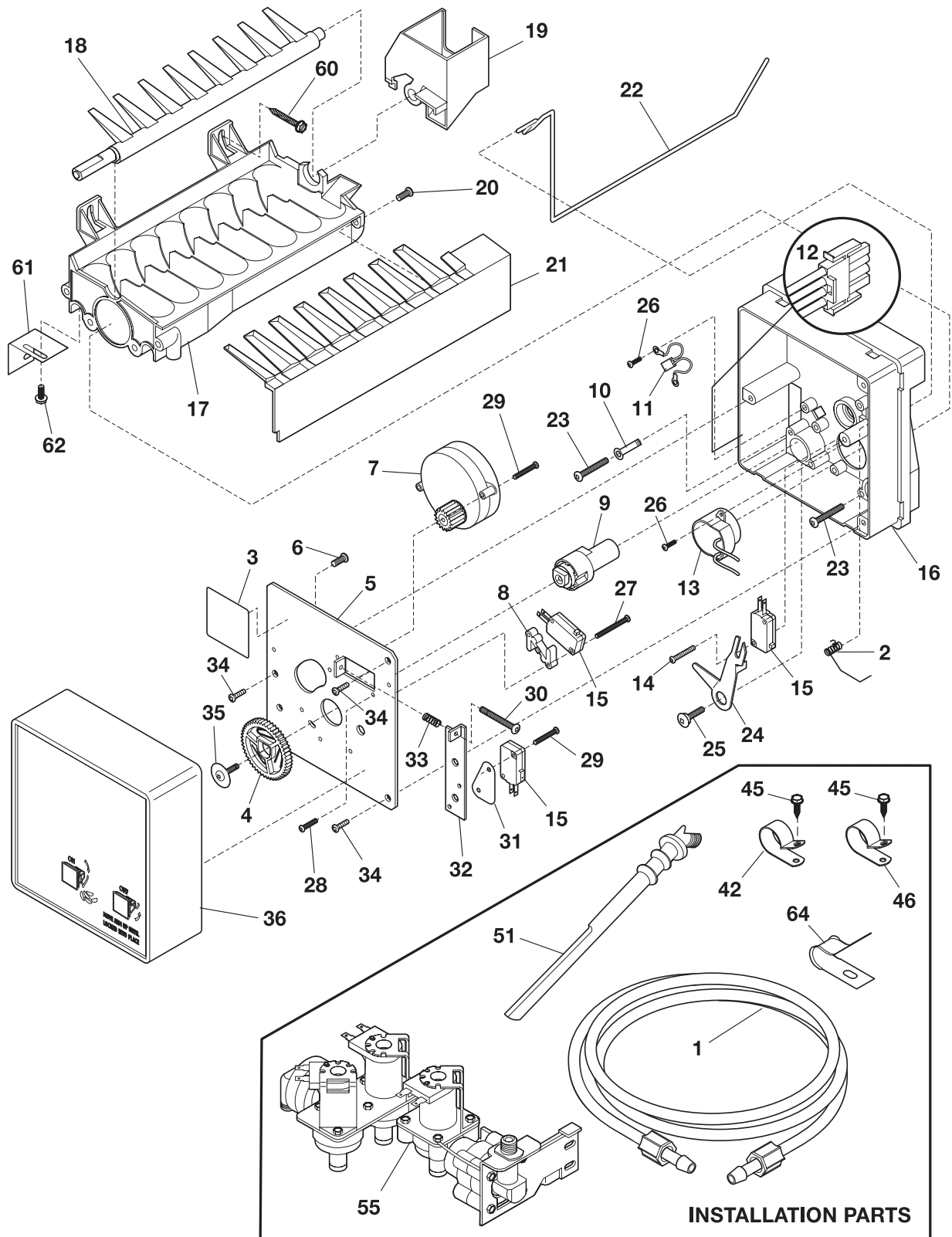
N58I115

ICE MAKER

Model Index: A FRS3R4E (FRS3R4EB2)
 B FRS3R4E (FRS3R4EQ2)
 C FRS3R4E (FRS3R4EW2)

POS. NO	PART NO.		DESCRIPTION
1	218976409	A B C	Tube-water-DOOR
1*	218976901	A B C	Tube-water inlet, inlet valve, to ice maker
1*	218976904	A B C	Tube-water inlet, valve to filter
1*	218976907	A B C	Tube-water inlet, valve to door
1*	240561701	A B C	Seal-water inlet, inlet valve, to ice maker
2	5304420650	A B C	Spring, shut-off arm
3	3206299	A B C	Label, ID plate
4	3206301	A B C	Gear
5	3206303	A B C	Plate-mounting
6	3206305	A B C	Screw-ground wire, 8-32 x 0.250
7 #	3206306	A B C	Motor-ice maker
8	3206312	A B C	Spacer-hold switch
9	3206313	A B C	Cam
10	3206315	A B C	Clamp
11 #	3206319	A B C	Thermal Cutoff, ICE MAKER, complete assy
12 #	240352601	A B C	Wiring Harness, internal, with plug
13 #	3206322	A B C	Thermostat Assy, ICE MAKER
14	5304420652	A B C	Screw, 4 x 0.750, switch mtg.
15 #	3206324	A B C	Switch, (3)
16	5304420653	A B C	Support, phenolic
17 #	5303320545	A B C	Mold-ice maker, Radius Cube, with heater
18	3206328	A B C	Ejector-ice
19	3206330	A B C	Bearing & Inlet
20	5304408581	A B C	Screw, 8-32 x 0.375
21	3206332	A B C	Ice Stripper
22	3206333	A B C	Shut-off Arm
23	5304408582	A B C	Screw, 8-32 x 0.875, mold-to-support, (3)
24	3206335	A B C	Lever Arm
25	3206336	A B C	Screw, 8-18 x 0.562, lever arm/sprt
26	5304420654	A B C	Screw-thermo/sprt, 4-24 x 0.375, (4)
27	3206338	A B C	Screw, 4-40 x 1.000, hold switch mtg, (2)
28	3206339	A B C	Screw-timing stop, 4-40 x 0.375
29	3206323	A B C	Screw, 4-24 x 0.750, (6)
30	3206341	A B C	Screw-timing adj, 8-32 x 1.000
31	3206342	A B C	Insulator
32	3206343	A B C	Plate-valve switch
33	5304408583	A B C	Spring-timing adj
34	5304420655	A B C	Screw, plazscrew, 8-10, (3)
35	5304408585	A B C	Screw
36	3206347	A B C	Cover-ice maker
42	5303001199	A B C	Clamp-wiring harness, strain relief, galv steel
42*	218515402	A B C	Clip, (2), tube mtg.
45	5308016566	A B C	Screw, hex washer head, 8-15A x 0.625, low profile
45*	5303001343	A B C	Screw, hex washer head, 8-15A x 0.500
46	5303001193	A B C	Clamp, .50 ID, steel, water tube
46*	5308000133	A B C	Clamp, nylon, .625 ID
51	240387101	A B C	Tube-water, ice mold fill, extension
55 #	240531101	A B C	Valve-water, triple solenoid

ICE MAKER



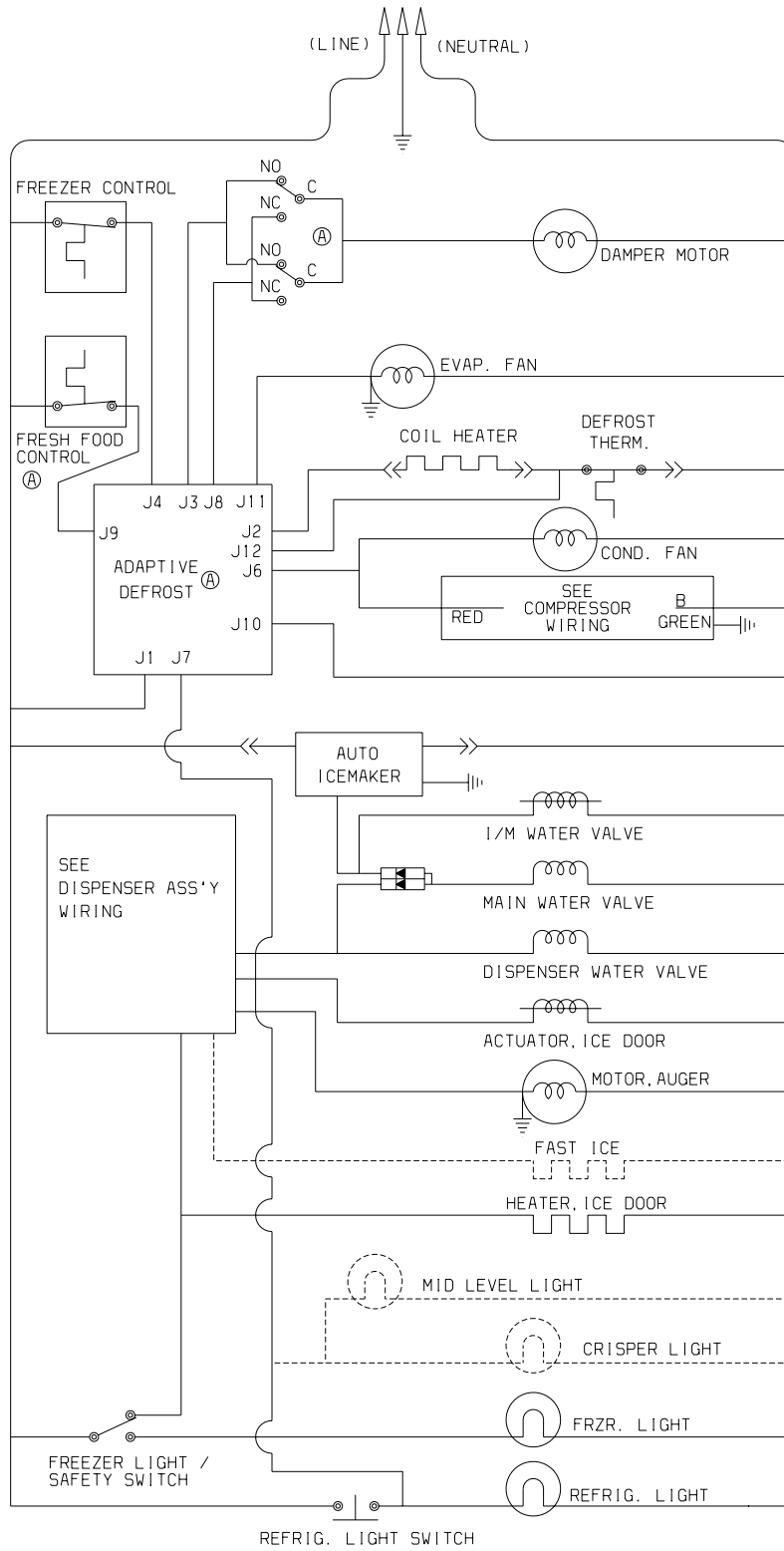
N58I115

ICE MAKER

Model Index: **A** FRS3R4E (FRS3R4EB2)
 B FRS3R4E (FRS3R4EQ2)
 C FRS3R4E (FRS3R4EW2)

POS. NO	PART NO.		DESCRIPTION
55*	218709100	A B C	Screw, hex head, 10-32 x 0.500
55*	240363601	A B C	Screw-shoulder
55*	240542901	A B C	Cap-water valve
60	5303207328	A B C	Screw, hex washer head, 8-15A x 1.000, (2)
61	218721500	A B C	Bracket-leveling, ICE MAKER
62	218737900	A B C	Screw-IM brkt mtg, hex washer head, 8-32D x 0.375
64	5303001549	A B C	Clamp, 0.31 ID, steel, copper wtr line
*	218888001	A B C	Adapter-water supply, nut & sleeve, compression ftg
*	240352411	A B C	Ice Maker, Radius Cube, 115 V, no instl parts

WIRING SCHEMATIC



WIRING DIAGRAM

