

FACTORY PARTS CATALOG DRYER

Frigidaire

 **Electrolux**



PRODUCT NO.	BASE MODEL NO.	SERIES	COLOR	VOLTS
GLER642AS3	GLER642A	Frig Gallery	white	240
MARKET				
North America				

WIRING DIAGRAM - # 134067000
OWNER'S GUIDE - # 131883500
INSTALLATION INSTRUCTIONS - # 131751700

 **Electrolux**

ELECTROLUX HOME PRODUCTS, INC.
P.O. BOX 212378, Augusta, GA 30917

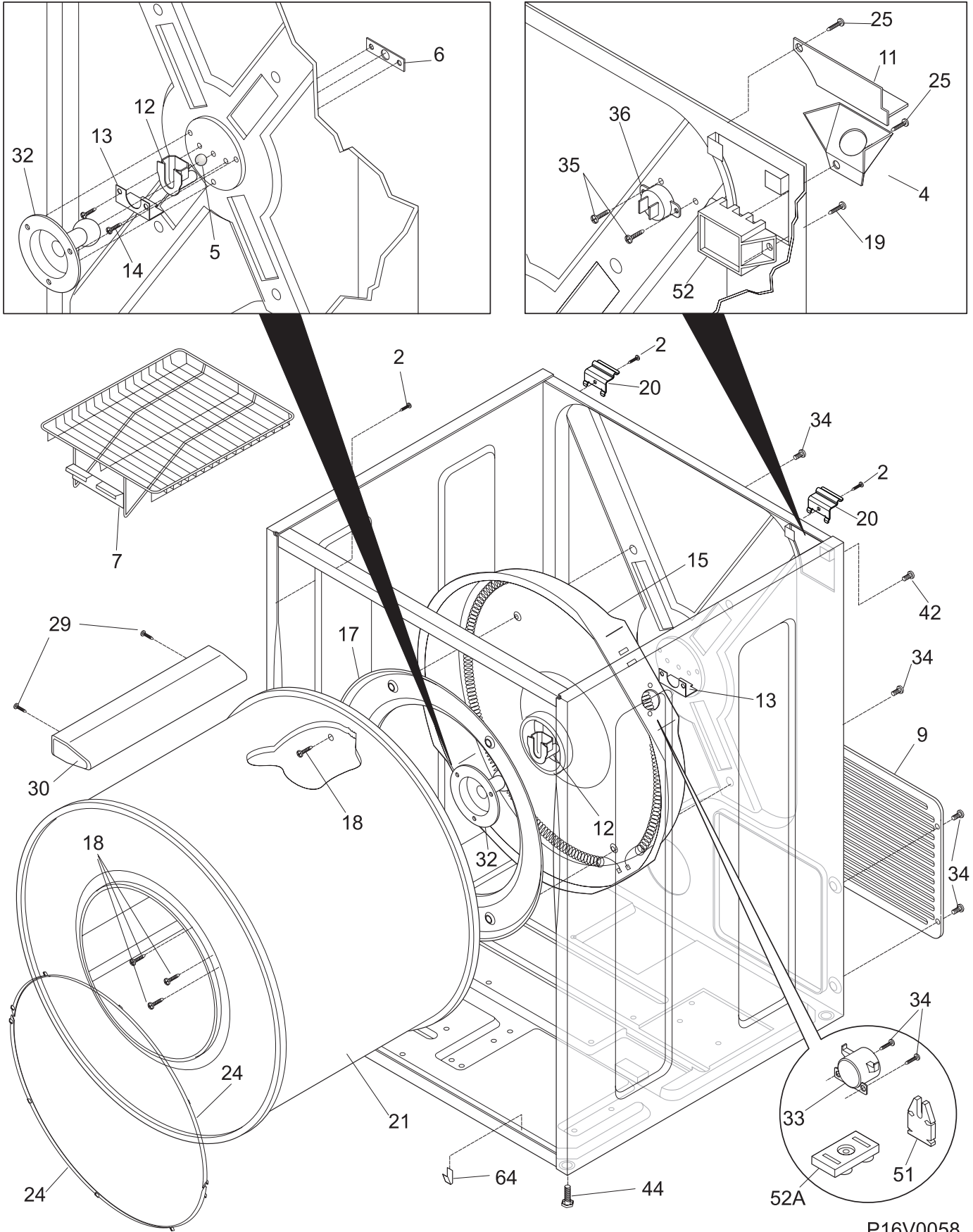
Publication No.
5995380465
021029
-EN/SERVICE /KC
361

**ELECTRIC
DRYER**

**Model No.
GLER642A**

©2002 Electrolux Home Products, Inc.
All rights reserved

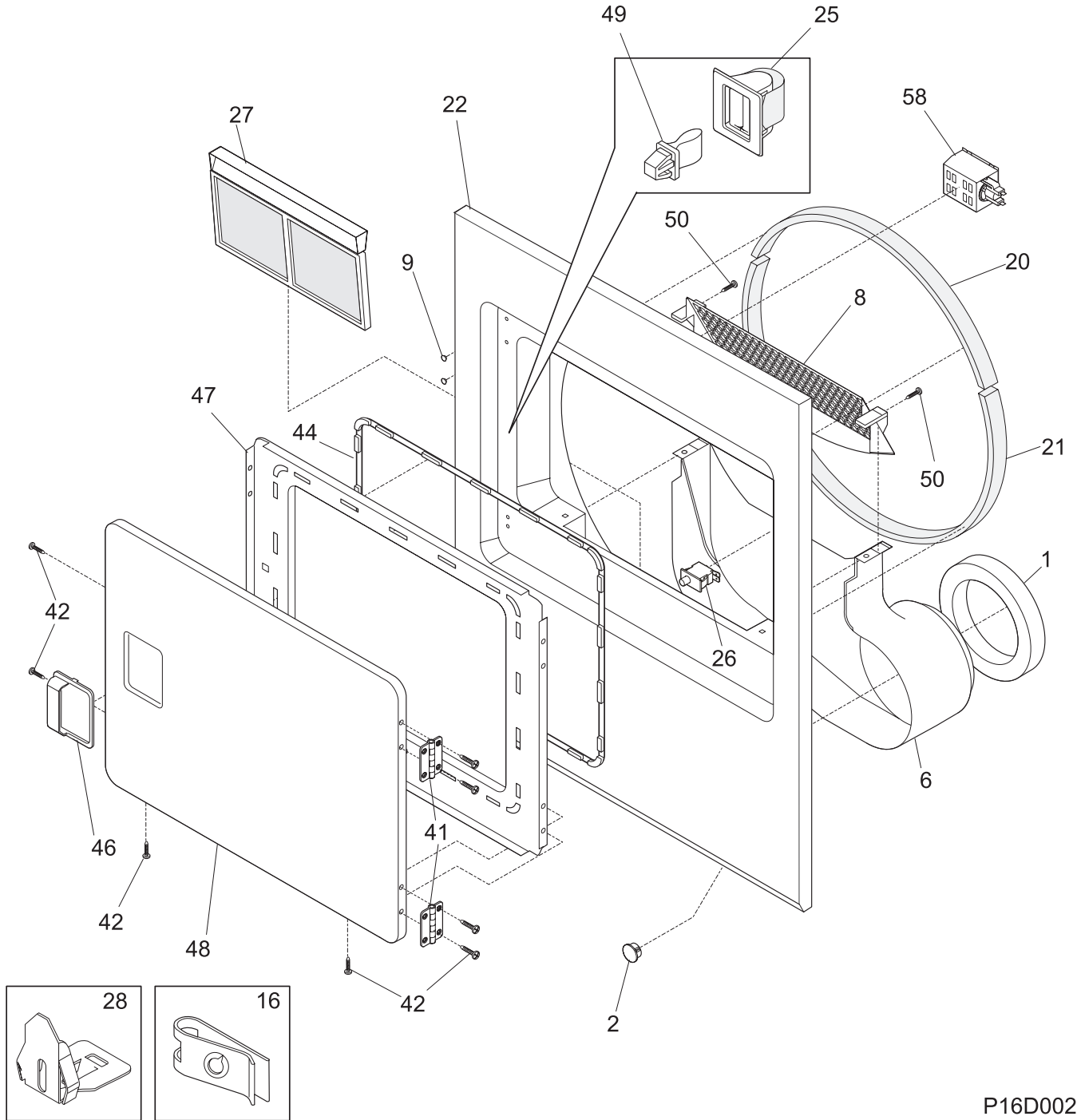
CABINET/DRUM



CABINET/DRUM

POS. NO	PART NO	DESCRIPTION
2	131168200	Screw,pan head ,8-18B x 0.31
4	131785200	Bracket,elec power cord ,knock out
5	5303281019	Ball
6	5303281020	Clip,ball ,steel ,flat nut
7	134121200	Rack,drying
9	131793201	Panel,access ,rear
11	5303211428	Cover,terminal block
12	131825900	Bearing,drum support
13	131724300	Bracket,bearing support
14	131205400	Screw,bracket mtg. ,10-16B x 1.375 ,cr/sq drive
15 #	131553900	Heater Assy,w/housing/felt
17	3204254	Baffle,heater shield
18	131477000	Screw,shaft/baffle mt ,10-16AB x 0.375 ,special
19	131205300	Screw,10-16 x 0.750
20	131469100	Bracket,hinge ,rear ,top panel mtg.
21	134122532	Drum,dryer ,galvanized stl. ,21 ,service kit
24	131963900	Glide,drum
25	5303015671	Screw,hex washer head ,8-18 x 0 .375 ,cup point
29	131382300	Screw,quadrex head ,10-14 x 1.00 ,vane mtg.,special
30	5303201200	Vane,straight
32	131777700	Shaft,drum support ,ballhitch
*	5303307893	Lubricant,high temp
33 #	3204267	Thermostat,safety
34	131243700	Screw,pan head ,8-18AB x 0.375 ,cr/sq drive
35	131892100	Screw,6-20B x 0.230
36 #	134120900	Thermal Limiter
42	131209600	Screw,flat head ,8-18AB x 0.44 ,cr/sq drive
44	134158000	Screw,leveling leg
51	131472100	Insulator,heater housing
52 #	134101400	Terminal Block,main
52A	3202786	Terminal Block,heater housing
64	131704600	Clip
* #	5303281153	Rear Bearing Kit,includes 5,6 ,12,13,14,18,32

FRONT PANEL/LINT FILTER

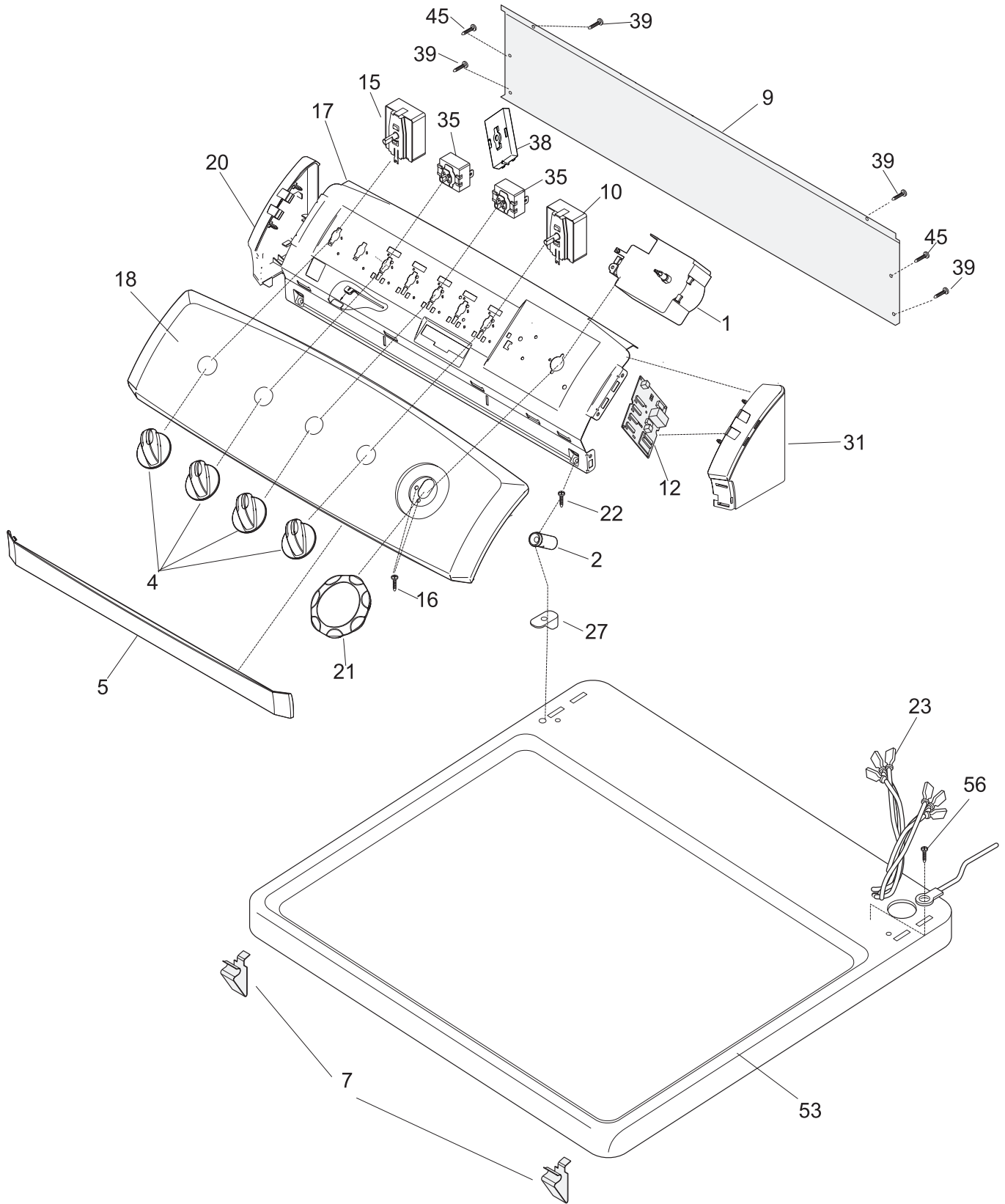


P16D0025

FRONT PANEL/LINT FILTER

POS. NO	PART NO	DESCRIPTION
1	134063300	Seal,air duct
2	131397000	Plug,dome ,white
6	131621900	Duct,air
8 #	131845800	Cover,lint housing ,w/moist sensor
8* #	131846600	• Wiring Harness,sensor & light
9	131633200	Plug,white
16	131063700	Clip,wiring
20	134036400	Seal,felt ,upper
*	5308027429	Adhesive,high temp
21	134134700	Seal,felt ,lower
22	131845912	Panel,front ,white ,w/light hole
25	131658800	Door Catch
26 #	131843101	Switch,door ,with drum light
27	131450300	Trap,lint blade assy
28	5303281074	Clip,guide ,(3)
41	131627500	Hinge,door
42	131209600	Screw,flat head ,8-18AB x 0.44 ,cr/sq drive
44	131129900	Gasket,door seal
46	131644700	Handle,door ,white
47	131844104	Panel,inner door ,white
48	131789303	Panel,outer door ,white
49	5303211430	Door Strike
50	131303300	Screw,pan head lock ,10-16AB x 0.500
58 #	131843500	Lamp Assy,drum light
58*#	131862800	• Lamp
*	131474700	Insulation

CONTROLS/TOP PANEL

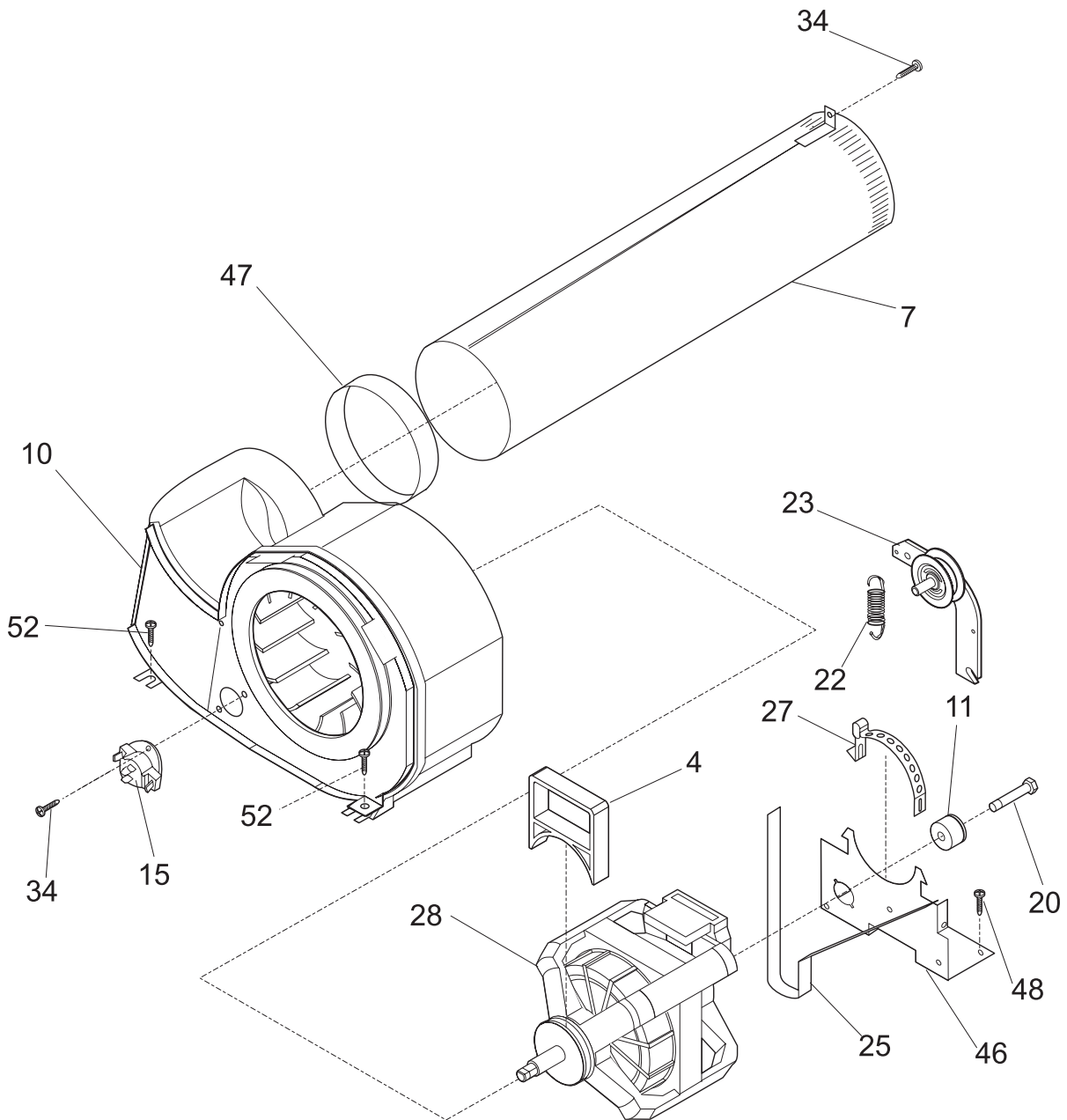


P16C0211

CONTROLS/TOP PANEL

POS. NO	PART NO	DESCRIPTION
1 #	131930600	Timer
2	134096100	Spacer,console mtg
4	134034900	Knob,rotary ,white
5	134019900	Closure,console trim ,front
7	3205821	Clip,top-to-front
9	131992900	Panel,backsheet ,console
10 #	131447800	Switch,start ,turn type
12 #	131620200	Control Board,moisture sensor
15 #	131641900	Switch,temperature ,4 posn rotary
16	134034300	Screw,pan hd phillips ,8-18B x 0.250
17	131993010	Bracket,control mtg.
18	134067400	Panel,trimplate ,white ,console front
20	134019610	End Cap,white ,LH
21	134035500	Knob,timer ,white/gray
22	131266300	Screw,cr oval head ,8-18AB x 1.250 ,black
23 #	134124300	Wiring Harness,main
27	131197000	Clip,console mtg
31	134019600	End Cap,white ,RH
35 #	131243200	Switch,xrinse/temp/bzr ,2 position ,(2)
38 #	131959200	Beeper,continuous ,low tone
39	131168200	Screw,pan head ,8-18B x 0.31
45	131205100	Screw,#8 pan head ,10-10B x 0.500 ,cr/sq drive
53	134086802	Panel,dryer top ,white ,console mtg
56	131243800	Screw,pan hd locking ,8-32CA x 0.375 ,brkt-to-top pnl

MOTOR



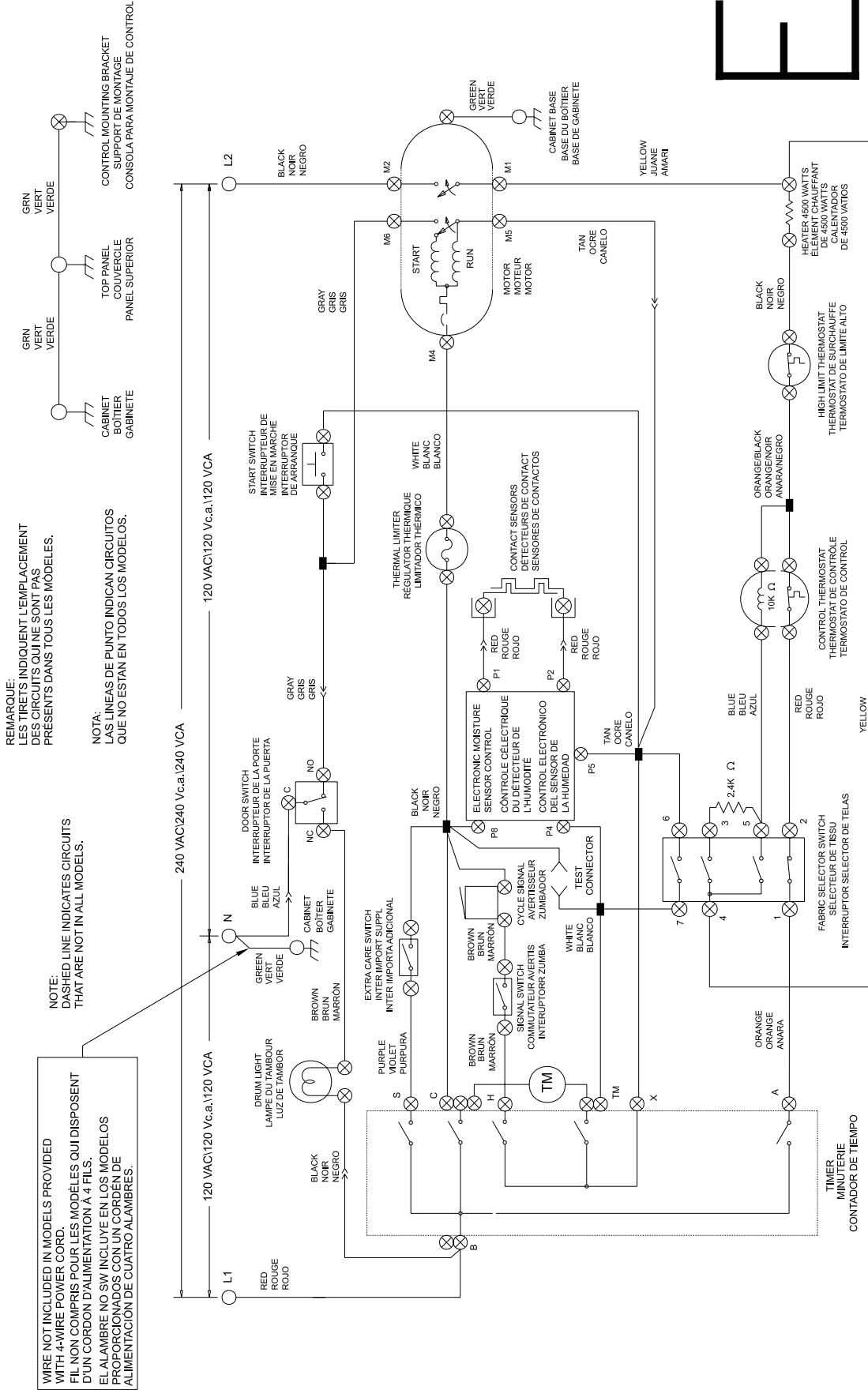
P16M0024

MOTOR

POS. NO	PART NO	DESCRIPTION
4	131435200	Lock,blower housing
7	131451600	Tube,exhaust ,rear ,w/mtg bracket
7*	131456800	Tube,exhaust ,side/bottom ,Optional Kit
10 #	131775600	Housing,blower assy ,cover & wheel
11	131749800	Spacer,idler
15 #	134048800	Thermostat,control
20	131017900	Screw,hex head ,1/4-20T x 1.25 ,spacer mtg.,thread cutting
22	131601000	Spring,idler arm
23 #	131863000	Idler Arm
25 #	134163400	Belt
27	131419800	Clamp,motor mtg.
28 #	131560100	Motor,main drive ,w/pulley
34	131243700	Screw,pan head ,8-18AB x 0.375 ,cr/sq drive
46	131601100	Bracket,motor mtg.
47	131633300	Seal,exhaust tube
48	131168200	Screw,pan head ,8-18B x 0.31
52	131303100	Screw,hex washer head ,10-16AB x 0.625

WIRING DIAGRAM

CAUTION: DISCONNECT ELECTRIC CURRENT BEFORE SERVICING
MISE EN GARDE: METTRE HORS TENSION AVANT D'EFFECTUER TOUTE MESURE D'ENTRETIEN.
PRECAUCION: DESCONECTAR LA CORRIENTE ELECTRICA ANTES DE DAR SERVICIO A LA SECADORA.



REMARQUE:
LES TIRETS INDIQUENT L'EMPLACEMENT
DES CIRCUITS QUI NE SONT PAS
PRESENTS DANS TOUS LES MODELES.

NOTA:
LAS LINEAS DE PUNTO INDICAN CIRCUITOS
QUE NO ESTAN EN TODOS LOS MODELOS.

WIRE NOT INCLUDED IN MODELS PROVIDED
WITH 4-WIRE POWER CORD.
FIL NON COMPRIS POUR LES MODELES QUI DISPOSENT
D'UN CORDON D'ALIMENTATION A 4 FILS.
EL ALAMBRE NO SW INCLUYE EN LOS MODELOS
PROPORCIONADOS CON UN CORDEN DE
ALIMENTACION DE CUATRO ALAMBRES.

NOTE:
DASHED LINE INDICATES CIRCUITS
THAT ARE NOT IN ALL MODELS.

WIRING DIAGRAM
SCHEMA DE CABLAGE
DIAGRAMA DE CONEXIONES
134067000



WIRING DIAGRAM

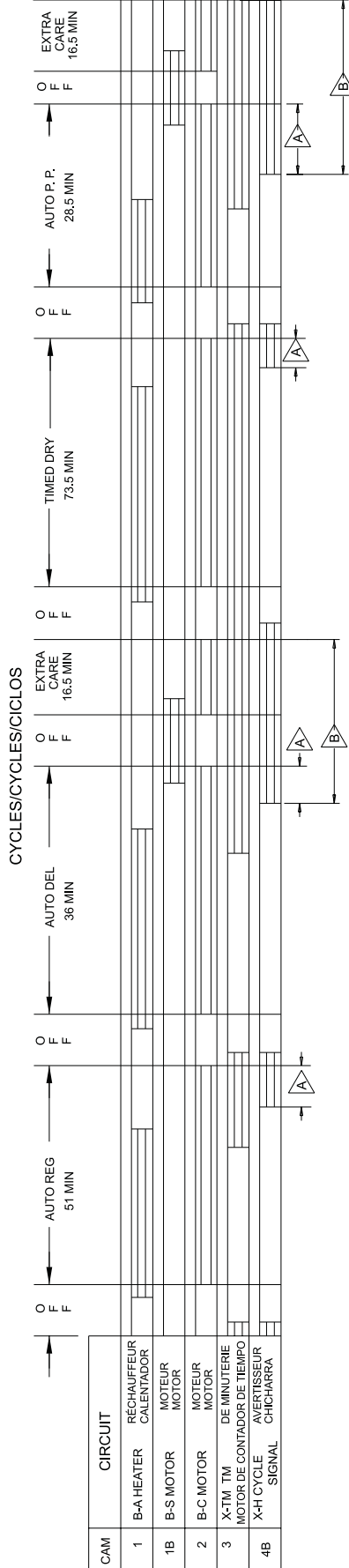
FABRIC SELECTOR SWITCH BOUTON DE SELECTION DU TISSU INTERRUPTOR SELECTOR DE TELAS		CIRCUIT CIRCUITO	
FUNCTION REGULAR	1-2	4-3	4-5
REGULIER	X	X	
MOYEN	X	X	X
FAIBLE	X	X	X
DUVETAGE	X		X
ESPONNADO CON AIRE			X

- NOTAS:
- TODAS LAS INSTALACIONES ALAMBRICAS DEBEN CUMPLIR CON LOS CODIGOS ELECTRICOS LOCALES.
 - CONECTAR LA SECADORA A UN CIRCUITO DE RAMAL INDIVIDUAL DE 30 AMPERIOS.
 - EL CRONIZADOR SE MUESTRA EN POSICION APAGADO. EL INTERRUPTOR DE LA PUERTA CERRADO. EL MOTOR EN REPOSE. EL TERMOSTATO CERRADO Y EL INTERRUPTOR SELECTOR DE TELAS EN REGULAR.

- REMARQUES:
- TOUT LE CÂBLAGE DOIT RESPECTER LES CODES DE L'ÉLECTRICITÉ LOCAUX.
 - BRANCHER LA SÉCHEUSE À UNE DÉRIVATION DISTINCTE DE 30 AMPÈRES.
 - MINUTERIE ILLUSTRÉE EN POSITION FERMÉE. INTERRUPTEUR DE LA PORTE FERMÉE. MOTEUR ARRÊTÉ. THERMOSTAT FERMARRÊTÉ ET BOUTON DE SÉLECTION DU TISSU SUR RÉGULIER.

- NOTES:
- ALL WIRING MUST CONFORM TO LOCAL ELECTRICAL CODES.
 - CONNECT DRYER TO A 30 AMP INDIVIDUAL BRANCH CIRCUIT.
 - TIMER SHOWN IN OFF POSITION, DOOR SWITCH CLOSED, MOTOR AT REST, THERMOSTAT CLOSED AND FABRIC SELECTOR SWITCH AT REGULAR.

WIRING CODES	CODES DE CÂBLAGE	CODIGOS DE ALAMBRADOS
⊗ QUICK DISCONNECT TERMINAL CONNECTION	BORNE À DBORNE ÉBRANCHÉMENT RAPIDE CONNEXION	TERMINAL DE DESCONEXION RAPIDA CONEXION
⊕ NO CONNECTION	AUCUNE CONNEXION	SIN CONEXION
⊖ MOTOR SWITCH	INTERRUPTEUR DU MOTEUR	INTERRUPTOR DEL MOTOR
⊕-⊖ SPLICE	ÉPISSURE	EMPALME
⊕-⊖ MOTOR PROTECTOR	PROTECTEUR DU MOTEUR	PROTECTOR DEL MOTOR
⊕-⊖ CHASSIS (CABINET) GROUND	MISE À LA TERRE DU BOMISE TIËR	PUESTAA TIERRA DEL CHASIS (GABINETE)
⊕ SCREW TERMINAL	BORNE À VIS	BORNE DE TORNILLO
⊕-⊖ HARNES CONNECTOR TERMINAL	BORNE À CONNECTEUR DE HARNAS	TERMINAL CONECTOR DE CONEXIONADO
⊕ INSULATED TERMINAL	BORNE OSOLÉE	TERMINAL AISLADO



BAR CHART ABOVE REPRESENTS ONE COMPLETE REVOLUTION OF TIMER SHAFT.

SHADED PORTION OF BAR CHART INDICATES THE PROPORTIONAL TIMES THAT INTERNAL TIMER CONTACTS ARE CLOSED.

A PULSAR CAM, LOCATED NEXT TO THE BUZZER CAM AND ROTATING AT 12 REVOLUTIONS PER HOUR, ALLOWS CIRCUITS "X-H" TO CLOSE FOR 5 SECONDS (±3 SECONDS).

A 1 OR 2 TIMES IN THIS AREA

B 5 TO 7 TIMES IN THIS AREA

LE DIAGRAMME SUR LA GAUCHE REPRÉSENTE UNE ROTATION COMPLÈTE DE L'ARBRE DE LA MINUTERIE.

LA PARTIE OMBRÉE DU DIAGRAMME INDIQUE LE TEMPS RELATIF PENDANT LEQUEL LES CONTACTS INTERNES DE LA MINUTERIE SONT FERMÉS.

UNE CAME D'IMPULSION SITUÉE À CÔTÉ DE LA CAME DE L'AVERTISSEUR ET TOURNANT À RAISON DE 12 TOURS À L'HEURE PERMET AU CIRCUIT «X-H» DE SE FERMER PENDANT 5 SECONDES (±3 SECONDES).

A 1 OU 2 FOIS DANS CETTE SECTION

B DE 5 À 7 FOIS DANS CETTE SECTION

EL GRAFICO DE BARRAS DE LA IZQUIERDA REPRESENTA UNA REVOLUCION COMPLETA DEL EJE DEL CRONIZADOR.

LA PORCION SOMBRADA DEL GRAFICO DE BARRAS INDICA LOS TIEMPOS PROPORCIONALES QUE LOS CONTACTOS INTERNOS DEL CRONIZADOR ESTAN CERRADOS.

UNA LEVA GENERADORA DE IMPULSIONES, UBICADA JUNTO A LA LEVA DEL ZUMBADOR Y GIRANDO A 12 REVOLUCIONES POR HORA, PERMITE QUE EL CIRCUITO "X-H" SE CIERRE DURANTE 5 SEGUNDOS (±3 SEGUNDOS).

A 1 O 2 VECES EN ESTA AREA

B 5 A 7 VECES EN ESTA AREA

WIRING DIAGRAM
SCHEMA DE CABLAGE
DIAGRAMA DE CONEXIONES
134067000