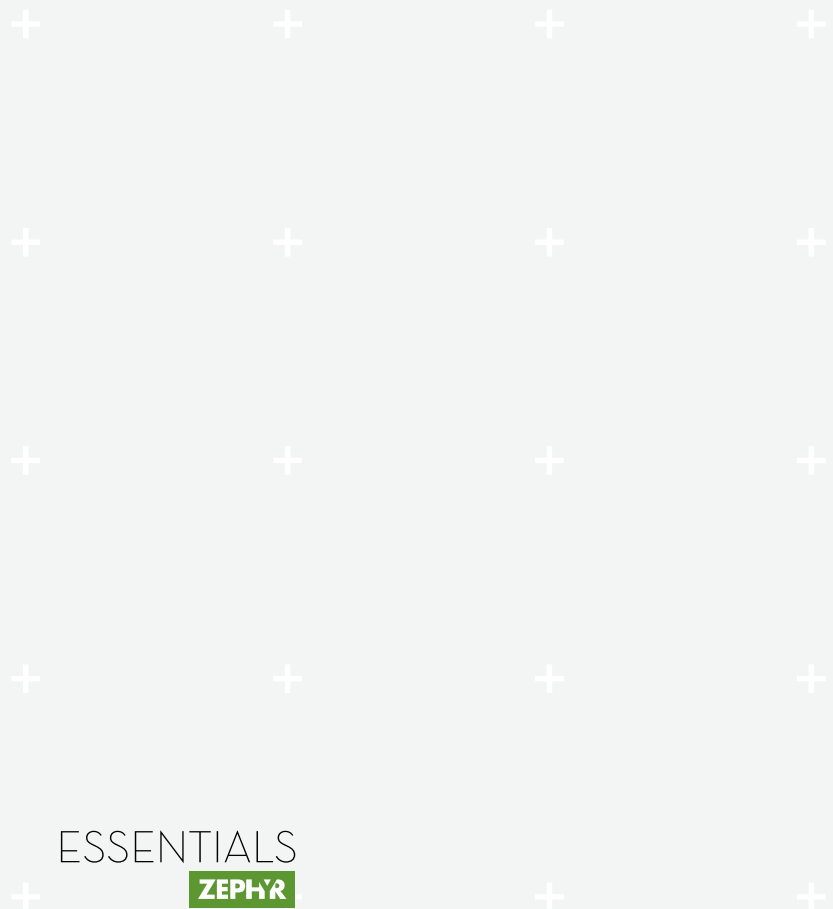
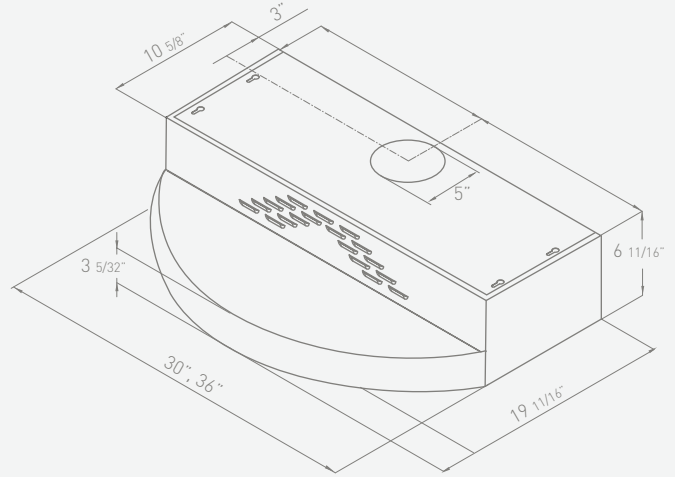


## TAMBURO

With Tamburo, we've thrown a major curve to the typical under-cabinet configuration, with a fresh approach that's designed to fit your life. This true original also offers halogen lighting, three speeds and an adjustable utensil bar to keep all of your larger cooking utensils right where you want them—above the cooking surface.



# ESSENTIALS



## TAMBURO

UNDER CABINET

	MODEL	ZTA-E30S	ZTA-E36S
	<b>SIZE</b>	30"	36"
	<b>NET WIDTH</b>	30"	36"
	<b>PERFORMANCE</b>		
	Internal Blower	400 CFM	400 CFM
	Internal Blower Sones	5	5
	<b>COLOR</b>		
	Stainless Steel	SS	SS
	<b>FEATURES</b>		
	Controls	Mechanical Slide	Mechanical Slide
	Speed Levels	3	3
	Delay Off	No	No
	Lighting	Halogen, 50W x 2	Halogen, 50W x 2
	Dual Level Lighting	No	No
	Filters	Metal Mesh x 2	Metal Mesh x 3
	Recirculating	Yes	Yes
	Duct Cover Extension	NA	NA
	Adjustable Utensil Bar	Yes	Yes
	<b>DUCT SPECIFICATIONS</b>		
	Internal Blower - Vertical	5"	5"
	Internal Blower - Horizontal	3-1/4" x 10"	3-1/4" x 10"
	<b>AC INPUT</b>	120V - 60Hz	120V - 60Hz
	<b>AC POWER</b>	Max. 600W at 5.1 Amps	Max. 600W at 5.1 Amps
	<b>OPTIONAL ACCESSORIES</b>		
	Recirculating Kit	ZRC-0002	ZRC-0003
	<b>Mounting Heights</b>	Min. height 28" from cooking surface. Hood mounted 64" from floor.	Max. height 36" from cooking surface. Hood mounted 72" from floor.

