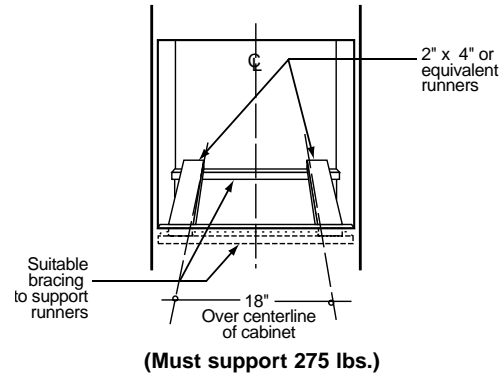
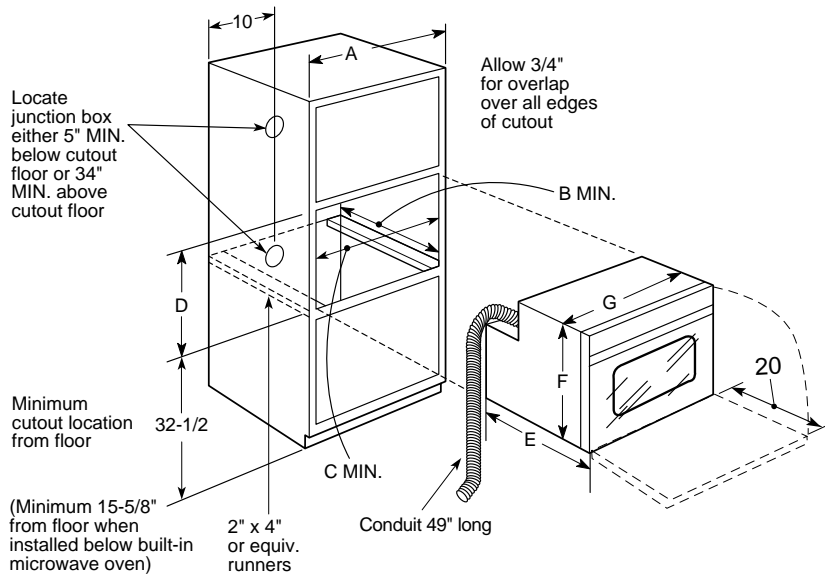




GE Appliances

JKS06BFBB – GE 27" Built-In Single Oven

Dimensions (in inches)



Note: These ovens are *not* approved for stackable or side-by-side installations.

Note: These ovens can be installed side-by-side with no less than 30" distance between center-to-center of each oven.

Note: Cabinets installed adjacent to wall ovens must have an adhesion spec of at least a 194°F temperature rating.

Note: For 27" built-in single ovens, if marks, blemishes or the cutout opening is visible above the installed oven, it may be necessary to add wood shims under the runners and front trim until the marks or openings are covered.

Cabinet	27"
A – Cabinet Width Required	27" min.
B – Minimum Cabinet Depth	23-5/8"
C – Opening Width	25" min. - 25-1/4 max.
D – Opening Height	27-5/8" min. - 28-1/8 max.
Oven	
F – Overall Depth	23-5/8"
	w/o trim 28-1/4"
G – Overall Height with trim	29"
H – Overall Width	26-5/8"

Installation Information: Before installing, consult installation instructions packed with product for current dimensional data.

KW Rating	
240V	3.4
208V	2.6
Breaker Size	
240V	20 Amps
208V	20 Amps



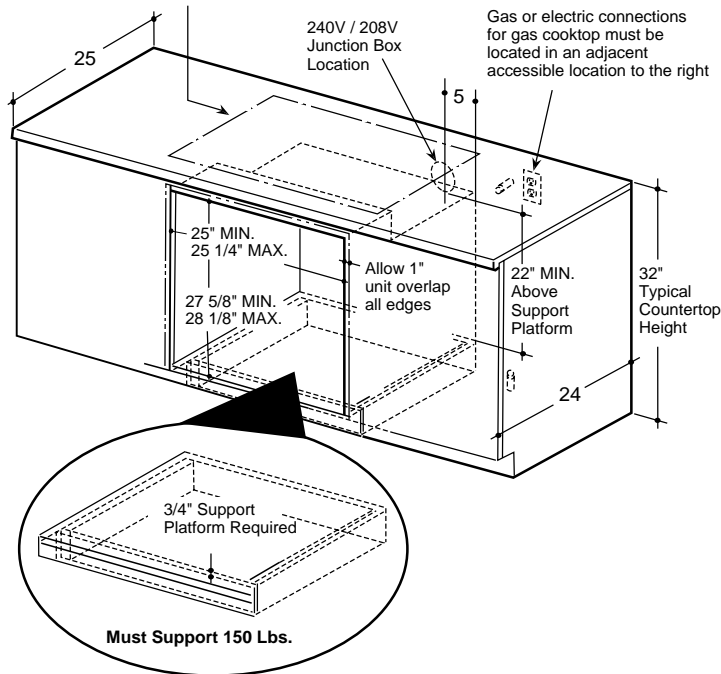


GE Appliances

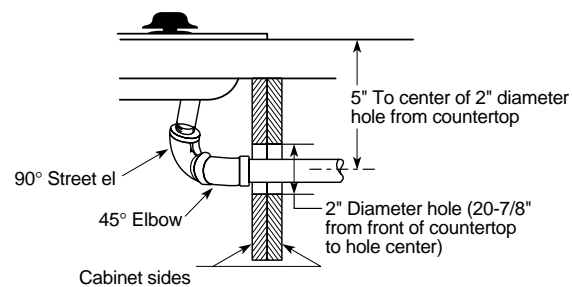
JKS06BFBB – GE 27" Built-In Single Oven

Undercounter Installation Dimensions (in inches)

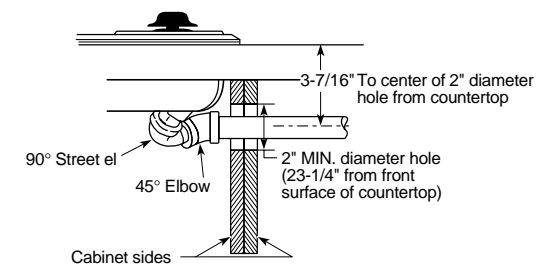
Gas or electric cooktops may be installed over this oven. See cooktop installation instructions for cutout size. See label on top of oven for approved cooktop models.



Sealed Burner Gas Cooktop Installation Dimensions (in inches)



Standard Burner Gas Cooktop Installation Dimensions (in inches)



Note: Cabinets installed adjacent to wall ovens must have an adhesion spec of at least a 194°F temperature rating.

Electric wall ovens are not approved for installation with a plug and receptacle. They must be hard wired in accordance with installation instructions.

Note: Oven is rated for use only under 30" standard or sealed burner gas and selected 30" CleanDesign and Calrod® electric cooktops.

Installation Information: Before installing, consult installation instructions packed with product for current dimensional data.

Specification Created 7/02

For answers to your Monogram®, GE Profile™ or GE appliance questions, visit our website at GEAppliances.com or call GE Answer Center® service, 800.626.2000.



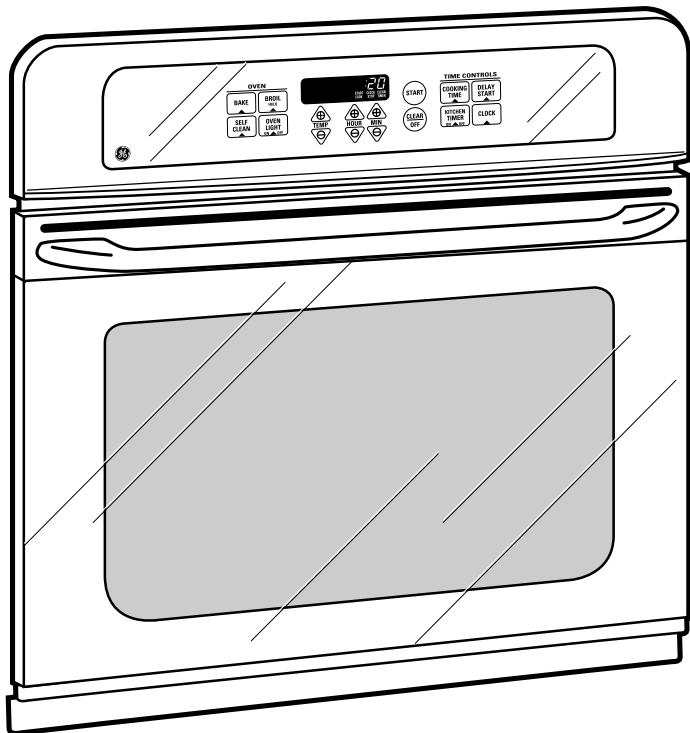
Listed by Underwriters Laboratories





GE Appliances

JKS06BFBB – GE 27" Built-In Single Oven



Features and Benefits

- TrueTemp™ System
- Extra-Large 3.9 cu. ft. Capacity Standard-Clean Oven
- SmartSet Electronic Oven Controls
- Certified Sabbath Mode
- Delay Bake Option
- 2 Oven Racks with 4 Embossed Positions
- Audible Preheat Signal and Interior Oven Light
- True Frameless Glass Oven Door with Big ClearView™ Window
- Installation Flexibility
- Model JKS06BFBB – Black on black