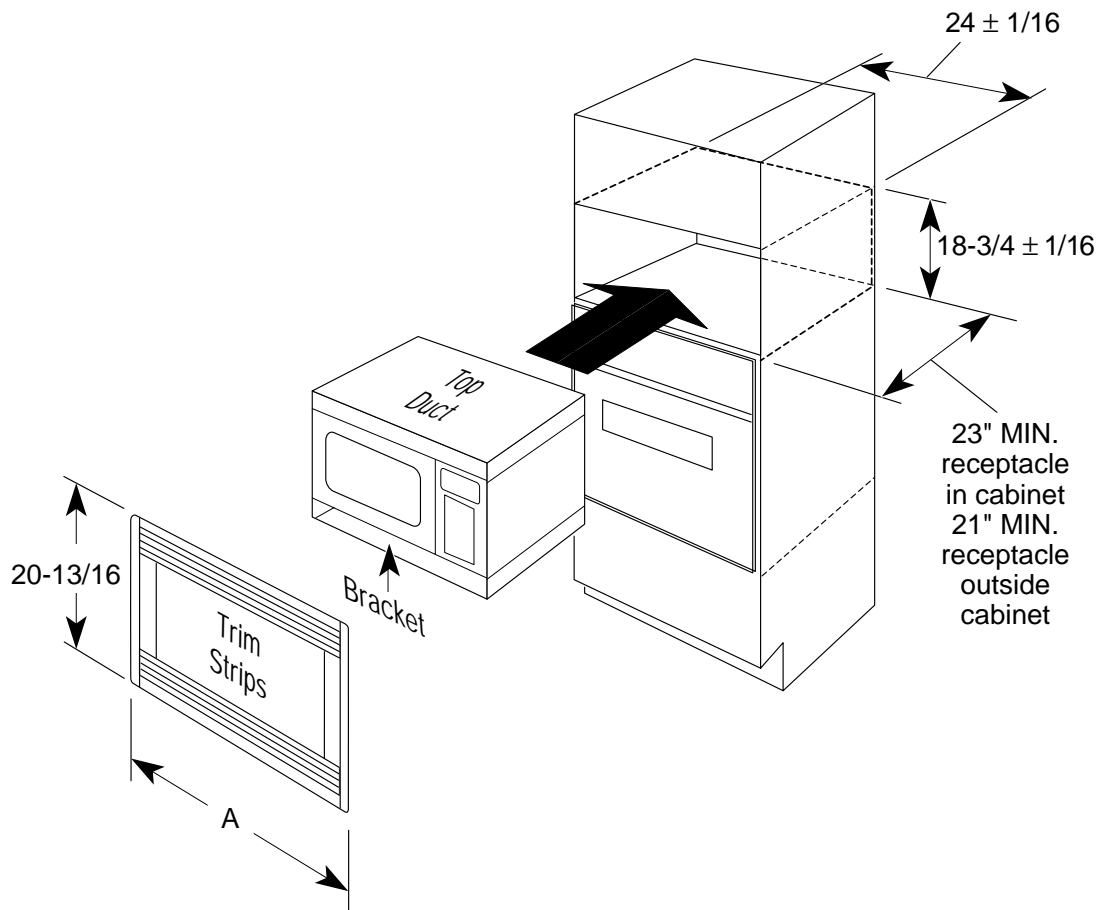




Profile™

## JE1590BH/CH/SH/WH – GE Profile™ Countertop Convection/Microwave Oven

Dimensions (in inches)



Exterior Dimensions (in inches)	
W x H x D	22-5/8 x 14-7/8 x 19-7/8

Accessory Trim Kits	"A"	Trim Kits
30" Deluxe	29-3/4"	JX1530CWH/CBH/CCH/CSH
27" Deluxe	26-3/4"	JX1527CWH/CBH/CCH/CSH

**Note:** 120V, 60-cycle, grounded power receptacle location optional on back within cabinet opening.

**Installation Information:** This information is not intended to be used for installing unit described. Before installing, consult installation instructions packed with product/kit for current dimensional data.

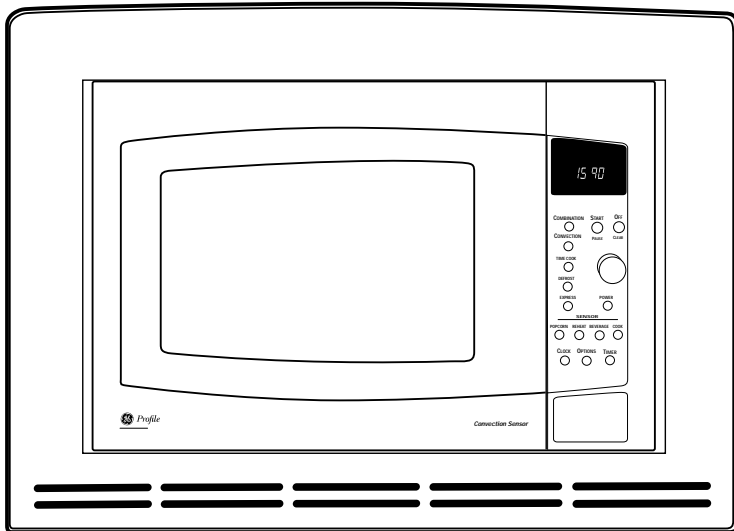


For answers to your Monogram®, GE Profile™ or GE® appliance questions, visit our website at [GEAppliances.com](http://GEAppliances.com) or call GE Answer Center® service, 800.626.2000.



Profile™

## JE1590BH/CH/SH/WH – GE Profile™ Countertop Convection/Microwave Oven



Model shown with trim kit installed.

### Features and Benefits

- 1.5 cu. ft. capacity – 1000 Watts (IEC-705 test procedure)
- Convection cooking – Produces flavorful beautifully browned results.
- Control dial – Allows quick, easy adjustment of time and temperature settings.
- Sensor cooking controls – Automatically adjust the time and power for perfect cooking results.
- Optional trim kit - Offers a built-in appearance of a countertop model.
- Removable oven rack – Makes multi-dish cooking possible.
- Turntable – Continually rotates food to ensure even cooking.
- Auto/Time Defrost – Automatically defrosts for a specified amount of time.
- Two-line bilingual scrolling display – Provides helpful cooking tips and oven-use instructions in easy-to-read English or Spanish.
- Child lock out – Enables you to lock the keypad to prevent the oven from being accidentally started.
- Model JE1590WH – White on white
- Model JE1590BH – Black on black
- Model JE1590CH – Bisque on bisque
- Model JE1590SH – Stainless steel