



Room Air Conditioner Installation Instructions

NOTE:

This manual includes installation instructions for window mount and thru-the-wall mount methods. TwinTemp® heat/cool units are designed for permanent thru-the-wall installation. Mounting the unit in a window will require a window mounting accessory kit, available through your Friedrich dealer.

READ THIS FIRST! ELECTRICAL REQUIREMENTS

IMPORTANT: Before you begin the actual installation of your air conditioner, check local electrical codes and the information below.

Your air conditioner must be connected to a power supply with the same A.C. voltage and hertz as marked on the data plate located on the chassis. Only alternating current (A.C.), can be used. Direct Current (D.C.) cannot be used. Consult your "OPERATING GUIDE" for the correct type of receptacle for your model.

CIRCUIT PROTECTION - USE ON SINGLE OUTLET CIRCUIT ONLY unless all amp values on the nameplate are 7.5 or less. An overloaded circuit will invariably cause malfunction or failure of an air conditioner, therefore, it is necessary that the electrical protection is adequate. Due to momentary high current demand when your air conditioner is started, use a "TIME DELAY" fuse or a HACR circuit breaker. Consult your dealer or power company if in doubt.

Refer to the electrical data plate located on the air conditioner chassis to determine the correct fuse or circuit breaker amperage for your model (See Figure E on Page 12 for electrical receptacle location).

The power cord has a plug with a grounding prong of approved type and a matching receptacle is required. **NEVER CUT OR REMOVE THE GROUNDING PRONG FROM THE PLUG.**

NEVER USE EXTENSION CORDS TO OPERATE AN AIR CONDITIONER.

The following instructions are for standard chassis model groups distinguished by the first two letters of the model designations and cabinet sizes listed below.

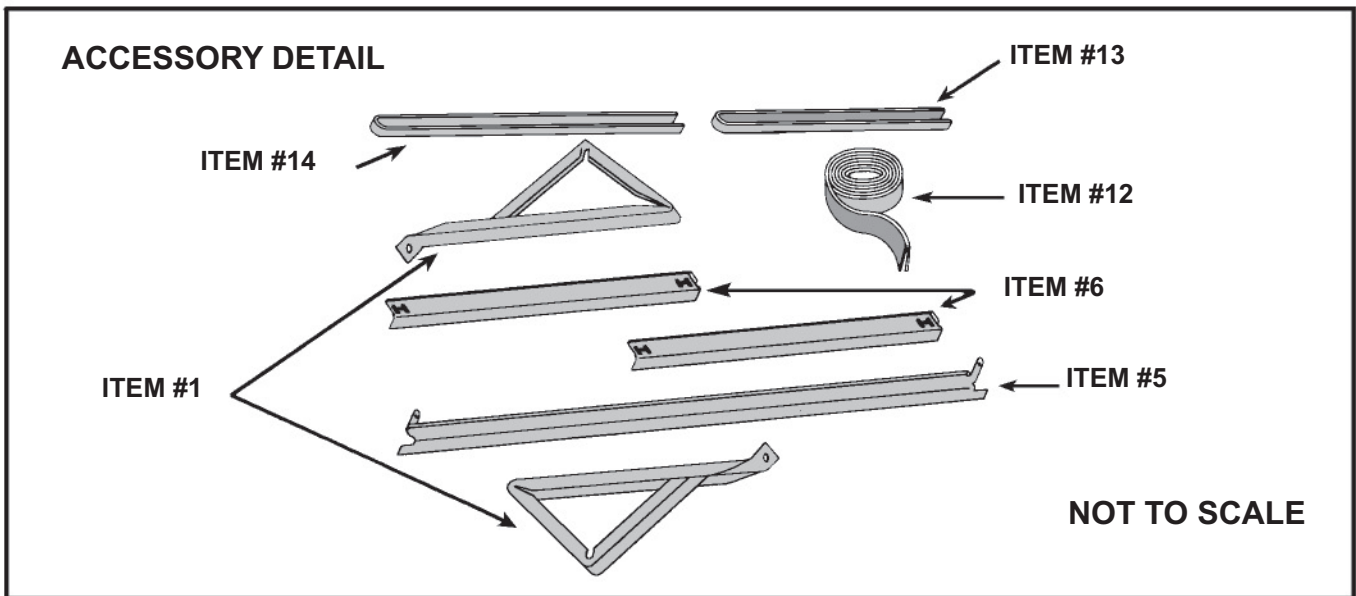
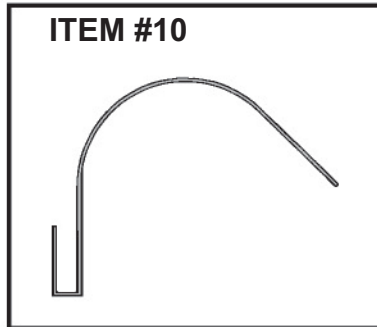
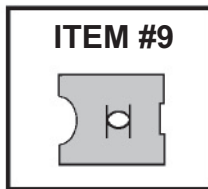
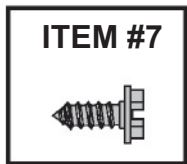
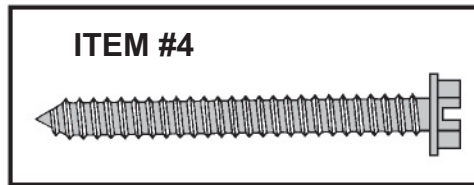
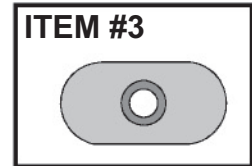
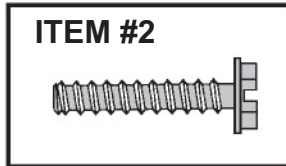
GROUPS	CABINET SIZE (H x W x D)
SMALL CHASSIS - SS, ES, YS, KS, RS	15 15/16" x 25 15/16" x 27 3/8" (405 mm x 660 mm x 695 mm)
MEDIUM CHASSIS - SM, EM, YM, KM, RM	17 15/16" x 25 15/16" x 27 3/8" (455 mm x 660 mm x 695 mm)
LARGE CHASSIS - SL, EL, YL	20 3/16" x 28" x 33 5/8" (513 mm x 711 mm x 854 mm)

**WINDOW MOUNT
INSTALLATION HARDWARE**

ITEM NO.	DESCRIPTION	QTY.
SHELL MOUNTING PARTS		
1	SUPPORT BRACKET	2
2	SCREW, 10-24 x 1" HEX HEAD	4
3	10-24 FLAT WELDNUT	4
4	SCREW, SHEET METAL #12A x 2"	7
WINGBOARD ANGLE MOUNTING		
5	WINGBOARD ANGLE, TOP	1
6	WINGBOARD ANGLE, SIDE	2
7	SCREW, SHEET METAL #8A x 3/8"	2
WINGBOARD MOUNTING PARTS		
8	WINGBOARD (MASONITE) - (NOT SHOWN)	1
9	"J" TYPE SPEEDNUT	4
10	WINGBOARD CLIP (SPRING STEEL)	4
11	SCREW, #8A x 1/2" PHILLIPS TRUSS HD.	4
WINDOW SEALING		
12	SEALING GASKET (VINYL)	1
13	WINDOW SEAL GASKET (DARK FOAM)	1
14	CHASSIS SEAL GASKET (LIGHT FOAM)	1

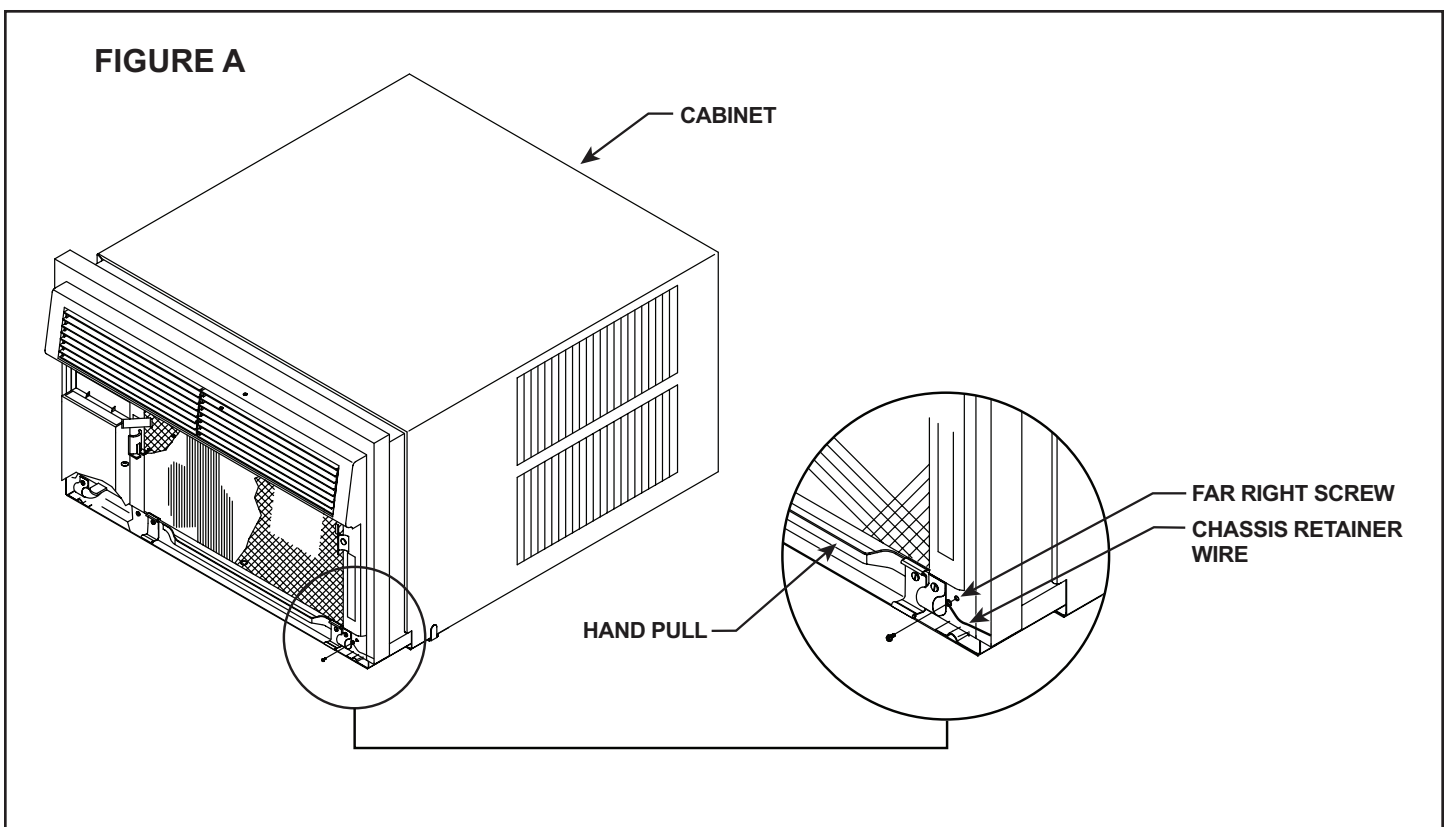
**THRU-THE-WALL
INSTALLATION HARDWARE**

ITEM NO.	DESCRIPTION	QTY.
MOUNTING PARTS		
4	SCREW, SHEET METAL #12A x 2"	7
14	CHASSIS SEAL GASKET (LIGHT FOAM)	1



STANDARD SASH WINDOW INSTALLATIONS

- STEP 1** Remove decorative plastic return air grille to a safe area away from unit. The return air grille can be removed by pulling at the sides on either the top or bottom.
- STEP 2** Also remove the installation hardware to a safe area away from the unit.
- STEP 3** Remove the chassis retainer by removing the far right screw in the basepan (see Figure A); save this screw to reattach the chassis retainer after installation (Step 15). Also, remove and discard the two retainer screws and plastic bushings located at the rear of the unit.
- STEP 4** While an assistant holds the cabinet stationary, use the hand pull at the front of the base pan (see Figure A) to pull the chassis out of the cabinet. Remove white foam blocks used to restrain the compressor during shipment. Inspect basepan for dislodged white blocks, and remove. Do not remove any other foam.



- STEP 5** Anchor the side angles (Item #6) by engaging the tabs at each end of the sill plate (see Figure B, Page 4) with the bottom loops of the side angle. Engage the tabs at each end of the top angle (Item #5) with the top loops of the side angle (see Figure B, Page 4). Install two (2) screws (Item #7) to secure the top angle tabs and the side angle to the cabinet (see Figure B, Page 4).
- STEP 6** Check the window sill and frame to be sure they are in good condition and firmly anchored to the wall. Repair if necessary.
- STEP 7** **CABINET MOUNTING** – Raise the lower sash window $\frac{1}{4}$ " more than the height of the cabinet. Carefully slide the cabinet through the open window until the sill plate channel rests behind the window sill and the top support rests against the window (see Figure C, Page 4.) Center side to side and drill three (3) $\frac{5}{32}$ " dia. pilot holes into the window sill using the holes in the cabinet sill plate as a guide. Install three (3) #12A x 2" long screws (Item #4), see Figure C, Page 4.

FIGURE B

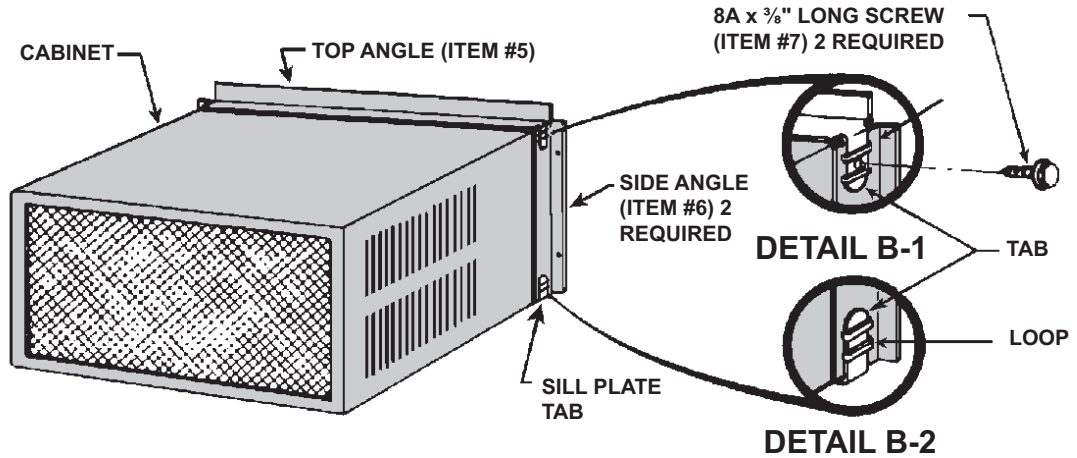


FIGURE C

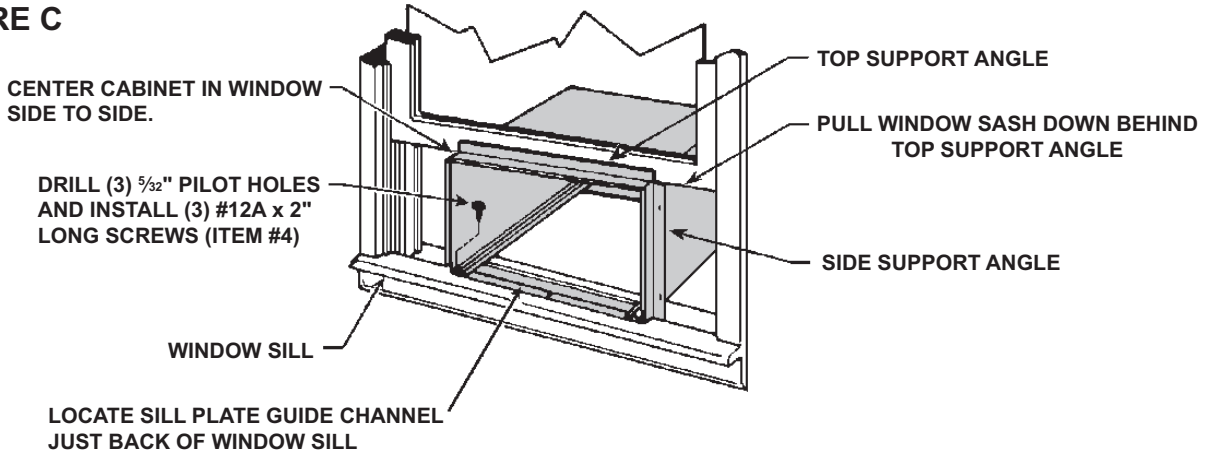
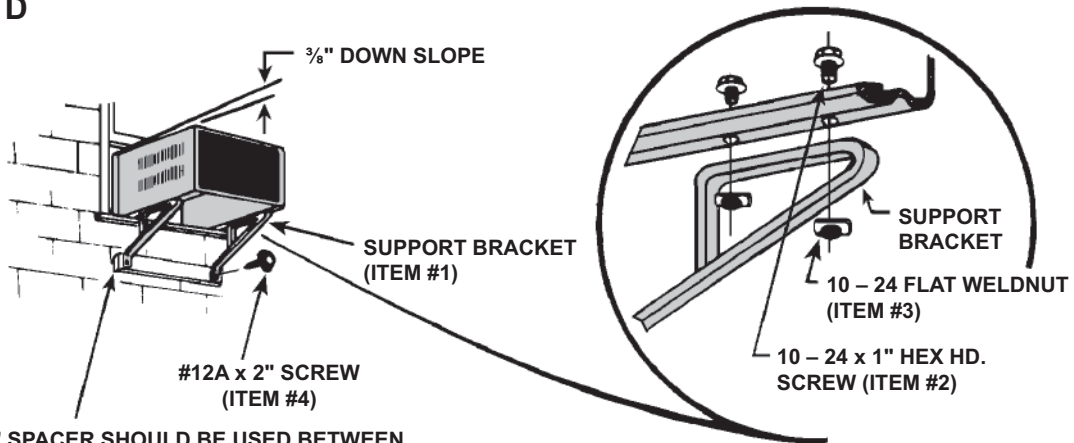


FIGURE D



1" x 4" OR 2" x 4" SPACER SHOULD BE USED BETWEEN WALL AND BRACKET WHEN INSTALLED ON ALUMINUM, ASBESTOS OR VINYL SIDING

STEP 8 OUTSIDE SUPPORT MOUNTING – Assemble the support brackets (Item #1) to the bottom rails of the cabinet with four (4) 10-24 1" long screws (Item #2) and four (4) 10-24 flat nuts (Item #3). Adjust the support brackets to bring the bottom pads in contact with the wall surface. (A 1" x 4" or 2" x 4" SPACER SHOULD BE USED BETWEEN THE WALL AND THE SUPPORT BRACKETS WHEN INSTALLED ON ALUMINUM OR VINYL SIDING). Drill $\frac{5}{32}$ " dia. pilot holes and secure the brackets to the wall with two (2) #12A x 2" long screws (Item #4). Adjust the support brackets to provide an approximate $\frac{3}{8}$ " down slope toward the outside for drainage. (See Figure D, Page 4). Tighten all screws.

NOTE: The supply air, intake air, condenser air inlets and outlets must be unobstructed to avoid recirculation of rejected heated air.

The illustrations below show a standard frame construction installation as well as some suggested ways of adapting the support bracket to thick walls and large stone ledges.

FIGURE 1

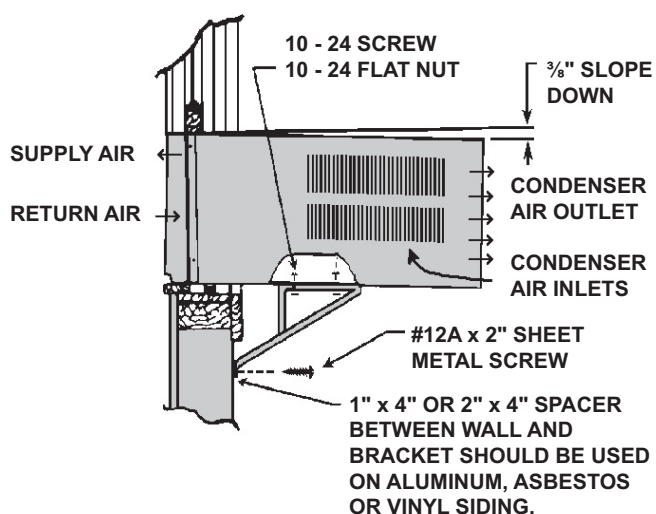


FIGURE 2

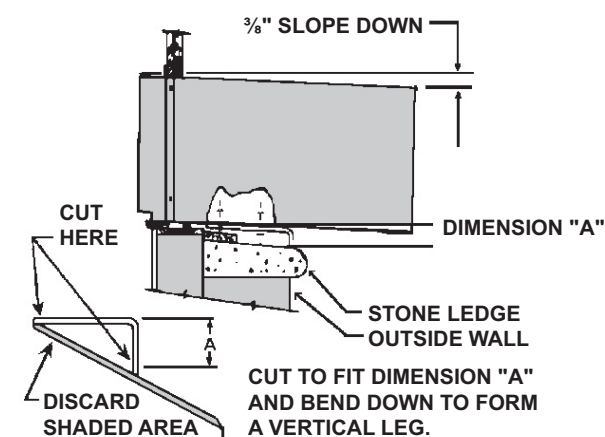


FIGURE 3

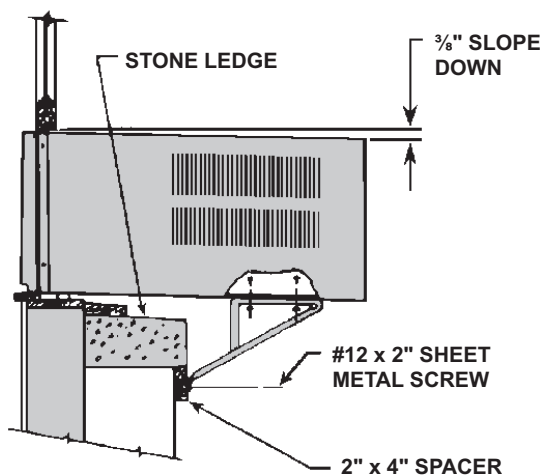


FIGURE 4

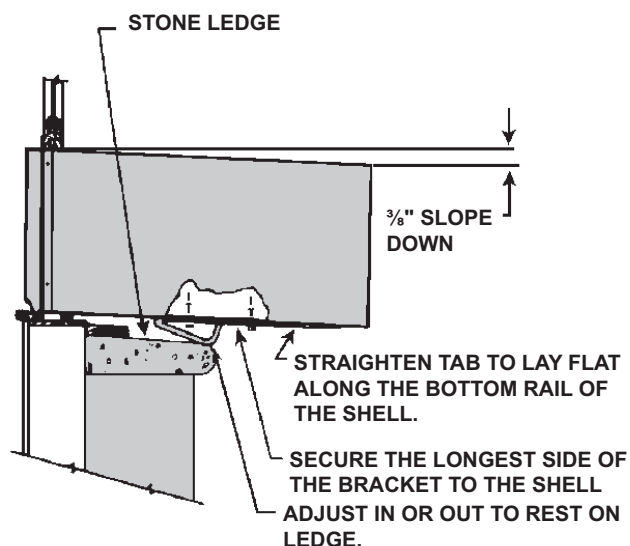
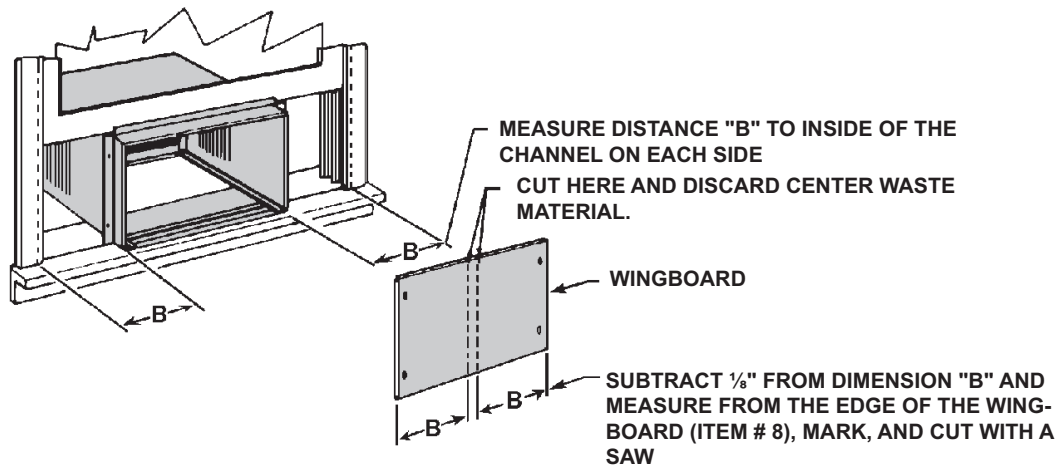
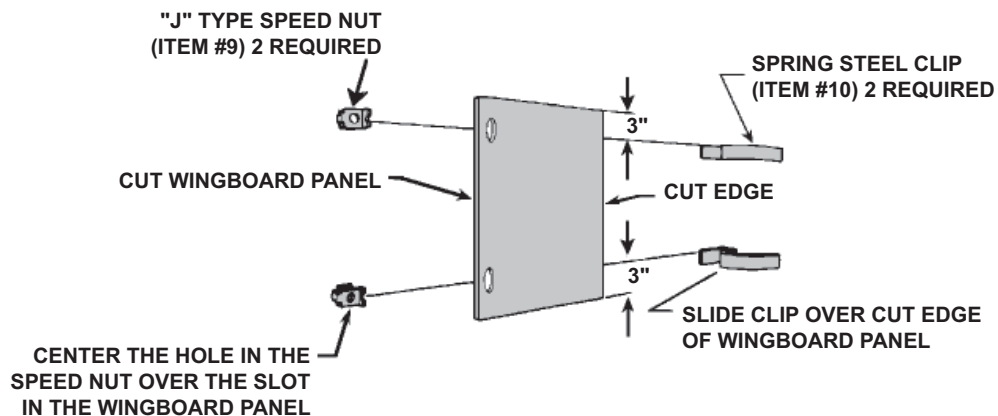


FIGURE E

STEP 9 CUT WINGBOARD PANELS – Measure and cut the wingboard panels from the Masonite supplied (Item #8) to fit the spaces between the side window channels and the sides of the cabinet.
(See Figure E.)

NOTE: AFTER CUTTING THE PANELS, MAKE A TRIAL TEST TO SEE IF THEY FIT THE SPACE WITH ABOUT $\frac{1}{8}$ " CLEARANCE BEFORE GOING TO STEP 10.

STEP 10 ASSEMBLE THE CLIPS TO THE WINGBOARD PANELS – Assemble the "J" type speed nuts (Item 9) and spring steel clips (Item 10) to the edges of the cut wingboard panels (See Figure F.)

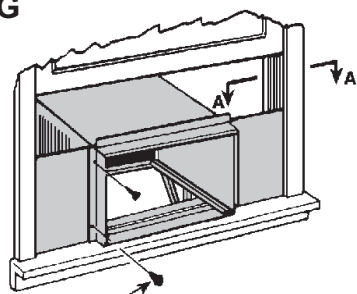
FIGURE F

STEP 11 INSTALL THE SIDE WINGBOARD PANELS – Be sure the cabinet has been secured to the window sill and that the outside support brackets have been installed as shown in Figures C and D on Page 4. Raise the window sash and install the right and left side wingboard panels. (See Figure G, Page 7.)

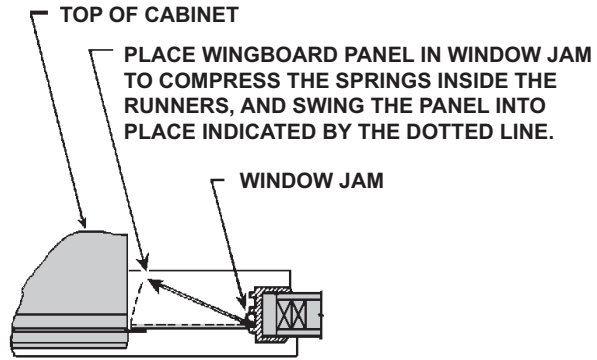
STEP 12 INSTALL THE WINDOW SEALING GASKETS – Measure and cut the vinyl window seal gasket (grey color, Item # 12) to fit the width of the window, and install as shown in Figure H on Page 7. Pull the window sash down behind the gasket. Measure and cut the dark foam window seal gasket (Item #13) and install it between the upper glass panel and the top part of the lower sash. (See Figure H, Page 7.)

NOTE: FOR REASONS OF SECURITY AND SAFETY, THE CUSTOMER MUST PROVIDE A MEANS OF PREVENTING THE WINDOW FROM OPENING.

FIGURE G

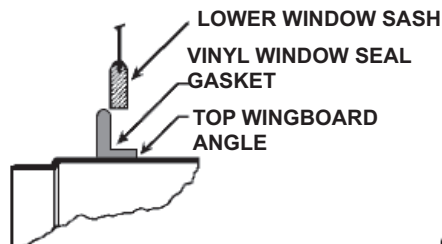


SECURE THE SIDE WINGBOARD PANELS TO THE SIDE ANGLES WITH FOUR (4) #8 x 1/2" LONG SCREWS (ITEM #11), TWO ON EACH SIDE.



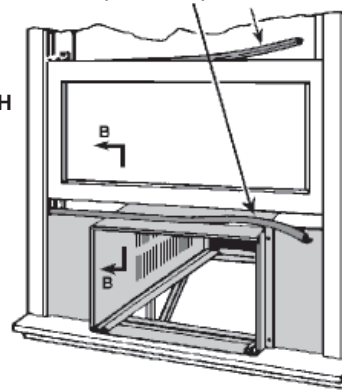
SECTION A - A

FIGURE H



SECTION B - B

VINYL WINDOW SEAL GASKET (ITEM #12) FOAM WINDOW SEAL GASKET (ITEM #13)



STEP 13 When possible, caulk the outside of the installation with industrial type caulking to prevent weather leaks.

STEP 14 **INSTALL CHASSIS:** After installing the shell, slide the chassis into the shell stopping approximately 3" from full insertion. Stuff the chassis seal gasket one inch deep between the chassis and the shell (see Figure I, page 8). Begin at either bottom corner and go up the side, **across the top**, and down the opposite side. Then push the chassis all the way into the shell for the remaining distance so that the plastic front meets the front edge of the shell.

If chassis seal gasket is not installed, the operation of the unit will be negatively affected. Also, the operation noise and outside noise will be amplified.

STEP 15 Reattach the chassis retainer with the same screw as Step 3 (See Figure A, Page 3).

STEP 16 **OPTIONAL:** The factory assembles the supply cord so that it exits the left side of the unit. At the consumer's discretion, the supply cord can be made to exit the right side of the unit. To do this, remove the black rubber coated cord clamp from under the far left screw. (See Fig I, Page 8) Replace this screw back into the far left screw hole. Route the supply cord over the top of the return air grille clips and reattach the clamp to the adjacent screw hole. (Fig I & J, Page 8) Detach the right side cord clamp, route the supply cord through it and reattach. The supply cord should be pulled taut so as not to rest on the return air grille clips.

FIGURE I

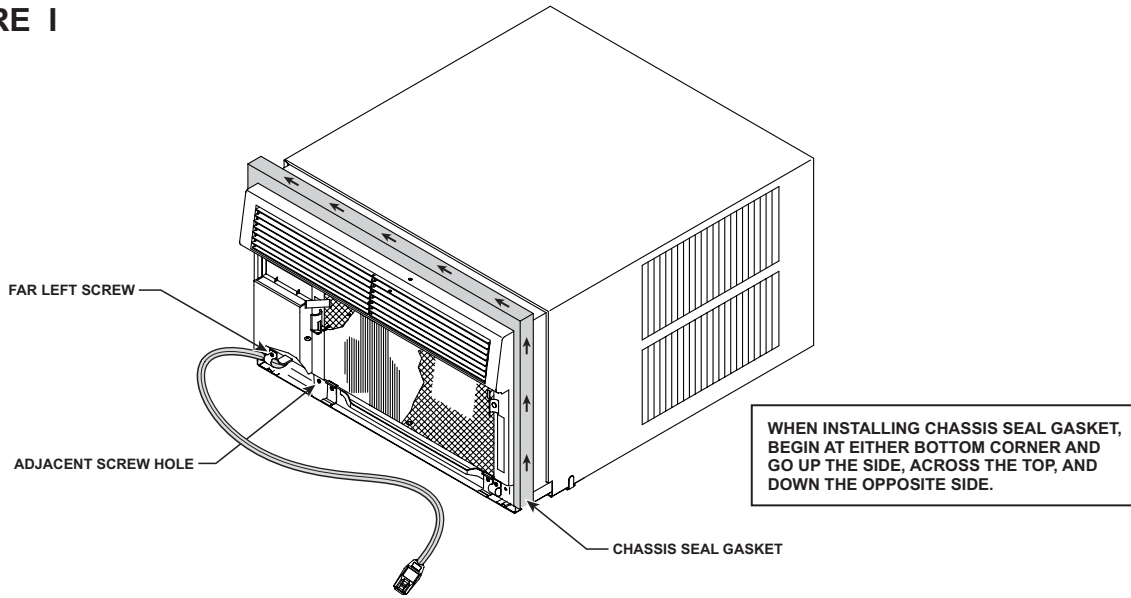
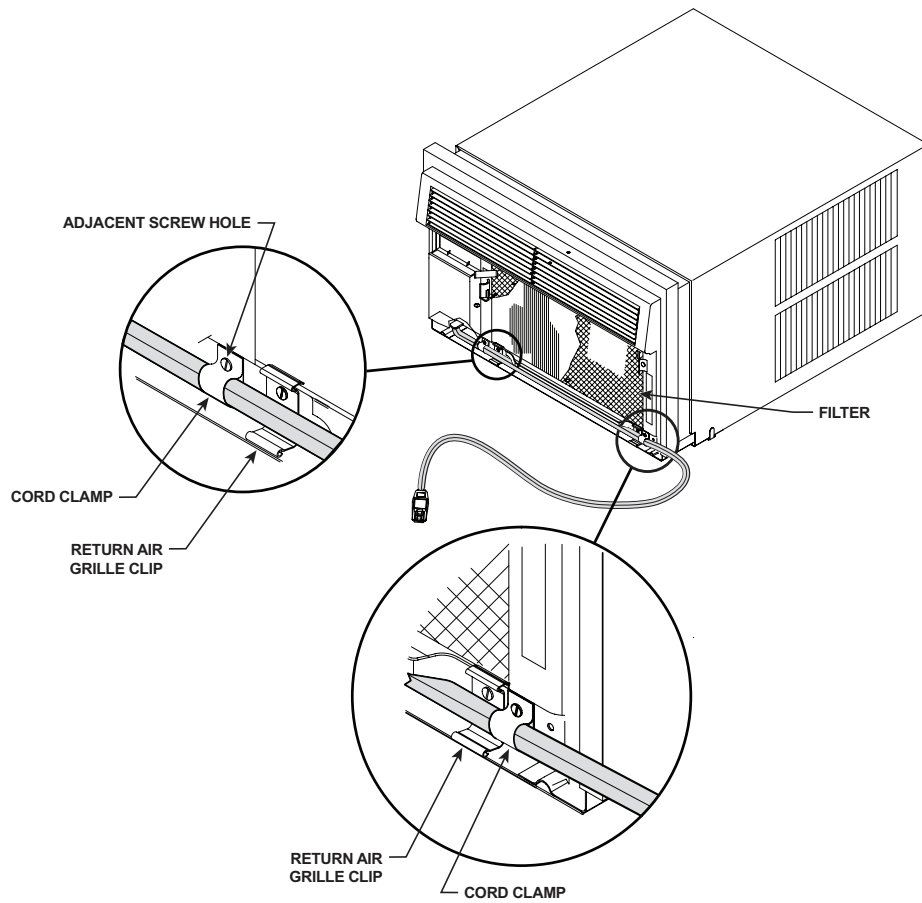
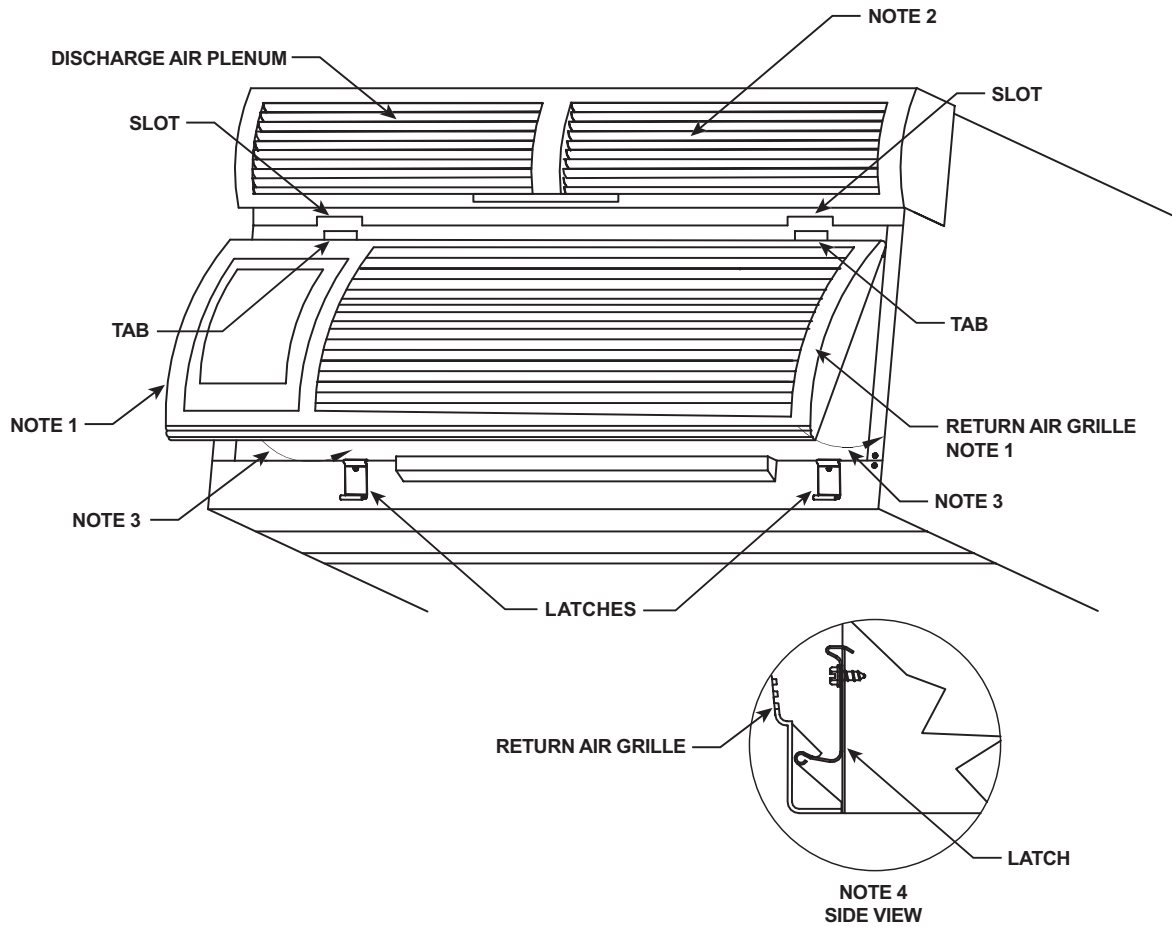


FIGURE J



STEP 17 Be sure the filter is in place before installing the return air grille (See Figure J), and that the electrical cord is properly routed so not to interfere with the installation. (See Step 16.)

FIGURE K



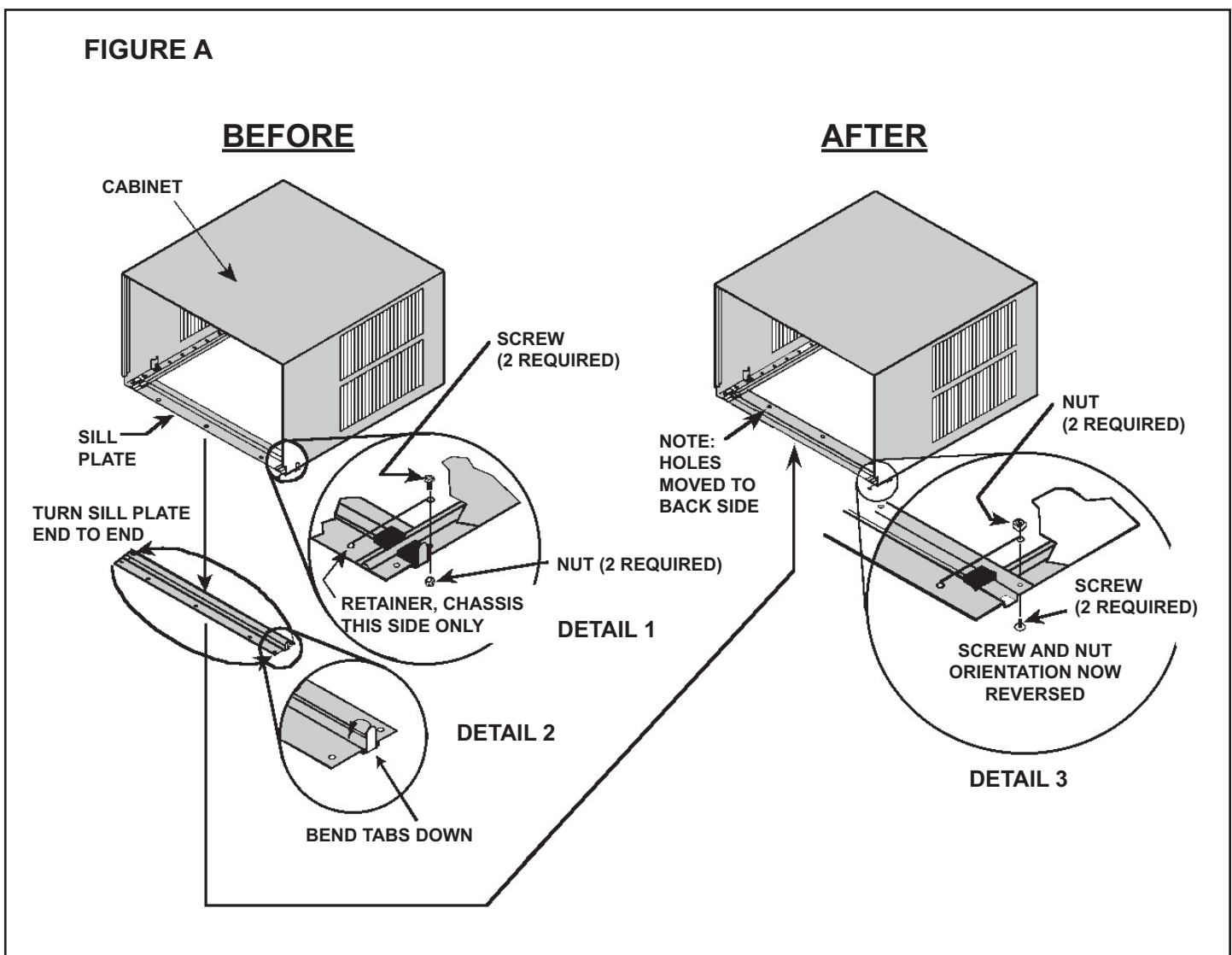
STEP 18 Pick up the grille by supporting it from both sides near the bottom (See Figure K, Note 1.) Lift return air grille and insert the grille's tabs into the bottom slots of the discharge plenum (See Figure K, Note 2). Snap the grille into place by pushing the grille up and onto the unit's latches at the bottom (See Figure K, Notes 3 and 4).

STEP 19 Refer to the "OPERATING GUIDE" for instructions.

THROUGH-THE-WALL INSTALLATIONS

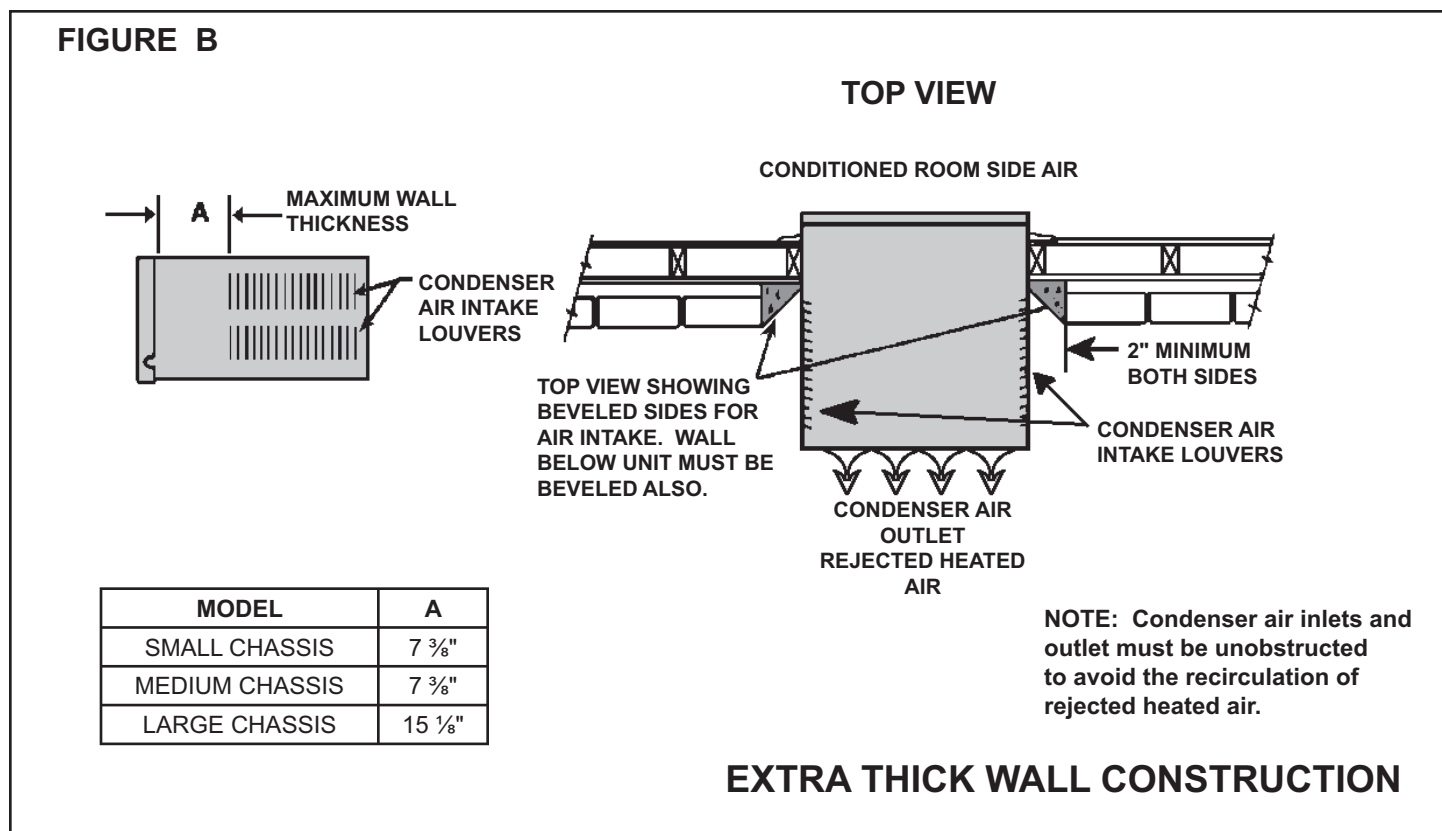
The following instructions apply to installations in wood, masonry, brick, concrete or cinder block construction

- STEP 1** Follow steps 1, 2, 3 and 4 of the "STANDARD SASH WINDOW INSTALLATION" instructions.
- STEP 2** **CABINET PREPARATION:** Remove the sill plate from the cabinet by removing the four nuts and screw retaining the sill plate. Note that the chassis retainer is secured by a right side nut and screw (See Detail 1, Figure A.) Bend the tabs of the sill plate down into its channel at both ends of the plate or cut them off (See Detail 2, Figure A.) Turn the sill plate end to end, 180° and reinstall. Reverse the orientation of nuts and screws so that the head of screw is on bottom of cabinet facing up and nut is on top facing down (See Detail 3, Figure A.) Insure that the chassis retainer is reinstalled as shown in the detail.



STEP 3 WALL PREPARATION: The maximum wall thickness permissible without special construction is determined by the model size to be installed. THE OUTSIDE CABINET CONDENSER-AIR-INTAKE-LOUVERS MUST NOT BE BLOCKED BY EXTENDING INSIDE THE WALL AREA. Observe the maximum wall thickness shown in the chart and diagram in Figure B.

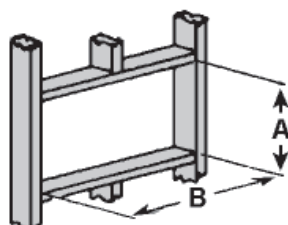
SPECIAL INSTRUCTIONS FOR EXTRA THICK WALLS: For installation in walls exceeding the maximum thickness shown in the chart, the following suggested construction may apply.



STEP 4 CHECKING WIRING AND PLUMBING: Check all wiring and plumbing inside and outside of the wall to be sure none will be broken where the hole is to be cut.

STEP 5 HOLE CONSTRUCTION: Depending upon size of unit to be installed, lay out the hole dimensions per the chart below. Cut and frame in hole to finished dimensions. Use 2" x 4" material for framing and follow the suggested typical installations in Figure C, D, or E on page 12.

NOTE: IF THE WALL CONSTRUCTION IS TYPICAL FRAME OR 2 X 4 STUDDING WITH BRICK OR STONE VENEERS, LOCATE THE HOLE NEXT TO ONE OF THE STUDS. FOR MASONRY, CONCRETE OR CINDER BLOCK WALLS, LOCATE HOLE FOR CONVENIENCE.



FINISHED DIMENSION	SMALL CHASSIS	MEDIUM CHASSIS	LARGE CHASSIS
A	16 3/16"	18 3/16"	20 3/16"
B	26 3/16"	26 3/16"	28 1/2"

NOTE: THESE DIMENSIONS ARE FOR FINISHED HOLE SIZE.

FIGURE C FRAME WALL CONSTRUCTION

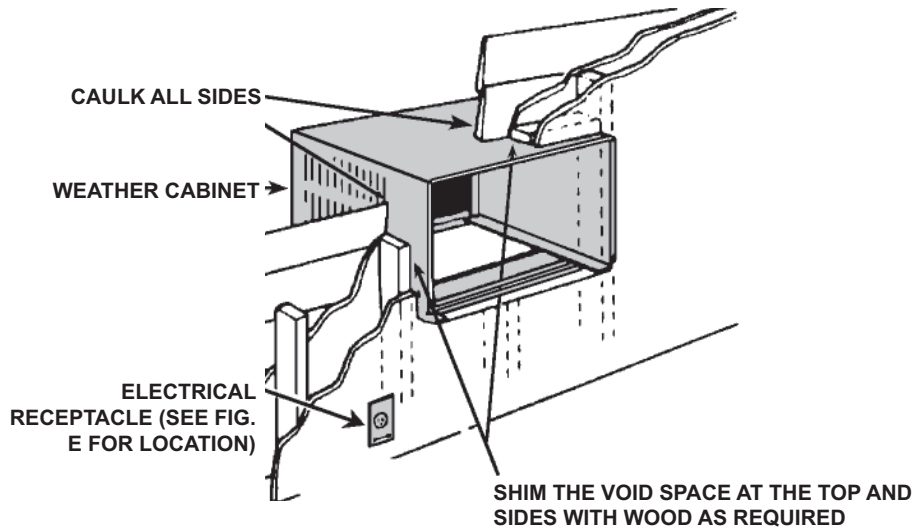


FIGURE D BRICK VENEER CONSTRUCTION

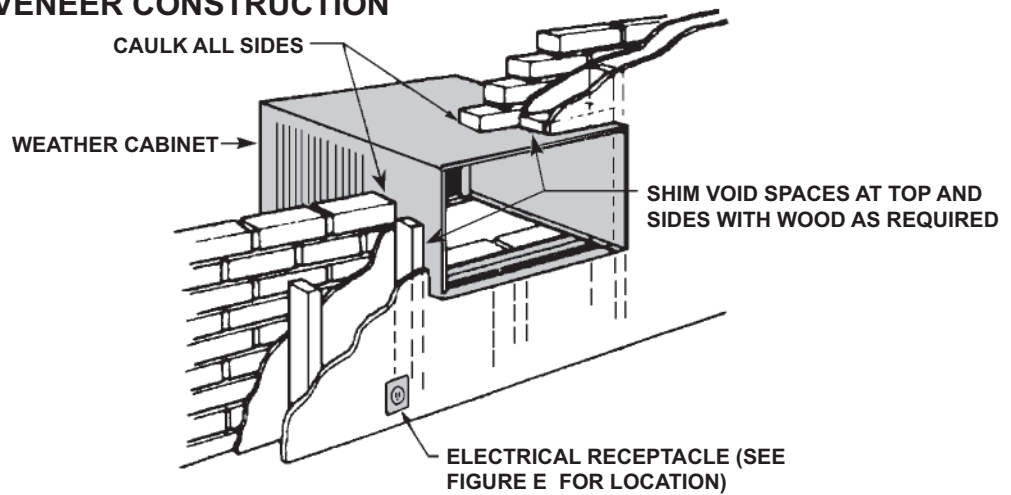
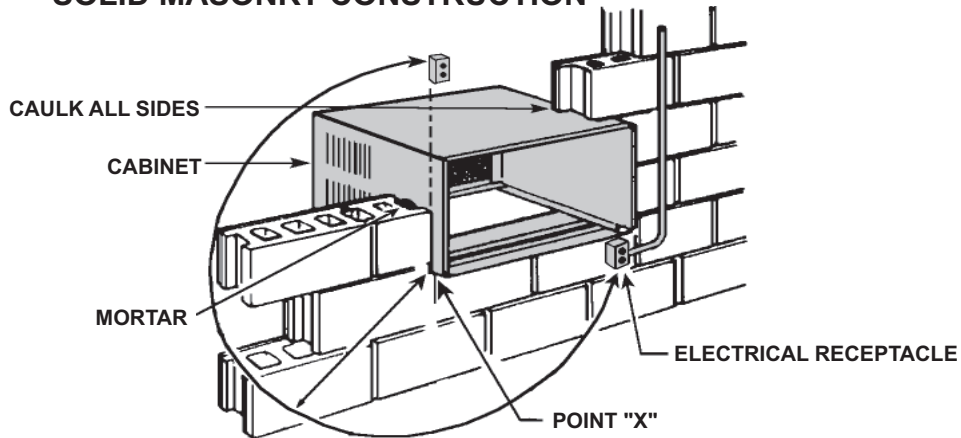
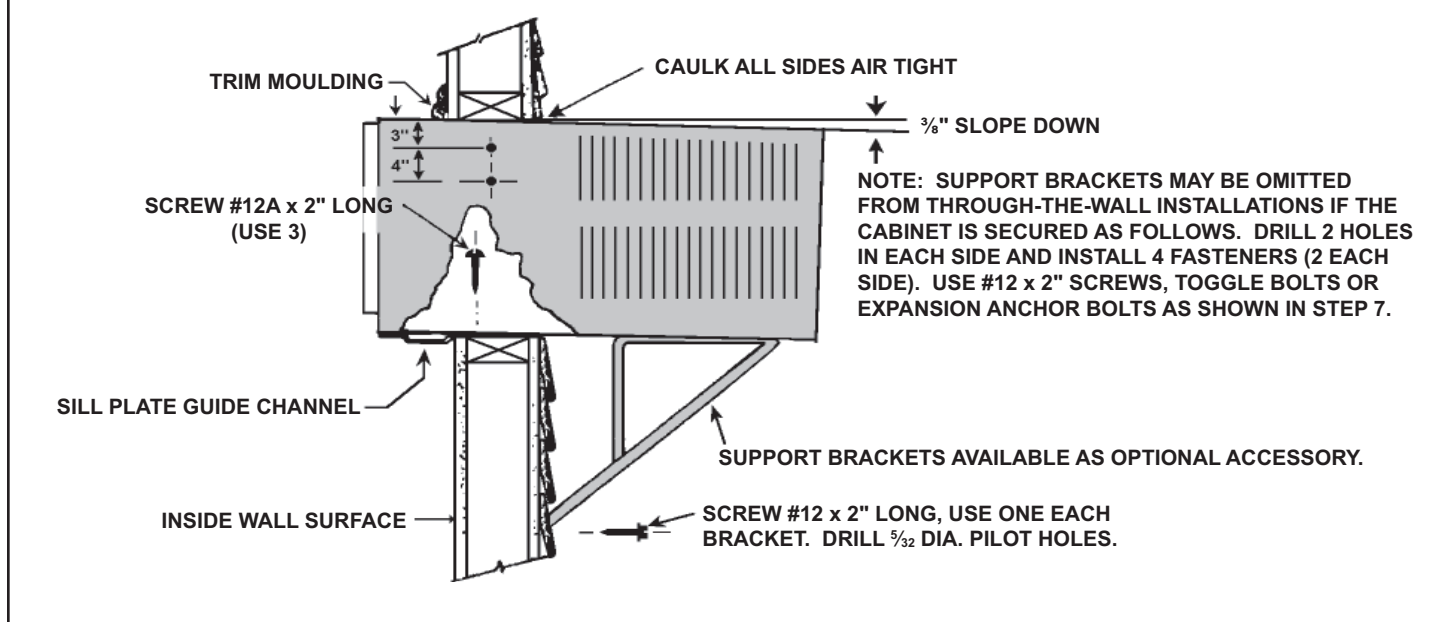


FIGURE E SOLID MASONRY CONSTRUCTION



NOTE: ELECTRICAL RECEPTACLE LOCATION FROM POINT "X" MUST BE WITHIN A MAXIMUM RADIUS OF 53".

FIGURE F TYPICAL INSTALLATION

STEP 6 Slide the cabinet into the hole far enough to allow the guide-channel of the sill plate to contact the inside wall surface (See Figure F).

STEP 7 Drill three (3) $\frac{5}{32}$ " dia. pilot holes through holes in sill-plate into framing and install three (3) #12A x 2" long screws (See Figure F).

NOTE: ALTERNATE FASTENERS WHICH MAY BE USED FOR SECURING THE SILL PLATE IN THE WALL AND THE SUPPORT BRACKETS TO THE OUTSIDE WALL (NOT FURNISHED BUT AVAILABLE AT LOCAL HARDWARE STORE).



MOLLY OR TOGGLE BOLT



EXPANSION ANCHOR BOLT

STEP 8 Drill two (2) $\frac{5}{32}$ " dia. pilot holes each side at the locations shown (see Figure F, page 13) and install four (4) #12A x 2" screws (Item # 4, page 2). Provided that Step 5 (hole construction) provides a sturdy mount with solid vertical studs, no support brackets are required. The installation must support the weight of the unit plus an additional weight of 400 pounds on the rear of the cabinet.

If support brackets are available, they can certainly be used for through-the-wall installations as shown in Figure F.

If the reliability of the wall is in question, a window installation kit which includes support brackets can be ordered (see Accessories).

STEP 9 If desired, trim around the cabinet on the room side with a suitable frame moulding furnished by the installer (see Figure F).

STEP 10 Complete the installation by following steps 13 through 18 of SASH WINDOW INSTALLATION INSTRUCTIONS, Pages 7 and 8.

STEP 11 Refer to the "OPERATING GUIDE" for instructions.

AVAILABLE ACCESSORIES

DC-2 DRAIN KIT - PART NO. 01900235

In some installations, excess condensate water caused by extremely humid conditions, may result in an undesirable water drip such as on a patio or over an entryway. MODEL DC-2 DRAIN KIT (Part No. 01900-235) can be installed to drain the overflow.

WINDOW INSTALLATION KITS

TwinTemp or Heat/Cool room air conditioners are shipped without window mounting hardware because they are seldom mounted in the window. For those instances when these units are being mounted in the window, there are window installation kits available. Depending upon the chassis size for which an installation kit is desired, order:

- WIKS for Small Chassis
- WIKM for Medium Chassis
- WIKL for Large Chassis

THESE ACCESSORIES CAN BE ORDERED FROM YOUR FRIEDRICH DEALER.

Instrucciones para la instalación De unidades de aire acondicionado

NOTA: Este manual incluye instrucciones para instalar las unidades de aire acondicionado que se colocan en ventanas o en paredes. Las unidades de calefacción y enfriamiento TwinTemp® están diseñadas para su instalación permanente a través de la pared. Para montar la unidad en una ventana se requiere un kit de accesorios para montaje en ventana, disponible con su distribuidor Friedrich.

¡IMPORTANTE! ¡LEA PRIMERO! REQUERIMIENTOS ELECTRICOS

IMPORTANTE: Antes de iniciar la instalación, verifique los códigos locales de electricidad y lea la siguiente información.

Su unidad de aire acondicionado debe estar conectada a los mismos voltajes de corriente alterna (A.C.) y Hertz que aparecen en la placa de datos ubicada en el chasis del aparato. Se puede emplear únicamente corriente alterna (A.C), no corriente directa (D.C.). **Consulte su "GUIA DE FUNCIONAMIENTO" para identificar el enchufe que su modelo necesita.**

PROTECCION DE CIRCUITOS-Un circuito sobrecargado invariablemente producirá un funcionamiento deficiente a una falla en el aire acondicionado, por lo tanto, es importante que la corriente de electricidad sea la adecuada. Si el aire acondicionado está conectado a un circuito protegido por un fusible, utilice un fusible de "ACCION RETARDADA" (TIME DELAY) o un interruptor de circuito HACR. Si tiene alguna duda consulte con su distribuidor o con la compañía de electricidad local.

Mire la placa ubicada en el chasis con datos sobre electricidad, para que elija el amperaje del fusible o del interruptor de circuito apropiado para su unidad (Ver Figura E en la Página 20 para la ubicación del enchufe eléctrico).

El cable eléctrico tiene un tomacorriente con polo de conexión a tierra de tipo aprobado y se necesita un enchufe apropiado. **JAMAS CORTE NI quite el conductor a tierra del enchufe.**

NO UTILICE CABLES DE EXTENSION PARA HACER FUNCIONAR SU UNIDAD DE AIRE ACONDICIONADO.

Las siguientes instrucciones son para los tamaños de chasis regulares (standard) que se distinguen por las dos primeras letras del modelo y los tamaños de gabinetes que se encuentran a continuación:

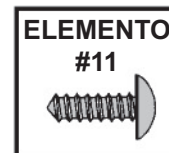
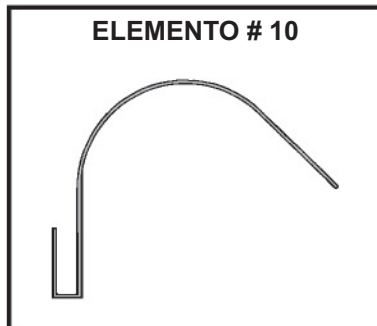
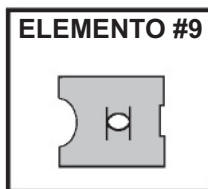
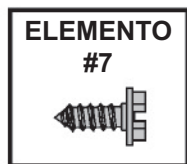
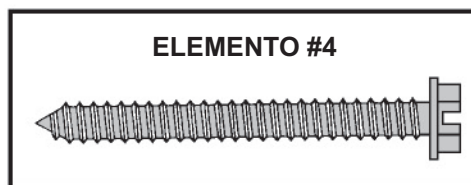
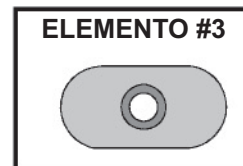
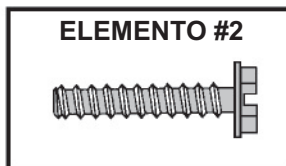
GRUPOS	TAMAÑO DEL GABINETE
Chasis pequeño - SS, ES, YS, KS, RS	15 15/16" pulgada altura x 25 15/16" pulgada de ancho x 27 3/8" pulgada de profundidad (405 mm x 660 mm x 695 mm)
Chasis mediano - SM, EM, YM, KM, RM	17 15/16" pulgada altura x 25 15/16" pulgada de ancho x 27 3/8" pulgada de profundidad (455 mm x 660 mm x 695 mm)
Chasis grande - SL, EL, YL	20 3/16" pulgada altura x 28" pulgadas de ancho x 33-5/8" pulgada de profundidad (513 mm x 711 mm x 854 mm)

ELEMENTOS DE INSTALACION PARA MONTAJE EN LA VENTANA

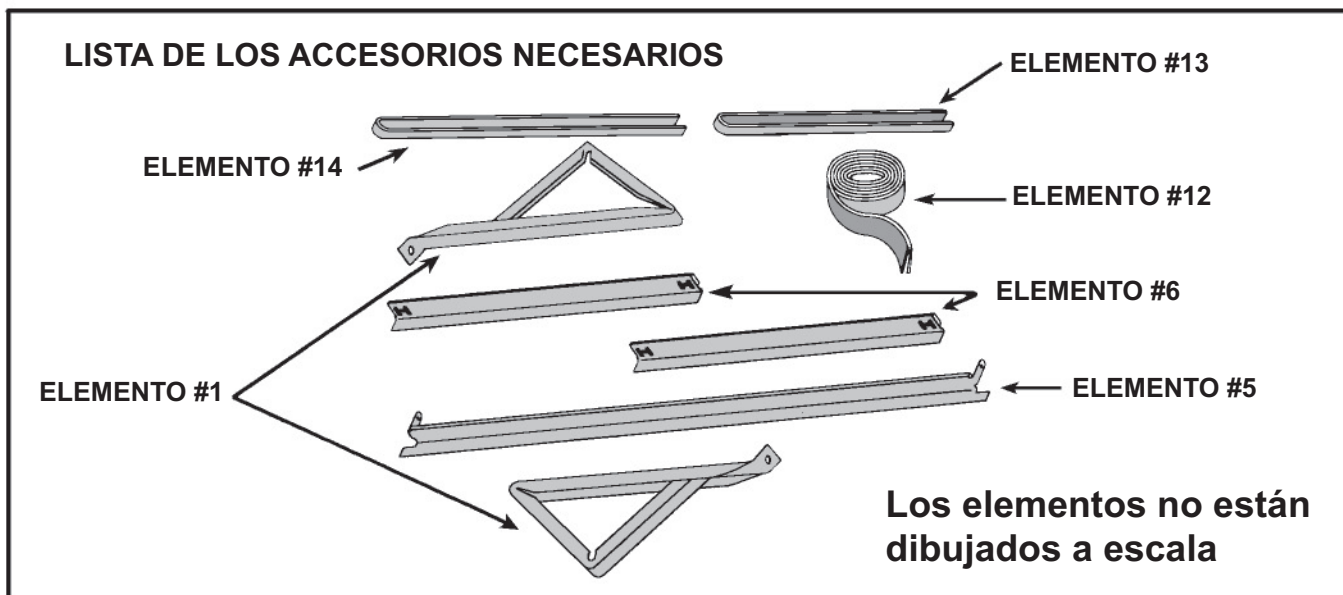
ELEMENTO NO.	DESCRIPCIÓN	CANTIDAD
PARTES PARA LA INSTALACION DE LA BASE		
1	Soporte externo,	2
2	Tornillo, 10-24 x 1" pulgada, cabeza hexagonal	4
3	Tuerca plana 10-24	4
4	Tornillo, hoja de metal #12A x 2" pulgadas	7
INSTALACION DEL ÁNGULO DE REBORDE		
5	Ángulo de reborde superior	1
6	Ángulo de reborde lateral,	2
7	Tornillo, #8A x 3/4" pulgada	2
ELEMENTOS PARA LA INSTALACION DEL REBORDE		
8	Reborde de Masonita	1
9	Tuerca rápida tipo "J"	4
10	Gancho de resorte de acero	4
11	Tornillo, #8A x 1/2" pulgada, tipo Phillips	4
SELLAMIENTO PARA LA VENTANA		
12	Arandela de sellamiento (Vinilo)	1
13	Arandela de sellamiento para ventana (espuma obscura)	1
14	Arandela para sellar el chasis	1

ELEMENTOS PARA INSTALACION A TRAVES DE LA PARED

ELEMENTO	DESCRIPCIÓN	CANTIDAD
4	PARTES PARA LA INSTALACION Tornillo, hoja metalica # 12A x 2" pulgadas Arandela de sellamiento para el chasis	7
14		1

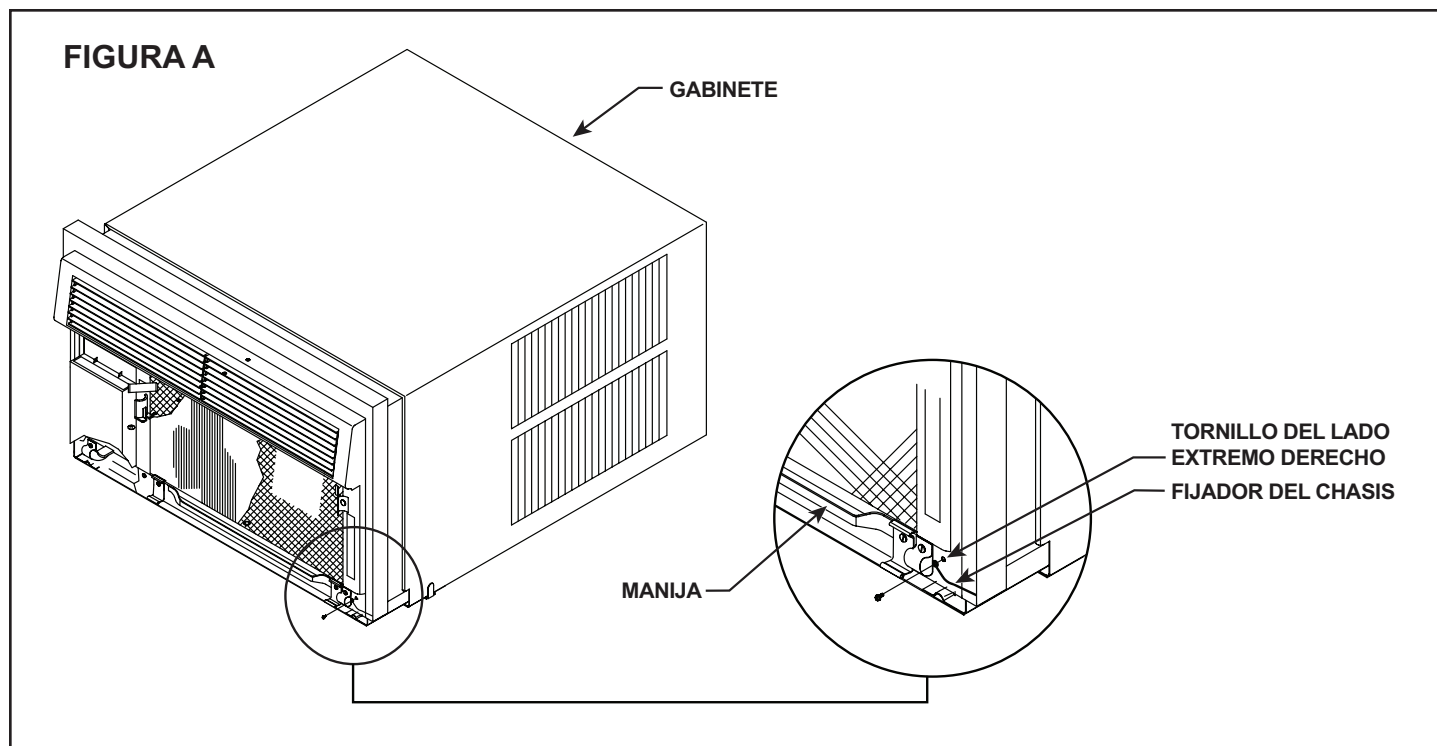


LISTA DE LOS ACCESORIOS NECESARIOS



INSTALACION PARA VENTANA REGULAR DE VIDRIERA

- PASO 1** Quite el frente plástico decorativo, coloque la rejilla de aire en un sitio seguro, lejos de la unidad. La rejilla de retorno del aire puede removerse jalando de ella por los lados, en la parte superior o la inferior.
- PASO 2** Quite también los elementos para instalación y póngalos en un lugar seguro, lejos de la unidad.
- PASO 3** Quite el alambre fijador del chasis sacando el tornillo interior derecho al fondo de la base (Ver Figura A); guarde este tornillo para volver a asegurar el fijador del chasis una vez lo haya instalado (Paso 15). También quite y deseche los dos tornillos de retención y los casquillos de plástico colocados detrás de la unidad.
- PASO 4** Mientras un ayudante sostiene el gabinete, utilice la manija para jalar la parte delantera de la base (Ver Figura A) y saque el chasis fuera del gabinete. Deseche los bloques amortiguadores de espuma blanca utilizados para retener el compresor durante envío. Examine la base y quite todos los bloques blancos desalojados. No quite cualquiera otra espuma.



- PASO 5** Instale los ángulos laterales (Elemento #6) encajando las lengüetas en el extremo de cada placa de reborde (Ver Figura B, Página 18) con las ranuras inferiores del ángulo lateral. Asegure las lengüetas en cada extremo del ángulo superior (Elemento #5) con las ranuras superiores del ángulo lateral (Ver Figura B, Página 18). Instale dos (2) tornillos (Elemento #7) para asegurar las lengüetas del ángulo superior y el ángulo lateral al gabinete (Ver Figura B, Página 18).
- PASO 6** Revise la repisa de la ventana y el marco para asegurarse de que están en buenas condiciones y de que están firmemente sujetos a la pared. Haga las reparaciones que sean necesarias.
- PASO 7** **INSTALACION DEL GABINETE:** Levante la parte inferior de la vidriera $\frac{1}{4}$ " pulgada (6 mm) más que la altura del gabinete. Con cuidado, meta el gabinete por la ventana abierta hasta que la placa del reborde de la ventana esté descansando por detrás del reborde de la ventana y el ángulo superior de apoyo esté descansando contra la ventana (Ver Figura C Página 18). Colóquelo en el centro y taladre tres (3) huecos piloto de $\frac{5}{32}$ " pulgada (4 mm) de diámetro en el reborde; utilizando como guía los huecos en la placa del reborde del gabinete instale tres (3) tornillos largos #12A x 2" pulgadas (Elemento #4) (Ver Figura C Página 18).

FIGURA B

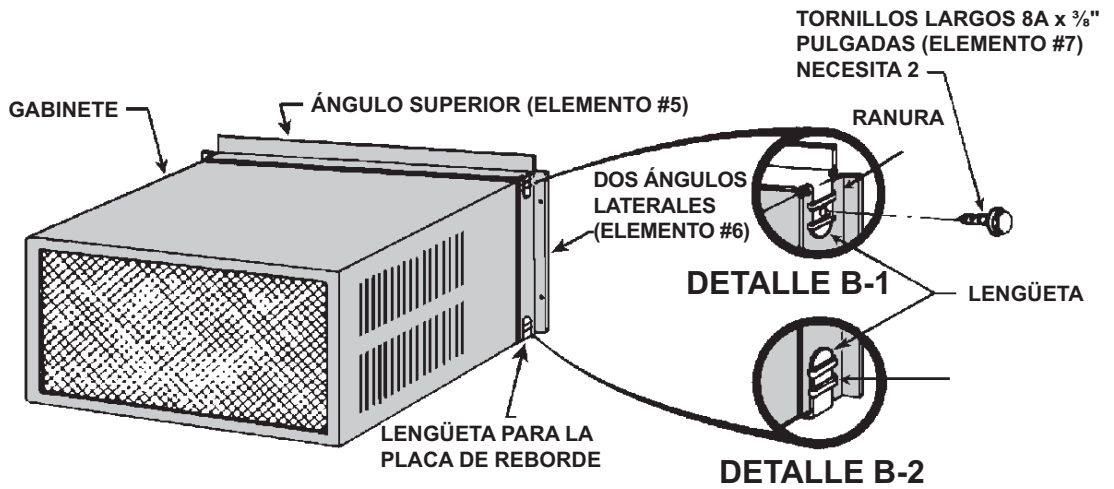


FIGURA C

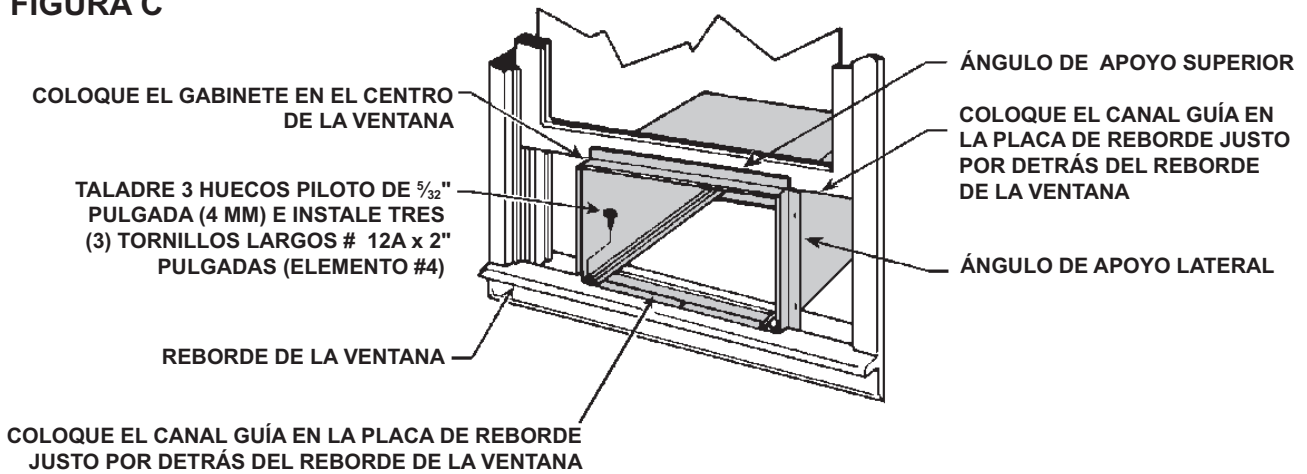
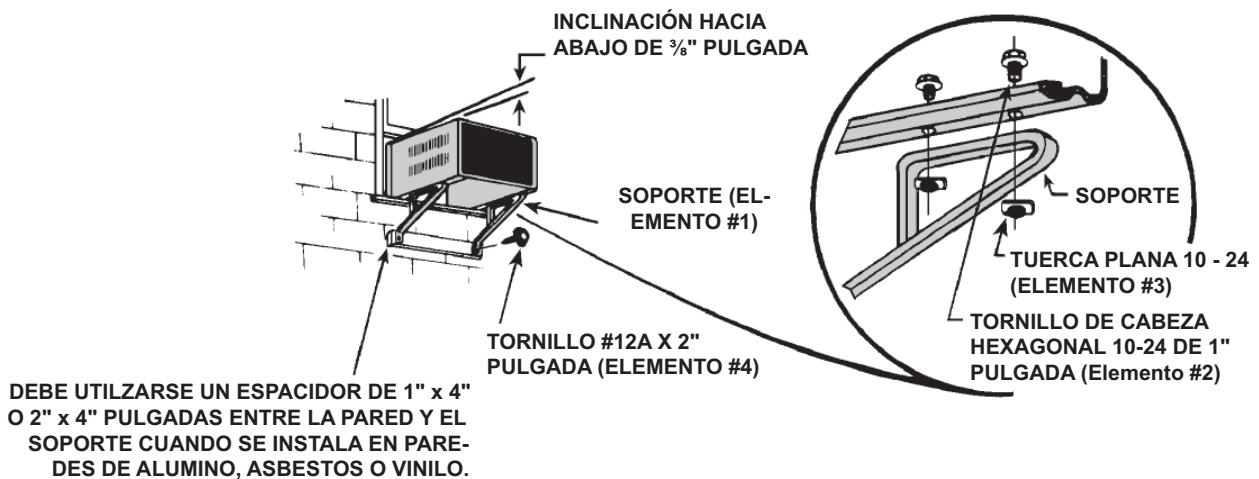


FIGURA D



PASO 8 INSTALACION CON APOYO EXTERIOR – Una los soportes (Elemento #1) con los rieles inferiores del gabinete con cuatro (4) tornillos largos (Elemento #2) 10-24 1" pulgada y cuatro (4) tuercas planas (Elemento #2) 10-24. Ajuste los soportes de tal forma que las almohadillas inferiores queden en contacto con la superficie de la pared (**DEBE UTILIZARSE UN ESPACIADOR DE 1" X 4" O 2" X 4" PULGADAS ENTRE LA PARED Y LOS SOPORTES CUANDO SE INSTALA EN PAREDES DE ALUMINO O DE VINILO**). Taladre unos huecos piloto de 5/32" pulgada (4 mm) de diámetro y asegure los soportes en la pared con dos (2) tornillos largos de 12A x 2" pulgadas (Elemento #4). Ajuste los soportes para que tengan una inclinación de aproximadamente 3/8" pulgada (10 mm) de caída. Apriete todos los tornillos. (Ver Figura D, Página 18).

NOTA: Las tomas y salidas para el abastecimiento de aire, para la toma de aire y las del condensador no pueden estar obstruidas, para evitar la recirculación del aire caliente expulsado.

Las ilustraciones a continuación muestran la instalación en una construcción de madera normal, así como unas sugerencias sobre cómo adaptar el soporte de apoyo a paredes gruesas de piedra grande.

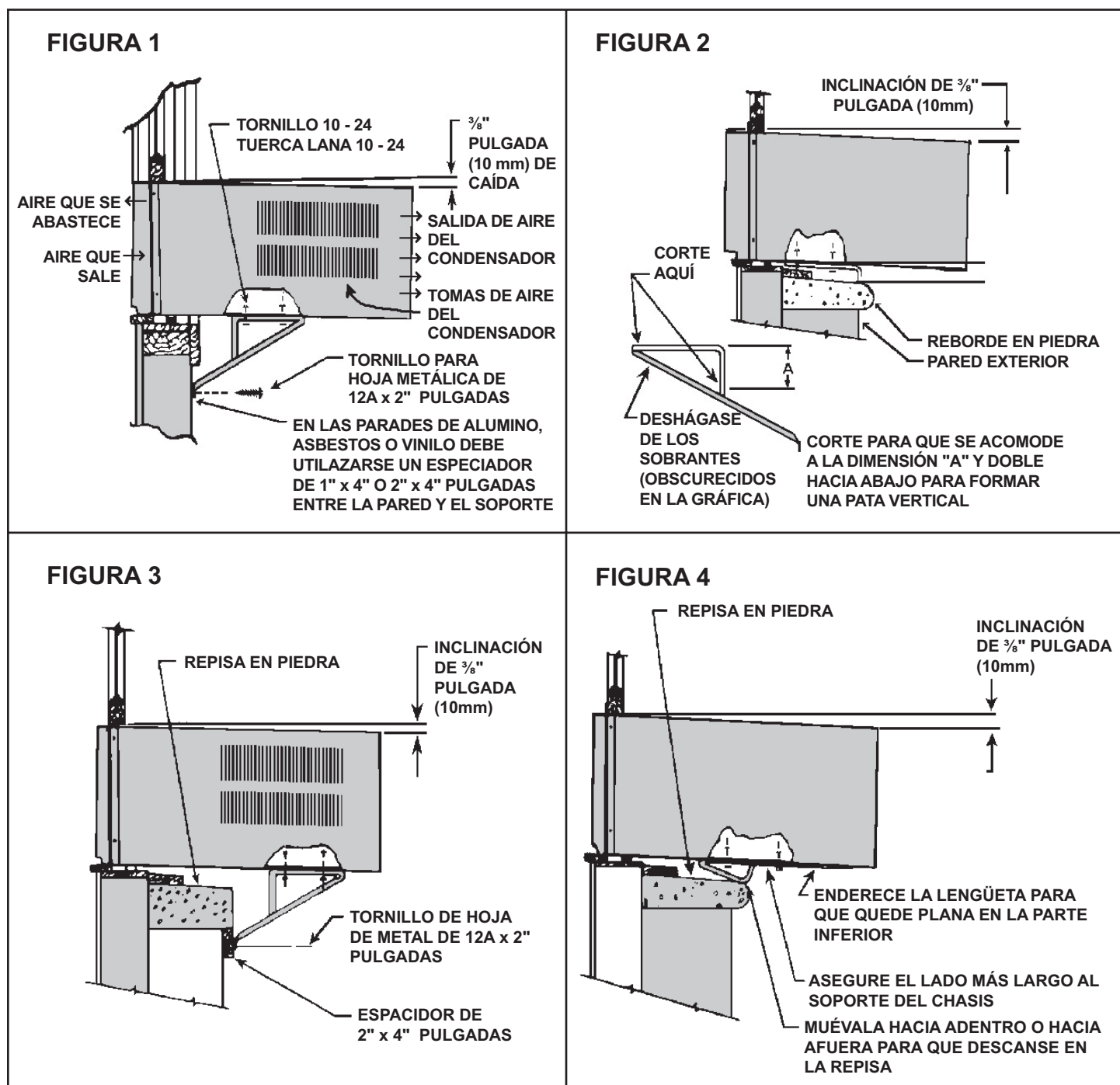
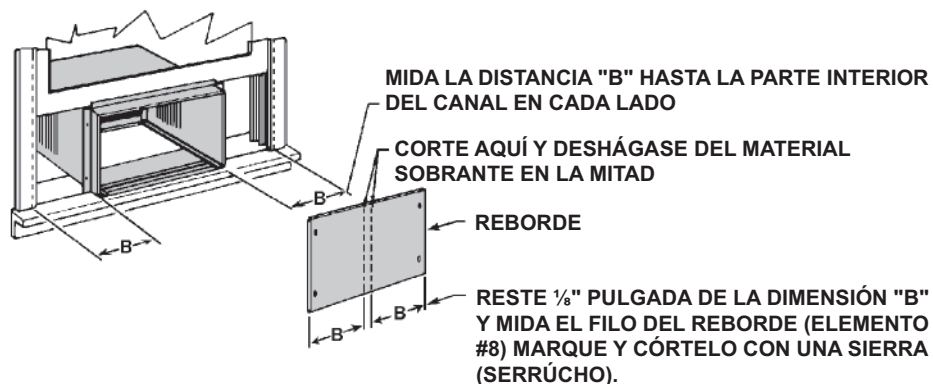


FIGURA E

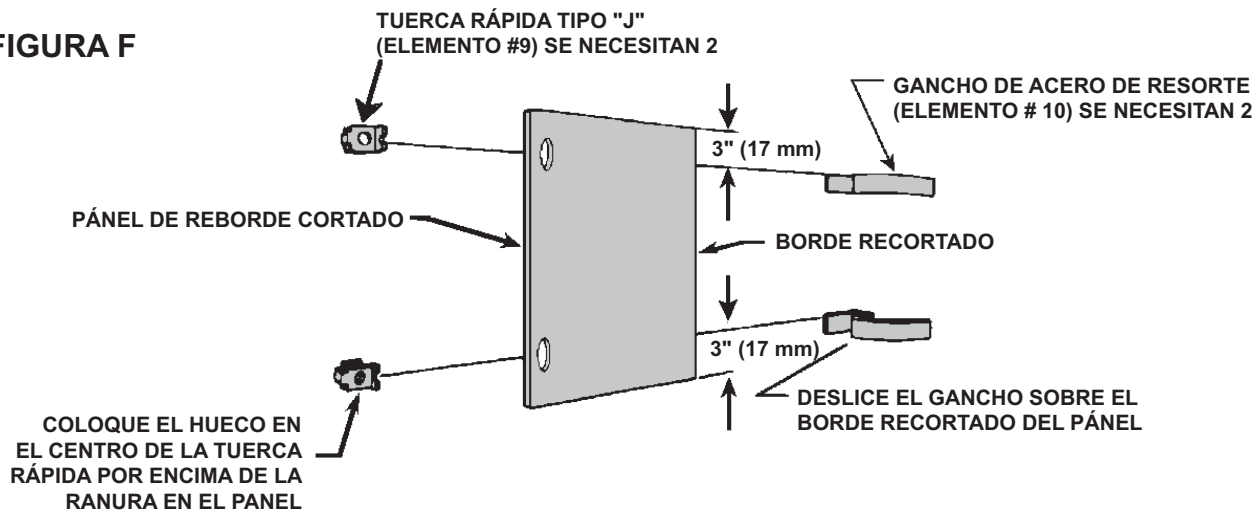


PASO 9 CORTE LOS PANELES DEL REBORDE: Mida y corte los paneles del reborde de Masonita que se suministran (Elemento #8) para encajarlos en los espacios entre los canales laterales de la ventana y los lados del gabinete (Ver Figura E).

NOTA: UNA VEZ HAYA CORTADO LOS PANELES, HAGA UNA PRUEBA DE ENSAYO PARA VER SI SE ACOMODAN AL ESPACIO CON APROXIMADAMENTE 1/8" PULGADA (3 mm) DE ESPACIO ANTES DE PROCEDER AL PASO 10.

PASO 10 INSTALE LOS GANCHOS EN LOS PANELES DE REBORDE: Ensamble las tuercas rápidas tipo "J" (Elemento #9) y los ganchos de acero de resorte (Elemento #10) a los paneles de la ventana (Ver Figura F).

FIGURA F



PASO 11 INSTALE LOS PANELES DEL REBORDE LATERAL – Asegúrese de que el gabinete se ha asegurado bien al reborde de la ventana y el apoyo exterior se ha instalado como aparece en las Figuras C y D de la Página 18. Levante la ventana e instale los paneles del lado derecho y del lado izquierdo del reborde (Ver Figura G, Página 21).

PASO 12 INSTALE LAS ARANDELAS DE SELLAMIENTO DE LA VENTANA – Mida y corte la arandela de vinilo del reborde de la ventana (de color gris, Elemento # 2) para que esté de acuerdo con el ancho de la venta e instálela como aparece en la Figura H de la Página 21. Tire hacia abajo de la vidriera por detrás de la arandela. Mida y corte la espuma oscura de la arandela del reborde de la ventana (Elemento #13) e instálela entre el panel del vidrio superior y la parte superior de la vidriera (Ver Figura H, Página 21).

NOTA: POR SEGURIDAD Y PROTECCION, EL CLIENTE DEBE ASEGURARSE DE QUE LA VENTANA NO SE PUEDA ABRIR.

FIGURA G

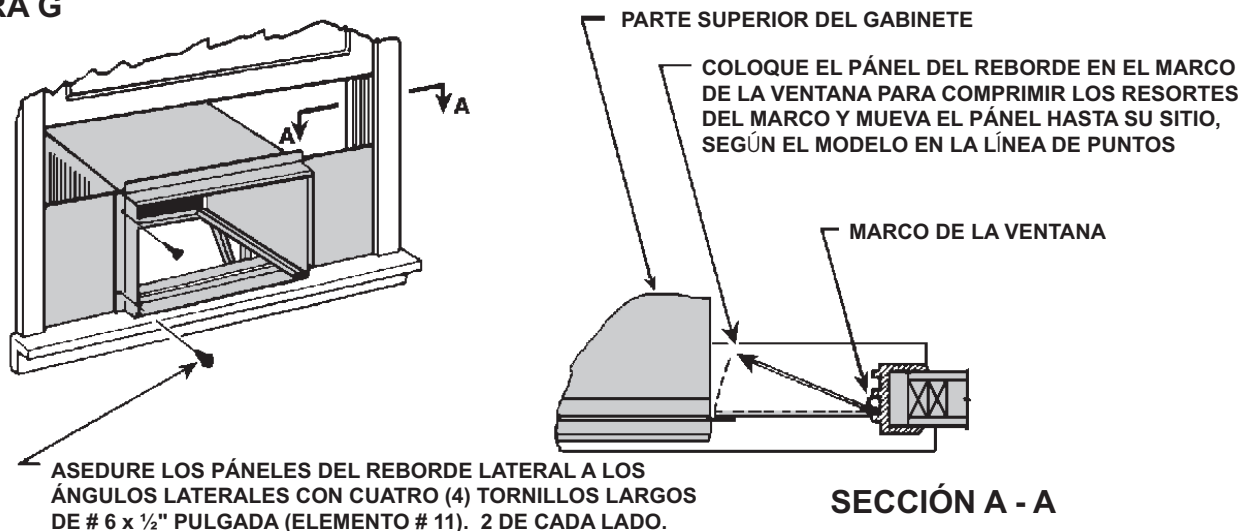
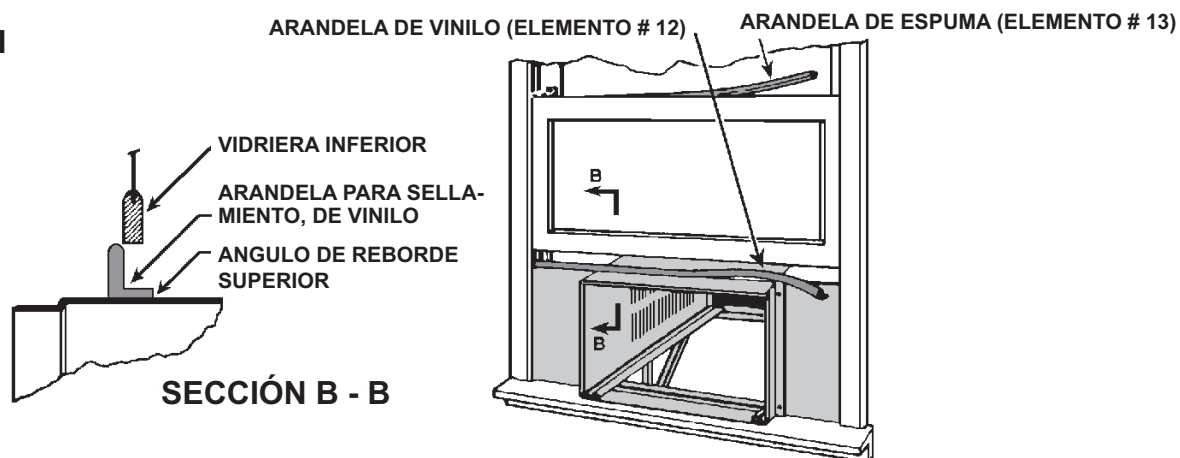


FIGURA H



PASO 13 Cuando sea posible, rellene la parte exterior de la instalación con un tipo relleno de tipo industrial para evitar que haya filtraciones de agua debidas al clima.

PASO 14 **INSTALE EL CHASIS:** Después de instalar el forro, deslice el chasis dentro del forro hasta aproximadamente 7.62 cm (3 pulgadas) de la inserción completa. Calafeteo la junta de sello a una profundidad de 2.54 cm (1 pulgada) entre el chasis y el forro (ver la Figura I, Página 22). Empiece en cualquiera de las esquinas de abajo y vaya hacia arriba por los lados, alrededor **de la parte de arriba** y nuevamente hacia abajo por el lado opuesto. Luego empuje completamente el chasis dentro del forro en toda la distancia de modo que la porción delantera de plástico tope con el borde frontal del forro.

Si no se instala la junta de sello del chasis, el funcionamiento de la unidad será afectado de manera adversa. Además, aumentarán el ruido del funcionamiento y el ruido exterior.

PASO 15 Vuelva a colocar el fijador del chasis con el mismo tornillo del Paso 3 (Ver Figura A en la Página 17).

PASO 16 **OPCIONAL:** El cable de alimentación se ensambla en la fábrica de manera que salga por el lado izquierdo de la unidad. A discreción del consumidor, se puede hacer que el cable de alimentación salga por el lado derecho de la unidad. Para lograrlo, retire la abrazadera cubierta de goma negra del cable por debajo del tornillo situado hasta la extrema izquierda. (Ver la Figura I, Página 22) Reemplace este tornillo colocándolo nuevamente en el orificio de tornillo situado hasta la izquierda. Encauce el cable de alimentación sobre la parte superior de los broches de la rejilla de retorno de aire y vuelva a fijar la abrazadera al orificio de tornillo adyacente. (Figuras I y J, Página 22). Desprenda la abrazadera de cable del lado derecho, encauce el cable de alimentación a través de ella y fíjelo. El cable de alimentación debe quedar tenso, y no debe reposar sobre los broches de la rejilla de retorno de aire.

FIGURA I

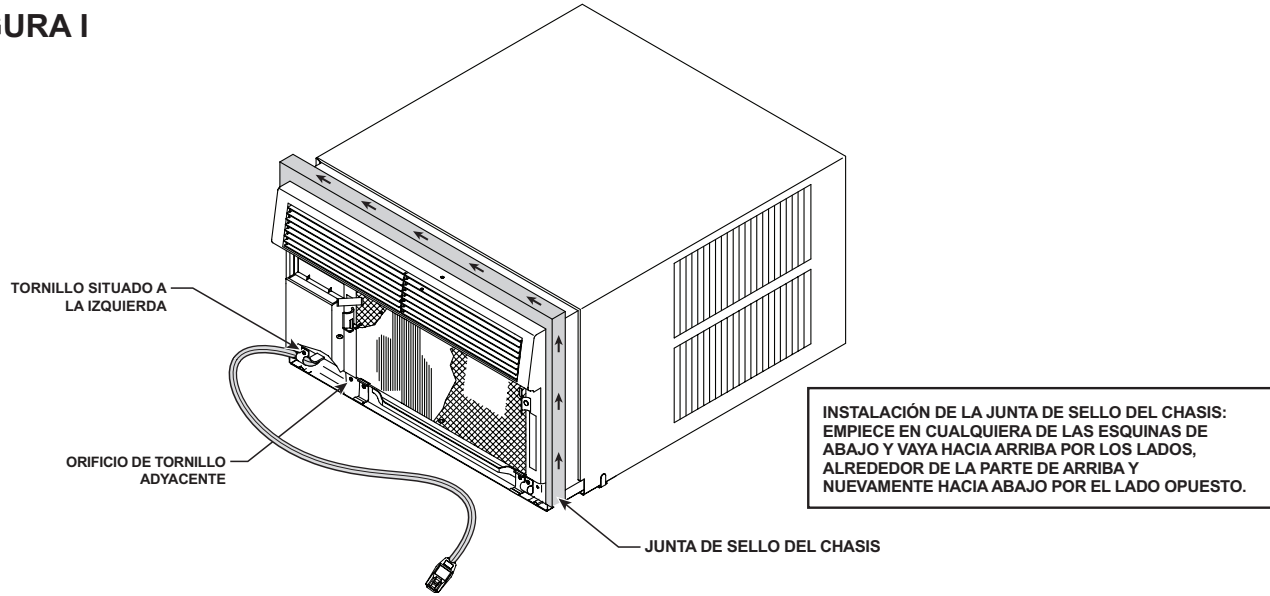
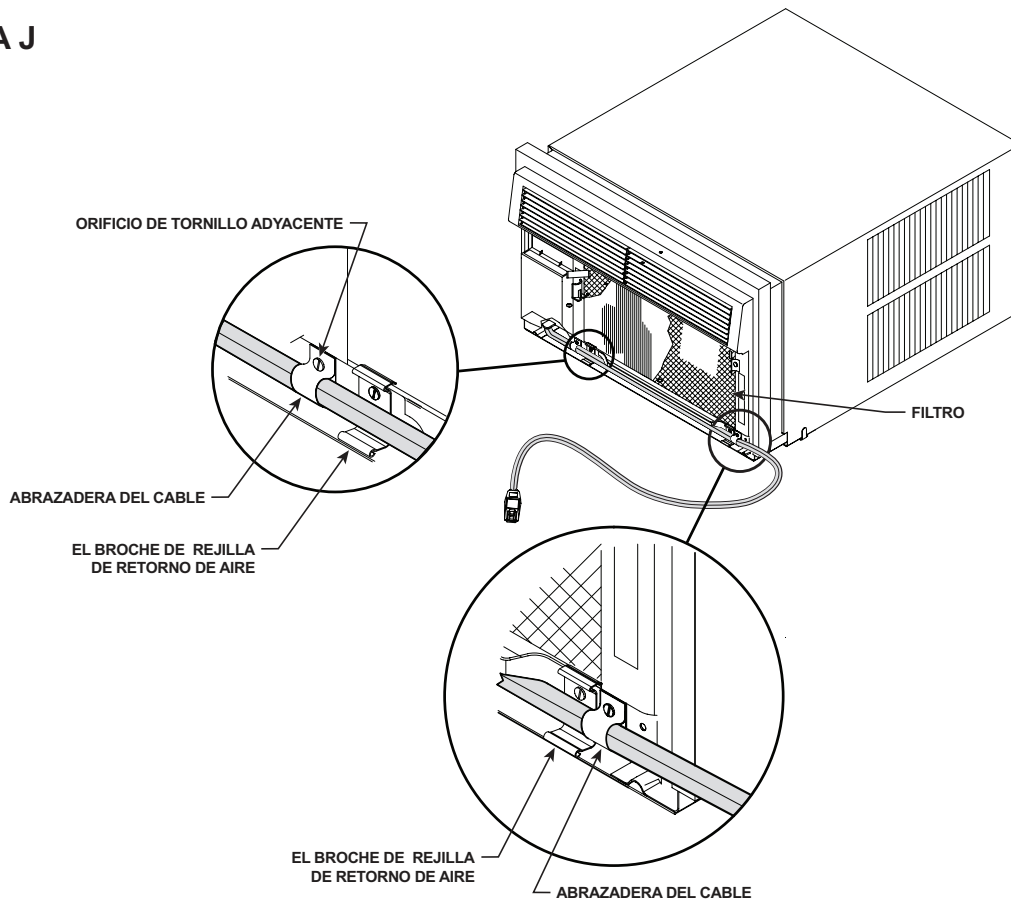
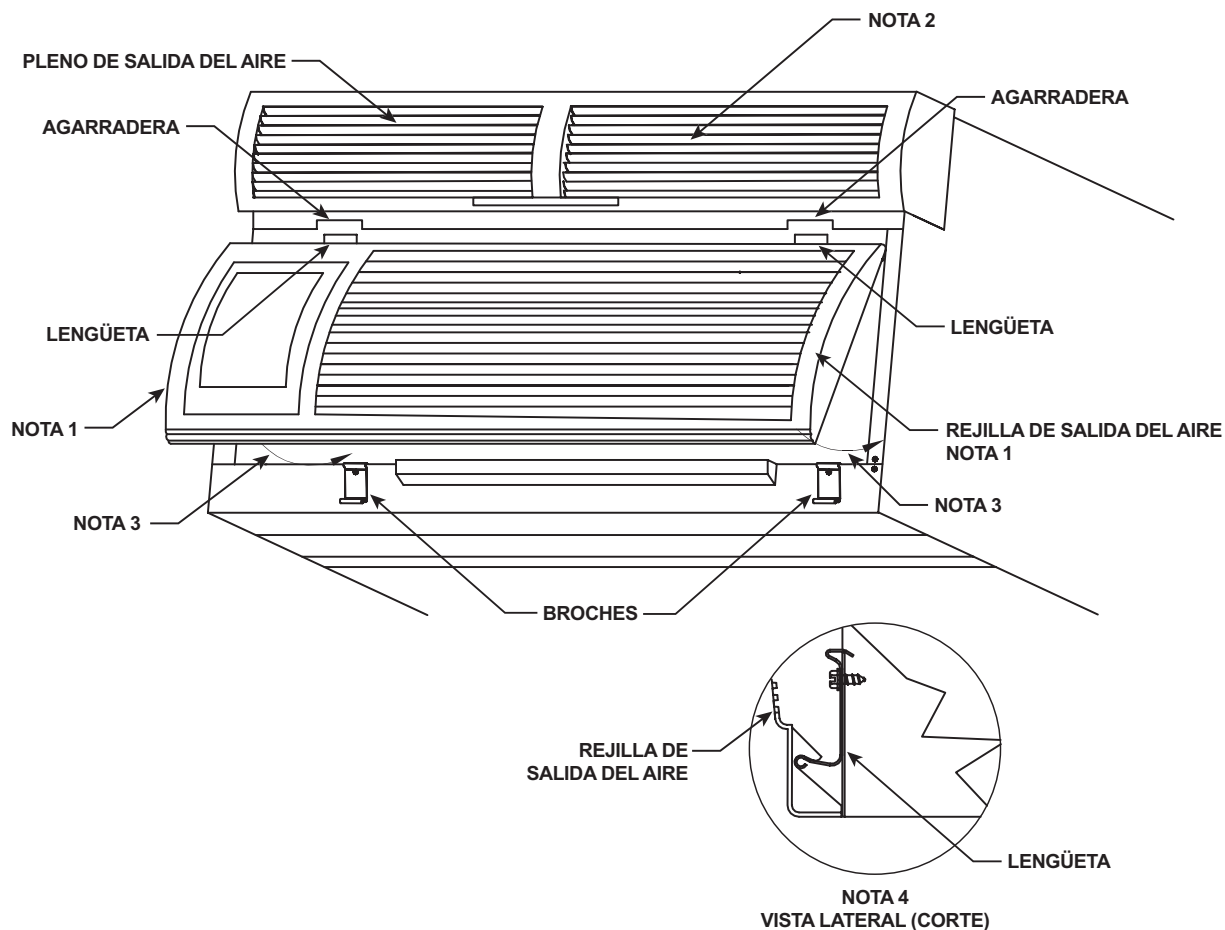


FIGURA J



PASO 17 Asegúrese de que el filtro está en su lugar antes de instalar nuevamente la rejilla de aire (Ver Figura J) y de que el cordón eléctrico esté bien colocado para que no interfiera con la instalación (Ver Paso 16).

FIGURA K



PASO 18 Levante la rejilla sosteniéndola de ambos lados, cerca de la base inferior. (Ver Figura K, Nota 1). Levante y enganche las lengüetas de la rejilla en las agarraderas de la parte inferior del pleno de salida de aire (Ver Figura K, Nota 2). Enganche la rejilla en su sitio empujándola hacia arriba y en los broches de la parte inferior (Ver Figura K, Notas 3 y 4).

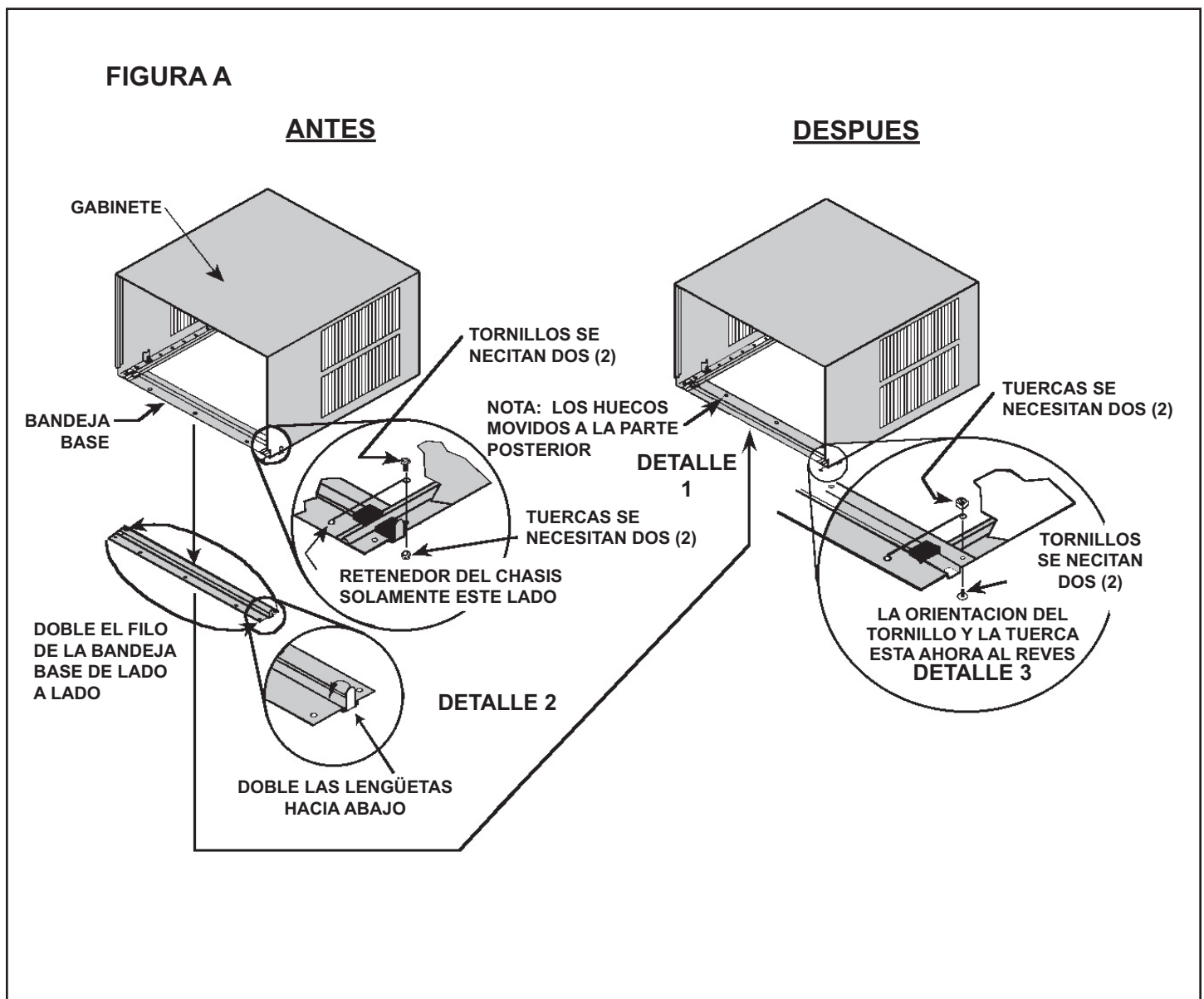
PASO 19 Refiérase a la "**Guía de funcionamiento**" para instrucciones.

INSTALACIONES A TRAVES DE LA PARED

Las siguientes instrucciones aplican para instalaciones en modera, de albañilería, ladrillo, concreto o bloques de concreto prefabricado.

PASO 1 Siga los pasos 1, 2, 3 y 4 de los instrucciones para la INSTALACION DE VENTANAS REGULARES DE VIDRIERA.

PASO 2 PREPARACION DEL GABINETE – Saque la placa de reborde y los cuatro fijadores de tuerca del chasis. Note que el retenedor del chasis está asegurado en el lado derecho con un sólo juego de tornillo y tuerca (Ver Detalle 1, Figura A). Doble hacia abajo o saque ambas lengüetas en cada lado (Ver Detalle 2, Figura A). Voltee la placa de reborde 180° y reinstale. Invierta la orientación de los tornillos y tuercas para que la cabeza del tornillo esté en el fondo del gabinete apuntando hacia arriba y la tuerca esté encima, frente al fondo (Ver Detalle 3, Figura A). Asegúrese que el retenedor del chasis esté reinstalado como mostrado en el Detalle.



PASO 3 PREPARACION DE LA PARED: El grosor máximo que se permite para la pared sin que sea necesaria una construcción especial lo determina el tamaño del modelo que se va a instalar. **LA ENTRADA DE AIRE NO DEBE QUEDAR ADENTRO DE LA PARED PARA NO OBSTACULIZAR EL AIRE DEL CONDENSADOR.** Observe las instrucciones especiales para paredes extremadamente gruesas que aparecen en el diagrama de la Figura B.

INSTRUCCIONES ESPECIALES PARA PAREDES EXTREMADAMENTE GRUESAS: Para la instalación en paredes que superan el grueso (espesor) máximo que aparece en el cuadro, es posible que se necesiten las siguientes especificaciones de construcción:

FIGURA B

VISTA SUPERIOR

AIRE ACONDICIONADO HACIA EL LADO DE LA HABITACIÓN

UN MÍNIMO DE 2" PULGADAS (50 mm) EN AMBOS LADOS

ENTRADA DE AIRE PARA EL CONDENSADOR

SALIDA DE AIRE DEL CONDENSADOR
AIRE CALIENTE EXPULSADO

GROSOR MÁXIMO DE LA PARED

ENTRADA DE AIRE PARA EL CONDENSADOR

VISTA SUPERIOR DONDE APARECEN LOS BISELADOS PARA LA ENTRADA DE AIRE, LA PARED POR DEBAJO DEL APARATO TAMBIÉN DEBE SER BISELADA.

MODELO	A
CHASÍS PEQUEÑO	7 3/8" PULGADA (187 mm)
CHASÍS MEDIANO	7 3/8" PULGADA (187 mm)
CHASÍS GRANDE	15 1/8" PULGADA (384 mm)

NOTA: Las tomas y la salida de aire del condensador no pueden estar obstruidas, para evitar la recirculación del aire caliente expulsado.

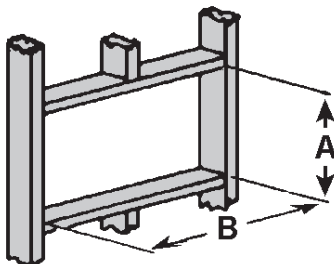
CONSTRUCCIÓN PARA PARED EXTREMADAMENTE GRUESA

PASO 4 CONTROL DE LOS CABLES Y DE LA INSTALACION DE PLOMERIA:

Verifique los cables y la plomería por dentro y por fuera de la pared, para asegurarse de que no se van a perforar cuando se abra el hueco.

PASO 5 CONSTRUCCION DEL HUECO: Según el tamaño del aparato que ha de instalarse, el tamaño del hueco se debe hacer de acuerdo con las dimensiones que se dan a continuación. Corte y enmarque el hueco de acuerdo con las dimensiones terminadas. Utilice tablón de 2" x 4" pulgadas para enmarcar y siga la instalación típica que se sugiere en la Figura C, D o E en la Página 26.

NOTA: SI LA CONSTRUCCION DE LA PARED ES DE MARCO TIPICO O DE VIGAS DE 2" X 4" PULGADAS CON REVESTIMIENTO EN LADRILLO O EN PIEDRA, UBIQUE EL HUECO JUNTO A UNA DE LAS VIGAS. EN PARED DE ALBAÑILERIA, CONCRETO O PAREDES DE LADRILLOS EN CONCRETO, SITUE EL HUECO A SU GUSTO.



DIMENSION TERMINADA	CHASIS PEQUEÑO	CHASIS MEDIANO	CHASIS GRANDE
A	16 3/16" pulgada (411 mm)	18 3/16" pulgada (462 mm)	20 3/8" pulgada (518 mm)
B	26 3/16" pulgada (665 mm)	20 3/16" pulgada (665 mm)	28 1/4" pulgada (718 mm)

NOTA: ESTAS DIMENSIONES SON PARA EL HUECO TERMINADO

FIGURA C - CONSTRUCCION PARA PAREDES

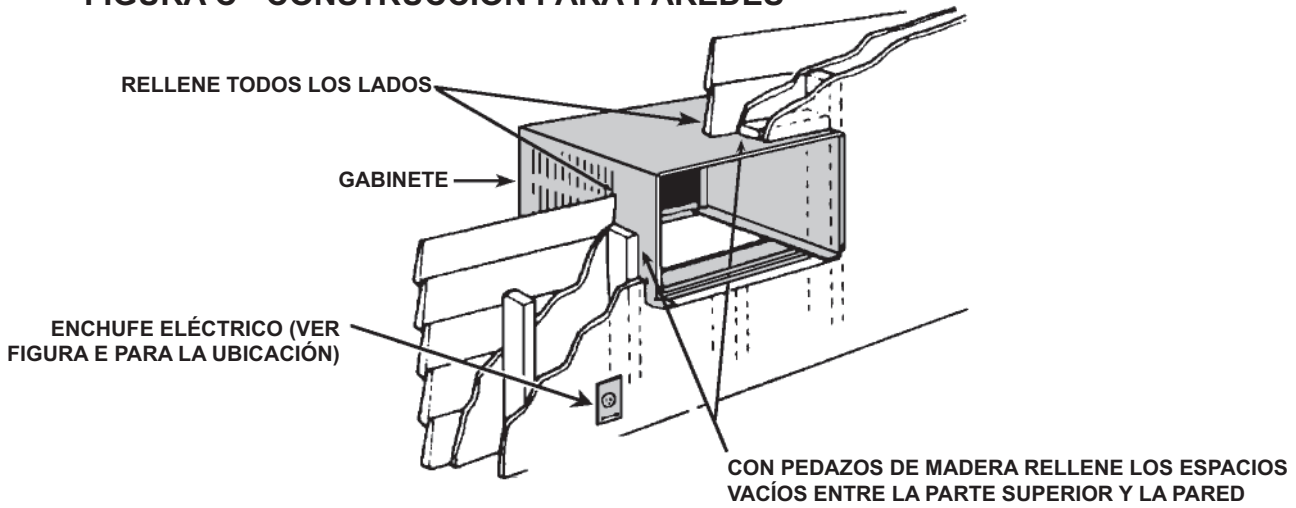


FIGURA D - CONSTRUCCION EN LADRILLO

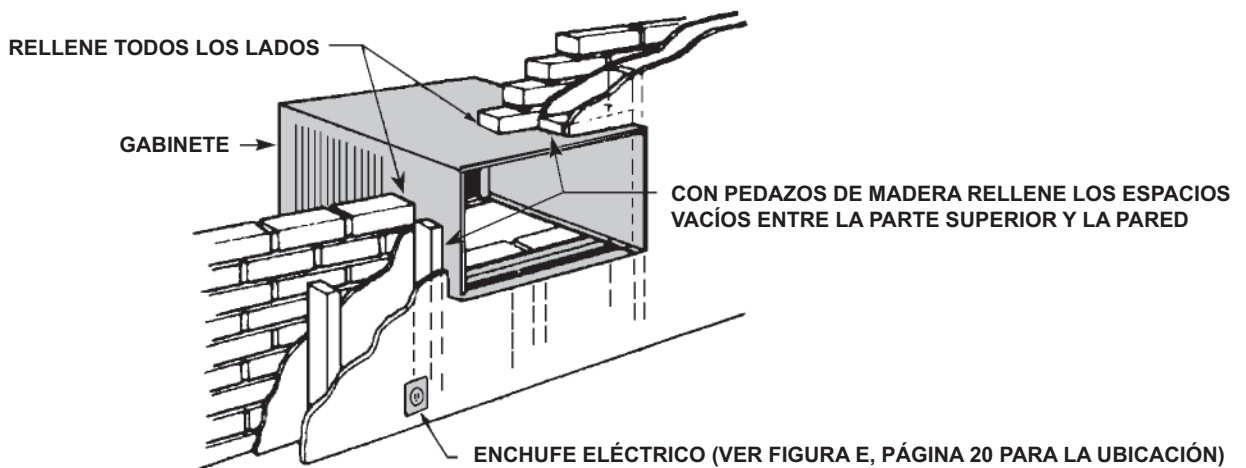


FIGURA E - CONSTRUCCION EN ALBAÑILERÍA SOLIDA

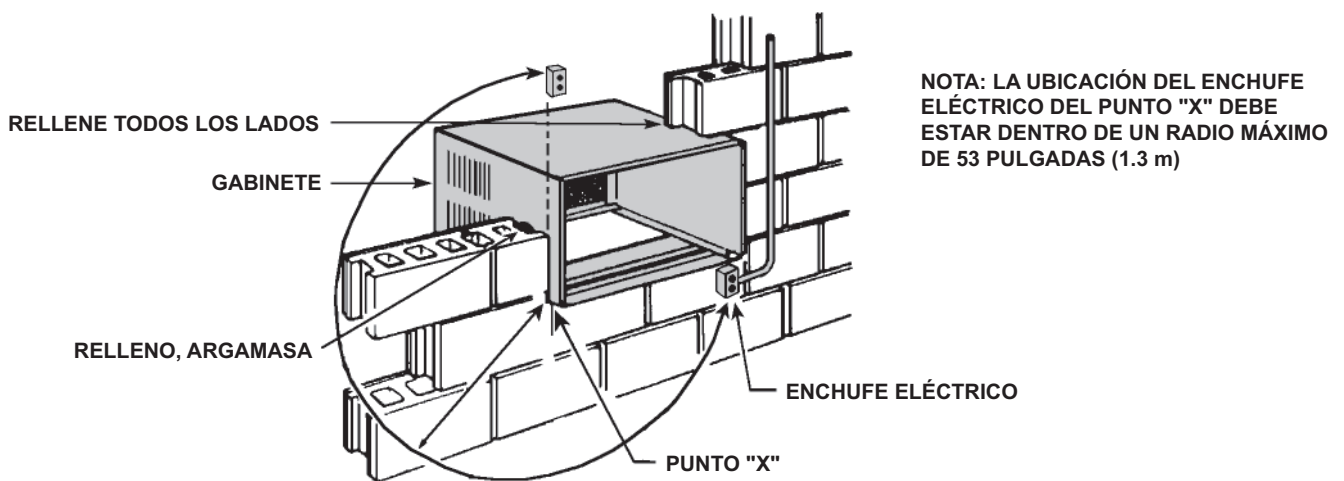
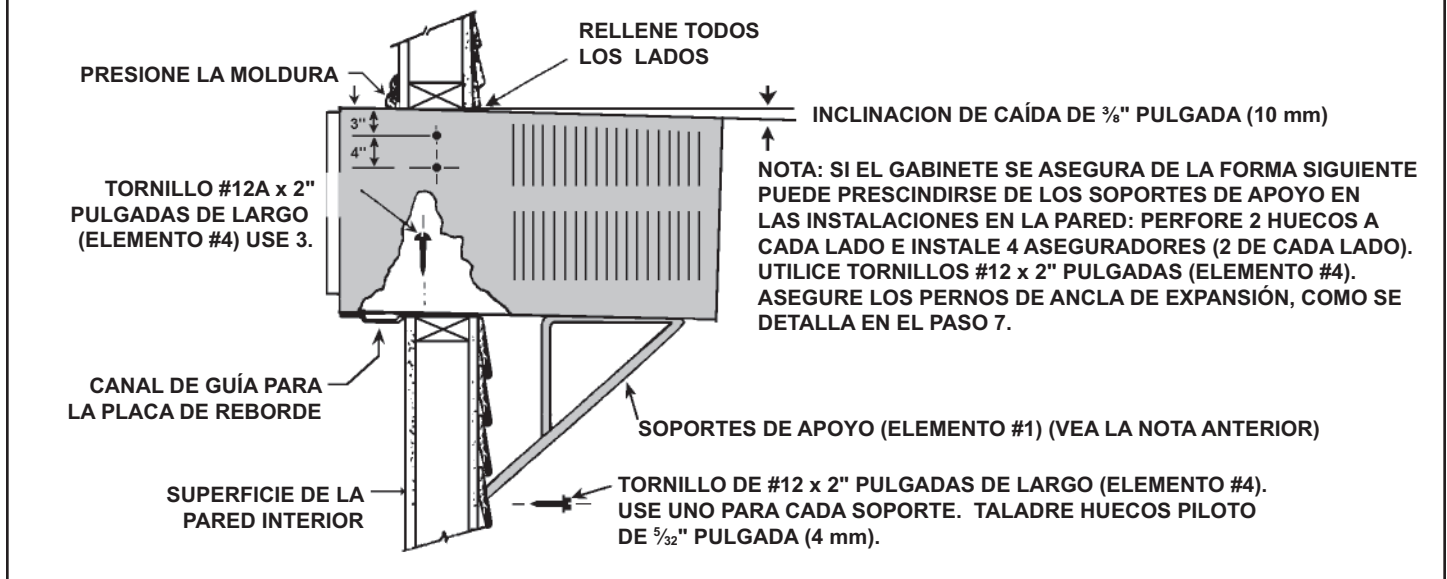


FIGURA F - INSTALACION TIPICA



PASO 6 Coloque el gabinete en el hueco lo suficiente para que permita que el canal guía del reborde de la ventana entre en contacto con la superficie interior de la pared (Ver Figura F).

PASO 7 Taladre tres (3) huecos de un diámetro de $\frac{5}{32}$ " pulgada (4 mm) en los huecos en la placa de reborde del marco e instale tres (3) tornillos largos #12A x 2" pulgadas. (Elemento #4) (Ver Figura F).

NOTA: Pueden usarse sujetadores adicionales para asegurar la placa a la pared y las repisas de soporte a la pared exterior. (Estos no se suministran, pero los encuentra en su ferretería local).



Tornillo articulado tipo Molly o ToggleTornillo con ancla de expansión

PASO 8 Taladre dos (2) huecos piloto de $\frac{5}{32}$ " pulgada (4 mm) de diámetro a cada lado en los sitios que se muestra (Ver Figure F) e instale cuatro (4) tornillos #12 x 2" pulgadas (Elemento #4). Si el paso 5 (construcción de huecos) resulta en un montaje sólido con vigas verticales sólidas, no se necesitan soportes de apoyo. La instalación debe poder resistir el peso del aparato más un peso adicional de 400 libras (185 kg) en la parte de atrás del gabinete.

Si los soportes de apoyo se incluyen con el aparato, pueden utilizarse para las instalaciones en la pared como puede verse en la Figura F.

Si la confiabilidad de resistencia de la pared esta en duda, se puede pedir un equipo para instalación en las ventanas que incluya los soportes de apoyo. (Vea la lista de los accesorios).

PASO 9 Si desea hacerlo, adorne el marco del lado de adentro del gabinete del cuarto con una moldura suministrada por el instalador (Ver Figure F).

PASO 10 Complete la instalación siguiendo los pasos 13 hasta el 18 de las **INSTRUCCIONES PARA LA INSTALACION DE LAS VENTANAS DE VIDRIERA**. Páginas 21 y 22.

PASO 11 Refiérase a la "**Guía de funcionamiento**" para instrucciones.

ACCESORIOS DISPONIBLES:

EQUIPO DC-2 PARA DRENAJE - PARTE NO. 01900235

En algunas instalaciones, se produce un exceso de condensación de agua debida a condiciones de extrema humedad y esto puede producir un goteo de agua indeseable en el patio a la entrada. El EQUIPO PARA DRENAJE DEL MODELO DC-2 (Parte No. 01900-235) puede instalarse para que drene el excedente de agua.

EQUIPOS PARA INSTALACION EN LAS VENTANAS

Las unidades "TwinTemp" de aire acondicionado (calor/frío) se despachan sin las partes para montarlas en las ventanas, ya que frecuentemente no se instalan en las ventanas. Para aquellos casos en los cuales estas unidades se instalan en las ventanas, hay equipos de instalación disponibles. Según el tamaño del chasis que se va a instalar debe pedir lo siguiente:

- WIKS para chasis pequeño
- WIKM para chasis mediano
- WIKL para chasis grande

LOS ACCESORIOS ANTERIORES SE PUEDEN PEDIR A SU DISTRIBUIDOR FRIEDRICH.

Instructions d'installation de climatiseur

REMARQUE - Ce manuel comprend les instructions d'installation dans une fenêtre ou à travers un mur. Les appareils de chaleur et de refroidissement TwinTemp® sont conçus pour une installation murale permanente. L'installation de l'appareil dans une fenêtre nécessitera une trousse d'accessoires appropriée disponible chez votre concessionnaire Friedrich.

IMPORTANT - LIRE EN PREMIER! ALIMENTATION ELECTRIQUE

IMPORTANT - Avant de commencer l'installation du climatiseur, vérifier les codes électriques locaux et les renseignements qui suivent.

Le climatiseur doit être branché sur une alimentation avec les mêmes caractéristiques (tension et fréquence) que celles indiquées sur la plaque sur le châssis. L'alimentation secteur doit être en courant alternatif. Ne pas utiliser du courant continu. Consulter le **GUIDE D'UTILISATION** pour déterminer le type de prise correcte pour ce modèle.

PROTECTION DU CIRCUIT - Un circuit surchargé est automatiquement la source de mauvais fonctionnement ou de panne du climatiseur. Il est donc particulièrement important de s'assurer que l'alimentation électrique est correcte. A cause d'une demande élevée momentanée à la mise en marche du climatiseur, il faut utiliser un fusible temporisé ou un disjoncteur HACR. En cas de doute, consulter le distributeur ou la compagnie d'électricité.

Consulter la plaque d'identification sur le châssis du climatiseur pour déterminer la capacité du fusible ou du disjoncteur à utiliser pour ce climatiseur (déterminer l'emplacement de la prise électrique sur la Figure E, page 40).

Le cordon d'alimentation est équipé d'une fiche à broche de mise à la terre approuvée et il faut utiliser une prise correspondante. **IL NE FAUT JAMAIS COUPER OU ENLEVER LA BROCHE DE MISE À LA TERRE DE LA FICHE.**

IL NE FAUT JAMAIS UTILISER DE RALLONGE AVEC UN CLIMATISEUR.

Les instructions suivantes s'appliquent aux groupes de modèles à châssis standard identifiés par les deux premières lettres d'identification du modèle et la taille de l'enveloppe donnée ci-dessous.

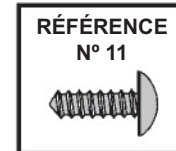
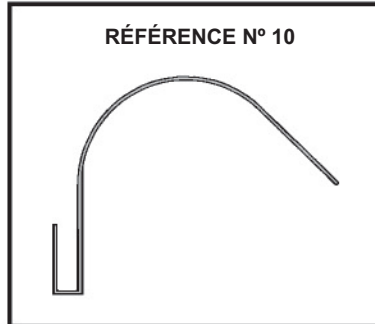
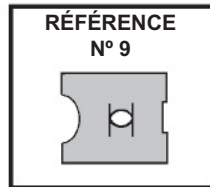
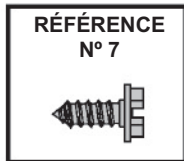
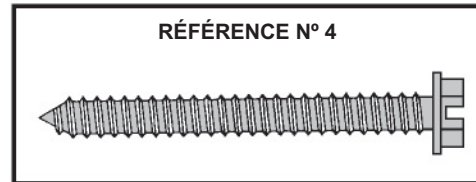
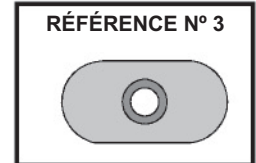
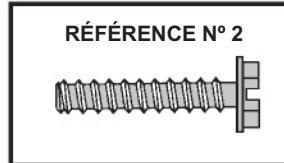
GROUPES	DIMENSIONS DE L'ENVELOPPE (H x L x P)
PETIT CHÂSSIS - SS, ES, YS, KS, RS	15 15/16" x 25 15/16" x 27 3/8" (405 mm x 660 mm x 695 mm)
CHÂSSIS MOYEN - SM, EM, YM, KM, RM	17 15/16" x 25 15/16" x 27 3/8" (455 mm x 660 mm x 695 mm)
GRAND CHÂSSIS - SL, EL, YL	20 3/16" x 28" x 33 5/8" (513 mm x 711 mm x 854 mm)

**QUINCAILLERIE D'INSTALLATION DU
DANS UNE FENÊTRE**

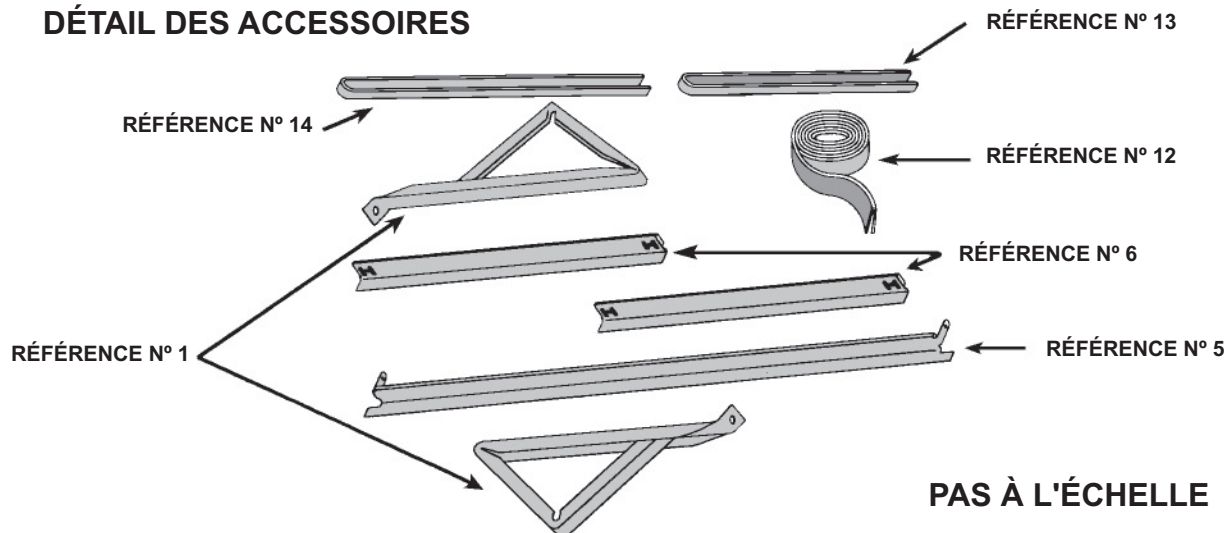
N° DE RÉF.	DESCRIPTION	QUANT.
PIÈCES D'INSTALLATION DE L'ENVELOPPE		
1	PATTE DE SUPPORT 2	
2	VIS À TÊTE 6 PANS 10-24x1"	4
3	ÉCROU PLAT 10-24	4
4	VIS POUR TÔLE N° 12A x 2"	7
INSTALLATION DES PANNEAUX LATÉRAUX		
5	PROFILÉ SUPÉRIEUR DE PANNEAU	1
6	PROFILÉ LATÉRAL DE PANNEAU	2
7	VIS POUR TÔLE N° 8A x 3/8"	2
PIÈCES D'INSTALLATION DE PANNEAU LATÉRAL		
8	PANNEAU (MASONITE) - (PAS MONTRÉ)	1
9	ÉCROU CLIP	4
10	AGRAFE DE PROFILÉ (ACIER À RESSORT)	4
11	VIS À TÊTE BOMBÉE PHILLIPS, N° 8A x 1/2"	4
JOINT DE FENÊTRE		
12	JOINT D'ÉTANCHÉITÉ (VINYLE)	1
13	JOINT D'ÉTANCHÉITÉ DE FENÊTRE (MOUSSE FONCÉE)	1
14	JOINT D'ÉTANCHÉITÉ DE CHÂSSIS (MOUSSE CLAIRE)	1

**QUINCAILLERIE D'INSTALLATION DU
À TRAVERS UN MUR**

N° DE RÉF.	DESCRIPTION	QUANT.
4	PIÈCES D'INSTALLATION	7
14	VIS POUR TÔLE N° 12A x 2" JOINT D'ÉTANCHÉITÉ DE CHASSIS (MOUSSE CLAIRE)	1

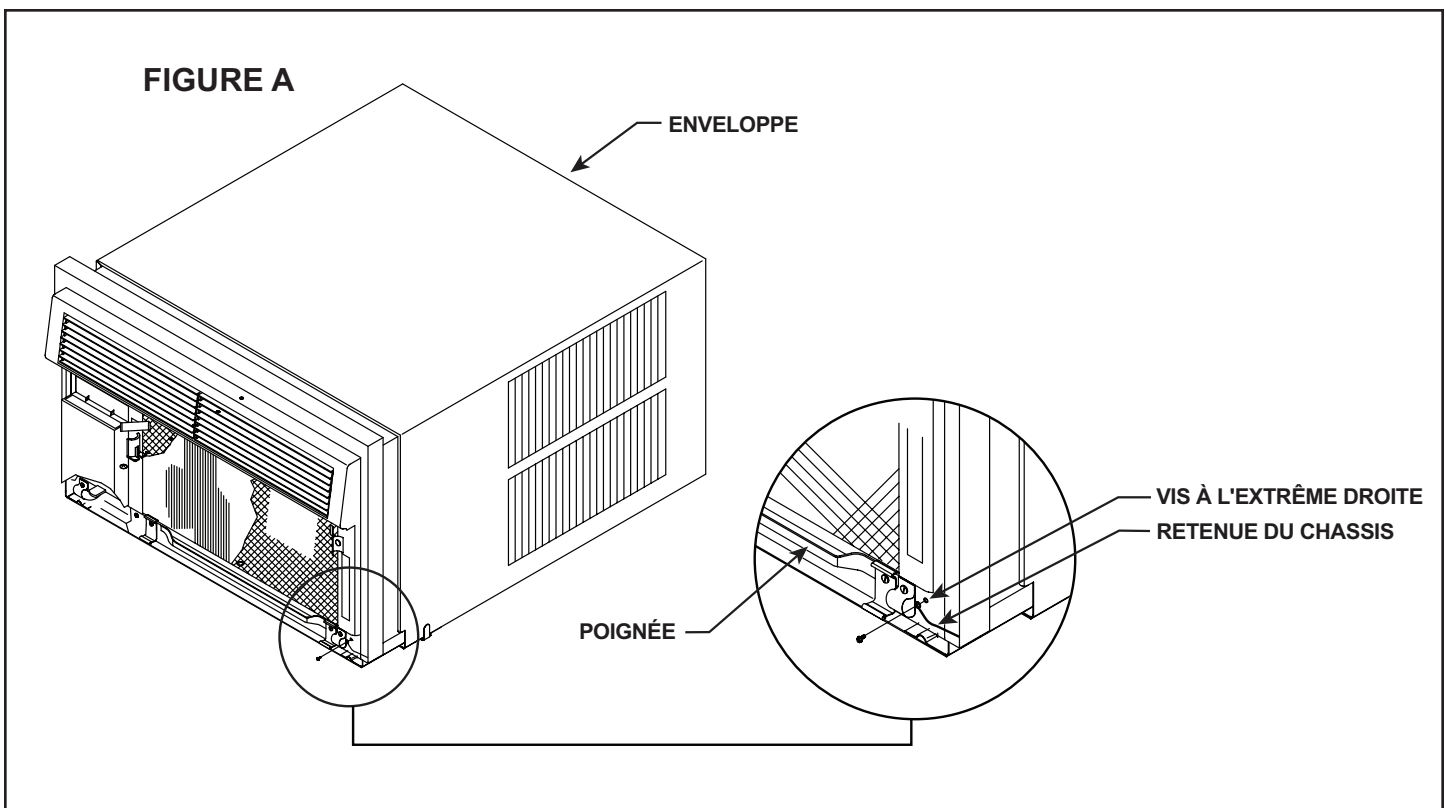


DÉTAIL DES ACCESSOIRES



INSTALLATION DANS UNE FENÊTRE À GUILLOTINE

- ÉTAPE 1** Enlever la grille décorative en plastique de retour d'air et la mettre de côté. Pour enlever la grille de retour d'air, tirer sur les côtés en haut ou en bas.
- ÉTAPE 2** Enlever également la quincaillerie d'installation et la mettre de côté.
- ÉTAPE 3** Enlever la vis du dispositif de retenue du châssis sur l'extrême droite du plateau (consulter la Figure A) ; conserver la vis pour reposer le dispositif de retenue du châssis après l'installation (Étape 15). Aussi, enlever et jeter les deux vis de retenue et les manchons de plastique qui se trouvent à l'arrière de l'appareil.
- ÉTAPE 4** Alors qu'un assistant tient l'enveloppe, tirer sur la poignée à l'avant du plateau (consulter la Figure A) pour sortir le châssis de l'enveloppe. Enlever les blocs en mousse blanche utilisés pour retenir le compresseur pendant le transport. Inspecter le plateau et jeter les blocs de mousse qui se sont déplacés. Il ne faut pas enlever d'autre bloc de mousse.



- ÉTAPE 5** Ancrer sur les boucles inférieures de la cornière latérale les profilés latéraux (réf. 6) en engageant les languettes à chaque extrémité de la plaque de seuil (consulter la Figure B, page 32). Engager les languettes à chaque extrémité du profilé supérieur (réf. 5) sur les boucles supérieures du profilé latéral (consulter la Figure B, page 32). Installer deux vis (réf. 7) pour maintenir les languettes du profilé supérieur et des profilés latéraux sur l'enveloppe (consulter la Figure B, page 32).
- ÉTAPE 6** Vérifier que le seuil et le bâti de la fenêtre sont en bon état et bien ancrés au mur. Réparer selon le besoin.
- ÉTAPE 7** **INSTALLATION DE L'ENVELOPPE** - Soulever le panneau inférieur de la fenêtre à $\frac{1}{4}$ " (6 mm) au-dessus de la hauteur de l'enveloppe. Glisser avec précaution l'enveloppe dans l'ouverture de la fenêtre jusqu'à ce que le profilé de la plaque de seuil repose derrière le seuil de la fenêtre et que le haut repose contre la fenêtre (consulter la Figure C, page 32). Centrer la fenêtre latéralement et percer trois trous pilotes de $\frac{5}{32}$ " (4 mm) de diamètre dans le seuil de la fenêtre en utilisant la plaque du seuil de l'enveloppe comme guide. Installer trois vis n° 12A x 2" (réf. 4), consulter la Figure C, page 32.

FIGURE B

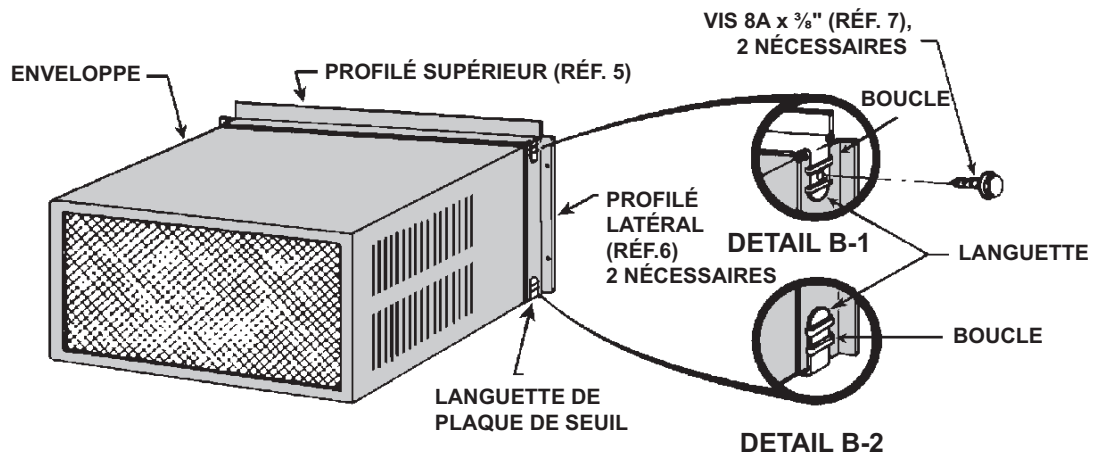


FIGURE C

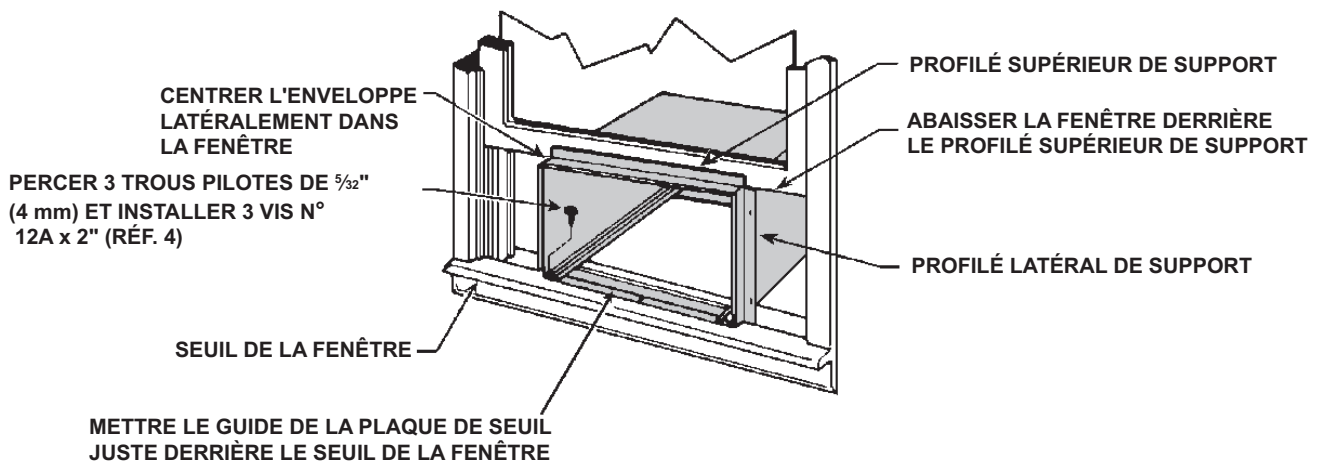
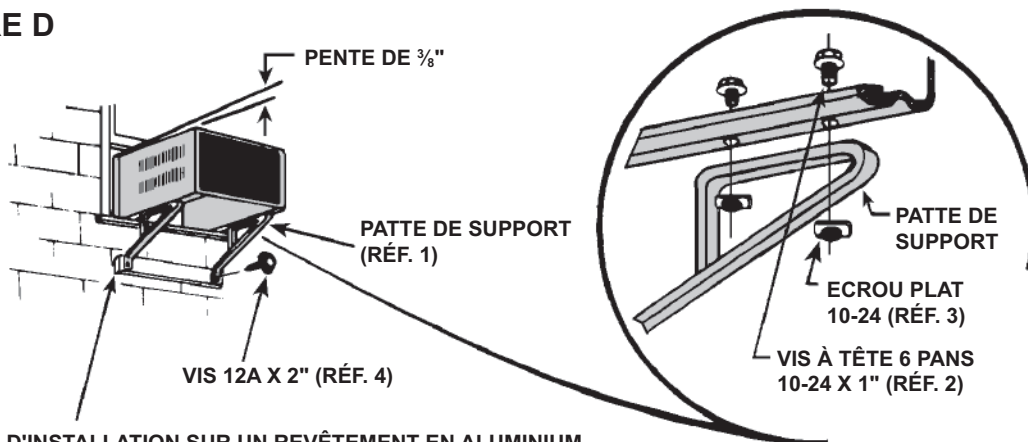


FIGURE D



EN CAS D'INSTALLATION SUR UN REVÊTEMENT EN ALUMINIUM, EN AMIANTE OU EN VINYLE, IL FAUT UTILISER UNE CALE DE 1" x 4" OU 2" x 4" ENTRE LE MUR ET LA PATTE.

ÉTAPE 8 INSTALLATION DU SUPPORT EXTÉRIEUR - Assembler les pattes de support (réf. 1) sur les profilés inférieurs de l'enveloppe, avec quatre vis de 10-24 x 1" (réf. 2) et quatre écrous 10-24 (réf. 3). Régler les pattes de support pour amener les patins inférieurs en contact avec la surface du mur. **EN CAS D'INSTALLATION SUR UN REVÊTEMENT EN ALUMINIUM OU DE VINYLE, IL FAUT METTRE UNE CALE DE 1" x 4" ou 2" x 4" ENTRE LE MUR ET LES PATTES DE SUPPORT.** Percer des trous pilotes de $\frac{5}{32}$ " (4 mm) de diamètre et maintenir en place les pattes sur mur avec deux vis n° 12A x 2" (réf. 4). Régler les pattes de support pour fournir une pente de $\frac{3}{8}$ " (10 mm) vers l'extérieur pour l'écoulement (consulter la Figure D, page 32). Serrer toutes les vis.

REMARQUE : L'alimentation en air, l'entrée d'air, les entrées et sorties d'air du condensateur ne doivent jamais être obstruées afin d'éviter toute recirculation d'air chaud rejeté.

Les illustrations ci-dessous montrent une installation standard avec un cadre, ainsi que certaines suggestions pour adapter une patte de support sur des murs épais et des pièces d'appui en pierres larges.

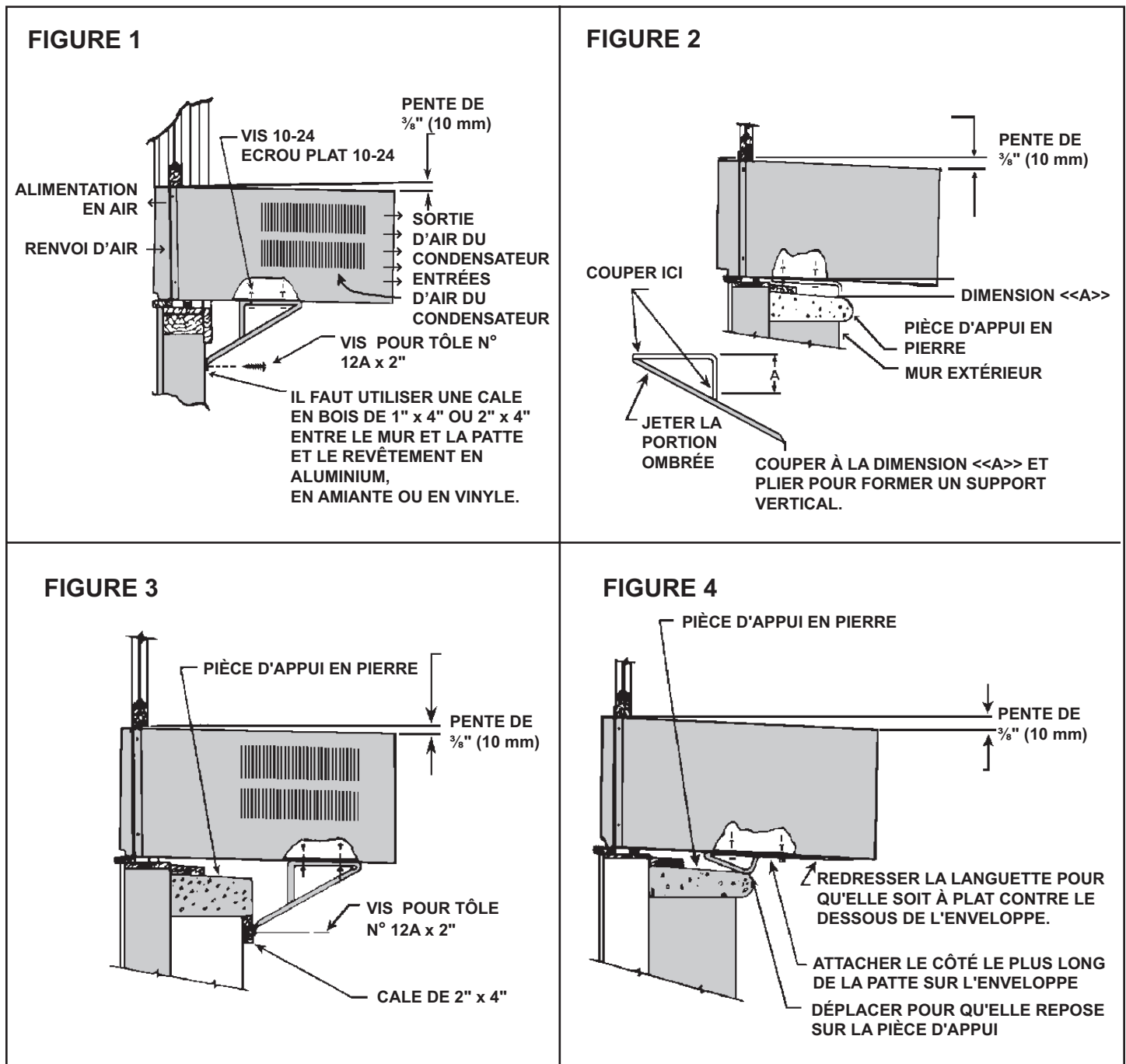
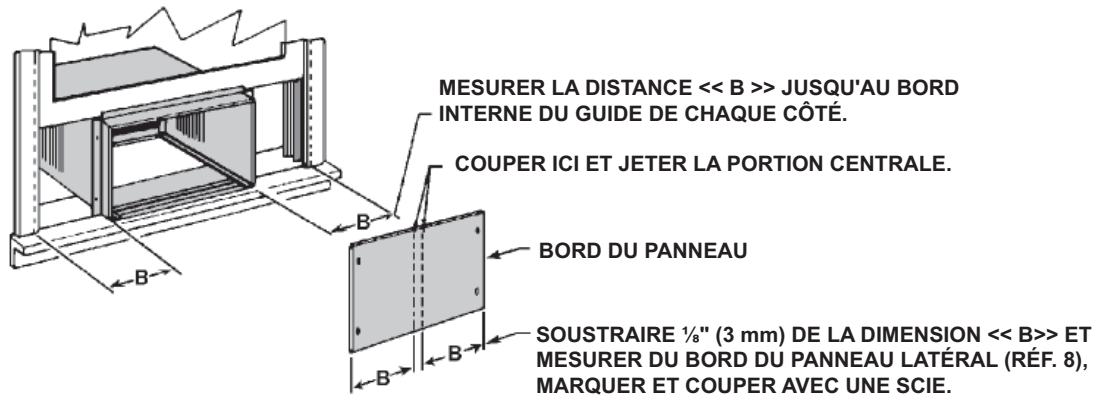
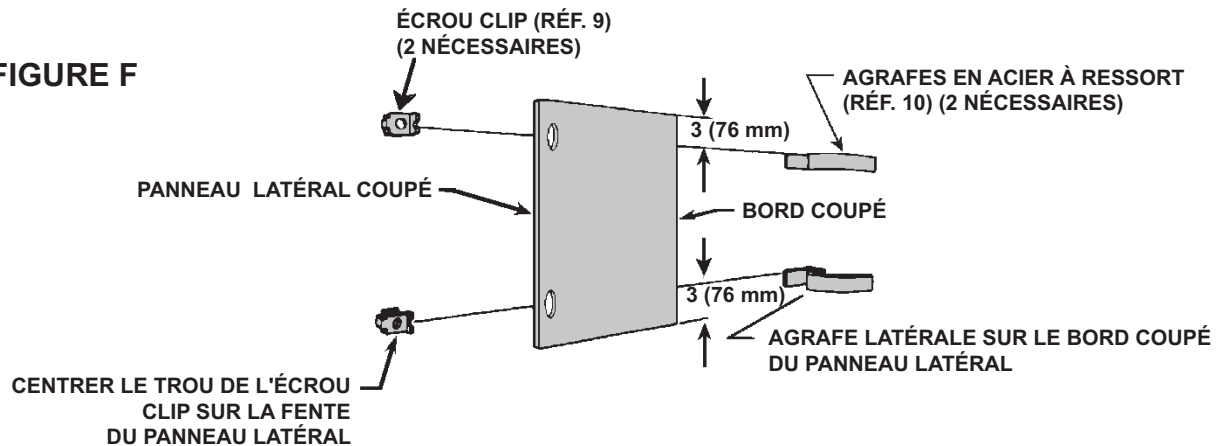


FIGURE E

ÉTAPE 9 **COUPE DES PANNEAUX LATÉRAUX** - Mesurer et couper les panneaux latéraux dans la masonite fournie (réf. 8) pour remplir les espaces entre les guides de fenêtre latéraux et les côtés de l'enveloppe.

REMARQUE - APRÈS AVOIR COUPÉ LES PANNEAUX ET AVANT D'ALLER À L'ÉTAPE 10, VÉRIFIER QU'ILS REMPLISSENT LES OUVERTURES AVEC UN ESPACE D'ENVIRON 1/8" (3 mm).

ÉTAPE 10 **INSTALLATION DES AGRAFES SUP LES PANNEAUX LATÉRAUX** - Installer les écrous clips (réf. 9) et les agrafes en acier à ressort (réf. 10) sur les bords coupés des panneaux latéraux (consulter la Figure F).

FIGURE F

ÉTAPE 11 **INSTALLATION DES PANNEAUX LATÉRAUX** - Vérifier que l'enveloppe a été montée fermement sur le seuil de la fenêtre et que les pattes de support extérieures ont été installées comme montré sur les Figures C et D de la page 32. Soulever la fenêtre et installer les panneaux latéraux de droit et de gauche (consulter la Figure G, page 35).

ÉTAPE 12 **INSTALLATION DES JOINTS D'ÉTANCHÉITÉ DE LA FENÊTRE** - Mesurer et couper à la largeur de la fenêtre le joint d'étanchéité de fenêtre en vinyle (réf. 12, couleur grise) et l'installer comme montré sur la Figure H, page 35. Abaisser la fenêtre derrière le joint. Mesurer et couper le joint d'étanchéité de fenêtre en mousse noire (réf. 13) et l'installer entre le panneau supérieur de vitre et la partie supérieure de la fenêtre inférieure (consulter la Figure H, page 35).

REMARQUE - POUR DES RAISONS DE SÉCURITÉ ET DE SÛRETÉ, LE CLIENT DOIT FOURNIR UN MOYEN D'EMPÊCHER L'OUVERTURE DE LA FENÊTRE DE L'EXTÉRIEUR.

FIGURE G

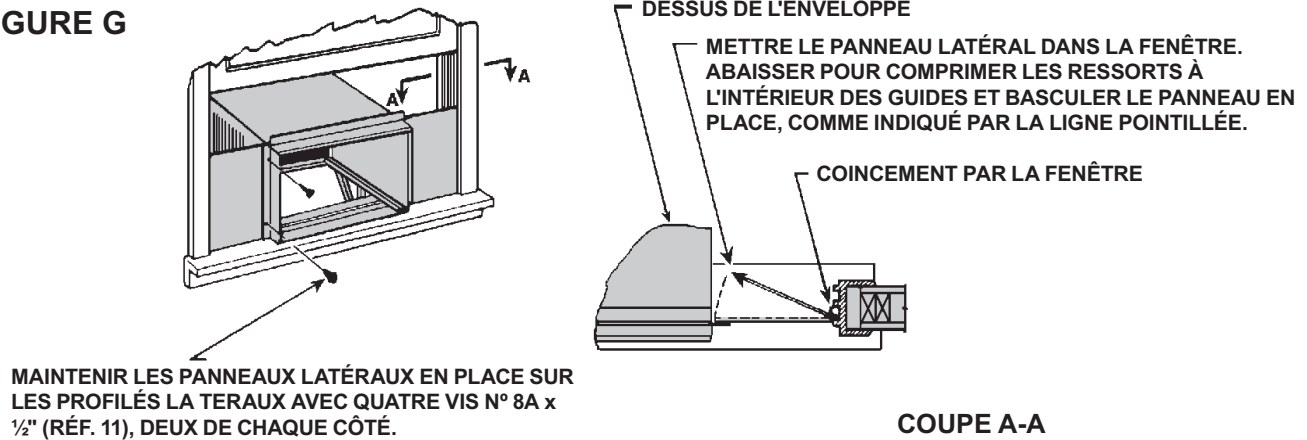
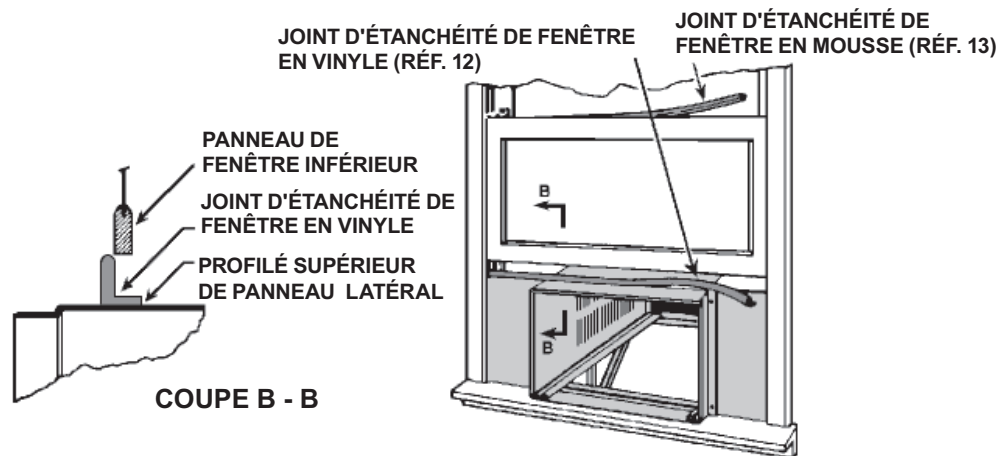


FIGURE H



ÉTAPE 13 Dans la mesure du possible, appliquer du mastic de type industriel à l'extérieur de l'installation pour éviter les fuites d'air.

ÉTAPE 14 **INSTALLATION DU CHÂSSIS** - Après avoir installé l'étagère, glissez le châssis dans la garde de retenue jusqu'à environ 7,6 cm (3 po) de l'insertion complète. Enfoncez le joint d'étanchéité du châssis de 2,54 cm (1 po) profondément entre le châssis et l'étagère (voir le croquis I). Commencer dans un des coins, monter sur un côté, traverser en haut et descendre de l'autre côté. Par la suite, poussez le châssis complètement au fond de l'étagère de sorte que la devanture de plastique soit de niveau avec le devant de celle-ci.

Si le joint d'étanchéité du châssis n'est pas installé, l'appareil ne fonctionnera pas comme il se doit. Le bruit dû au fonctionnement et les bruits provenant de l'extérieur seront également amplifiés.

ÉTAPE 15 Reposer le dispositif de retenue du châssis avec la même vis qu'à l'étape 3 (consulter la Figure A, page 31).

ÉTAPE 16 **OPTION** - Le fabricant installe la corde d'alimentation de manière à ce qu'elle sorte du côté gauche de l'appareil. Si le consommateur le désire, le fabricant peut fournir une corde d'alimentation qui sorte du côté droit de l'appareil. Pour ce faire, enlevez l'attache de la corde en caoutchouc noir sous la vis située à l'extrémité gauche. (Voir le croquis I, à la page 36) Replacez cette vis dans le trou situé à l'extrémité gauche. Faites passer la corde d'alimentation par-dessus les agrafes de la grille de reprise d'air et rattachez l'agrafe au trou de vis adjacent. (Croquis I et J, à la page 36) Détachez l'agrafe du côté droit et faites passer la corde d'alimentation à travers, puis rattachez-la. La corde d'alimentation devrait être tirée vers le haut de sorte qu'elle ne repose pas sur les agrafes de la grille de reprise d'air.

FIGURE I

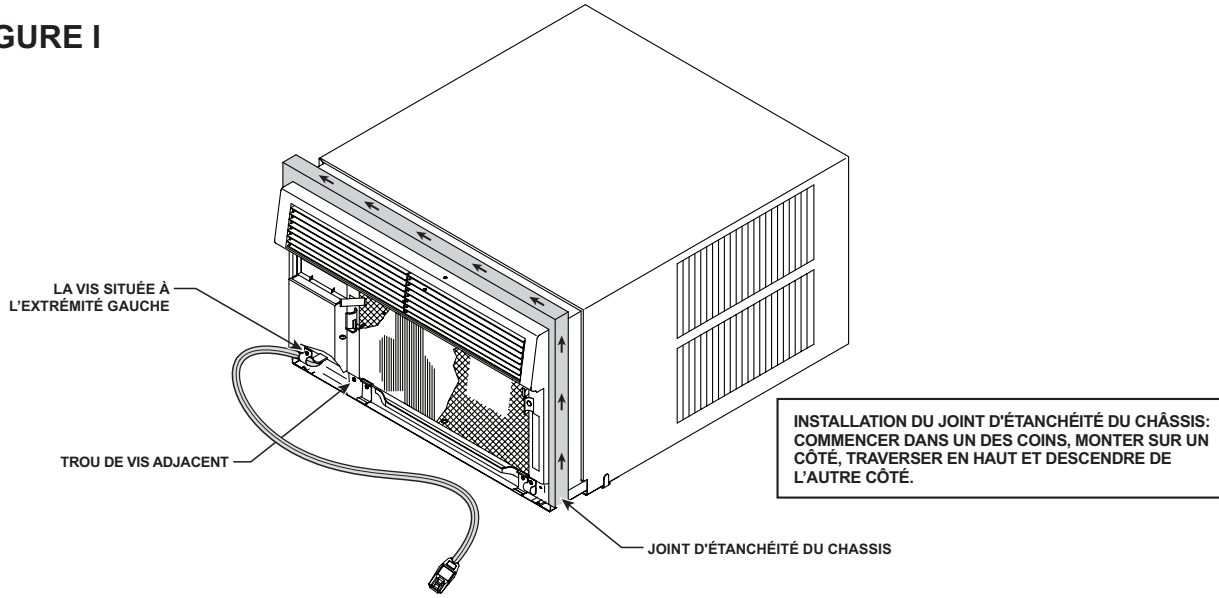
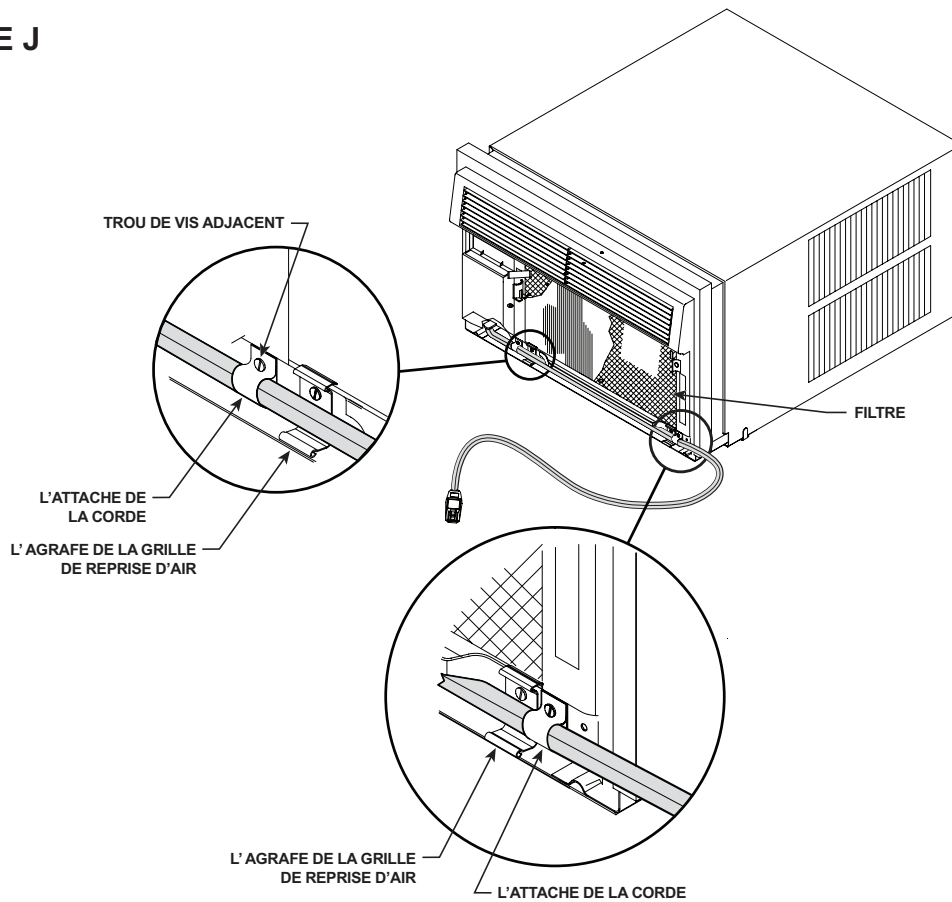
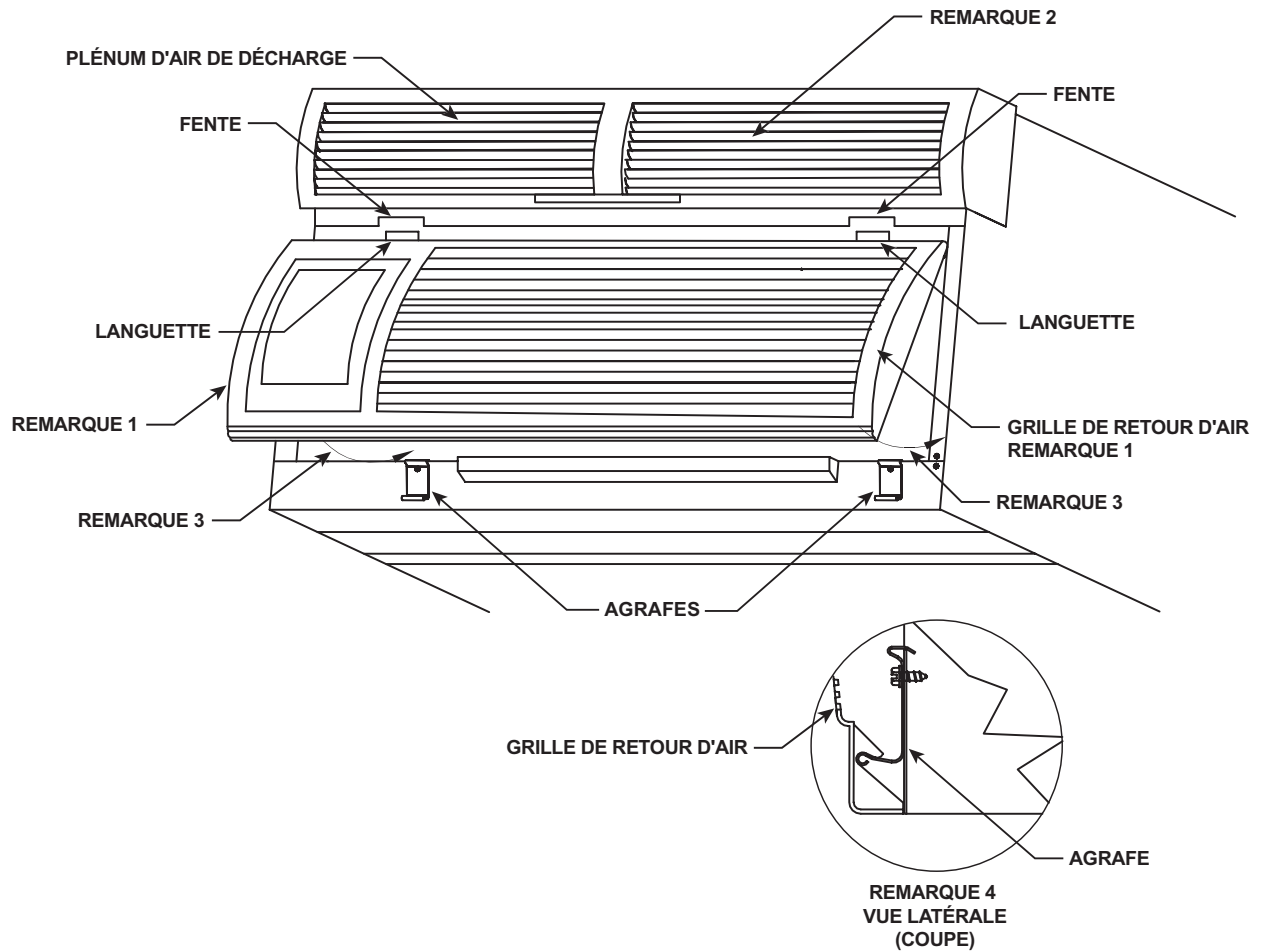


FIGURE J

**ÉTAPE 17**

Vérifier que le filtre est en position avant d'installer la grille de retour d'air (consulter la Figure J) et que le cordon électrique ne gêne pas l'installation (consulter l'étape 16).

FIGURE K



ÉTAPE 18 Supporter la grille des deux côtés, près du bas (consulter la Figure K, Remarque 1). Soulever et engager les languettes de la grille dans les fentes supérieures en bas du plénum de décharge d'air (consulter la Figure K, Remarque 2). Enfoncer la grille en place en la poussant vers le haut dans les agrafes inférieures de l'appareil (consulter la Figure K, Remarques 3 et 4).

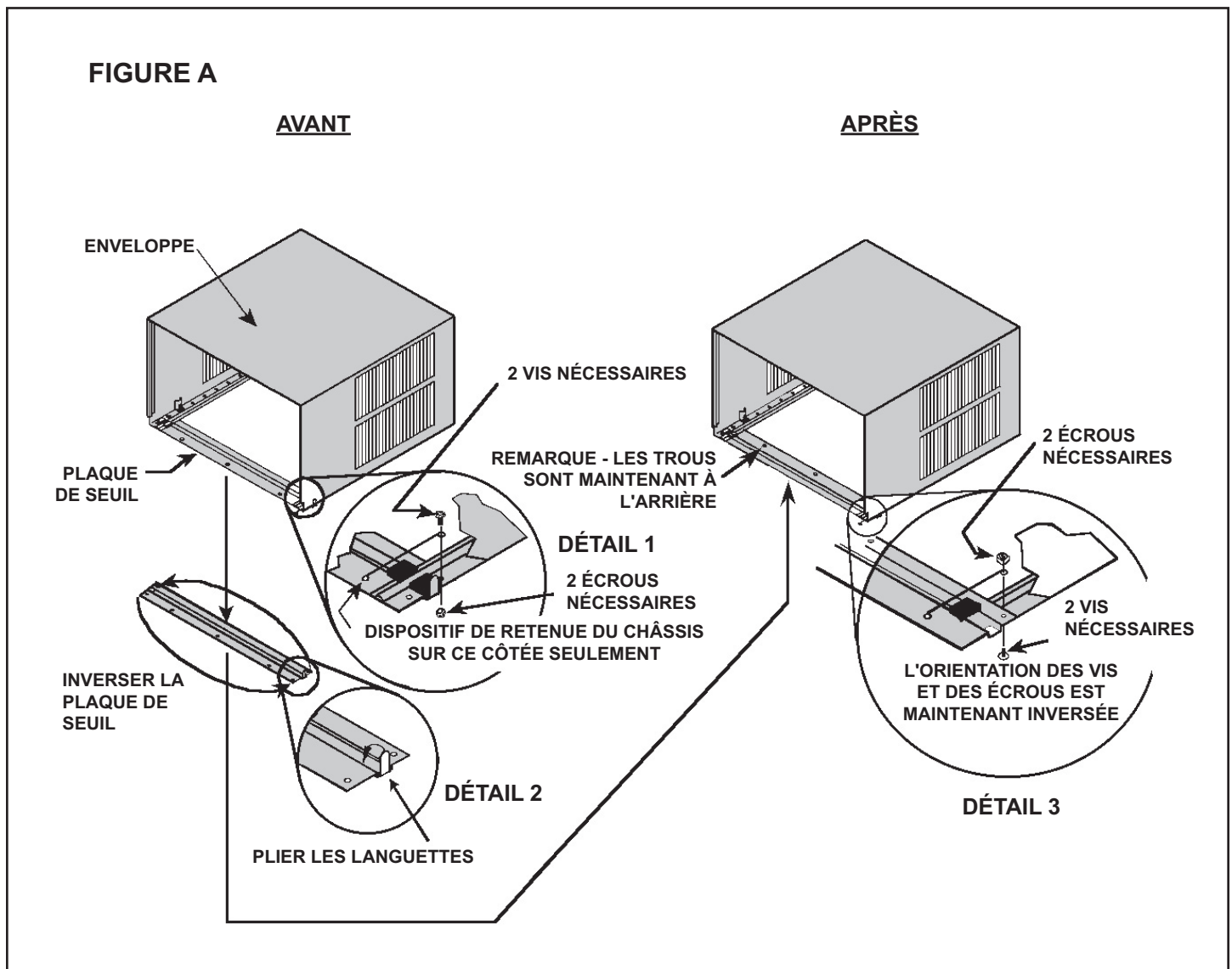
ÉTAPE 19 Consulter les instructions du **GUIDE D'UTILISATION**.

INSTALLATION À TRAVERS UN MUR

Les instructions suivantes s'appliquent aux installations dans le bois, la maçonnerie, la brique, le ciment ou les parpaings.

ÉTAPE 1 Suivre les étapes 1, 2, 3 et 4 des instructions d'INSTALLATION STANDARD DANS UNE FENÊTRE À GUILLOTINE.

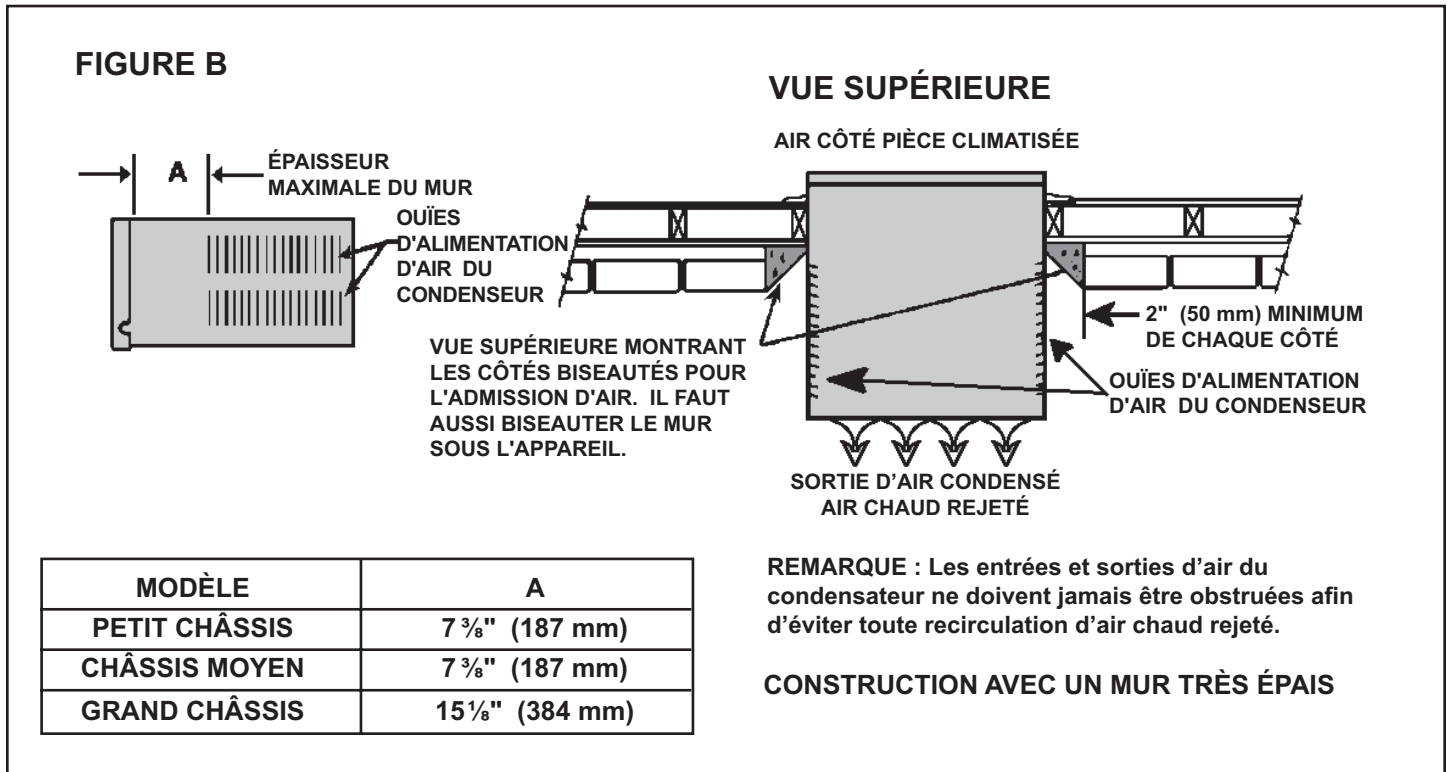
ÉTAPE 2 PRÉPARATION DE L'ENVELOPPE - Enlever les quatre écrous et vis retenant la plaque du seuil de l'enveloppe et déposer la plaque. Il faut noter que le dispositif de retenue du châssis est maintenu en position sur la droite par un écrou et une vis (consulter Détail 1, Figure A). Plier dans le guide les languettes de la plaque de seuil, aux deux extrémités de la plaque, ou les couper (consulter Détail 2, Figure A). Inverser la plaque de seuil, d'une extrémité à l'autre, et la reposer. Inverser l'orientation des écrous et des vis pour que la tête des vis soit sur la base de l'enveloppe, vers le haut et l'écrou, en dessous, vers le bas (consulter Détail 3, Figure A). Vérifier que le dispositif de retenue du châssis est installé comme montré dans le détail.



ÉTAPE 3

PRÉPARATION DU MUR - L'épaisseur maximum du mur sans construction spéciale est déterminée par la taille du modèle à installer. **LES OUÏES DE L'ENVELOPPE D'ALIMENTATION D'AIR DU CONDENSEUR NE DOIVENT PAS ÊTRE RECOUVERTES PAR LE MUR.** Il faut respecter l'épaisseur maximale du mur montrée sur le tableau et le schéma de la Figure B.

INSTRUCTIONS SPÉCIALES POUR LES MURS TRÈS ÉPAIS - Pour installation dans les murs dont l'épaisseur est supérieure à celle montrée sur le tableau, il est possible de suivre la construction suivante.

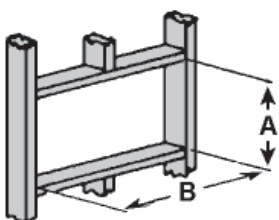
**ÉTAPE 4**

VÉRIFICATION DU CABLAGE ET DE LA PLOMBERIE - Vérifier qu'il n'y a aucun fil ni tuyau à l'endroit de la coupe dans le mur.

ÉTAPE 5

CONSTRUCTION DE L'OUVERTURE - Tracer l'ouverture pour les dimensions de l'appareil à installer, en suivant le tableau ci-dessous. Couper et faire un cadre aux dimensions finies. Utiliser des montants de 2" x 4" et suivre les instructions d'installation typique suggérées dans les Figures C, D ou E à la page 40.

REMARQUE - SI LA CONSTRUCTION DU MUR EST TYPIQUE, CADRE OU MONTANTS 2 x 4 AVEC PAREMENT DE BRIQUES OU DE PIERRE, METTRE L'OUVERTURE PRÈS D'UN MONTANT. POUR LES MURS EN MAÇONNERIE, EN BÉTON OU EN PARPAINGS, METTRE L'OUVERTURE OÙ C'EST PRATIQUE.



DIMENSIONS FINIES	PETIT CHÂSSIS	MOYEN CHÂSSIS	GRAND CHÂSSIS
A	16 3/16" (411 mm)	18 3/16" (462 mm)	20 3/8" (518 mm)
B	26 3/16" (665 mm)	26 3/16" (665 mm)	28 1/4" (718 mm)

REMARQUE - CE SONT LES DIMENSIONS FINIES DE L'OUVERTURE.

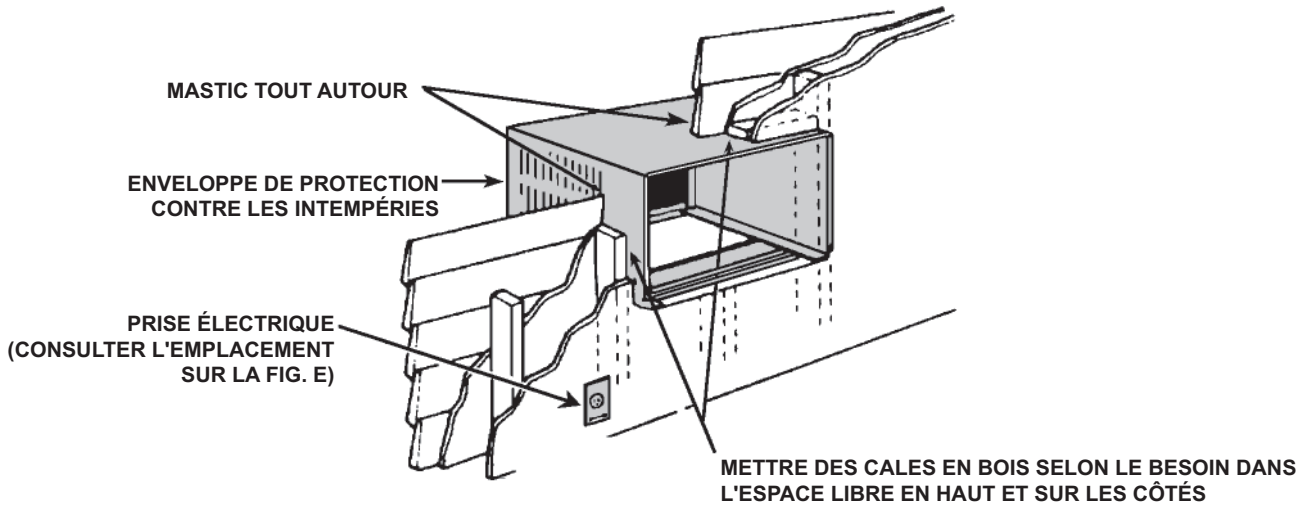
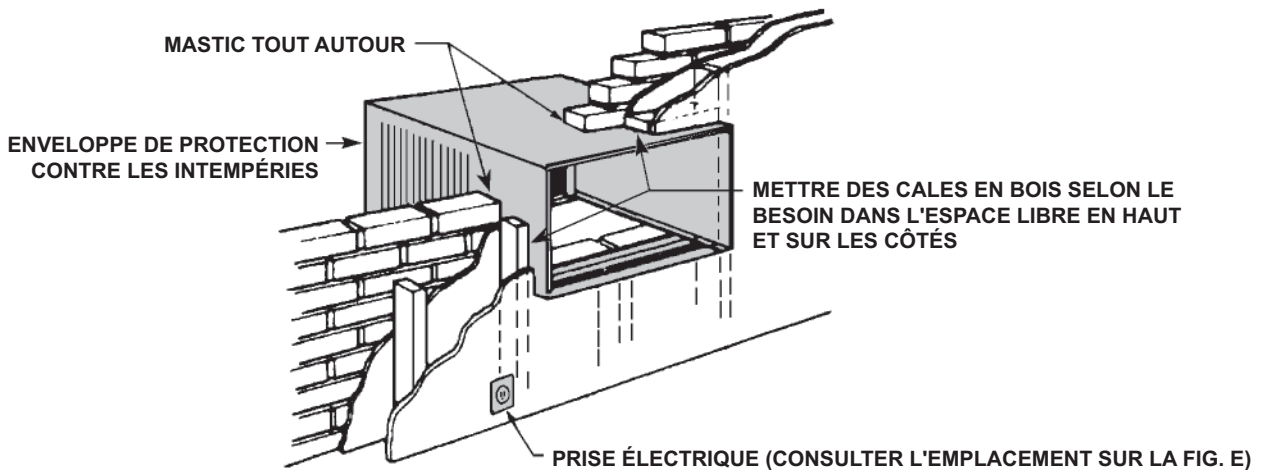
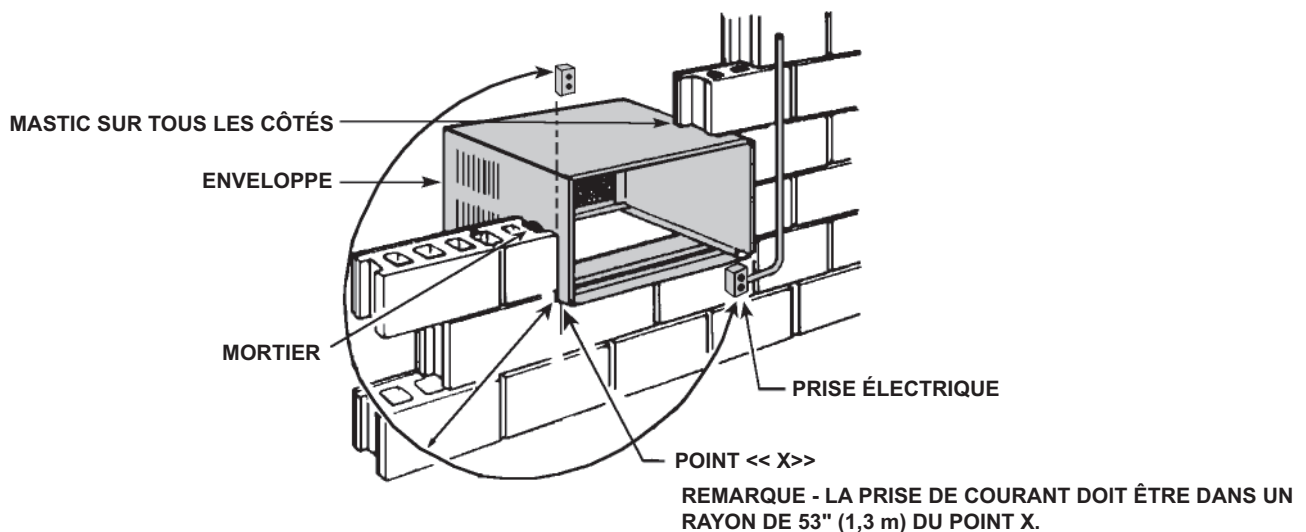
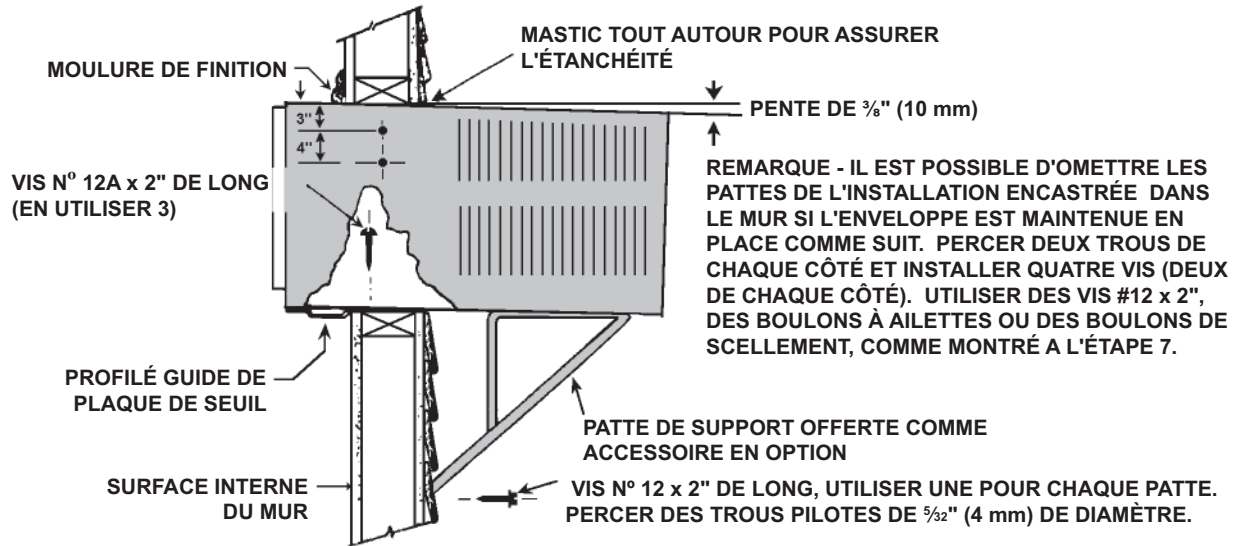
FIGURE C CONSTRUCTIONS AVEC UN CADRE EN BOIS**FIGURE D CONSTRUCTION AVEC PAREMENT DE BRIQUE****FIGURE E CONSTRUCTION EN MAÇONNERIE SOLIDE**

FIGURE F **INSTALLATION TYPIQUE**

ÉTAPE 6 Glisser l'enveloppe dans l'ouverture, assez loin pour permettre au guide de la plaque de seuil de faire contact sur la surface interne du mur (consulter la Figure F).

ÉTAPE 7 Percer trois trous pilotes de $\frac{5}{32}$ " (4 mm) de diamètre à travers les trous de la plaque de seuil et dans le cadre et installer trois vis n° 12A x 2" (consulter la Figure F).

REMARQUE - AUTRES ACCESSOIRES DE VISSERIE QU'IL EST POSSIBLE D'UTILISER POUR INSTALLER LA PLAQUE DE SEUIL DANS LE MUR ET LES PATTES DE SUPPORT SUR LE MUR EXTÉRIEUR (PAS FOURNIES, MAIS DISPONIBLES DANS LES QUINCAILLERIES).

**BOULON À AILETTES****BOULON DE SCÈLEMENT**

ÉTAPE 8 Percer deux trous pilotes de $\frac{5}{32}$ " (4 mm) de diamètre de chaque côté, aux emplacements montrés (consulter la Figure F, page 41), et installer quatre vis #12A x 2" (réf. 4, page 30). Aucune patte de support n'est nécessaire tant que l'étape 5 (construction de l'ouverture) fournit un support robuste avec des montants verticaux solides. L'installation doit supporter le poids de l'appareil, plus un poids supplémentaire de 400 livres (185 kg) sur l'arrière de l'enveloppe.

Si des pattes de support sont disponibles, il est certainement possible de les utiliser pour une installation encastrée comme montré à la Figure F, page 41.

Si la résistance du mur est douteuse, il est possible de commander un kit d'installation dans une fenêtre comprenant les pattes de support (consulter l'Accessoires).

ÉTAPE 9 Si désiré, installer une moulure de finition autour de l'enveloppe, côté pièce (consulter la Figure F, page 41).

ÉTAPE 10 Terminer l'installation en suivant les étapes 13 à 18 des **INSTRUCTIONS D'INSTALLATION DANS UNE FENÊTRE À GUILLOTINE**, pages 35 et 36.

ÉTAPE 11 Consulter les instructions dans le **GUIDE D'UTILISATION**.

ACCESSOIRES

KIT DE D'ÉCOULEMENT DC-2 - N° DE PIÈCE 01900235

Dans certaines installations, des conditions extrêmement humides peuvent former un excès de condensation qui s'égoutte sur une terrasse ou au-dessus d'une entrée. Il est possible d'installer le KIT D'ÉCOULEMENT MODÈLE DC-2 (N° DE PIÈCE 01900-235) pour évacuer le trop plein.

KITS D'INSTALLATION DANS UNE FENÊTRE

Les climatiseurs TwinTemp ou Heat/Cool (chaud/froid) sont expédiés sans quincaillerie d'installation dans une fenêtre parce qu'ils sont rarement installés dans une fenêtre. Il existe des kits d'installation dans une fenêtre dans les cas où une telle installation serait nécessaire. Commander un des kits suivants en fonction de la taille du châssis:

- WIKS pour les petits châssis
- WIKM pour les châssis moyens
- WIKL pour les grands châssis

IL EST POSSIBLE DE COMMANDER CES ACCESSOIRES CHEZ LE DISTRIBUTEUR FRIEDRICH.

Friedrich[®]

FRIEDRICH AIR CONDITIONING CO.

Post Office Box 1540 · San Antonio, Texas 78295-1540

4200 N. Pan Am Expressway · San Antonio, Texas 78218-5212

(210) 357-4400 · FAX (210) 357-4480

www.friedrich.com

Printed in the U.S.A.

920-036-05 (10-04)