

*Frigidaire*

Factory Parts Catalog

|                           |               |               |
|---------------------------|---------------|---------------|
| Product No.               | FEC36C4ACD    | FEC36C4ASD    |
|                           | 38054411510C4 | 3805441151014 |
| Series                    | 36" elec      | 36" elec      |
| Color                     | stainless     | white         |
| Market                    | North America | North America |
| Wiring Diagram            | 318046901     | 318046901     |
| Owner's Guide             | 318200612     | 318200612     |
| Installation Instructions | 318201410     | 318201410     |

 **Electrolux**

ELECTROLUX HOME PRODUCTS, INC.  
P.O. Box 212378, Augusta, GA 30917

Publication No.  
**5995402970**  
04/01/30  
(EN/SERVICE/ECL)  
377

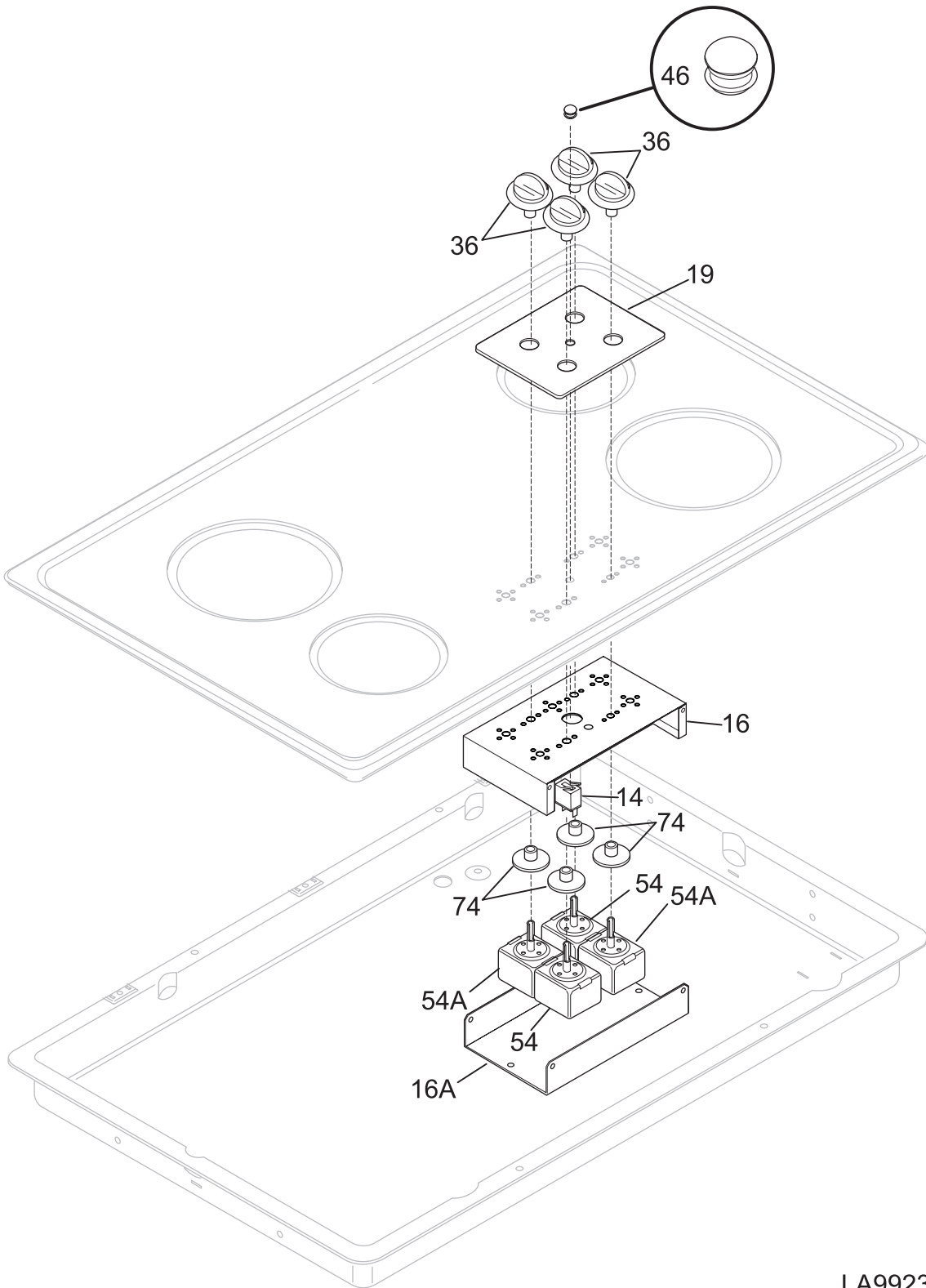
**ELECTRIC COOK-TOP  
RANGE**

Model No.  
**FEC36C4A**

Copyright © 2004 Electrolux Home Products, Inc.  
All rights reserved.

**CONTROL PANEL**

---



LA9923G39A

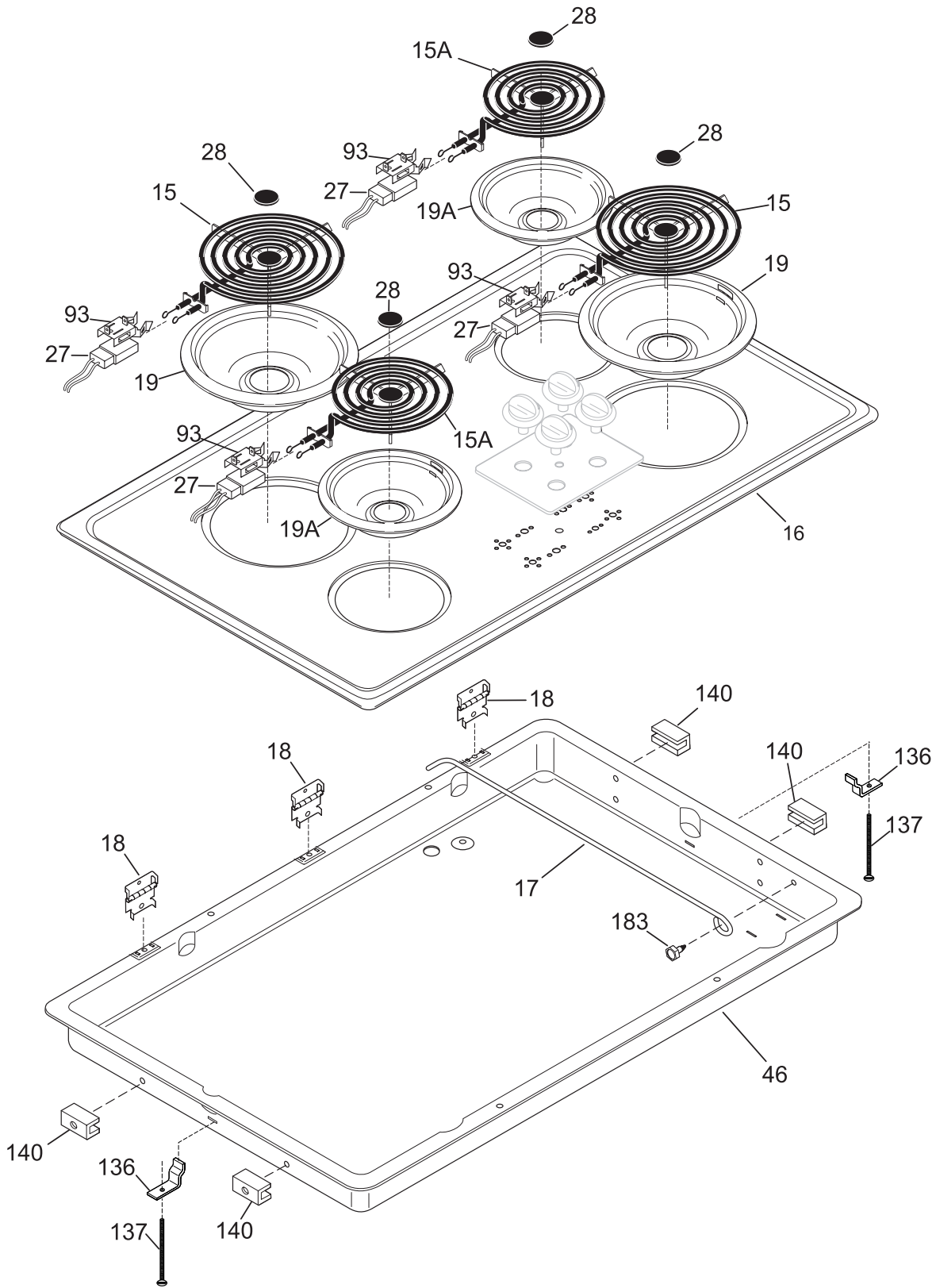
### CONTROL PANEL

---

*Model Index:*   A FEC36C4A (FEC36C4ASD)  
                           B FEC36C4A (FEC36C4ACD)

| POS. NO | PART NO.   |     | DESCRIPTION                  |
|---------|------------|-----|------------------------------|
| 14      | 5303323991 | A B | Lamp, indicator              |
| 16      | 3200422    | A B | Plate, instrument mtg        |
| 16A     | 3200430    | A B | Cover, instrument mtg.       |
| 19      | 318183505  | A - | Insert, white                |
| 19      | 318183506  | - B | Insert, black                |
| 36      | 318196633  | A - | Knob, control, white         |
| 36      | 318196634  | - B | Knob, control, black         |
| 46      | 5303200418 | A B | Lens, indicator light        |
| 54 #    | 318220014  | A B | Switch, surface unit, small  |
| 54A#    | 318220015  | A B | Switch, surface unit, large  |
| *       | 5303305528 | A B | Screw, 8-32 x 1/4            |
| 74      | 318146010  | A B | Bushing, switch              |
| *       | 5304410665 | A B | Screw, 10-32 x 5/8           |
| *       | 5303323140 | A B | Screw, ground, 10-32 x 0.375 |

MAIN TOP/SURFACE UNITS



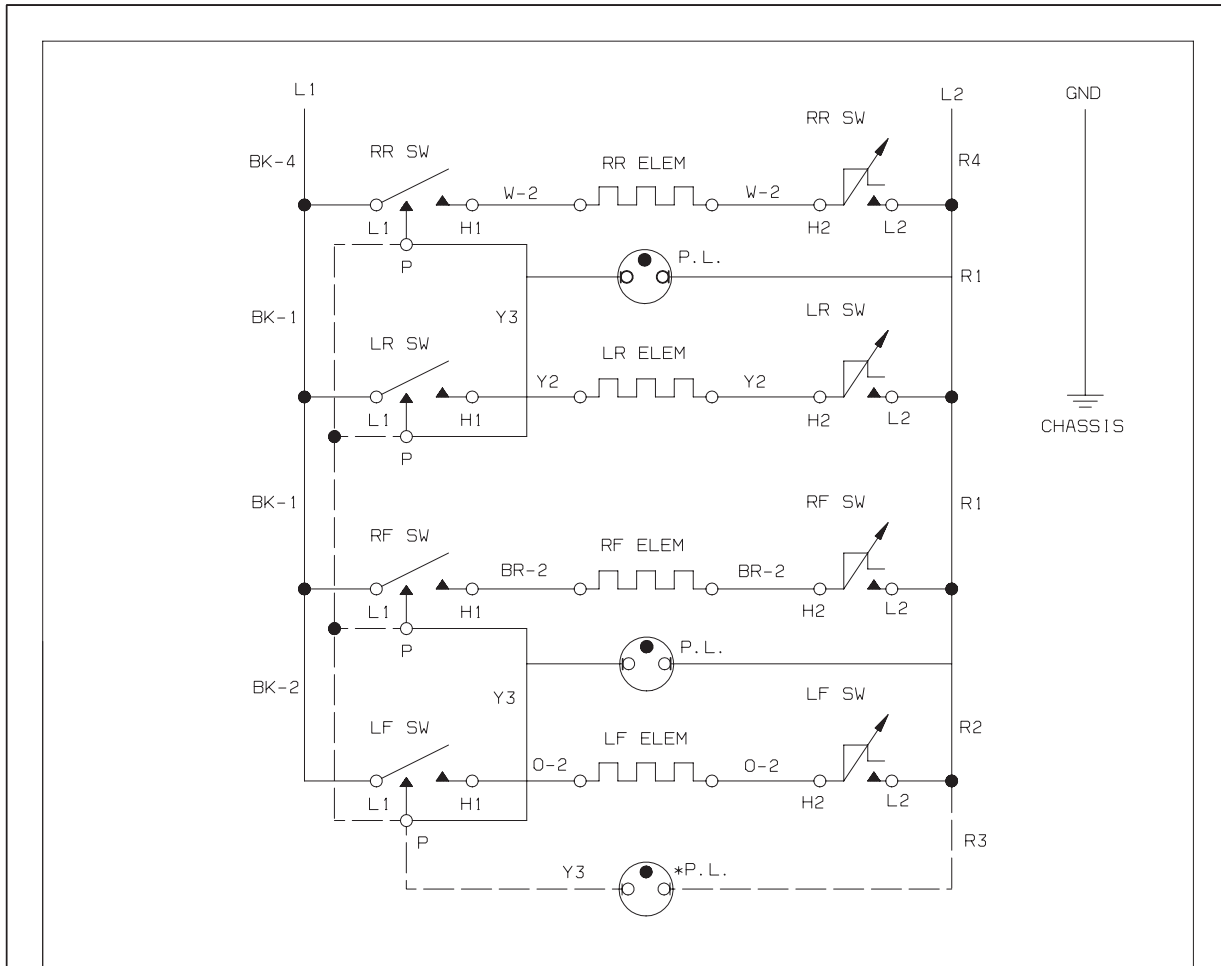
LA9923V40

**MAIN TOP/SURFACE UNITS**

*Model Index:* A FEC36C4A (FEC36C4ASD)  
 B FEC36C4A (FEC36C4ACD)

| POS. NO | PART NO.   |     | DESCRIPTION   |
|---------|------------|-----|---|
| 15 #    | 5308011964 | A B | Element, surface, large/8 inch, (2), medallion incl   |
| 15A#    | 5304437241 | A B | Element, surface, small/6 inch, 1250W, medallion incl |
| 16      | 318159031  | A - | Main Top, white                                       |
| 16      | 318159034  | - B | Main Top, stainless                                   |
| 17      | 3016817    | A B | Rod, maintop support                                  |
| 18      | 318074310  | A B | Hinge, maintop, (2)                                   |
| 19 #    | 318067056  | A B | Pan, surface element, large, chrome                   |
| 19A#    | 318067046  | A B | Pan, surface element, small, chrome                   |
| 27 #    | 318223407  | A B | Terminal Block, surface element, 21", white leads     |
| 27 #    | 318223408  | A B | Terminal Block, surface element, 18", orange leads    |
| 27 #    | 318223410  | A B | Terminal Block, surface element, 15", yellow leads    |
| 27 #    | 318223411  | A B | Terminal Block, surface element, 21", brown leads     |
| 28      | 5303301461 | A B | Medallion, surface element                            |
| 46      | 318077011  | A B | Burner Box  |
| 93      | 318122500  | A B | Support, terminal block, (4)                          |
| 136     | 5303935029 | A B | Support   |
| 137     | 5303323138 | A B | Screw, 10-24x1/2                                      |
| 140     | 318216000  | A B | Spacer, installation                                  |
| 183     | 5304410665 | A B | Screw, 10-32 x 5/8                                    |
| * #     | 318078537  | A B | Box & wires assy                                      |
| *       | 5303311532 | A B | Screw, 6-32 x 1/4", back                              |

**WIRING DIAGRAM**



**COLORS / COULEURS**

BL. - BLUE/BLEU  
 BR. - BROWN / BRUN  
 R. - RED / ROUGE  
 Y. - YELLOW / JAUNE  
 BK. - BLACK / NOIR  
 W. - WHITE / BLANC  
 O. - ORANGE / ORANGE  
 C. - COPPER / CUIVRE  
 P. - PINK / ROSE  
 V. - VIOLET / VIOLET  
 G. - GREEN / VERT  
 PR. - PURPLE / POURPRE

**LEGEND / LEGENDE**

SW. SWITCH  
 INTERRUPTEUR  
 L.R. LEFT REAR  
 ARRIERE GAUCHE  
 L.F. LEFT FRONT  
 AVANT GAUCHE  
 R.R. RIGHT REAR  
 ARRIERE DROIT  
 R.F. RIGHT FRONT  
 AVANT DROIT  
 P.L. PILOT LIGHT  
 LAMPE TEMOIN

**NOTE :**

- SERVICE: IF REPLACEMENT OF LEAD WIRE BECOMES NECESSARY USE EQUIVALENT WIRE TYPE, GAGE AND TERMINALS.
- SERVICE: SI LE REMPLACEMENT DE FILS EST NECESSAIRE, VEUILLEZ UTILISER DES FILS DE MEME TYPE DE MEME CALIBRE ET DE MEME COSSES.
- \*MODEL WITH 1 PILOTE LIGHT(-----).
- \*MODELE AVEC 1 LAMPE TEMOIN(-----).

**WARNING/ATTENTION**

DISCONNECT POWER BEFORE SERVICING UNIT.  
 COUPER LE COURANT AVANT D'EFFECTUER UNE REPARATION.  
 USE COPPER WIRE ONLY.  
 UTILISER SEULEMENT DU FIL DE CUIVRE.

| COLOR WIRE NO./NO. FIL DE COULEUR   | WIRE<br>FIL | GAGE<br>CALIBRE | TEMP. °C<br>TEMP. °C | UL STYLE<br>STYLE UL |
|---|-------------|-----------------|----------------------|----------------------|
| (W/BL-1)  | 1           | 14              | 150°C                | 3321                 |
| TRACER WIRE: WIRE COLOR NOTED FIRST, STRIPE NEXT.<br>EXEMPLE: WHITE WIRE WITH BLUE STRIPE.        | 2           | 16              | 150°C                | 3321                 |
| FIL LIGNE: COULEUR DU FIL NOTE EN PREMIER, LA LIGNE APRES.<br>EXEMPLE: FIL BLANC AVEC LIGNE BLEU. | 3           | 18              | 150°C                | 3321                 |
|   | 4           | 12              | 150°C                | 3321                 |

318046901 REV. C