

Frigidaire

Factory Parts Catalog

Product No.	GLRT83TEKA	GLRT83TEKB	GLRT83TESA	GLRT83TESB
Series	R134a	R134a	R134a	R134a
Color	stain/blk (LH)	stain/blk (LH)	stain/blk (RH)	stain/blk (RH)
Volts	115	115	115	115
Wiring Diagram	240398801	240398801	240398801	240398801
Owner's Guide	240400113	240400113	240400113	240400113
Market	North America	North America	North America	North America
Energy Guide	241613705	241613705	241613705	241613705
Service Data Sheet	240379017	240379018	240379017	240379018
Installation Instructions	240568301	240568301	240568301	240568301



Electrolux Major Appliances
 North & Latin America
 P.O. BOX 212378
 AUGUSTA, GA 30917

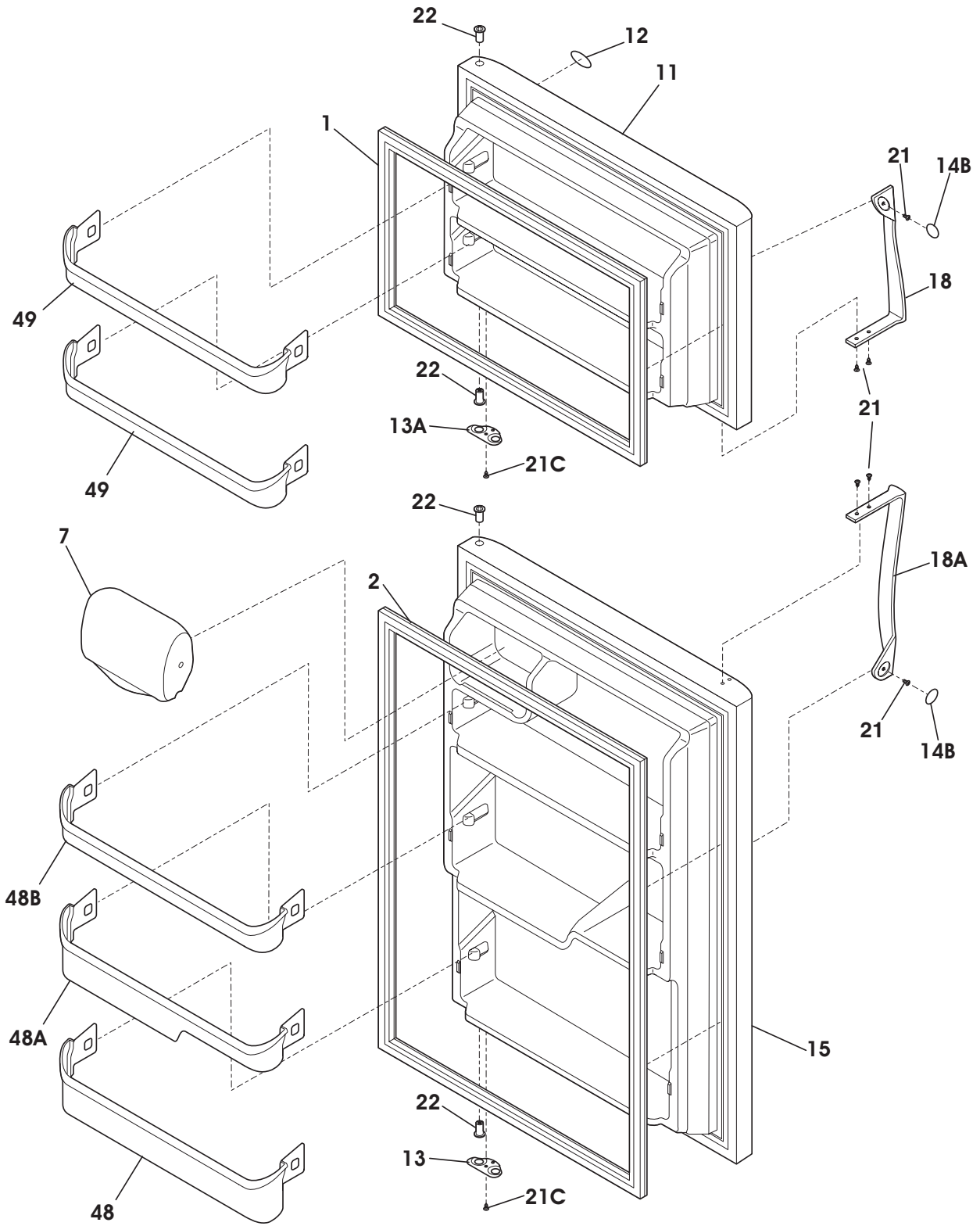
Publication No.
5995456844
 05/12/21
 (EN/SERVICE/DCS)
 390

**TOP-MOUNT
 REFRIGERATOR**

**Model No.
 GLRT83TE**

Copyright © 2005 Electrolux Home Products, Inc.
 All rights reserved.

DOOR



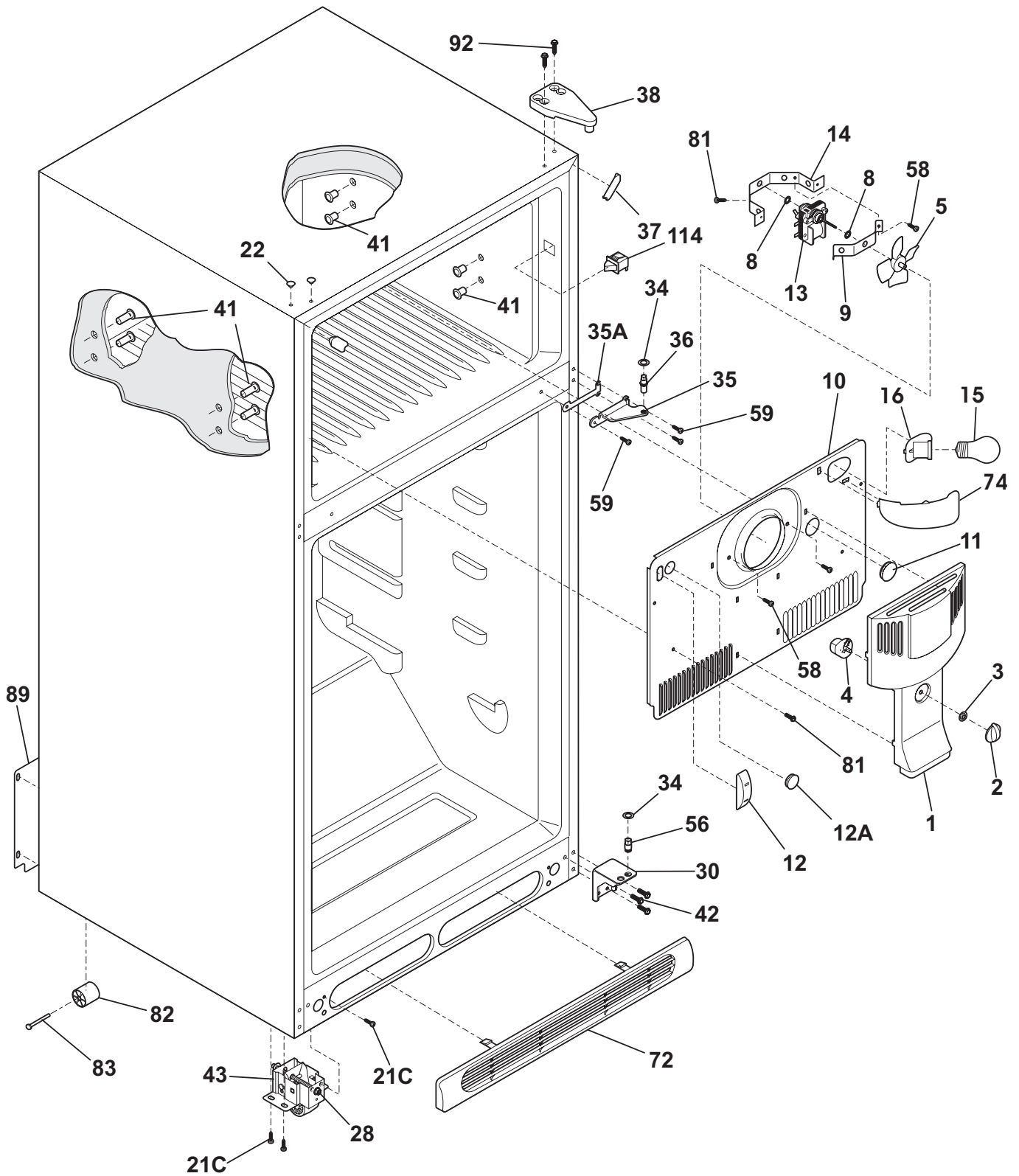
N05DCDBCA2

DOOR

Model Index: **A** GLRT83TE (GLRT83TEKA)
 B GLRT83TE (GLRT83TEKB)
 C GLRT83TE (GLRT83TESA)
 D GLRT83TE (GLRT83TESB)

POS. NO	PART NO.		DESCRIPTION
1	240542121	A B C D	Gasket-frzr door, black, magnetic
2	240542124	A B C D	Gasket-refr door, black, magnetic
7	240337703	A B C D	Door-dairy, w/o graphics, clear
11	241623306	A B - -	Door-frzr, stainless, LH, complete assy
11	241623305	- - C D	Door, frzr, stainless, RH, complete assy
12	240449704	A B C D	Nameplate, satin nickel
13	240312405	A B C D	Door Stop, black, refr
13A	240312406	A B C D	Door Stop, black, frzr
14B	240383603	A B C D	Plug-button, black, door handle
15	241623423	A B - -	Door, refr, stainless steel, LH
15	241623422	- - C D	Door, refr, stainless steel, RH
18	240339203	A B C D	Handle-door, black, refr-LH/frzr-RH
18A	240339208	A B C D	Handle-door, black, refr-RH/frzr-LH
21	240383401	A B C D	Screw, truss hd quad, #10-16 x .500
21C	218252200	A B C D	Screw, #8 truss hd, 10-32CA x 0.500
22	240527102	A B C D	Bearing-hinge, black
48	240338101	A B C D	Bin-door, pseudo, bottom
48A	240337901	A B C D	Bin-door, refr
48B	240338001	A B C D	Bin-door, pseudo, gallon, refr
49	240495804	A B C D	Bin-door, pseudo, frzr
*	218490901	A B C D	Cleaner, stainless steel

CABINET



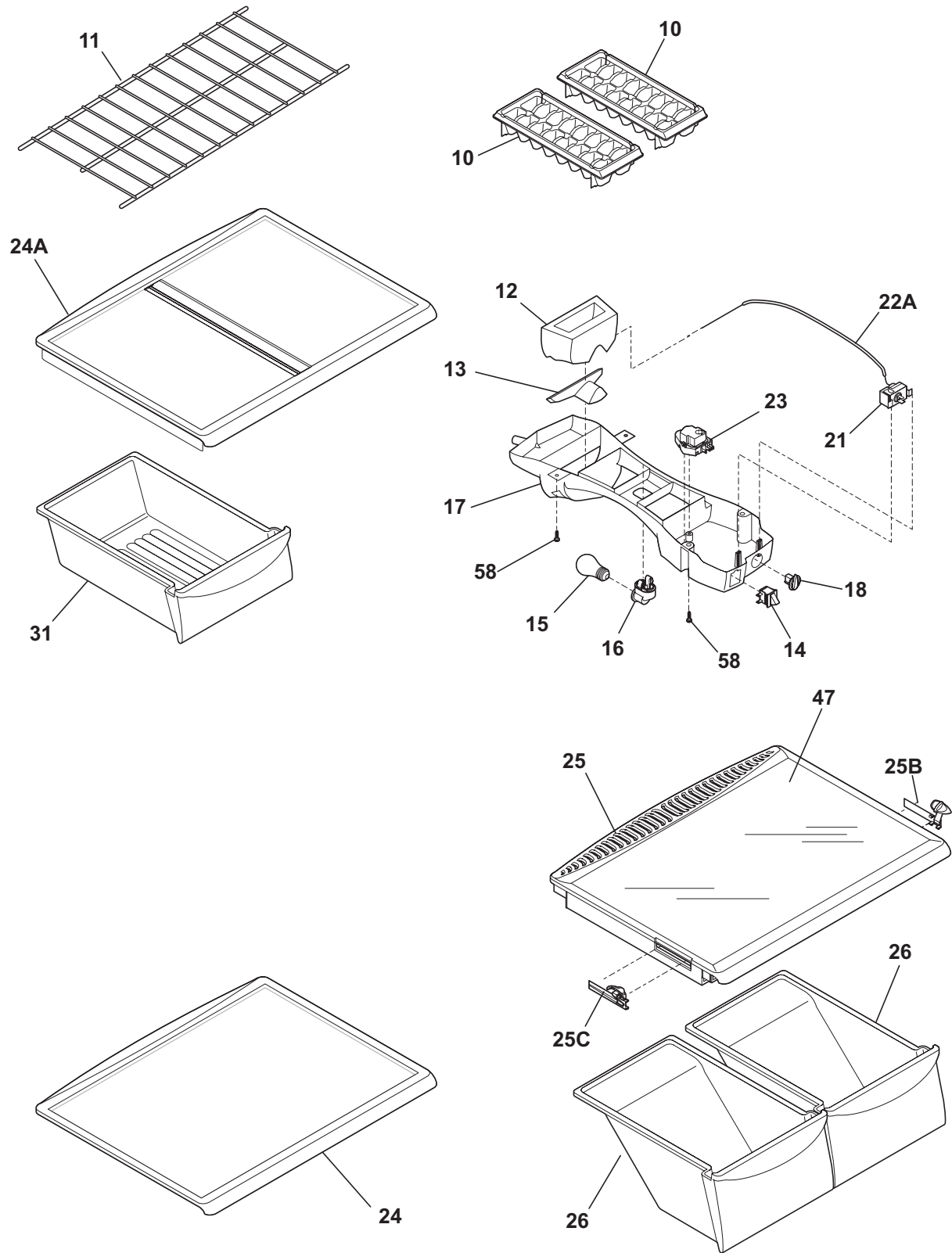
N05BAAABA2

CABINET

Model Index: A GLRT83TE (GLRT83TEKA)
 B GLRT83TE (GLRT83TEKB)
 C GLRT83TE (GLRT83TESA)
 D GLRT83TE (GLRT83TESB)

POS. NO	PART NO.		DESCRIPTION
1	241652301	A B C D	Cover-fan
2	240367001	A B C D	Knob-damper control
3	5303001028	A B C D	Nut, push-on
4	241523701	A B C D	Damper-fan cover
5 #	5308000010	A B C D	Fan Blade, red, evaporator fan
8	5300157666	A B C D	Bushing-motor mtg, (2)
9	5303292396	A B C D	Bracket-motor mtg, front
10	241652209	A B C D	Cover-evap coil
10*	240568601	A B C D	Seal-coil cover
10*#	241537701	A B C D	Wiring Harness, freezer section, with light
11	5303208309	A B C D	Plug-hole, factory test
12	241557601	A B C D	Plug-ice maker harness, rectangular
12A	240374401	A B C D	Plug-wtr inlet tube, round, 1"
12A*	241586701	A B C D	Plug-foam-wtr-inlet, round
13	240369702	A B C D	Motor-evap fan
13*	215474201	A B C D	Washer, "slinger", nylon, evap fan shaft
14	5303292397	A B C D	Bracket-motor mtg, rear
15	241560701	A B C D	Light Bulb
16 #	241513901	A B C D	Socket-light
21C	218252200	A B C D	Screw, #8 truss hd, 10-32CA x 0.500
22	215774918	A B C D	Plug-button, black, upr hinge holes
28	240335501	A B C D	Bolt-roller adj, hex washer head, 1/4-20 x 4.020, (2), special
30	240314003	A B C D	Bracket-lower hinge, black
34	240311303	A B C D	Washer, hinge, nylon, (2)
35	240313803	A B C D	Bracket-ctr hinge, black
35A	240336802	A B C D	Spacer-hinge, center
36	240516401	A B C D	Pin-center hinge
37	241611303	A B C D	Trim-cabinet corner, black, (2)
38	241622603	A B C D	Bracket-upper hinge, plastic, black
41	5308009759	A B C D	Grommet, shelf mtg, 1.25", LH, (4)
42	240578901	A B C D	Screw-hinge mtg, hex head, 1/4-20 x 5/8
43	240335003	A B C D	Roller Assy, adjustable, front, (2)
56	240516501	A B C D	Pin-lower hinge
58	5303001343	A B C D	Screw, hex washer head, 8-15A x 0.500
59	240442703	A B C D	Screw-#10-32 X 3/4, black
72	240368207	A B C D	Grille/Kickplate, black
74	240354301	A B C D	Shield-light, frzr
81	5308016566	A B C D	Screw, hex washer head, 8-15A x 0.625, low profile
82	5304418225	A B C D	Roller, compressor base, rear, (2)
83	5303316859	A B C D	Rivet, flat head, 1/4 OD x 1-3/4, roller pin
89	241574607	A B C D	Cover-access, w/label
89*	241500302	A B C D	Screw, hex washer head, 8-18AB x 0.625
92	241624301	A B C D	Screw-hinge mtg, hex head, 1/4-20 x 1.00
114#	241554901	A B C D	Switch-light/lamp
*	240479601	A B C D	Plug, button, cab liner holes, (2)
*	5303321321	A B C D	Paint, touch-up, black

SHELVES



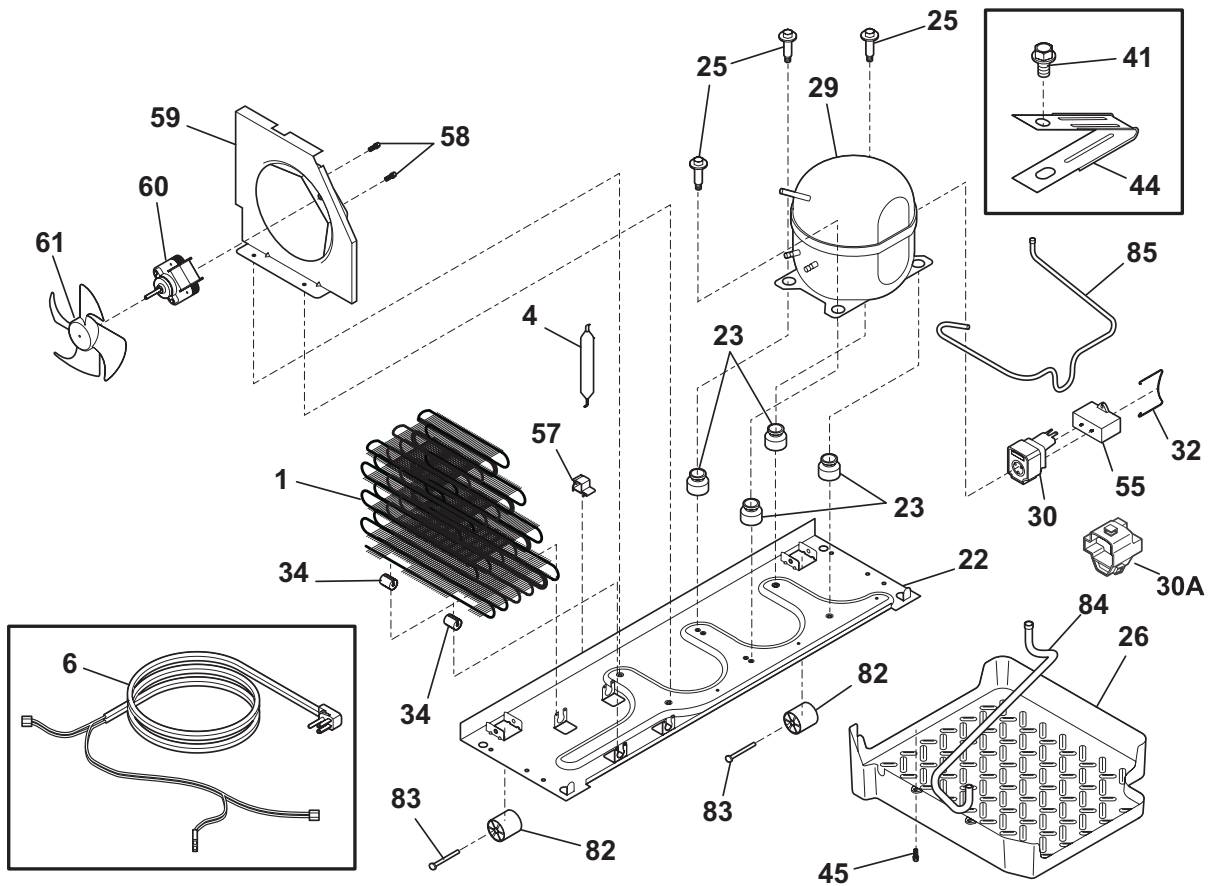
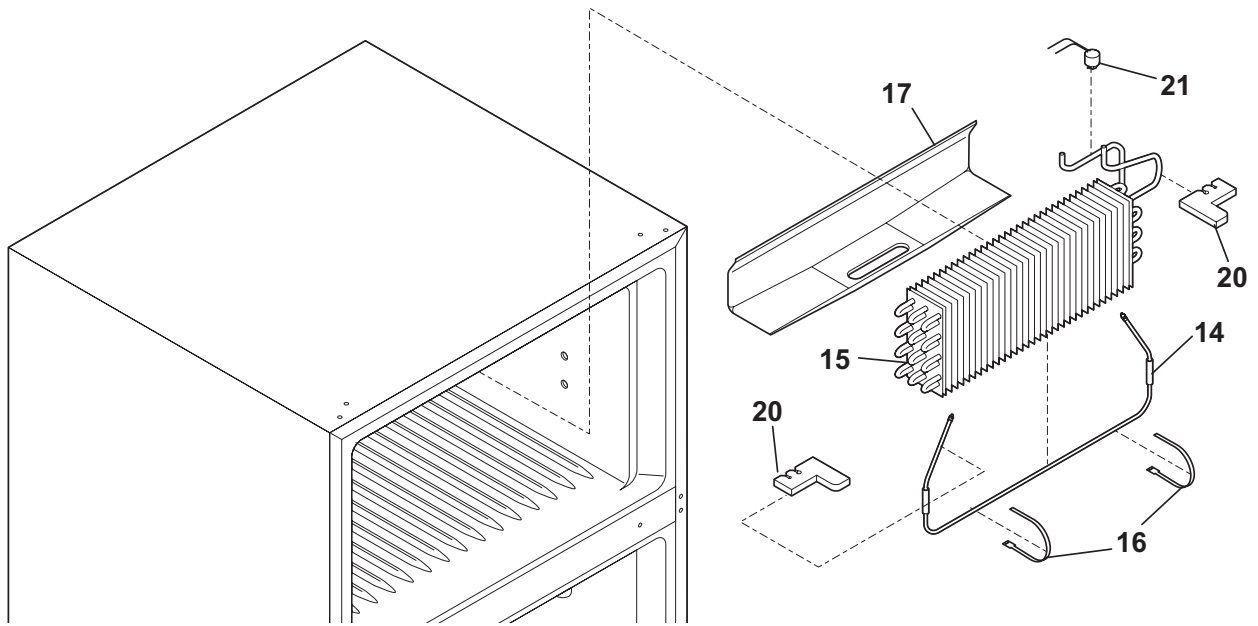
N05SAAAFI19

SHELVES

Model Index: A GLRT83TE (GLRT83TEKA)
 B GLRT83TE (GLRT83TEKB)
 C GLRT83TE (GLRT83TESA)
 D GLRT83TE (GLRT83TESB)

POS. NO	PART NO.		DESCRIPTION
10	215667501	A B C D	Tray, ice cube, plastic
11	240358005	A B C D	Shelf, freezer, full-width, wire
12	241542001	A B C D	Diffuser, air, top
13	240362601	A B C D	Diffuser, air, bottom
14 #	241554901	A B C D	Switch-light/lamp
15	241555401	A B C D	Light Bulb
16	241559801	A B C D	Socket-light
17	240352701	A B C D	Control Box
17*	240568607	A B C D	Seal
17*#	240388701	A B C D	Wiring Harness, control box
18	240360801	A B C D	Knob, temp control
21	5304421256	A B C D	Control, temperature
22A	240468201	A B C D	Tube, sensor sleeve, 31 inch, plastic, white
23	241621501	A B C D	Timer-defrost
23*	5303001259	A B C D	Screw-timer mtg, pan hd, 6-20 x 0.438, (2)
24	240358917	A B C D	Shelf-"Spill-Safe", sliding
24A	240358918	A B C D	Shelf-"Spill-Safe", sliding
25	240364714	A B C D	Cover-crisper pan
25B	241613501	A B C D	Control-humidity, RH
25C	241613502	A B C D	Control-humidity, LH
26	240337107	A B C D	Pan-crisper, clear, (2), no graphics
31	240530810	A B C D	Pan, meat bin
47	240350650	A B C D	Insert-pan cover, glass
58	5308016566	A B C D	Screw, hex washer head, 8-15A x 0.625, low profile

SYSTEM



N05CAAAAA20

SYSTEM

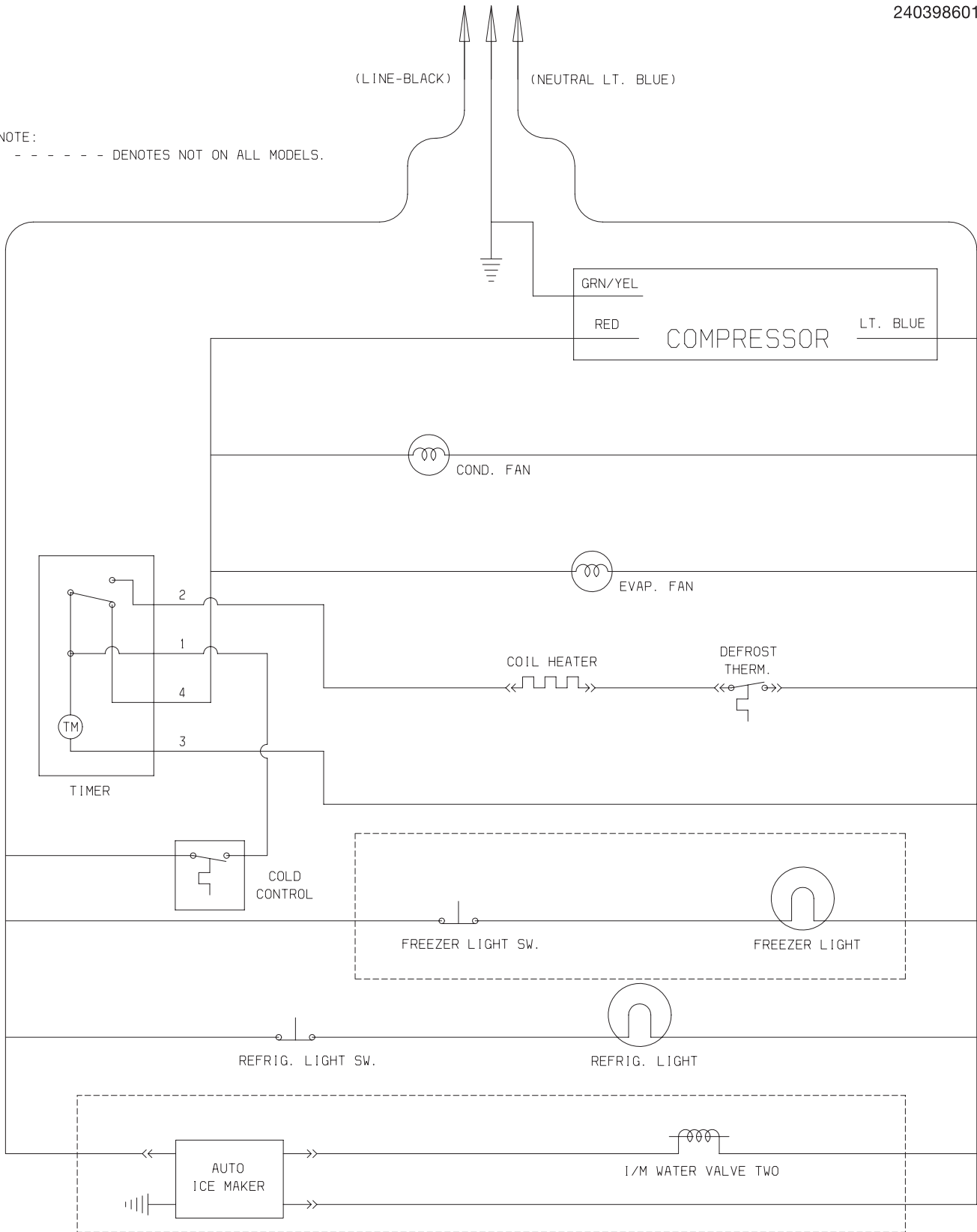
Model Index: **A** GLRT83TE (GLRT83TEKA)
 B GLRT83TE (GLRT83TEKB)
 C GLRT83TE (GLRT83TESA)
 D GLRT83TE (GLRT83TESB)

POS. NO	PART NO.		DESCRIPTION
1	241665701	A - C -	Condenser, dynamic
1 #	241682901	- B - D	Condenser, dynamic
4 #	218944001	A B C D	Drier-filter, R134a System
6 #	241607001	A B C D	Harness-wiring, machine compt
6*	241537701	A B C D	Wiring Harness, freezer section, with light
6* #	240388701	A B C D	Wiring Harness, control box
14 #	240356214	A B C D	Heater-defrost
15 #	5303918274	A B C D	Evaporator Kit
16	5308000110	A B C D	Strap-evap/heater, aluminum, (2)
17	241551801	A B C D	Trough-drain
20	241551901	A B C D	Insulation Block
21 #	5303918202	A B C D	Thermostat-defrost, kit
22	241665501	A B C D	Base-compressor
22*	218252200	A B C D	Screw, #8 truss hd, 10-32CA x 0.500
23	218513300	A B C D	Grommet-compr mtg, (4)
25	240491501	A B C D	Screw-compressor mtg, 1/4-28 x 1.16, shoulder, typ CF
26	240332608	A B C D	Pan-defrost drain
29 #	5303918326	A - C -	Compressor, w/electricals
29 #	5303918325	- B - D	Compressor, w/electricals
30	216954201	- B - D	Controller, compressor
30A#	241667501	A - C -	Relay Combo
32	216954300	- B - D	Clip, controller
34	240405201	A B C D	Grommet, rubber, black, cond tube/wire
41	218897001	A B C D	Screw, hex washer head, 8-32 x 1/4
44	5303001199	A B C D	Clamp-wiring harness, strain relief, galv steel
45	5308016566	A B C D	Screw, hex washer head, 8-15A x 0.625, low profile
55	218909913	- B - D	Capacitor, run, 220 VAC, 15 microfarad
57	240542601	A B C D	Clip-wiring harness
58	218897002	A B C D	Screw, hex washer head, 8-32 x 0.375
59	5304430246	A B C D	Bracket-cond motor assy
59*	240346701	A B C D	Tape-foam seal, shroud
59*	240359401	A B C D	Screw-fan shroud, (2)
60	240525402	A B C D	Motor, condensor fan
61 #	240524101	A B C D	Fan Blade, galv steel, condenser fan
82	5304418225	A B C D	Roller, compressor base, rear, (2)
83	5303316859	A B C D	Rivet, flat head, 1/4 OD x 1-3/4, roller pin
84	240500801	A B C D	Tube-drain, rubber, lower
85	240493101	A - C -	Tube-connector, suction
85	241665801	- B - D	Tube-connector, suction
*	240396801	A B C D	Clamp, tube/wiring, nylon, black/natural
*	5303918263	A B C D	Heat Exchanger Kit, suction line
*	5303918222	A B C D	Hot Tube Repair Kit, service

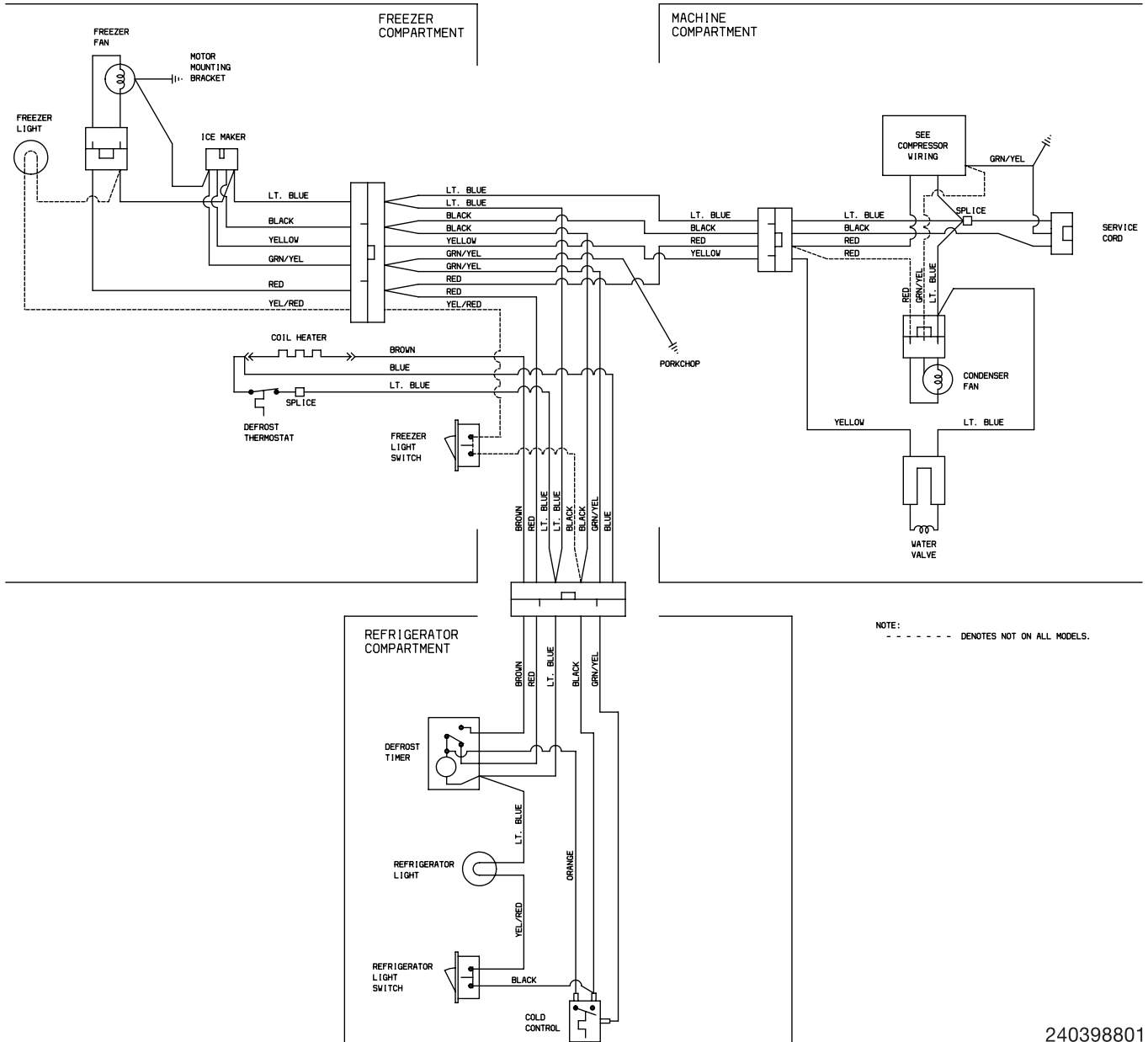
WIRING SCHEMATIC

240398601

NOTE:
- - - - - DENOTES NOT ON ALL MODELS.



WIRING DIAGRAM



240398801