

Frigidaire

Factory Parts Catalog

Product No.	FDB130RGB0	FDB130RGQ0	FDB130RGS0
Series	Built-in 24"	Built-in 24"	Built-in 24"
Color	black	bisque	white
Owner's Guide English	154590801	154590801	154590801
Owner's Guide Spanish	154590803	154590803	154590803
Owner's Guide French	154590802	154590802	154590802
Service Data Sheet	154441201	154441201	154441201
Energy Guide	154540001	154540001	154540001
Installation Instructions	154427301	154427301	154427301
Market	North America	North America	North America



Electrolux Major Appliances
 North & Latin America
 P.O. BOX 212378
 AUGUSTA, GA 30917

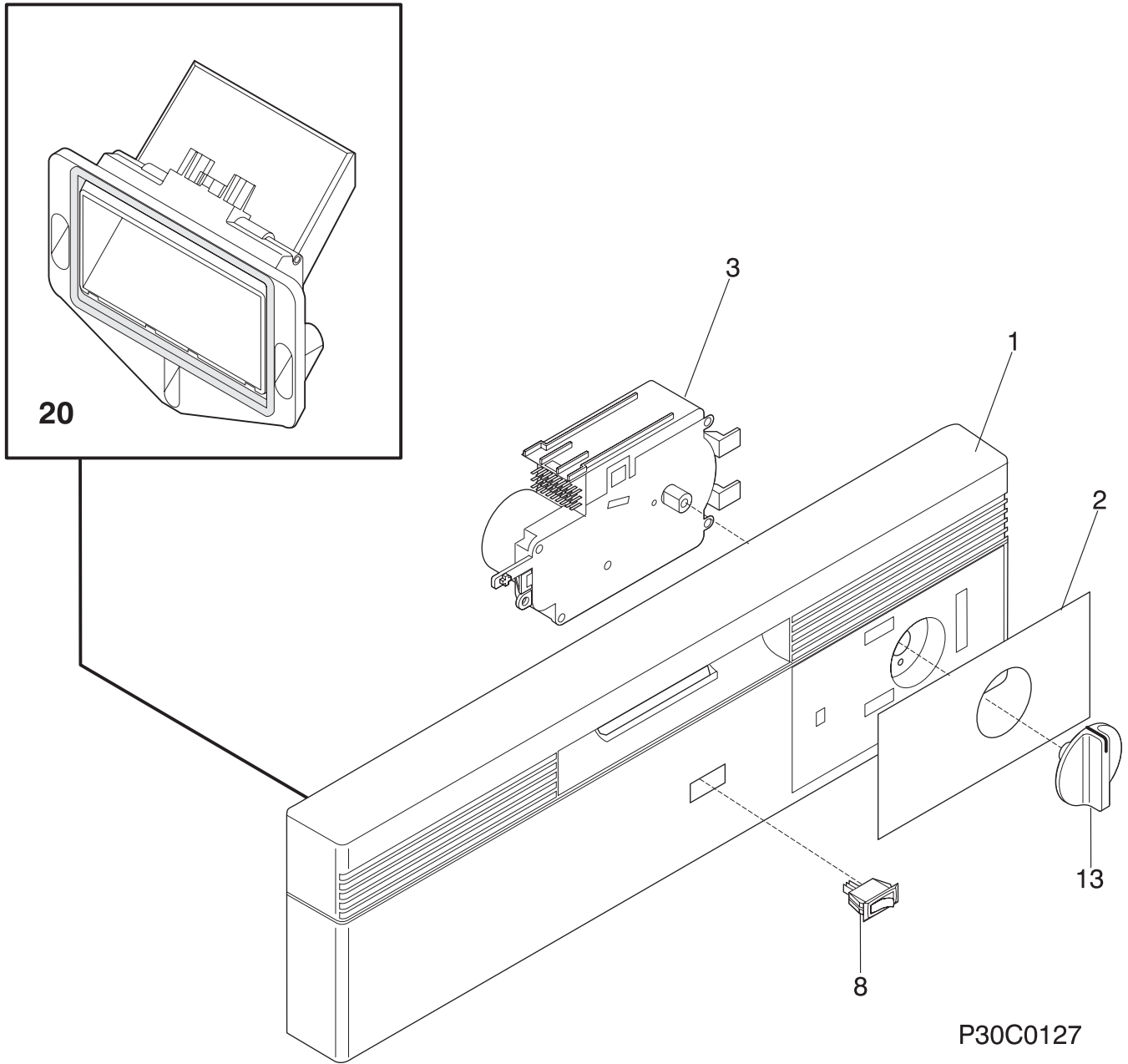
Publication No.
5995487286
 07/03/28
 (EN/SERVICE/ECL)
 821

**24-INCH BUILT-IN
 DISHWASHER**

Model No.
FDB130RG

Copyright © 2007 Electrolux Home Products, Inc.
 All rights reserved.

CONTROL PANEL

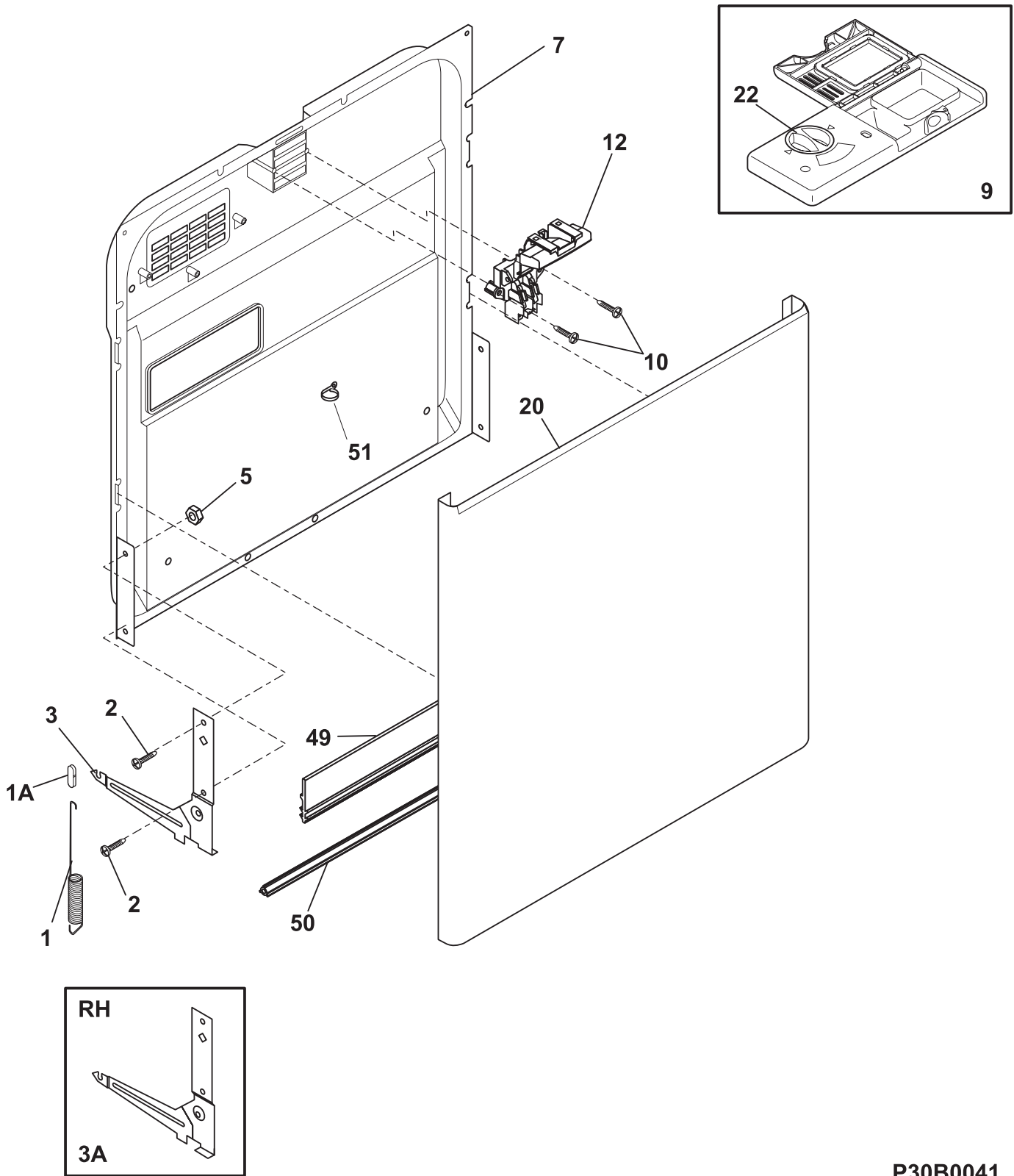


CONTROL PANEL

Model Index: A FDB130RG (FDB130RGS0)
 B FDB130RG (FDB130RGB0)
 C FDB130RG (FDB130RGQ0)

POS. NO	PART NO.		DESCRIPTION
1	154637801	A - -	Panel, control, white
1	154637803	- B -	Panel, control, black
1	154637804	- - C	Panel, control, bisque
2	154637901	A - -	Insert, control panel, white
2	154637903	- B -	Insert, control panel, black
2	154637904	- - C	Insert, control panel, bisque
3 #	154437801	A B C	Timer
3*	154131204	A B C	Shield, timer
3*	154095701	A B C	Screw, thread rolling, (2), timer
8 #	154240401	A - -	Switch, rocker/selector, white
8 #	154240403	- B -	Switch, rocker/selector, black
8 #	154240404	- - C	Switch, rocker/selector, bisque
8*	5303318719	A B C	Screw, mtg.
13	154338301	A - -	Knob, timer, white
13	154338303	- B -	Knob, timer, black
13	154338304	- - C	Knob, timer, bisque
20	154433001	A B C	Vent assy, static dry
20*	154436201	A B C	Screw, dry duct, (3)
*	154474901	A B C	Wiring Harness, main
*	154540001	A B C	Energy guide label

DOOR



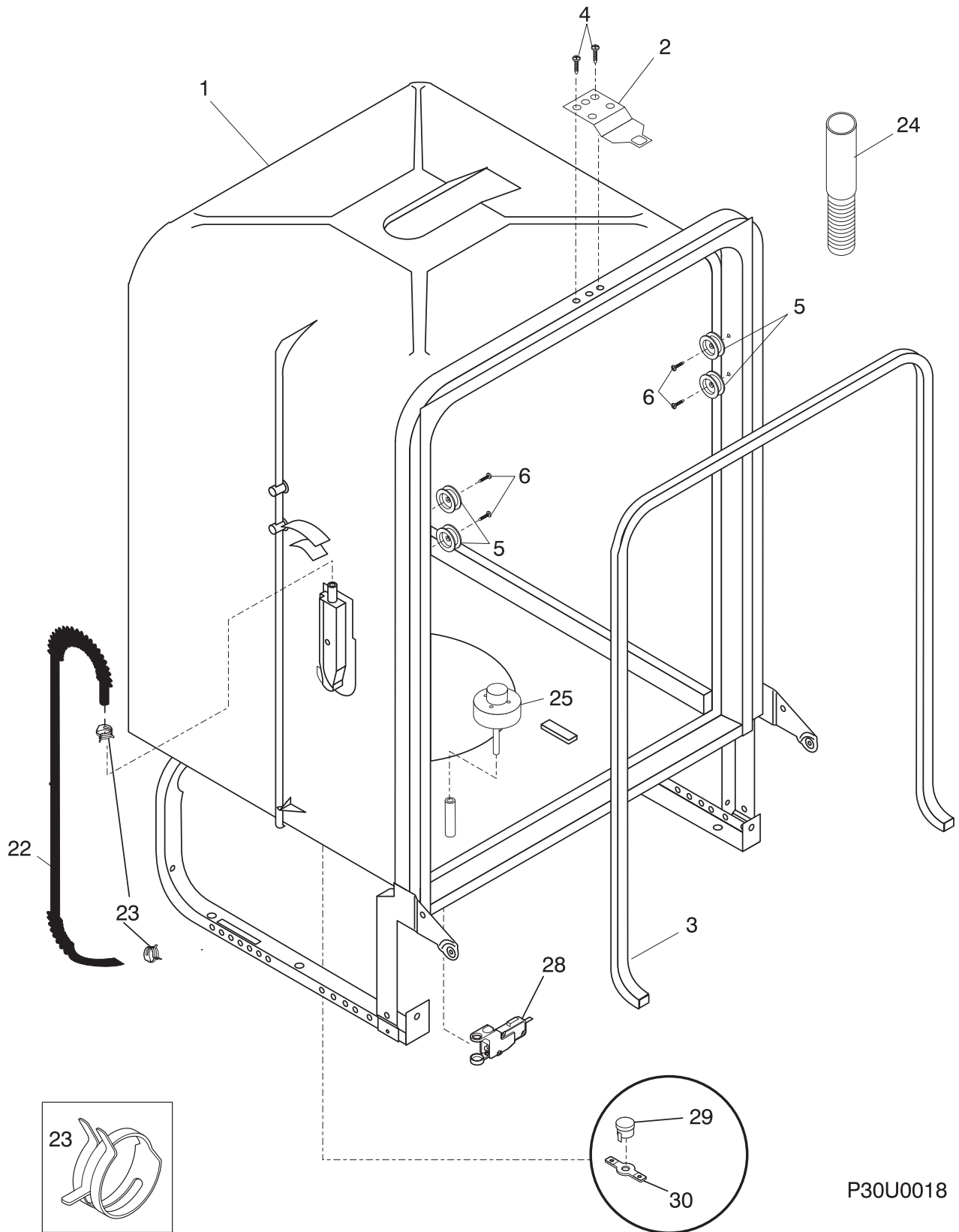
P30B0041

DOOR

Model Index: A FDB130RG (FDB130RGS0)
 B FDB130RG (FDB130RGB0)
 C FDB130RG (FDB130RGQ0)

POS. NO	PART NO.		DESCRIPTION
1	154430501	A B C	Spring, door, (2)
1A	154325201	A B C	Linkage, door spring, (2)
2	154093301	A B C	Screw, arm assy, (4)
3	154597502	A B C	Arm Assy, LH
3A	154596102	A B C	Arm Assy, RH
*	154529101	A B C	Pin, arm assy
5	154079601	A B C	Nut, arm assy, and handle mtg.
7	154494601	A B C	Liner, door assy.
9	154574401	A B C	Dispenser, det/rinse aid, w/o reed
9*	154294701	A B C	Screw, #7 plas .375, (6), disp. assy.
10	154103702	A B C	Screw, latch mtg, (2)
12 #	154537301	A - -	Latch assy, white
12 #	154537303	- B -	Latch assy, black
12 #	154537304	- - C	Latch assy, bisque
20	154359105	A - -	Door, white
20	154359107	- B -	Door, black
20	154359110	- - C	Door, bisque
20*	5304428306	A B C	Screw, door mtg., (2)
22	154388801	A B C	Cap, Rinse aid
49	154576501	A B C	Gasket, door, bottom
50	154211401	A B C	Support, door hinge
51	154320301	A B C	Clamp, drip loop, wire
*	154200601	A B C	Screw, #10-16 x 3/8

TUB



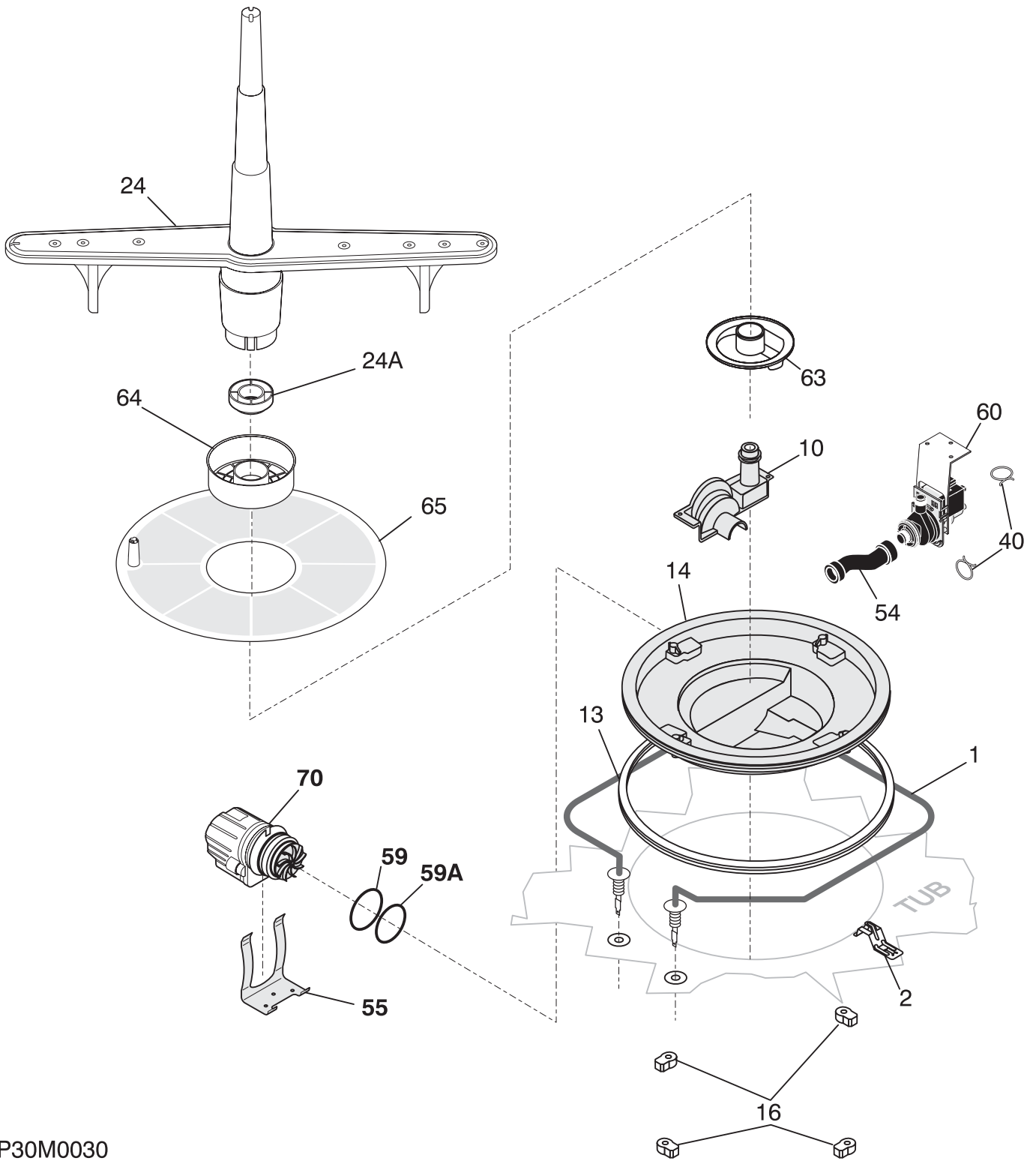
P30U0018

TUB

Model Index: A FDB130RG (FDB130RGS0)
 B FDB130RG (FDB130RGB0)
 C FDB130RG (FDB130RGQ0)

POS. NO	PART NO.		DESCRIPTION
1 #	154357301	A B C	Tub assy, w/frame parts
2	154429101	A B C	Strike, door
3 #	154561001	A B C	Gasket, tub
4	154200602	A B C	Screw, 10-16 x 3/8, hex
5	154333902	A B C	Roller, tub
6	5303943103	A B C	Screw, w/washer, (8)
22	154577401	A B C	Tubing, water inlet
23	5303318539	A B C	Clamp, tubing, (2)
24 #	154525301	A B C	Hose, drain
25 #	154209701	A B C	Float
28	154408701	A B C	Switch Assy, float
29 #	154290204	A B C	Thermostat, re-settable
30	154241101	A B C	Retainer, thermostat
30*	154297701	A B C	Screw, retainer-thermo
*	154041001	A B C	Screw, plask #1, 10-10 x 9/16
*	154200601	A B C	Screw, #10-16 x 3/8
*	5300807270	A B C	Screw, (2), countertop mtg.

MOTOR & PUMP



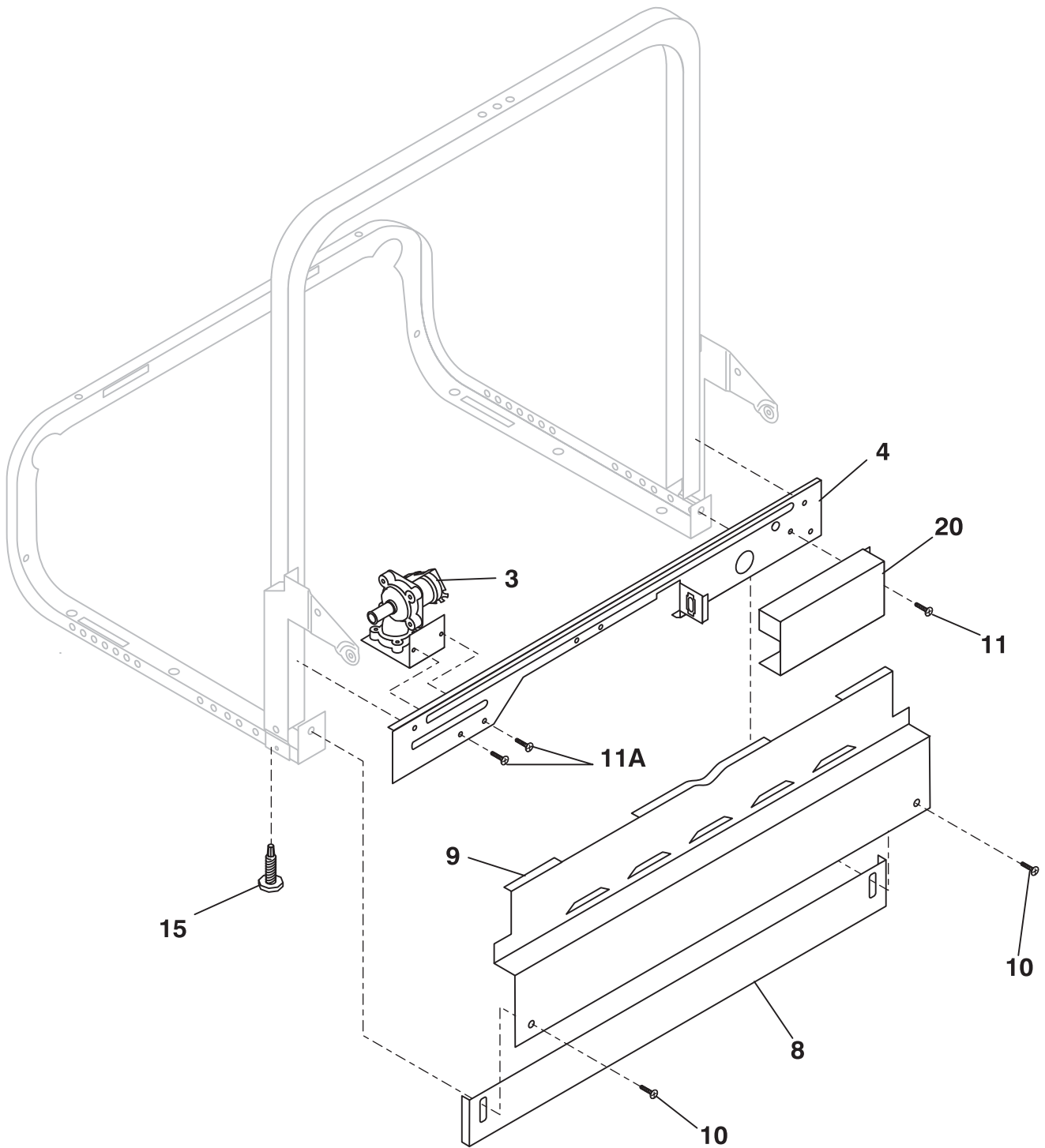
P30M0030

MOTOR & PUMP

Model Index: A FDB130RG (FDB130RGS0)
 B FDB130RG (FDB130RGB0)
 C FDB130RG (FDB130RGQ0)

POS. NO	PART NO.		DESCRIPTION
1	154247601	A B C	Heater
1*	154106202	A B C	Nut, heater, (2)
1*	154289801	A B C	Shield, heater terminal
2	154479601	A B C	Bracket, heater, (2)
10	154335301	A B C	Cover, volute
13	154246801	A B C	Gasket, sump
14	154365903	A B C	Housing, sump
16	154246502	A B C	Retainer, sump
24	154567701	A B C	Spray arm, lower, w/heat shield
24A	154335201	A B C	Nut, spray arm
40	154348401	A B C	Clamp, red, pump
40	154348502	A B C	Clamp, red, pump
40*	154380601	A B C	Clamp, hose, worm/gear
54	154234401	A B C	Hose, connector
55	154595901	A B C	Bracket, motor
55*	5303316032	A B C	Screw, truss ss, 8 .625
59	154246901	A B C	O-ring, rear
59A	154247001	A B C	O-ring, front
60	154474101	A B C	Drain Pump Assy
60*	154426201	A B C	Bracket, motor, drain
60*	154581501	A B C	Screw, drain motor, (3)
63	154252201	A B C	Base, soil director
64	154332602	A B C	Filter, soil director
65	154252401	A B C	Filter, polypro
70 #	154474001	A B C	Motor Assembly, circulation, w/o o'rings
*	154200601	A B C	Screw, #10-16 x 3/8

FRAME



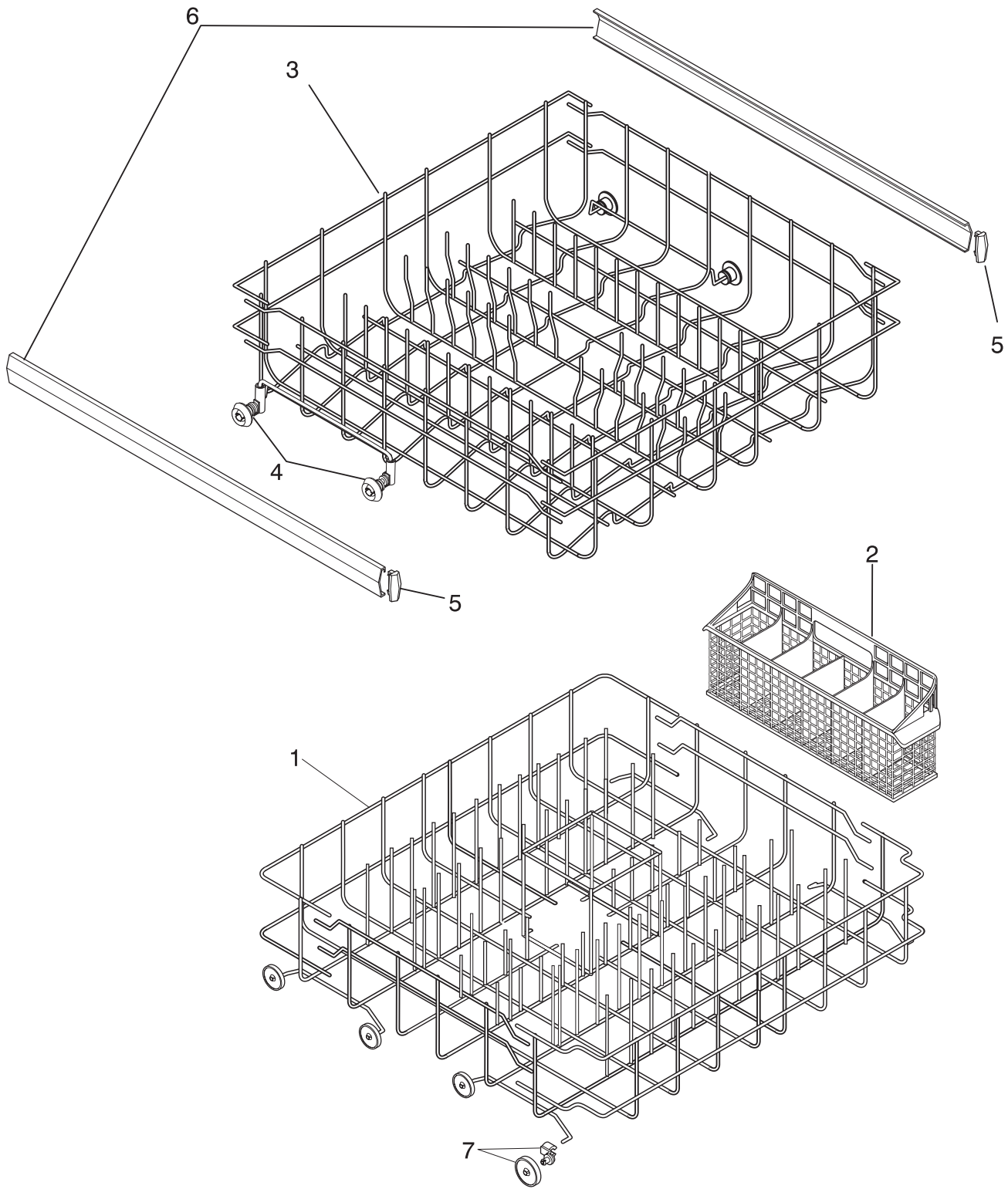
P30F0022

FRAME

Model Index: A FDB130RG (FDB130RGS0)
 B FDB130RG (FDB130RGB0)
 C FDB130RG (FDB130RGQ0)

POS. NO	PART NO.		DESCRIPTION
3 #	154476101	A B C	Valve, water
4	154595801	A B C	Brace, front frame
8	154589401	A - -	Toeplate, adjustable, white
8	154589403	- B -	Toeplate, adjustable, black
8	154589405	- - C	Toeplate, adjustable, bisque
9	154589501	A - -	Kickplate Assy, white
9	154589503	- B -	Kickplate Assy, black
9	154589505	- - C	Kickplate Assy, bisque
10	154371301	A - -	Screw, phillips head, white
10	5300808658	- B -	Screw, #8A x .375", black
10	154371303	- - C	Screw, phillips head, bisque
11	154200701	A B C	Screw, #10-32 x 3/8
11A	154200601	A B C	Screw, #10-16 x 3/8
15	154571101	A B C	Leg, leveling, (4)
20	154597001	A B C	Cover, junction box
*	154041001	A B C	Screw, plask #1, 10-10 x 9/16
*	154200602	A B C	Screw, 10-16 x 3/8, hex
*	154409401	A B C	Screw, #8-18 x .375

RACKS



P30R0045

RACKS

Model Index: A FDB130RG (FDB130RGS0)
 B FDB130RG (FDB130RGB0)
 C FDB130RG (FDB130RGQ0)

POS. NO	PART NO.		DESCRIPTION
1	154586302	A B C	Rack assy, lower, w/rollers
2	5300808994	A B C	Basket, silverware
3	154586201	A B C	Rack assy, upper, w/rollers
4	154522901	A B C	Wheel & bushing assy, upper rack, (8)
5	5300809927	A B C	Cap, slide, (4)
6	154597801	A B C	Slide, rack, upper, (2)
7	154174502	A B C	Wheel & bracket assy, lower rack