



1187991A



---

# AIR PURIFIER

## Use & Care Guide

For questions about features, operation/performance, parts, accessories or service call: **1-800-253-1301** or visit our website at... [www.whirlpool.com](http://www.whirlpool.com)

---

# PURIFICADOR DE AIRE

## Manual de uso y cuidado

Si tiene preguntas respecto a las características, funcionamiento, rendimiento, partes, accesorios o servicio técnico, llame al: **1-800-253-1301** o visite nuestro sitio web en... [www.whirlpool.com](http://www.whirlpool.com)

---

Table of Contents/Índice ..... 2

---

# TABLE OF CONTENTS

|   |   |   |   |
|---|---|---|---|
| <b>AIR PURIFIER SAFETY</b> .....          | 3 | Filter Replacement .....                | 5 |
| <b>INSTALLATION REQUIREMENTS</b> .....    | 3 | <b>TROUBLESHOOTING</b> .....            | 5 |
| Electrical Requirements .....             | 3 | <b>ASSISTANCE OR SERVICE</b> .....      | 5 |
| Location Requirements .....               | 4 | In the U.S.A. ....                      | 5 |
| <b>AIR PURIFIER USE</b> .....             | 4 | Replacement Filters.....                | 5 |
| Starting/Stopping Your Air Purifier ..... | 4 | Quiet 30-Day Money-Back Guarantee ..... | 5 |
| <b>AIR PURIFIER CARE</b> .....            | 4 | <b>WARRANTY</b> .....                   | 6 |
| Cleaning.....                             | 4 |   |   |

# ÍNDICE

|   |   |   |    |
|---|---|---|----|
| <b>SEGURIDAD DEL PURIFICADOR DE AIRE</b> .....            | 7 | Reemplazo del filtro.....                                       | 9  |
| <b>REQUISITOS DE INSTALACIÓN</b> .....                    | 8 | <b>SOLUCIÓN DE PROBLEMAS</b> .....                              | 9  |
| Requisitos eléctricos .....                               | 8 | <b>AYUDA O SERVICIO TÉCNICO</b> .....                           | 10 |
| Requisitos de ubicación.....                              | 8 | En los EE.UU. ....  | 10 |
| <b>CÓMO FUNCIONA EL PURIFICADOR DE AIRE</b> .....         | 8 | Filtros de repuesto .....                                       | 10 |
| Cómo poner en marcha/detener su purificador de aire ..... | 8 | Garantía de silencio de 30 días o el reembolso de su dinero ... | 10 |
| <b>CUIDADO DEL PURIFICADOR DE AIRE</b> .....              | 9 | <b>GARANTÍA</b> .....   | 11 |
| Limpieza .....  | 9 |   |    |



This product earned the ENERGY STAR by meeting strict energy efficiency guidelines set by the U.S. EPA. U.S. EPA does not endorse any manufacturer claims of healthier indoor air from the use of this product.

The energy efficiency of this ENERGY STAR qualified model is measured based on a ratio between the model's CADR for dust and the electrical energy it consumes, or CADR/Watt.



TODO LO QUE IMAGINAS®

# AIR PURIFIER SAFETY

## Your safety and the safety of others are very important.

We have provided many important safety messages in this manual and on your appliance. Always read and obey all safety messages.



This is the safety alert symbol.

This symbol alerts you to potential hazards that can kill or hurt you and others.

All safety messages will follow the safety alert symbol and either the word "DANGER" or "WARNING." These words mean:

**⚠ DANGER**

**You can be killed or seriously injured if you don't immediately follow instructions.**

**⚠ WARNING**

**You can be killed or seriously injured if you don't follow instructions.**

All safety messages will tell you what the potential hazard is, tell you how to reduce the chance of injury, and tell you what can happen if the instructions are not followed.

## IMPORTANT SAFETY INSTRUCTIONS

**WARNING:** To Reduce The Risk Of Fire or Electrical Shock, Do Not Use The Air Purifier With Any Solid-State Speed Control Device.

**WARNING:** To Reduce The Risk Of Fire Or Electrical Shock And Injury To Persons, Do Not Use In A Window.

Unplug air purifier before servicing.

## READ AND SAVE THESE INSTRUCTIONS

## INSTALLATION REQUIREMENTS

### Electrical Requirements

**⚠ WARNING**



#### Electrical Shock Hazard

Plug into a grounded 3 prong outlet.

Do not remove ground prong.

Do not use an adapter.

Do not use an extension cord.

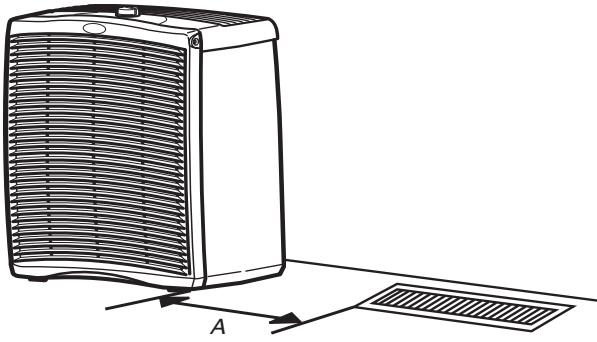
Failure to follow these instructions can result in death, fire, or electrical shock.

#### Electrical Connection

To properly install your air purifier, you must determine the type of electrical connection you will be using and follow the instructions provided for it here.

- The air purifier should be connected to a 115 V, 60 Hz, 15- or 20-amp fused 3 prong grounded outlet.
- The use of a time-delay fuse or time-delay circuit breaker is recommended.

## Location Requirements



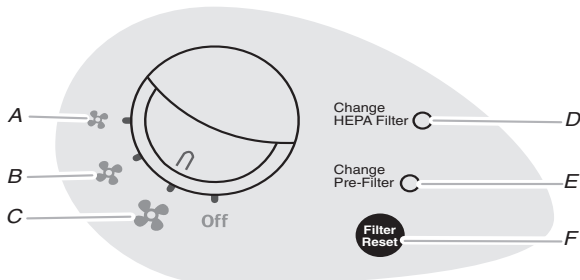
A. 6" (15.2 cm) min. clearance

- You will need a level surface at least 6" (15.2 cm) from heat sources such as ranges or heaters.
- Do not block the air openings or place the air purifier on a soft surface such as a bed or sofa.
- Operate indoors only.

## AIR PURIFIER USE

### Starting/Stopping Your Air Purifier

**NOTE:** Before operating the air purifier, record the date of installation on the HEPA filter. Under normal conditions, the HEPA filter should be replaced annually, and the pre-filter should be replaced every 3 months. To remove and replace either filter, see "Filter Replacement" in the "Air Purifier Care" section.



A. Low fan speed  
B. Medium fan speed

C. High fan speed  
D. HEPA filter indicator light

E. Pre-filter indicator light  
F. Filter reset button

## ! WARNING



### Electrical Shock Hazard

**Plug into a grounded 3 prong outlet.**

**Do not remove ground prong.**

**Do not use an adapter.**

**Do not use an extension cord.**

**Failure to follow these instructions can result in death, fire, or electrical shock.**

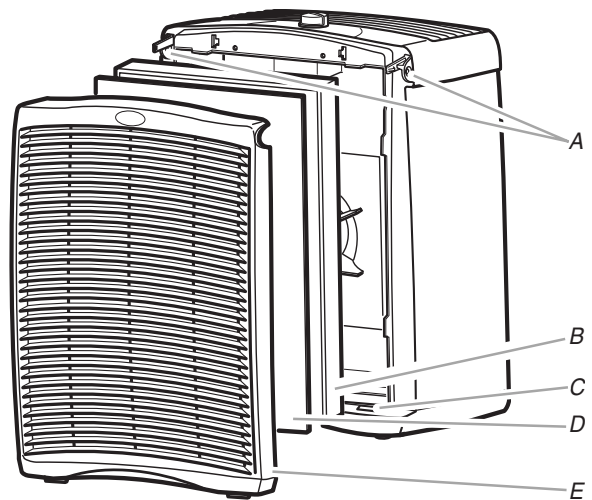
1. Plug into a grounded 3 prong outlet.

**NOTE:** Both filter indicator lights will flash once during a self-test when the air purifier is turned on or after a power interruption.

2. Turn the fan speed knob to the large fan icon (High), the middle fan icon (Medium) or the small fan icon (Low) to select the desired fan speed.
3. Turn the fan speed knob to Off to turn off the air purifier.

## AIR PURIFIER CARE

### Cleaning



A. Release tabs

B. HEPA filter  
C. Bottom slot

D. Pre-filter  
E. Front grille

1. Turn the fan speed knob to Off.
2. Unplug air purifier or disconnect power.
3. Place fingers on the front release tabs. Gently push the tabs in and pull the front grille forward to remove it.
4. Remove both filters and set aside. Do not try to wash and reuse either the HEPA filter or the pre-filter.
5. Clean the air purifier with a soft, damp cloth.

6. Gently wash the front grille in soapy water.  
**NOTE:** The grille is not dishwasher safe.
7. Reassemble the filters as shown in the previous illustration.
8. Place the bottom tabs on the front grille into the slots in the base of the air purifier. Push the top of the grille forward until the grille locks into place.
9. Plug in air purifier or reconnect power.
10. Turn the fan speed knob to the desired fan speed.

### Filter Replacement

**NOTE:** The filter indicator lights on top of the air purifier will glow when it is time to replace either the pre-filter or the HEPA filter. For the most efficient operation of the air purifier, under normal conditions it is recommended that you replace the pre-filter every three months and the HEPA filter every year. See “Replacement Filters” in the “Assistance or Service” section.

1. Turn the fan speed knob to Off.
2. Unplug air purifier or disconnect power.
3. Place fingers on the front release tabs. Gently push the tabs in and pull the front grille forward to remove it.
4. Remove and replace the indicated filter. Install the new HEPA filter in the same direction shown by the arrow located on the filter frame. Install the new pre-filter by placing it on the tabs.

**NOTE:** Do not try to wash and reuse either the HEPA filter or the pre-filter.

5. Place the bottom tabs on the front grille into the slots in the base of the air purifier. Push the top of the grille forward until the grille locks into place.
6. Plug in air purifier or reconnect power.
7. Turn the fan speed knob to the desired fan speed.
8. Press the Filter Reset button for 5 seconds to turn off the filter indicator light(s) and reset the timer.  
**NOTE:** Pressing the Filter Reset button before either of the filter indicator lights glows will not reset the timer.

## TROUBLESHOOTING

**First try the solutions suggested here and possibly avoid the cost of a service call...**

### Air purifier will not run.

■ **Check the following:**

Is the air purifier turned on?

Is the power cord plugged into a grounded 3 prong outlet?

Has a fuse blown, or has a circuit breaker tripped?

Was a regular fuse used? Use a time-delay fuse or time-delay circuit breaker.

## ASSISTANCE OR SERVICE

Before calling for assistance or service, please check “Troubleshooting.” It may save you the cost of a service call. If you still need help, follow the instructions below.

When calling, please know the purchase date and the complete model and serial number of your appliance. This information will help us to better respond to your request.

### In the U.S.A.

Call the Whirlpool Customer eXperience Center toll free: **1-800-253-1301**.

**Our consultants provide assistance with:**

- Features and specifications on our full line of appliances.
- Installation information.
- Use and maintenance procedures.
- Accessory and repair parts sales.
- Specialized customer assistance (Spanish speaking, hearing impaired, limited vision, etc.).
- Referrals to local dealers, repair parts distributors, and service companies. Whirlpool designated service technicians are trained to fulfill the product warranty and provide after-warranty service, anywhere in the United States.

To locate the Whirlpool designated service company in your area, you can also look in your telephone directory Yellow Pages.

**For further assistance**

If you need further assistance, you can write to Whirlpool Corporation with any questions or concerns at:

Whirlpool Brand Home Appliances  
Customer eXperience Center  
553 Benson Road  
Benton Harbor, MI 49022-2692

Please include a daytime phone number in your correspondence.

### Replacement Filters

Replacement filters may be ordered by calling our Customer eXperience Center at **1-800-253-1301**.

You may also visit our website **www.whirlpool.com**.

**NOTE:** This information is also located on the HEPA filter for your convenience.

| Air Purifier Model No. | HEPA Filter Replacement Part No. | Pre-filter Replacement Part No. |
|------------------------|----------------------------------|---------------------------------|
| AP15030                | 1183050 or 1187017               | 1183062                         |
| AP25030                | 1183051 or 1187018               | 1183062                         |
| AP35030                | 1183052 or 1187021               | 1183063                         |
| AP45030                | 1183054 or 1187022               | 1183063                         |

### Quiet 30-Day Money-Back Guarantee

For 30 days from the date of purchase, if you are not completely satisfied that your new Whirlpool® air purifier is quieter than your previous high-efficiency air purifier, Whirlpool Corporation will take it back and refund the full purchase price to you. (Finance charges are not included.) Contact the Whirlpool Customer eXperience Center toll-free at **1-800-253-1301** for money-back guarantee procedures.

---

# WHIRLPOOL® AIR PURIFIER WARRANTY

---

## ONE YEAR LIMITED WARRANTY

For one year from the date of purchase, if the air purifier fails when operated and maintained according to instructions attached to or furnished with the product, Whirlpool Corporation will repair or, at our option, replace your air purifier. Your replacement unit is covered by our one year limited warranty. This warranty does not cover the replacement HEPA (High Efficiency Particulate Air) filter or pre-filter. Use of a non-Whirlpool Corporation specified filter will invalidate this warranty. Keep this book and your sales receipt together for future reference. You must provide proof of purchase or installation date for in-warranty service.

---

## SECOND THROUGH FIFTH YEAR LIMITED WARRANTY ON AIR PURIFIER MOTOR

For five years from the date of purchase, if the air purifier motor fails when operated and maintained according to instructions attached to or furnished with the product, Whirlpool Corporation will repair or, at our option, replace your air purifier.

---

### Whirlpool Corporation will not pay for:

1. Service calls to instruct you on how to use your air purifier, to replace house fuses or correct house wiring or reset circuit breakers, or to replace owner accessible air filters.
  2. Replacement when your air purifier is used in other than normal, single-family household use.
  3. Damage resulting from accident, alteration, misuse, abuse, fire, floods, acts of God, improper installation, installation not in accordance with local electrical codes, or use of products not approved by Whirlpool Corporation.
  4. Replacement parts, repair labor costs and/or replacement of a "failed" air purifier for units operated outside the United States.
  5. Repairs to parts or systems resulting from unauthorized modifications made to the appliance.
  6. Shipping or freight charges to return products for warranty service to Whirlpool Corporation.
  7. Damage resulting from improper packing of products returned for warranty service.
- 

### If you reside in the United States and your Whirlpool® air purifier should fail within the first year of ownership or the motor fails in the second through fifth year:

1. Call our Customer Interaction Center at **1-800-253-1301** (toll-free), 8 a.m. to 6 p.m., Monday through Friday or 9 a.m. to 4:30 p.m., Saturday (EST).
  2. Give the consultant your complete model and serial numbers.
  3. The consultant will identify the designated service center nearest your location.
  4. You will be responsible for insurance and freight or other transportation to our service center. Please include your name and address on a piece of paper along with a copy of the proof of purchase (register receipt, credit card charge slip, etc.). The air purifier should be properly packaged to avoid damage in transit since we will not be responsible for any such damage.
  5. Whirlpool Corporation will return the repaired unit, or at our option, an identical or comparable air purifier to your door free of charge.
- 

### WHIRLPOOL CORPORATION SHALL NOT BE LIABLE FOR INCIDENTAL OR CONSEQUENTIAL DAMAGES.

Some states do not allow the exclusion or limitation of incidental or consequential damages, so this exclusion or limitation may not apply to you. This warranty gives you specific legal rights and you may also have other rights which vary from state to state.

**Outside the 50 United States, this warranty does not apply. Contact your authorized Whirlpool dealer to determine if another warranty applies.**

If you need service, first see "Troubleshooting." Additional help can be found by checking "Assistance or Service," or by calling our Customer Interaction Center at **1-800-253-1301**, from anywhere in the U.S.A. or write: Whirlpool Corporation, Customer Interaction Center, 553 Benson Road, Benton Harbor, MI 49022-2692.

---

5/04

**Keep this book and your sales slip together for future reference. You must provide proof of purchase or installation date for in-warranty service.**

Write down the following information about your air purifier to better help you obtain assistance or service if you ever need it. You will need to know your complete model number and serial number. The model and serial number label is located on the bottom of your air purifier.

Dealer name \_\_\_\_\_

Address \_\_\_\_\_

Phone number \_\_\_\_\_

Model number \_\_\_\_\_

Serial number \_\_\_\_\_

Purchase date \_\_\_\_\_

# SEGURIDAD DEL PURIFICADOR DE AIRE

## Su seguridad y la seguridad de los demás es muy importante.

Hemos incluido muchos mensajes importantes de seguridad en este manual y en su electrodoméstico. Lea y obedezca siempre todos los mensajes de seguridad.



Este es el símbolo de advertencia de seguridad.

Este símbolo le llama la atención sobre peligros potenciales que pueden ocasionar la muerte o una lesión a usted y a los demás.

Todos los mensajes de seguridad irán a continuación del símbolo de advertencia de seguridad y de la palabra "PELIGRO" o "ADVERTENCIA". Estas palabras significan:

**⚠ PELIGRO**

Si no sigue las instrucciones de inmediato, usted puede morir o sufrir una lesión grave.

**⚠ ADVERTENCIA**

Si no sigue las instrucciones, usted puede morir o sufrir una lesión grave.

Todos los mensajes de seguridad le dirán el peligro potencial, le dirán cómo reducir las posibilidades de sufrir una lesión y lo que puede suceder si no se siguen las instrucciones.

## INSTRUCCIONES IMPORTANTES DE SEGURIDAD

**ADVERTENCIA:** A fin de reducir el riesgo de incendio o de choque eléctrico, no use este purificador de aire con ningún dispositivo semiconductor para el control de la velocidad.

**ADVERTENCIA:** A fin de reducir el riesgo de incendio, de choque eléctrico o de daños personales, no use en una ventana.

Desenchufe el purificador de aire antes de darle servicio.

## LEA Y GUARDE ESTAS INSTRUCCIONES

# REQUISITOS DE INSTALACIÓN

## Requisitos eléctricos

### ⚠️ ADVERTENCIA



#### Peligro de Choque Eléctrico

Conecte a un contacto de pared de conexión a tierra de 3 terminales.

No quite el terminal de conexión a tierra.

No use un adaptador.

No use un cable eléctrico de extensión.

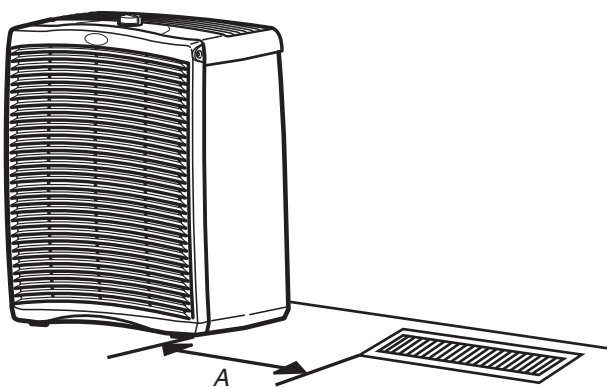
No seguir estas instrucciones puede ocasionar la muerte, incendio o choque eléctrico.

#### Conexión eléctrica

Para instalar el purificador de aire debidamente, debe determinar el tipo de conexión eléctrica que usará y seguir las instrucciones que se proveen aquí.

- El purificador de aire debe estar conectado a un tomacorriente para clavija de 3 terminales conectado a tierra con un fusible de 115 V, 60 Hz, 15- ó 20-amperios.
- Se recomienda usar un fusible o un cortacircuitos retardador.

## Requisitos de ubicación



A. Espacio mín. de 6" (15,2 cm)

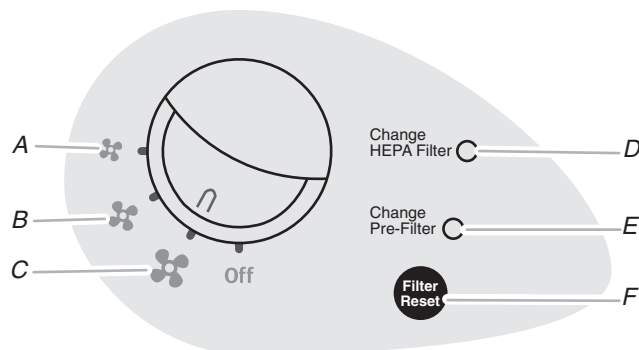
- Necesitará una superficie nivelada de por lo menos 6" (15,2 cm) de distancia de fuentes térmicas como estufas o unidades de calefacción.

- No bloquee los orificios de aire ni coloque el purificador de aire sobre una superficie suave como una cama o un sofá.
- Haga funcionar este producto solamente adentro.

# CÓMO FUNCIONA EL PURIFICADOR DE AIRE

## Cómo poner en marcha/detener su purificador de aire

**NOTA:** Antes de poner a funcionar el purificador de aire, anote la fecha de instalación en el filtro HEPA. En condiciones normales, el filtro HEPA debería ser reemplazado anualmente mientras que el prefiltro debería reemplazarse cada 3 meses. Para quitar y volver a colocar cualquiera de los filtros, vea "Reemplazo del filtro" en la sección "Cuidado del purificador de aire".



A. Baja velocidad de ventilación

C. Alta velocidad de ventilación

E. Luz del indicador del prefiltro

B. Velocidad media de ventilación

D. Luz del indicador del filtro HEPA

F. Botón de reajuste del filtro

### ⚠️ ADVERTENCIA



#### Peligro de Choque Eléctrico

Conecte a un contacto de pared de conexión a tierra de 3 terminales.

No quite el terminal de conexión a tierra.

No use un adaptador.

No use un cable eléctrico de extensión.

No seguir estas instrucciones puede ocasionar la muerte, incendio o choque eléctrico.

1. Conecte a un contacto de pared de conexión a tierra de 3 terminales.

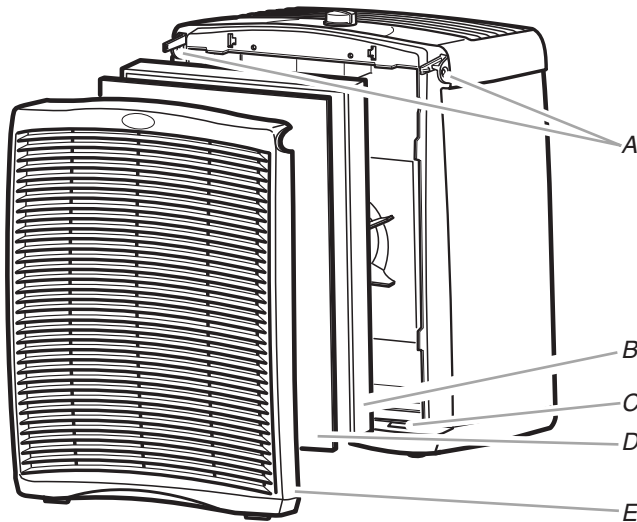
**NOTA:** Las luces indicadoras de ambos filtros destellarán una vez durante la autoverificación cuando se ponga a funcionar el purificador de aire o luego de un corte de electricidad.



2. Gire la perilla de velocidad del ventilador hasta el icono grande de ventilador (Alta), el icono mediano de ventilador (Media) o el icono pequeño de ventilador (Baja) para seleccionar la velocidad deseada.
3. Gire la perilla de velocidad del ventilador a la posición Off (Apagado) para apagar el purificador de aire.

## CUIDADO DEL PURIFICADOR DE AIRE

### Limpieza



A. Lengüetas de liberación  
B. Filtro HEPA  
C. Ranura inferior  
D. Prefiltro  
E. Rejilla delantera

1. Gire la perilla de velocidad del ventilador a la posición Off (Apagado).
2. Desenchufe el purificador de aire o desconecte el suministro de energía.
3. Coloque los dedos en las lengüetas de liberación delanteras. Empuje suavemente las lengüetas hacia adentro y jale la rejilla delantera hacia adelante para quitarla.
4. Quite ambos filtros y déjelos a un lado. No intente lavar y volver a usar ni el filtro HEPA ni el prefiltro.
5. Limpie el purificador de aire con un paño suave y húmedo.
6. Lave cuidadosamente la rejilla frontal en agua jabonosa.  
**NOTA:** La rejilla no es resistente a la lavavajillas.
7. Vuelva a ensamblar los filtros como se muestra en la ilustración previa.
8. Coloque las lengüetas inferiores de la rejilla frontal en las ranuras que se encuentran en la base del purificador de aire. Empuje la parte superior de la rejilla hacia delante hasta que ésta encaje en su lugar.
9. Enchufe el purificador de aire o reconecte el suministro de energía.
10. Gire la perilla de velocidad del ventilador hasta la velocidad deseada.

### Reemplazo del filtro

**NOTA:** Las luces indicadoras de los filtros encima del purificador de aire se iluminarán cuando llegue el momento de cambiar el prefiltro o el filtro HEPA. Para un funcionamiento más eficiente de su purificador de aire, en condiciones normales se recomienda que reemplace el prefiltro cada 3 meses y el filtro HEPA cada año. Consulte "Filtros de repuesto" en la sección "Ayuda o servicio técnico".

1. Gire la perilla de velocidad del ventilador a la posición Off (Apagado).
2. Desenchufe el purificador de aire o desconecte el suministro de energía.
3. Coloque los dedos en las lengüetas de liberación delanteras. Empuje suavemente las lengüetas hacia adentro y jale la rejilla delantera hacia adelante para quitarla.
4. Quite y reemplace el filtro indicado. Instale el nuevo filtro HEPA en la misma dirección que se muestra por la flecha ubicada en el marco del filtro. Instale el nuevo prefiltro colocándolo sobre las lengüetas.

**NOTA:** No intente lavar y volver a usar ni el filtro HEPA ni el prefiltro.

5. Coloque las lengüetas inferiores de la rejilla delantera dentro de las ranuras en la base del purificador de aire. Empuje la parte superior de la rejilla hacia adelante hasta que ésta encaje en su lugar.
6. Enchufe el purificador de aire o reconecte el suministro de energía.
7. Gire la perilla de velocidad del ventilador hasta la velocidad deseada.
8. Presione el botón de Reajuste del prefiltro por 5 segundos para apagar la(s) luz (luces) indicadora(s) del filtro y volver a fijar el temporizador.

**NOTA:** El presionar el botón de Filter Reset (Volver a fijar el filtro) antes de que cualquiera de las luces destelle no volverá a fijar el temporizador.

## SOLUCIÓN DE PROBLEMAS

**Primero, pruebe las soluciones aquí sugeridas y quizás se ahorre el costo de una visita de servicio técnico...**

### El purificador de aire no funciona.

#### ■ Revise lo siguiente:

- ¿Está encendido el purificador de aire?
- ¿Está el cable eléctrico enchufado en un tomacorriente de tres terminales conectado a tierra?
- ¿Se ha quemado un fusible o se ha disparado el cortacircuitos?
- ¿Se usó un fusible común? Use un fusible o un cortacircuitos retardador.

---

# AYUDA O SERVICIO TÉCNICO

Antes de solicitar ayuda o servicio técnico, por favor consulte la sección "Solución de Problemas." Esto le podría ahorrar el costo de una visita de servicio técnico. Si considera que aún necesita ayuda, siga las instrucciones que aparecen a continuación.

Cuando llame, tenga a mano la fecha de compra y el número completo del modelo y de la serie de su electrodoméstico. Esta información nos ayudará a atender mejor a su pedido.

---

## En los EE.UU.

Llame al Centro para la eXperiencia del cliente de Whirlpool sin costo alguno al: **1-800-253-1301**.

### Nuestros consultores ofrecen asistencia con respecto a:

- Características y especificaciones de nuestra línea completa de electrodomésticos.
- Información sobre instalación.
- Procedimiento para el uso y mantenimiento.
- Venta de accesorios y piezas para reparación.
- Asistencia especializada para el cliente (habla hispana, problemas de audición, visión limitada, etc.).
- Recomendaciones con distribuidores locales, compañías que dan servicio y distribuidores de partes para reparación. Los técnicos de servicio designados por Whirlpool están entrenados para cumplir con la garantía del producto y ofrecer servicio una vez que la garantía termine, en cualquier lugar de los Estados Unidos.

Para localizar a una compañía de servicio designada por Whirlpool en su área, también puede consultar la sección amarilla de su guía telefónica.

---

### Para obtener más asistencia

Si necesita asistencia adicional, puede escribir a Whirlpool Corporation con sus preguntas o dudas a:

Whirlpool Brand Home Appliances  
Customer eXperience Center  
553 Benson Road  
Benton Harbor, MI 49022-2692

Favor de incluir un número telefónico de día en su correspondencia.

---

## Filtros de repuesto

Para pedir filtros de repuesto, llame a nuestro Centro para la eXperiencia del cliente al **1-800-253-1301**.

También puede visitar nuestro sitio Web: [www.whirlpool.com](http://www.whirlpool.com).

**NOTA:** Para su conveniencia, esta información también está ubicada en el filtro HEPA.

---

| Purificador de aire Modelo No. | Filtro HEPA Pieza de repuesto No. | Prefiltro Pieza de repuesto No. |
|--------------------------------|-----------------------------------|---------------------------------|
| AP15030                        | 1183050 ó 1187017                 | 1183062                         |
| AP25030                        | 1183051 ó 1187018                 | 1183062                         |
| AP35030                        | 1183052 ó 1187021                 | 1183063                         |
| AP45030                        | 1183054 ó 1187022                 | 1183063                         |

---

---

## Garantía de silencio de 30 días o el reembolso de su dinero

Por 30 días a partir de la fecha de compra, si su nuevo purificador de aire de Whirlpool® no le resulta más silencioso que su antiguo purificador de aire de alto rendimiento, Whirlpool Corporation lo recibirá de vuelta y le reembolsará a usted el precio total de la compra (no se incluyen los gastos de financiamiento). Llame al número telefónico gratuito del Centro para la eXperiencia del cliente de Whirlpool al **1-800-253-1301** para los trámites de garantía de reembolso de dinero.

---

# GARANTÍA DEL PURIFICADOR DE AIRE WHIRLPOOL®

---

## GARANTÍA LIMITADA DE UN AÑO

Por un año a partir de la fecha de compra, si el purificador de aire falla mientras haya sido operado y mantenido según las instrucciones adjuntas o provistas con el producto, Whirlpool Corporation reparará o, según nuestra opción, reemplazará su purificador de aire. La unidad de reemplazo está cubierta por nuestra garantía limitada de un año. Esta garantía no se aplica al filtro HEPA (Aire particulado altamente eficaz) ni al prefiltro de repuesto. El uso de un filtro que no sea especificado por Whirlpool Corporation anulará esta garantía. Guarde este libro y su comprobante de compra juntos para referencia futura. Usted deberá proporcionar el comprobante de la compra o una fecha de instalación para obtener servicio bajo la garantía.

---

## GARANTÍA LIMITADA DEL SEGUNDO AL QUINTO AÑO EN EL MOTOR DEL PURIFICADOR DE AIRE

Por cinco años a partir de la fecha de compra, si el motor del purificador de aire falla mientras haya sido operado y mantenido según las instrucciones adjuntas o provistas con el producto, Whirlpool Corporation reparará o, según nuestra opción, reemplazará su purificador de aire.

---

### Whirlpool Corporation no se hará cargo de:

1. Visitas de servicio técnico para enseñarle a usar el purificador de aire, cambiar los fusibles de la casa, corregir el cableado de la casa, volver a fijar los cortacircuitos o cambiar los filtros de aire que estén al alcance del propietario.
  2. Reemplazo cuando se haya dado al purificador de aire un uso diferente al doméstico normal de una sola familia.
  3. Daños causados por accidente, alteración, uso indebido, abuso, incendio, inundación, actos fortuitos, instalación incorrecta, instalación que no esté de acuerdo con los códigos locales de electricidad o el empleo de productos no aprobados por Whirlpool Corporation.
  4. Las piezas de repuesto, del gasto del trabajo de reparación y/o el reemplazo del purificador de aire "defectuoso" para unidades utilizadas fuera de los EE.UU.
  5. Reparaciones de piezas o sistemas como resultado de modificaciones no autorizadas que se hayan efectuado en el electrodoméstico.
  6. Costo de envío o flete para devolver productos para servicio bajo la garantía a Whirlpool Corporation.
  7. Daños causados por una manipulación inadecuada de los productos devueltos para servicio bajo la garantía.
- 

### Si usted reside en los Estados Unidos y su purificador de aire de Whirlpool® falla durante el primer año de adquisición o el motor falla durante el segundo al quinto año:

1. Llame a nuestro número telefónico gratuito del Centro de interacción del cliente al **1-800-253-1301**, de lunes a viernes de 8 a.m. a 6 p.m., y los sábados de 9 a.m. a 4:30 p.m. (Hora del Este).
  2. Dé al especialista el número completo del modelo y de la serie.
  3. El especialista identificará el centro de servicio técnico designado más cercano a su domicilio.
  4. Usted se deberá hacer cargo del seguro y flete u otro transporte hasta nuestro centro de servicio técnico. Sírvase incluir su nombre y domicilio en un papel junto con la copia del comprobante de compra (recibo de registradora, comprobante de pago con tarjeta de crédito, etc.). El purificador de aire debe estar debidamente empaquetado para que no se dañe durante el transporte dado que no nos haremos cargo de ningún daño producido de esa manera.
  5. Whirlpool Corporation le entregará la unidad reparada o, según nuestra opción, un purificador de aire idéntico o comparable en su domicilio libre de cargo.
- 

### WHIRLPOOL CORPORATION NO SE HARÁ RESPONSABLE POR DAÑOS INCIDENTALES O CONSECUENTES.

Algunos estados no permiten la exclusión o limitación de daños incidentales o consecuentes, de modo que esta exclusión o limitación quizás no le corresponda. Esta garantía le otorga derechos legales específicos y es posible que usted tenga también otros derechos que pueden variar de un estado a otro.

### Esta garantía no tiene vigor fuera de los cincuenta Estados Unidos. Póngase en contacto con el distribuidor autorizado de Whirlpool de su zona para determinar si corresponde otra garantía.

Si necesita servicio técnico, vea primero la sección "Solución de Problemas". Puede encontrar ayuda adicional en la sección "Ayuda o servicio técnico," o al llamar a nuestro Centro de interacción del cliente al **1-800-253-1301** desde cualquier lugar de los EE.UU. o escriba a: Whirlpool Corporation, Customer Interaction Center, 553 Benson Road, Benton Harbor, MI 49022-2692.

5/04

---

**Guarde este libro y su comprobante de ventas juntos para consulta futura. Para obtener el servicio de la garantía deberá proporcionar un comprobante de compra o la fecha de instalación del electrodoméstico.**

Anote la siguiente información acerca de su purificador de aire para facilitar la obtención de asistencia o servicio si llegara a necesitarlo. Usted tendrá que saber el número completo del modelo y de la serie. La etiqueta con el número de modelo y de serie está ubicada en la parte inferior de su purificador de aire.

Nombre del distribuidor \_\_\_\_\_

Dirección \_\_\_\_\_

Número de teléfono \_\_\_\_\_

Número del modelo \_\_\_\_\_

Número de la serie \_\_\_\_\_

Fecha de compra \_\_\_\_\_

**1187991A**

© 2004 Whirlpool Corporation.  
All rights reserved.  
Todos los derechos reservados.

© Registered Trademark/TM Trademark of Whirlpool, U.S.A.  
© Marca registrada/TM Marca de comercio de Whirlpool, EE.UU.

8/04  
Printed in U.S.A.  
Impreso en EE.UU.