

Frigidaire

Factory Parts Catalog

Product No.	GLHS39EHB2	GLHS39EHW2	GLHS39EHPB2	GLHS39EHPW2	GLHS39EHSB2
Series	Gallery	Gallery	Gallery	Gallery	Gallery
Color	black	white	black (smooth)	white (smooth)	stainless/black
Volts	115	115	115	115	115
Wiring Diagram	241725001	241725001	241725001	241725001	241725001
Owner's Guide	241856000	241856000	241856000	241856000	241856000
Market	North America	North America	North America	North America	North America
Energy Guide	241768132	241768132	241768134	241768134	241768133
Service Data Sheet	240389633	240389633	240389633	240389633	240389633



Electrolux Major Appliances
 North & Latin America
 P.O. BOX 212378
 AUGUSTA, GA 30917

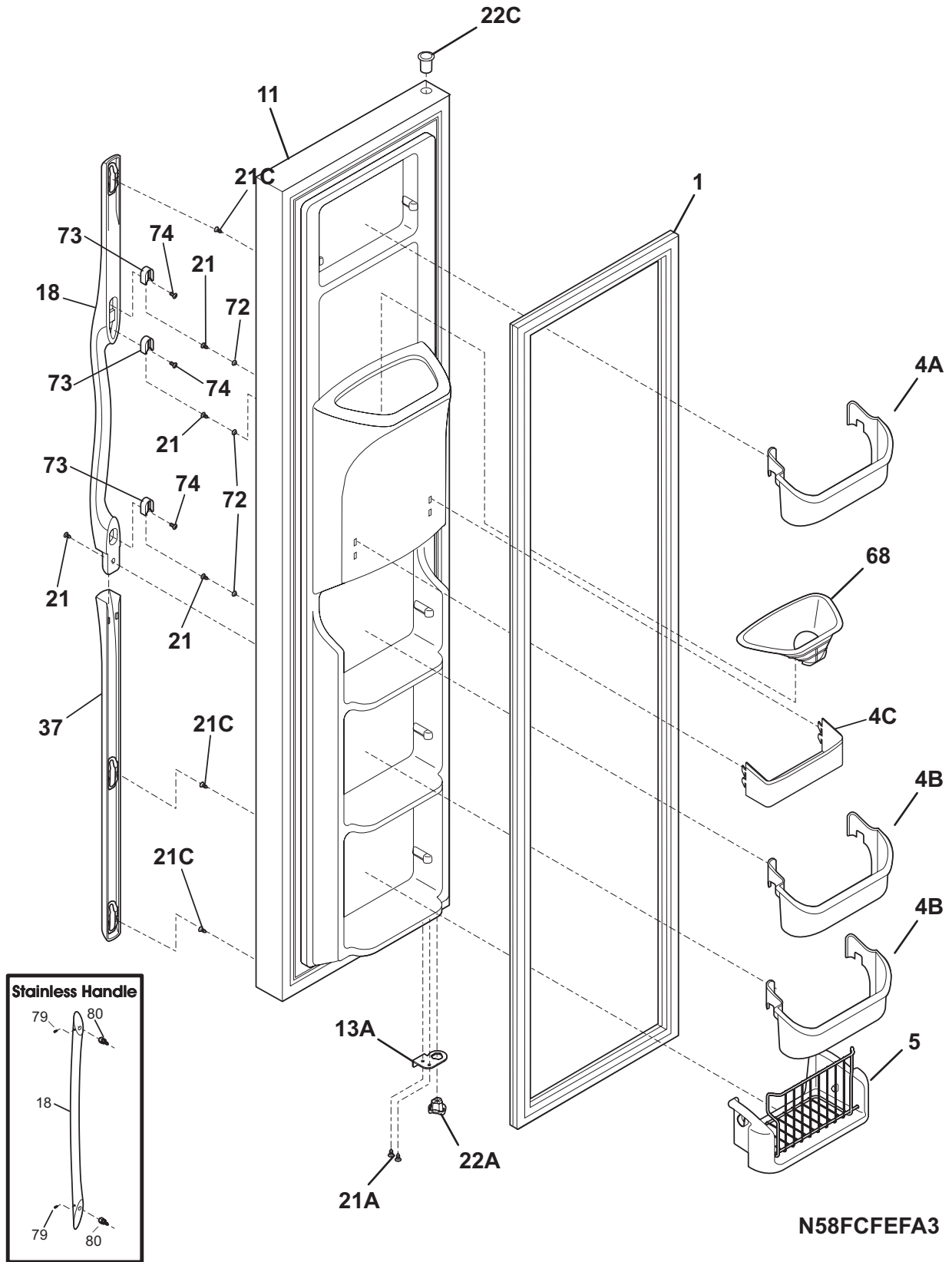
Publication No.
5995495347
 07/07/17
 (EN/SERVICE/RLF)
 137

**SIDE-BY-SIDE
 REFRIGERATOR**

Model No.
GLHS39EH

Copyright © 2007 Electrolux Home Products, Inc.
 All rights reserved.

FREEZER DOOR

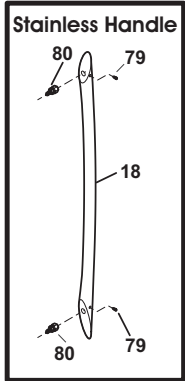
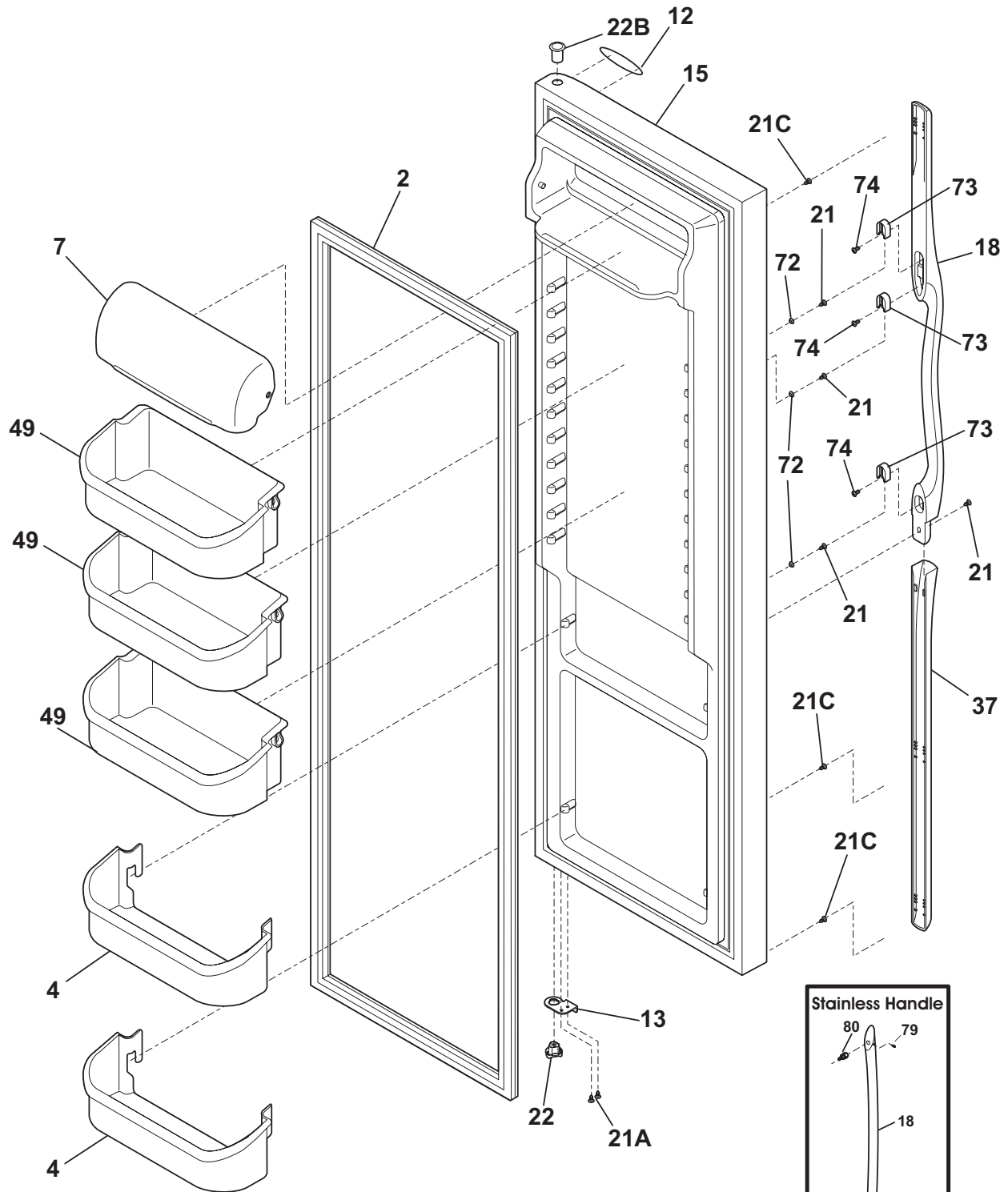


FREEZER DOOR

Model Index: A GLHS39EH (GLHS39EHB2)
 B GLHS39EH (GLHS39EHW2)
 C GLHS39EH (GLHS39EHPB2)
 D GLHS39EH (GLHS39EHPW2)
 E GLHS39EH (GLHS39EHSB2)

POS. NO	PART NO.		DESCRIPTION
1 #	241674808	A - C - E	Gasket-frzr door, black, magnetic
1 #	241674804	- B - D -	Gasket-frzr door, white, magnetic
4A	240367301	A B C D E	Bin-door, frzr-upper
4B	240359001	A B C D E	Bin-door
4C	240358401	A B C D E	Bin-door, frzr-dispenser
5	241545004	A B C D E	Bin-tilt out, tilt-out
11	241615172	A - - - -	Door-frzr, black, complete assy
11	241668108	- B - - -	Door-frzr, white, complete assy
11	241526792	- - C - -	Door-frzr, smooth black, complete assy
11	241526791	- - - D -	Door-frzr, smooth white, complete assy
11	241668192	- - - - E	Door-frzr, stainless, complete assy
13A	240581906	A - C - E	Door Stop, black, frzr
13A	240581902	- B - D -	Door Stop, white, frzr
18	241711705	A - - - -	Handle-door, black
18	241711704	- B - - -	Handle-door, white, frzr
18	240536810	- - C - -	Handle-door, black
18	240536809	- - - D -	Handle-door, white
18	240536818	- - - - E	Handle-door, stainless steel, with insert, & set screw
18*	241601001	- - - - E	Wrench, allen
21	218781101	A B C D E	Screw, pan head, 8-18 x 0.625
21A	240598402	A B C D E	Screw, 10-32 x 1/2
21C	240521304	A B - - -	Screw, #8-18 x 3/4
22A	240328204	A - C - E	Bearing-hinge(frz), black, closer
22A	240328202	- B - D -	Bearing-hinge(frz), closer
22C	240328404	A - C - E	Bearing-hinge, black, upper
22C	240328402	- B - D -	Bearing-hinge, natural, upper
37	241711602	A - - - -	Trim-handle, 30.13", black, lower
37	241711601	- B - - -	Trim-handle, 30.13", white, lower
68	241525101	A B C D E	Chute-ice
72	240421701	A B - - -	Button-handle mtg, dovetail
73	218396700	A B - - -	Block-handle mtg, dovetail
74	215503204	A B - - -	Screw, cr pan hd, 10-16
79	218755402	- - C D E	Screw-set, 10-32 x 0.375
80	218755504	- - C D E	Screw-shoulder, #10 AB, handle mounting
*	240552102	A B C D E	Harness-wiring, door
*	241806601	A B C D E	Connector-water, straight
*	5303918256	A B C D E	Dispenser heater kit

REFRIGERATOR DOOR



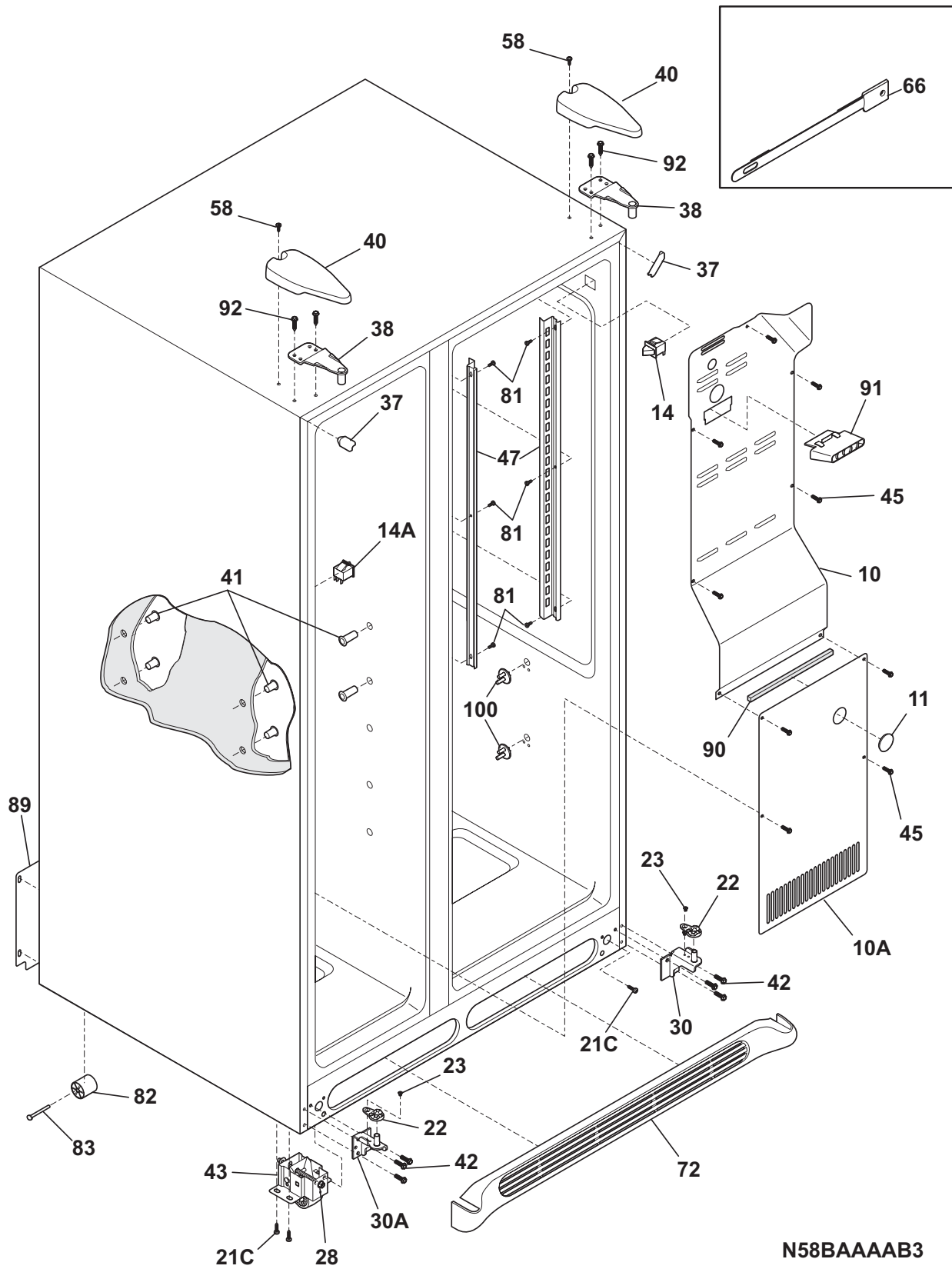
N58RCFAAA2

REFRIGERATOR DOOR

Model Index: A GLHS39EH (GLHS39EHB2)
 B GLHS39EH (GLHS39EHW2)
 C GLHS39EH (GLHS39EHPB2)
 D GLHS39EH (GLHS39EHPW2)
 E GLHS39EH (GLHS39EHSB2)

POS. NO	PART NO.		DESCRIPTION
2 #	241674807	A - C - E	Gasket-refr door, black, magnetic
2 #	241674803	- B - D -	Gasket-refr door, white, magnetic
4	240363702	A B C D E	Bin-door, 2-liter
7	240338303	A B C D E	Door, dairy, clear
12	241808601	A B C D E	Label-nameplate
13	240581905	A - C - E	Door Stop, black, ref
13	240581901	- B - D -	Door Stop, white, refr
15	240451919	A - - - -	Door-refr, black, complete assy
15	240451913	- B - - -	Door-refr, white, complete assy
15	241534587	- - C - -	Door-refr, smooth black, complete assy
15	241534586	- - - D -	Door-refr, smooth white, complete assy
15	241534542	- - - - E	Door-refr, stainless, complete assy
18	241711702	A - - - -	Handle-door, black
18	241711701	- B - - -	Handle-door, white, refr
18	240536810	- - C - -	Handle-door, black
18	240536809	- - - D -	Handle-door, white
18	240536818	- - - - E	Handle-door, stainless steel, with insert, & set screw
18*	241601001	- - - - E	Wrench, allen
21	218781101	A B C D E	Screw, pan head, 8-18 x 0.625
21A	240598402	A B C D E	Screw, 10-32 x 1/2
21C	240521304	A B - - -	Screw, #8-18 x 3/4
22	240328203	A - C - E	Bearing-hinge, black, closer
22	240328201	- B - D -	Bearing-hinge(ref), closer
22B	240328404	A - C - E	Bearing-hinge, black, upper
22B	240328402	- B - D -	Bearing-hinge, natural, upper
37	241711602	A - - - -	Trim-handle, 30.13", black, lower
37	241711601	- B - - -	Trim-handle, 30.13", white, lower
49	241808203	A B C D E	Bin-door, gallon
49*	241780301	A B C D E	Liner, bin
72	240421701	A B - - -	Button-handle mtg, dovetail
73	218396700	A B - - -	Block-handle mtg, dovetail
74	215503204	A B - - -	Screw, cr pan hd, 10-16
79	218755402	- - C D E	Screw-set, 10-32 x 0.375
80	218755504	- - C D E	Screw-shoulder, #10 AB, handle mounting

CABINET



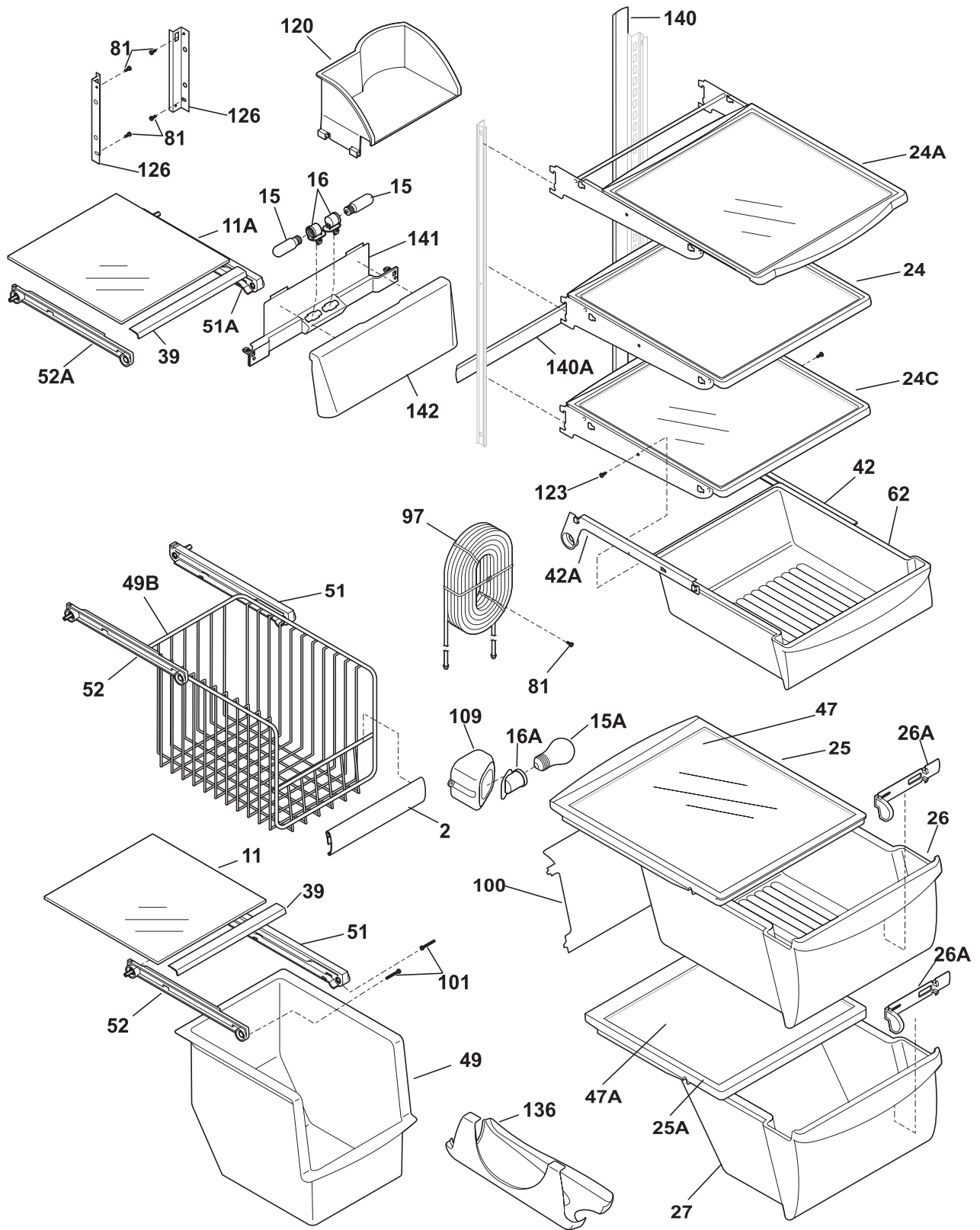
N58BAAAAB3

CABINET

Model Index: A GLHS39EH (GLHS39EHB2)
 B GLHS39EH (GLHS39EHW2)
 C GLHS39EH (GLHS39EHPB2)
 D GLHS39EH (GLHS39EHPW2)
 E GLHS39EH (GLHS39EHSB2)

POS. NO	PART NO.	A	B	C	D	E	DESCRIPTION
10	240435911						Cover-air duct
10A	240475910						Cover-evap coil, lower
11	5303208309						Plug-hole, factory test
14	240505801						Switch, light/lamp
14A	241547901						Switch-light/lamp, frzr door
21C	218252201						Screw, #8 truss hd, 10-32CA x 0.500
22	240457702		-				Plate-door closer
22	240457701		-				Plate-door closer
23	240402702						Screw-#10-32 x 1/4 flat hd
28	241708801						Bolt-roller adj, hex washer head, 1/4-20 x 4.020, (2), special
30	241603703						Bracket-lower hinge, ref
30A	241603704						Bracket-lower hinge
37	240337610		-				Trim-cabinet corner, black, (2)
37	240337608		-				Trim-cabinet corner, white, (2)
38	240327207						Bracket-upper hinge
40	241816003		-				Cover-hinge, black
40	241816001		-				Cover-hinge, white
41	241550801						Grommet-shelf mtg, 1.40" long
41*	241550701						Grommet-shelf mtg, .96" long
42	240578902						Screw-hinge mtg, hex head, 1/4-20 x 5/8
43	241709301						Roller Assy, adjustable, front, (2)
45	241500303						Screw, hex washer head, 8-18AB x 0.500
47	240349402						Channel-shelf mtg, side, (2)
58	241595402						Screw-#10-32 X 3/4
66	5304424968						Damper Cover Assy
66*	240518802						Pin-push, push-in, plastic
72	240324405		-				Grille/Kickplate, black
72	240324401		-				Grille/Kickplate, white
81	5304455650						Screw, hex washer head, 8-15A x 0.625, low profile
82	5304418225						Roller, compressor base, rear, (2)
83	5304455655						Rivet, flat head, 1/4 OD x 1-3/4, roller pin
89	241733901						Cover-access, w/label
90	218249807						Seal-coil cover
91	240380101						Duct-ice maker
92	241710601						Screw, hex washer hd, 1/4 x 7/8, hinge mtg
100	240423701						Support, crisper cover, front, (4)
100*	240350802						Support, crisper cover, rear, (4)
*	240396801						Clamp, tube/wiring, nylon, black/natural
*	240479601						Plug, button, cab liner holes
*	5303321321		-				Paint, touch-up, black
*	5303321319		-				Paint, touch-up, white

SHELVES



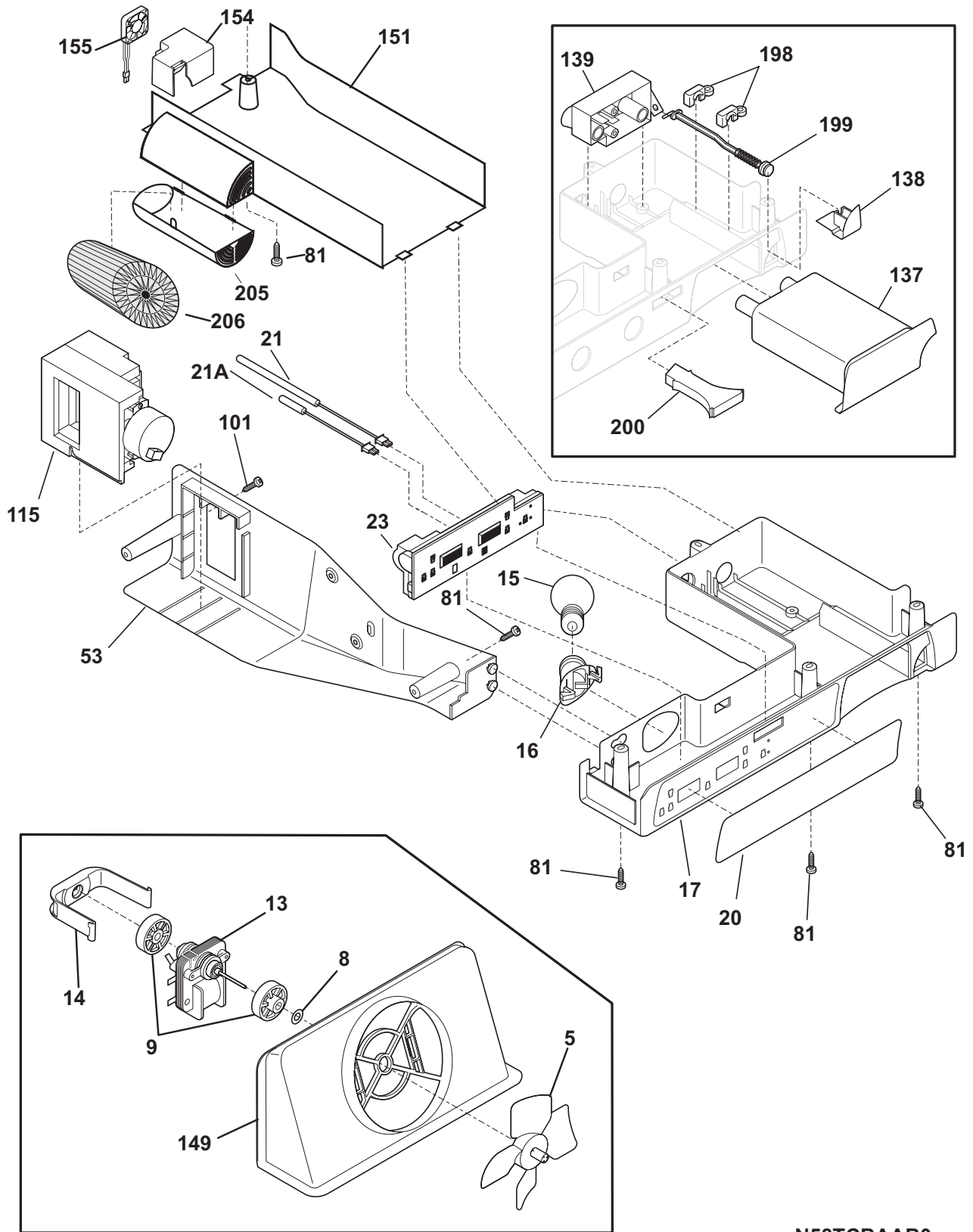
N58SKDEBD1

SHELVES

Model Index: A GLHS39EH (GLHS39EHB2)
 B GLHS39EH (GLHS39EHW2)
 C GLHS39EH (GLHS39EHPB2)
 D GLHS39EH (GLHS39EHPW2)
 E GLHS39EH (GLHS39EHSB2)

POS. NO	PART NO.	A	B	C	D	E	DESCRIPTION
2	241510603	A	B	C	D	E	Trim-basket
11	240350648	A	B	C	D	E	Shelf-freezer, glass, lower
11A	240350647	A	B	C	D	E	Shelf-freezer, glass, upper
15	241552801	A	B	C	D	E	Light Bulb
15A	241555401	A	B	C	D	E	Light Bulb
16	240590401	A	B	C	D	E	Socket-light
16*#	241537504	A	B	C	D	E	Harness-wiring
16A#	241513901	A	B	C	D	E	Socket-light
24	240355201	A	B	C	D	E	Shelf-"Spill-Safe", fixed, (1)
24A	240355204	A	B	C	D	E	Shelf-"Spill-Safe", fixed, (3)
24C	240350101	A	B	C	D	E	Shelf-"Spill-Safe", cantilever, sliding
25	240354502	A	B	C	D	E	Cover-crisper pan, upper
25*	240362101	A	B	C	D	E	Clip-slide, cover-crisper
25A	240354602	A	B	C	D	E	Cover-crisper pan, lower
26	240354716	A	B	C	D	E	Pan-crisper, upper
26*	240349801	A	B	C	D	E	Clip-slide, pan-crisper
26A	240351101	A	B	C	D	E	Control-humidity
27	240354817	A	B	C	D	E	Pan-crisper, lower
39	240367601	A	B	C	D	E	Trim-shelf, front
42	240356501	A	B	C	D	E	Track, meat pan hanger, RH
42A	240349701	A	B	C	D	E	Hanger-meat pan, LH
42A*	240349901	A	B	C	D	E	Block-meat pan rail, LH
42A*	240350001	A	B	C	D	E	Spring-meat pan rail
47	240350613	A	B	C	D	E	Insert-pan cover, glass
47A	240350614	A	B	C	D	E	Insert-pan cover, glass
49	240564301	A	B	C	D	E	Basket-sliding
49B	240530503	A	B	C	D	E	Basket-sliding, upper, full
51	240343002	A	B	C	D	E	Hanger-basket, RH
51A	240395502	A	B	C	D	E	Hanger-basket, RH
52	240343102	A	B	C	D	E	Hanger-basket, LH
52A	240395602	A	B	C	D	E	Hanger-basket, LH
62	240355517	A	B	C	D	E	Pan-meat
81	5304455650	A	B	C	D	E	Screw, hex washer head, 8-15A x 0.625, low profile
97	240545307	A	B	C	D	E	Water Tank
100	240326303	A	B	C	D	E	Cover-water tank
101	218493101	A	B	C	D	E	Screw, hex washer head, 8-18AB x 1-3/4
109	240351301	A	B	C	D	E	Base-crisper light socket
120	240342901	A	B	C	D	E	Shelf-ice cream
123	215005101	A	B	C	D	E	Screw, hanger/rlr mtg, 8-10 x 7/16
126	241674401	A	B	C	D	E	Channel, auger mtg, LH
126	241674402	A	B	C	D	E	Channel, auger mtg, RH
136	241657701	A	B	C	D	E	Dispenser-can, white
140	240430501	A	B	C	D	E	Channel, wtr tube cover
140A	240430503	A	B	C	D	E	Channel, wtr tube cover
141	240585403	A	B	C	D	E	Bracket-light socket
142	240582703	A	B	C	D	E	Shield-light Mid Level
*	241768132	A	B	-	-	-	Energy Guide
*	241768134	-	-	C	D	-	Energy Guide
*	241768133	-	-	-	-	E	Energy Guide

CONTROLS



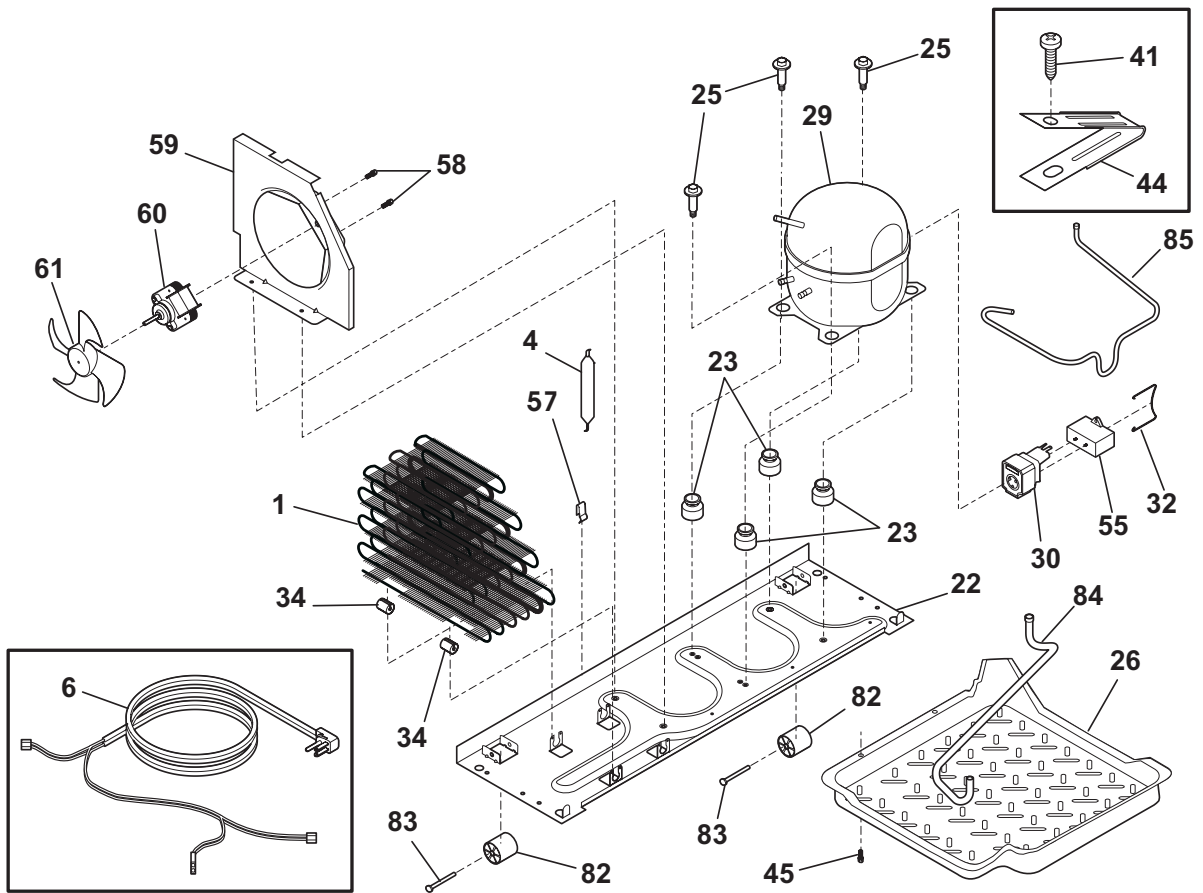
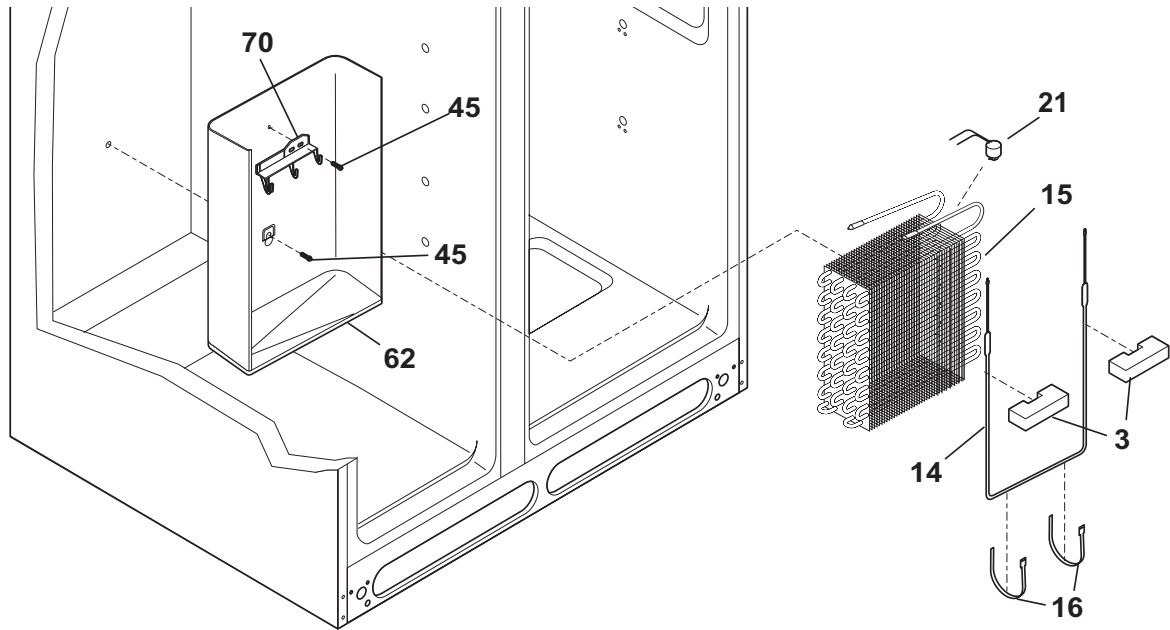
N58TCBAAB0

CONTROLS

Model Index: A GLHS39EH (GLHS39EHB2)
 B GLHS39EH (GLHS39EHW2)
 C GLHS39EH (GLHS39EHPB2)
 D GLHS39EH (GLHS39EHPW2)
 E GLHS39EH (GLHS39EHSB2)

POS. NO	PART NO.	A	B	C	D	E	DESCRIPTION
5 #	5308000010	A	B	C	D	E	Fan Blade, red, evaporator fan
8	215474201	A	B	C	D	E	Washer, "slinger", nylon, evap fan shaft
9	241563601	A	B	C	D	E	Bushing-motor mtg. (2)
13	240369702	A	B	C	D	E	Motor-evap fan
14	241517701	A	B	C	D	E	Clip, evap fan motor
15	241555401	A	B	C	D	E	Light Bulb
16 #	241513901	A	B	C	D	E	Socket-light
17	241633401	A	B	C	D	E	Box-control, front
17*#	241737801	A	B	C	D	E	Harness-wiring, control box
20	241603921	A	B	C	D	E	Label-control box
21 #	241608401	A	B	C	D	E	Thermistor-refr
21A#	241608501	A	B	C	D	E	Thermistor-frzr
23 #	241739703	A	B	C	D	E	Control, electronic, w/housing
23*	5304455649	A	B	C	D	E	Screw-timer mtg, pan hd, 6-20 x 0.438, (2)
53	241608901	A	B	C	D	E	Box-control
81	5304455650	A	B	C	D	E	Screw, hex washer head, 8-15A x 0.625, low profile
101	241637202	A	B	C	D	E	Screw, #8AB x 1 3/4"
115	241600905	A	B	C	D	E	Damper Assy, w/seal
137	240396401	A	B	C	D	E	Filter, water, carbon cassette, front, with o'rings
137*	240396701	A	B	C	D	E	Bypass, water filter, Optional Part
138	240397301	A	B	C	D	E	Button-filter release
139	240396002	A	B	C	D	E	Base-water filter
139*	240526901	A	B	C	D	E	O-ring, wtr filter base
149	241563401	A	B	C	D	E	Shroud-fan orifice
149*	241528305	A	B	C	D	E	Seal, shroud
151	241526001	A	B	C	D	E	Filter housing
154	241525801	A	B	C	D	E	Duct-air
155	241526102	A	B	C	D	E	Motor-air filter
155*	241611901	A	B	C	D	E	Harness-wiring, filter fan
198	240397401	A	B	C	D	E	Retainer
199	240397501	A	B	C	D	E	Rod
199*	240398401	A	B	C	D	E	Spring-filter release rod
200	240397601	A	B	C	D	E	Light Pipe
205	241525901	A	B	C	D	E	Air Filter Door
206	241504902	A	B	C	D	E	Filter-air
*	3205266	A	B	C	D	E	Edge Protector, wiring harness

SYSTEM



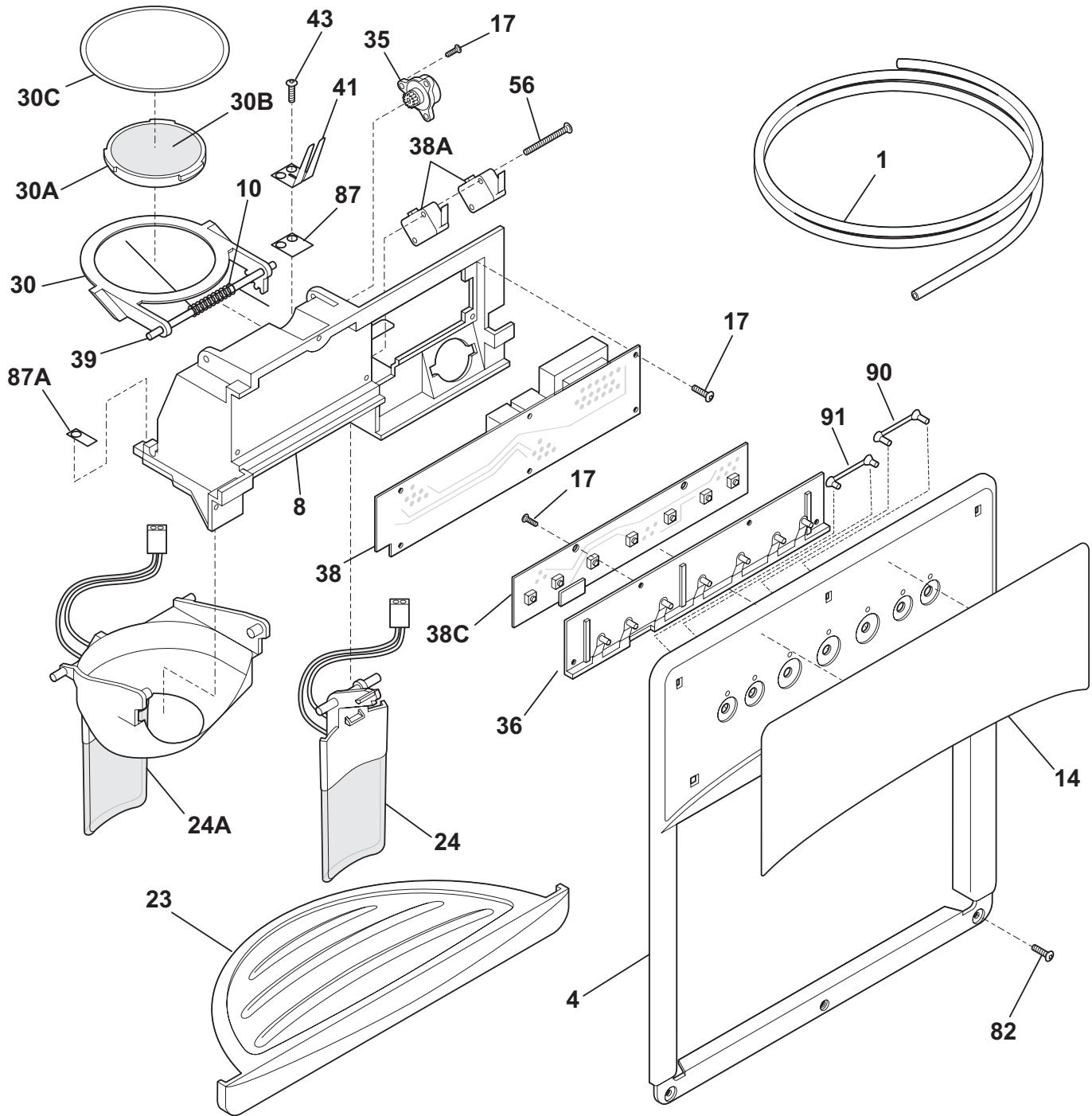
N58CAAAA5

SYSTEM

Model Index: **A** GLHS39EH (GLHS39EHB2)
 B GLHS39EH (GLHS39EHW2)
 C GLHS39EH (GLHS39EHPB2)
 D GLHS39EH (GLHS39EHPW2)
 E GLHS39EH (GLHS39EHSB2)

POS. NO	PART NO.	A	B	C	D	E	DESCRIPTION
1	240333602	A	B	C	D	E	Condenser
3	218679606	A	B	C	D	E	Block-evap coil, styrofoam, (2)
4 #	218944001	A	B	C	D	E	Drier-filter, R134a System
6	241586801	A	B	C	D	E	Harness-wiring, machine compt
6* #	241651601	A	B	C	D	E	Harness-wiring
6* #	241737801	A	B	C	D	E	Harness-wiring, control box
14 #	240316107	A	B	C	D	E	Heater-defrost
15 #	5303918286	A	B	C	D	E	Evaporator Kit
16	5308000110	A	B	C	D	E	Strap-evap/heater, aluminum, (2)
21 #	5303918214	A	B	C	D	E	Thermostat-defrost, kit
22	240330010	A	B	C	D	E	Base-compressor
22*	218252201	A	B	C	D	E	Screw, #8 truss hd, 10-32CA x 0.500
23	218513300	A	B	C	D	E	Grommet-compr mtg, (4)
25	240491503	A	B	C	D	E	Screw-compressor mtg, 1/4-28 x 1.16, (4)
26	241697601	A	B	C	D	E	Pan-defrost
29 #	5303918315	A	B	C	D	E	Compressor, w/electricals
30 #	241524605	A	B	C	D	E	Starter
32	218973501	A	B	C	D	E	Clamp, elec cont mtg, compressor
34	240405201	A	B	C	D	E	Grommet, rubber, black, cond tube/wire
41	240555002	A	B	C	D	E	Screw-#8-32 X 3/8
44	215174700	A	B	C	D	E	Clamp-service cord, strain relief, galv steel
45	5304455650	A	B	C	D	E	Screw, hex washer head, 8-15A x 0.625, low profile
55	218909913	A	B	C	D	E	Capacitor, run, 220 VAC, 15 microfarad
57	240542601	A	B	C	D	E	Clip-wiring harness
58	218897004	A	B	C	D	E	Screw, hex washer head, 8-32 x 0.375
59	5304430246	A	B	C	D	E	Bracket-cond motor assy
59*	240346701	A	B	C	D	E	Tape-foam seal, shroud
59*	240359403	A	B	C	D	E	Screw-fan shroud, (2)
60 #	240525402	A	B	C	D	E	Motor, condensor fan
61 #	240524101	A	B	C	D	E	Fan Blade, galv steel, condenser fan
62	240429401	A	B	C	D	E	Trough-drain
70	218990801	A	B	C	D	E	Bracket-evap/cvr mtg
82	5304418225	A	B	C	D	E	Roller, compressor base, rear, (2)
83	5304455655	A	B	C	D	E	Rivet, flat head, 1/4 OD x 1-3/4, roller pin
84	5304421068	A	B	C	D	E	Tube-drain, lower
85	240346201	A	B	C	D	E	Tube-connector, suction
* #	5303918328	A	B	C	D	E	Heat Exchanger Kit, suction line, service
*	5303918222	A	B	C	D	E	Hot Tube Repair Kit, service

ICE & WATER DISPENSER



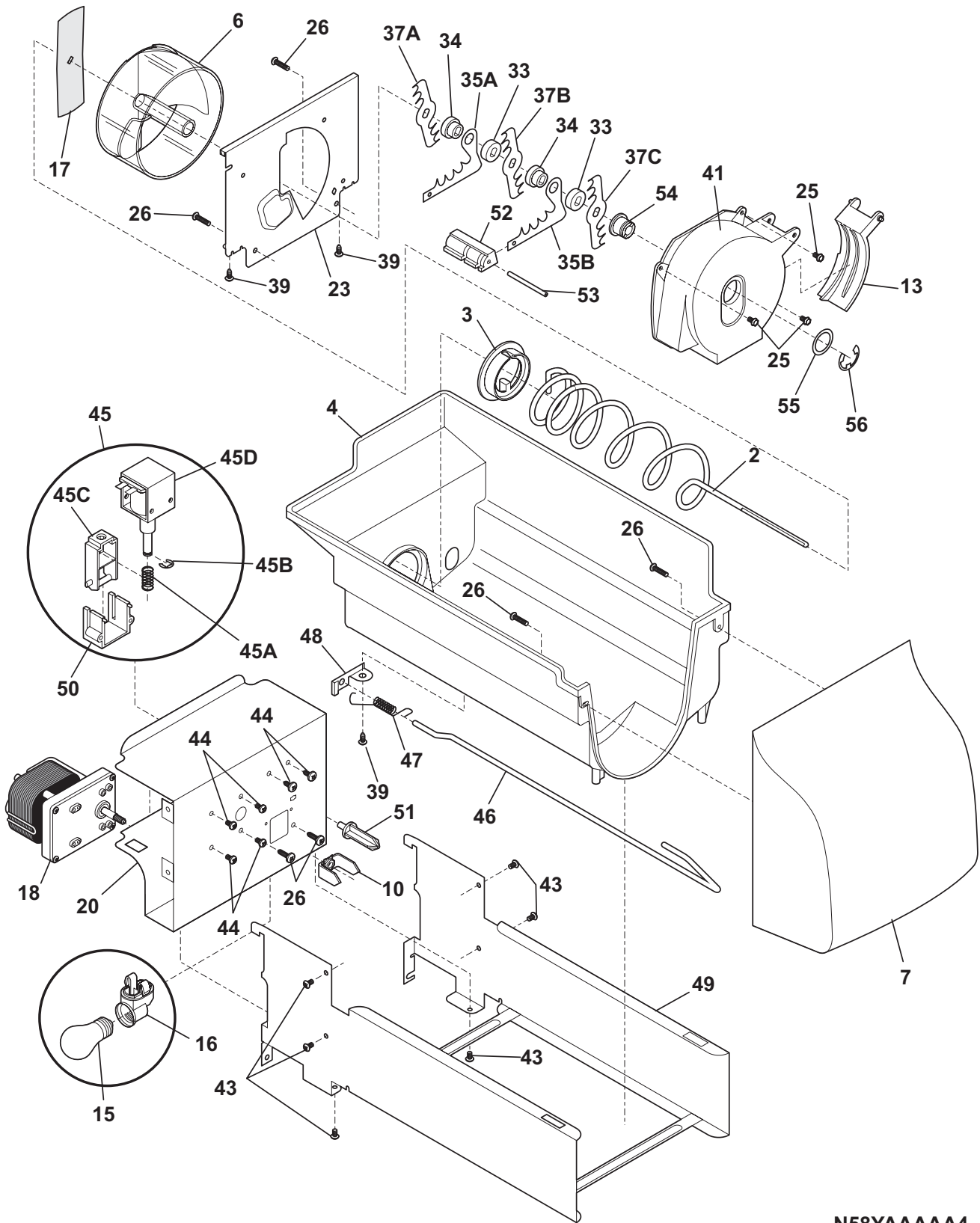
N58XEAAA1

ICE & WATER DISPENSER

Model Index: A GLHS39EH (GLHS39EHB2)
 B GLHS39EH (GLHS39EHW2)
 C GLHS39EH (GLHS39EHPB2)
 D GLHS39EH (GLHS39EHPW2)
 E GLHS39EH (GLHS39EHSB2)

POS. NO	PART NO.	A	B	C	D	E	DESCRIPTION
1	218976409	A	B	C	D	E	Tube, water, door
1*	218976418	A	B	C	D	E	Tube-water inlet, inlet valve, to filter
1*	218976419	A	B	C	D	E	Tube-water inlet, valve to door
1*	218976915	A	B	C	D	E	Tube-water inlet, inlet valve, to filter
1*	240561701	A	B	C	D	E	Seal-water inlet, inlet valve, to ice maker
4	241678703	A	-	C	-	E	Cover-module, black
4	241678701	-	B	-	D	-	Cover-module, white
8	241680503	A	-	C	-	E	Module-dispenser, black
8	241680501	-	B	-	D	-	Module-dispenser, white
10	241688901	A	B	C	D	E	Spring-torsion
14	240323969	A	-	C	-	E	Label-module cover, black
14	240323967	-	B	-	D	-	Label-module cover, white
17	241679801	A	B	C	D	E	Screw
23	241649003	A	-	C	-	E	Drip Tray, black
23	241649001	-	B	-	D	-	Drip Tray, white
24	241685703	A	-	C	-	E	Actuator-water, black
24	241685701	-	B	-	D	-	Actuator-water, white
24A	241682303	A	-	C	-	E	Actuator-ice, black
24A	241682301	-	B	-	D	-	Actuator-ice, white
30	241688401	A	B	C	D	E	Door Assy-ice chute
30A	241688501	A	B	C	D	E	Door center
30B	241688601	A	B	C	D	E	Insulation-door
30C	241688701	A	B	C	D	E	Door seal
35	241689301	A	B	C	D	E	Damper-rotary
36	241680301	A	B	C	D	E	Carrier
38 #	241708102	A	B	C	D	E	Board-power
38A#	241689101	A	B	C	D	E	Switch-micro, single pole, double throw
38C#	241708307	A	B	C	D	E	Board-control
38C*	241680001	A	B	C	D	E	Harness-ribbon cable
39	241688801	A	B	C	D	E	Pin-hinge
41	241689001	A	B	C	D	E	Spring-actuator
43	215296301	A	B	C	D	E	Screw, plask h/l, #6 x 3/8
56	241689201	A	B	C	D	E	Screw-micro switch, pan head
82	240363402	A	B	C	D	E	Screw-#8-18 X 1/2, #6 hd plask
87	241688302	A	B	C	D	E	Bearing Plate
87A	241688301	A	B	C	D	E	Bearing Plate
90	241680201	A	B	C	D	E	Light Pipe, reflector, long
91	241680101	A	B	C	D	E	Light Pipe, reflector, short
*	241686201	A	B	C	D	E	Insulator-electrical
*	5303918256	A	B	C	D	E	Dispenser heater kit

ICE CONTAINER



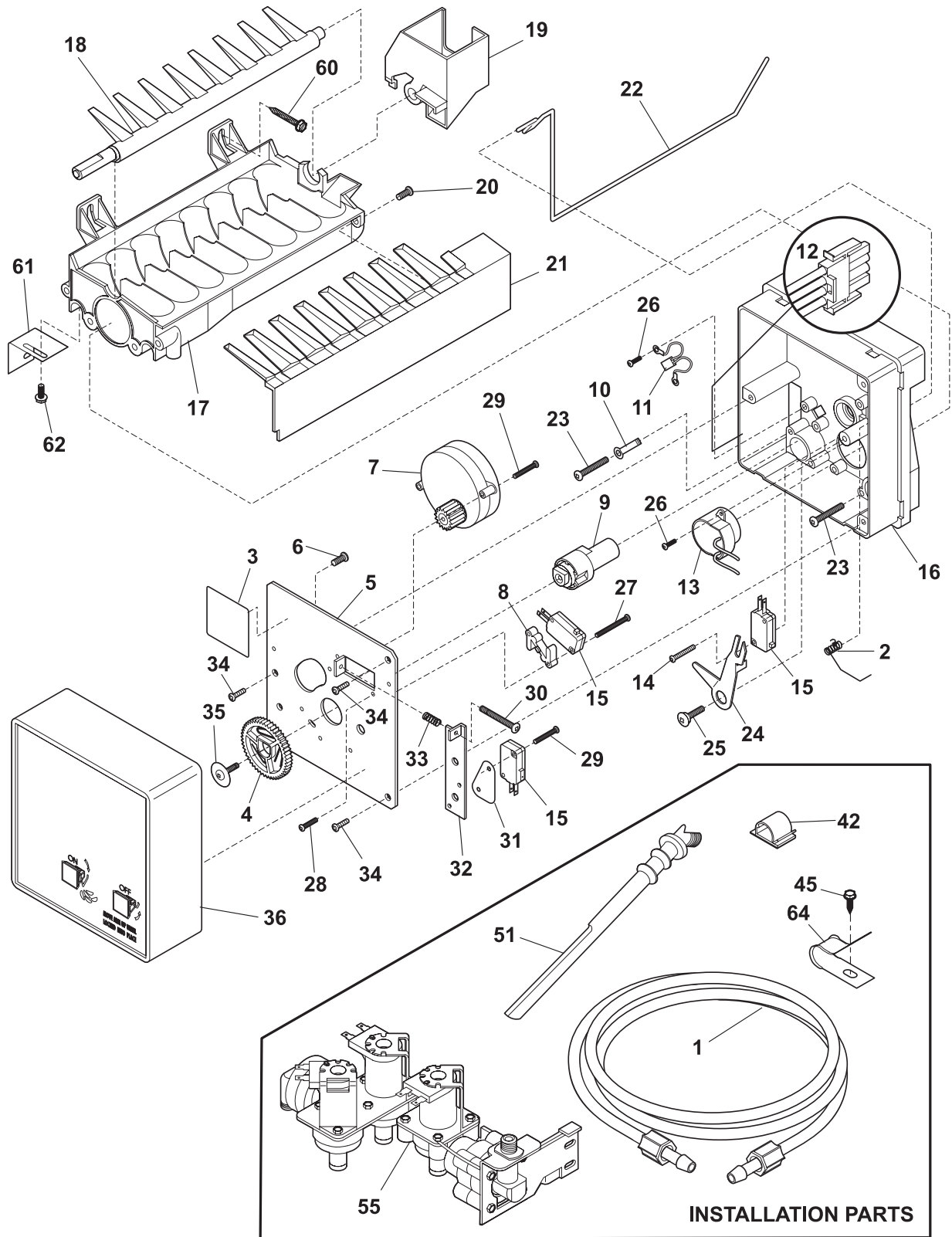
N58YAAAAA4

ICE CONTAINER

Model Index: A GLHS39EH (GLHS39EHB2)
 B GLHS39EH (GLHS39EHW2)
 C GLHS39EH (GLHS39EHPB2)
 D GLHS39EH (GLHS39EHPW2)
 E GLHS39EH (GLHS39EHSB2)

POS. NO	PART NO.	A	B	C	D	E	DESCRIPTION
2	241716101						Auger-ice
3	241685201						Cam-drive
4	241734001						Container-ice, bucket only
6	241685101						Drum-ice disp
7	241735301						Front-ice container
10	241726501						Bar-drive
13	241685301						Gate
15	241555401						Light Bulb
16 #	241559801						Socket-light
17	241684501						Drive Blade
18 #	241676202						Motor-auger, 115V
18*#	240352602						Harness-wiring, icmkr/container
20	241734802						Cover-motor
23	241684001						Plate-front
25	241690701						Screw, hex washer head, 8-32T x 0.375
26	215503205						Screw, cr pan hd, 10-16 x 0.500
33	241684801						Spacer
34	241689801						Spacer
35A	241684301						Fixed Blade, round
35B	241684201						Fixed Blade, square
37A	241684101						Blade, crusher #1
37B	241684102						Blade, crusher #2
37C	241684103						Blade, crusher #3
39	241690501						Screw
41	241685601						Housing-crusher
43	215005101						Screw, hanger/rlr mtg, 8-10 x 7/16
44	218359202						Screw, pan head, 8-32 x 0.250
45	241675701						Solenoid Assy, 115V
45A	241675901						Spring-solenoid
45B	241676001						E-Ring-solenoid
45C	241676101						Actuator-solenoid
45D	241675801						Solenoid, 115V
46	241716002						Control Rod
47	241731801						Spring-control rod
48	241684602						Bracket-control rod
49	241734401						Rail Assy
50	241675601						Guide-solenoid
51	241676301						Rotation Stop
52	241684901						Spacer-fixed blades
53	241690402						Pin-spiral, fixed blades
54	241685001						Nut-auger
55	241690301						Washer
56	241690201						E-ring
*	240323811						Ice Container Assy, w/moving parts

ICE MAKER



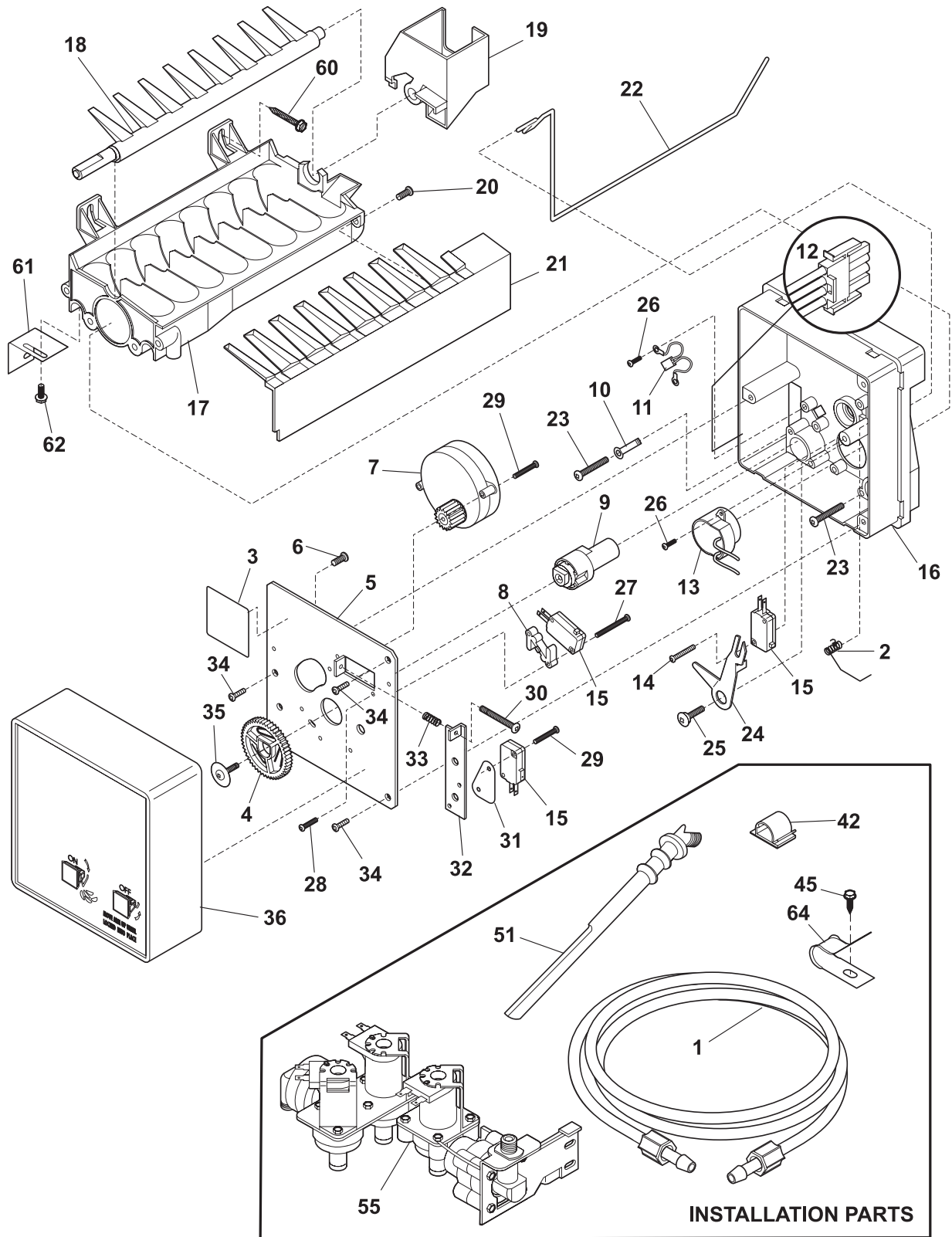
N581151

ICE MAKER

Model Index: A GLHS39EH (GLHS39EHB2)
 B GLHS39EH (GLHS39EHW2)
 C GLHS39EH (GLHS39EHPB2)
 D GLHS39EH (GLHS39EHPW2)
 E GLHS39EH (GLHS39EHSB2)

POS. NO	PART NO.	A	B	C	D	E	DESCRIPTION
1	218976409	A	B	C	D	E	Tube, water, door
1*	218976418	A	B	C	D	E	Tube-water inlet, inlet valve, to filter
1*	218976419	A	B	C	D	E	Tube-water inlet, valve to door
1*	218976915	A	B	C	D	E	Tube-water inlet, inlet valve, to filter
1*	240561701	A	B	C	D	E	Seal-water inlet, inlet valve, to ice maker
2	5304456650	A	B	C	D	E	Spring-shutoff arm, ICE MAKER
3	5304456657	A	B	C	D	E	Nameplate
4	5304456658	A	B	C	D	E	Gear
5	5304456659	A	B	C	D	E	Plate-mounting
6	5304456691	A	B	C	D	E	Screw, M 3x20 #3, valve plate
7 #	5304445222	A	B	C	D	E	Motor-ice maker Svo
7*	5304445223	A	B	C	D	E	Spring Beam
8	5304456661	A	B	C	D	E	Spacer-hold switch
9	5304456662	A	B	C	D	E	Cam
10	5304456689	A	B	C	D	E	Retainer
11 #	5304456663	A	B	C	D	E	Thermal Cutoff, ICE MAKER
12	5304456664	A	B	C	D	E	Harness-wiring
13	5304456665	A	B	C	D	E	Thermostat, ICE MAKER
14	5304455676	A	B	C	D	E	Screw, plask, 4x14x3/4
15 #	5304456667	A	B	C	D	E	Switch-micro, (3)
16	5304456668	A	B	C	D	E	Support
17	5304456669	A	B	C	D	E	Mold-ice maker, w/therm cut off
18	5304456670	A	B	C	D	E	Ejector-ice
18*	240352602	A	B	C	D	E	Harness-wiring, icmkr/container
19	5304456671	A	B	C	D	E	Bearing & Inlet, fill cup
20	5304455677	A	B	C	D	E	Screw, 8-32 x 3/8
21	5304456672	A	B	C	D	E	Ice Stripper
22	5304456673	A	B	C	D	E	Shut-off Arm
23	5304456674	A	B	C	D	E	Screw, M 4x25 #2, mold-to-support, (2)
24	5304456675	A	B	C	D	E	Lever Arm
25	5304456676	A	B	C	D	E	Screw, M 4x12.8 #2, lever arm/sprt
26	5304455680	A	B	C	D	E	Screw, plask, 4-14 x 3/8
27	5304456677	A	B	C	D	E	Screw, M 3x25 #3, hold switch mtg, (2)
28	5304456660	A	B	C	D	E	Screw, M 4x6 #2
29	5304456678	A	B	C	D	E	Screw, M 3x12 #3, (2)
30	5304456679	A	B	C	D	E	Screw-timing adj, M 4x25 #3
31	5304456680	A	B	C	D	E	Insulator
32	5304456681	A	B	C	D	E	Plate-valve switch
33	5304456682	A	B	C	D	E	Spring, shut-off arm
34	5304456683	A	B	C	D	E	Screw, M 4x12 #2, (3)
35	5304456684	A	B	C	D	E	Screw
36	5304456685	A	B	C	D	E	Cover-ice maker
36*	5304456690	A	B	C	D	E	Label, on/off
42	218515403	A	B	C	D	E	Clip-grille
45	5304455650	A	B	C	D	E	Screw, hex washer head, 8-15A x 0.625, low profile
51	241796401	A	B	C	D	E	Tube-water fill, extension

ICE MAKER



N581151

ICE MAKER

Model Index: A GLHS39EH (GLHS39EHB2)
 B GLHS39EH (GLHS39EHW2)
 C GLHS39EH (GLHS39EHPB2)
 D GLHS39EH (GLHS39EHPW2)
 E GLHS39EH (GLHS39EHSB2)

POS. NO	PART NO.	A	B	C	D	E	DESCRIPTION
55 #	241734301	A	B	C	D	E	Valve-water, triple solenoid
55*	218709101	A	B	C	D	E	Screw, hex head, 10-32 x 0.500
55*	240363602	A	B	C	D	E	Screw-shoulder
55*	240542901	A	B	C	D	E	Cap-water valve
60	5303207328	A	B	C	D	E	Screw, hex washer head, 8-15A x 1.000, (2)
61	5304456686	A	B	C	D	E	Bracket-leveling, ICE MAKER
62	5304456687	A	B	C	D	E	Screw-IM brkt mtg, special, 8-32D x 0.375
64	5303001549	A	B	C	D	E	Clamp, 0.31 ID, steel, copper wtr line
*	218888001	A	B	C	D	E	Adapter, water line, w/fittings
*	241806601	A	B	C	D	E	Connector-water, straight
*	5304456666	A	B	C	D	E	Screw, M 3x20 #2, (6)
*	5304456688	A	B	C	D	E	Terminal
*	5304456692	A	B	C	D	E	Washer
*	5304456693	A	B	C	D	E	Nut, M 3.5
*	5304456737	A	B	C	D	E	Washer
*	241642501	A	B	C	D	E	Ice Maker, radius cube, 115 V, Svce

WIRING SCHEMATIC

