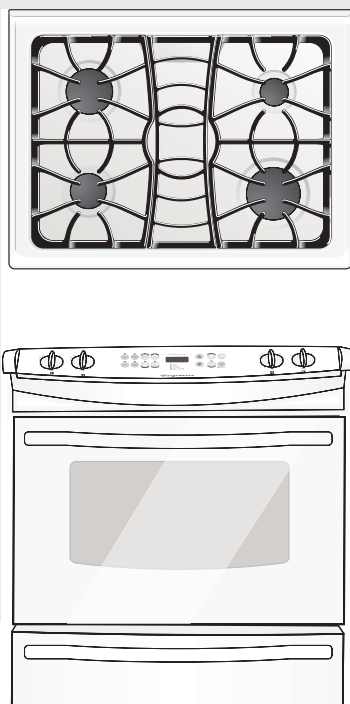


Frigidaire

Factory Parts Catalog



Product No.	GLCS389FBA	GLCS389FQA	GLCS389FSA
	37956361H6361	37956361H6341	37956361H6311
Series	30" slide-in	30" slide-in	30" slide-in
Color	black	bisque	white
Market	North America	North America	North America
Wiring Diagram	318271904	318271904	318271904
Owner's Guide	318203851	318203851	318203851
Installation Instructions	318201671	318201671	318201671
Service Data Sheet	318127021	318127021	318127021
Timer Guide	318200194	318200194	318200194

 **Electrolux**

Electrolux Major Appliances
North & Latin America
P.O. BOX 212378
AUGUSTA, GA 30917

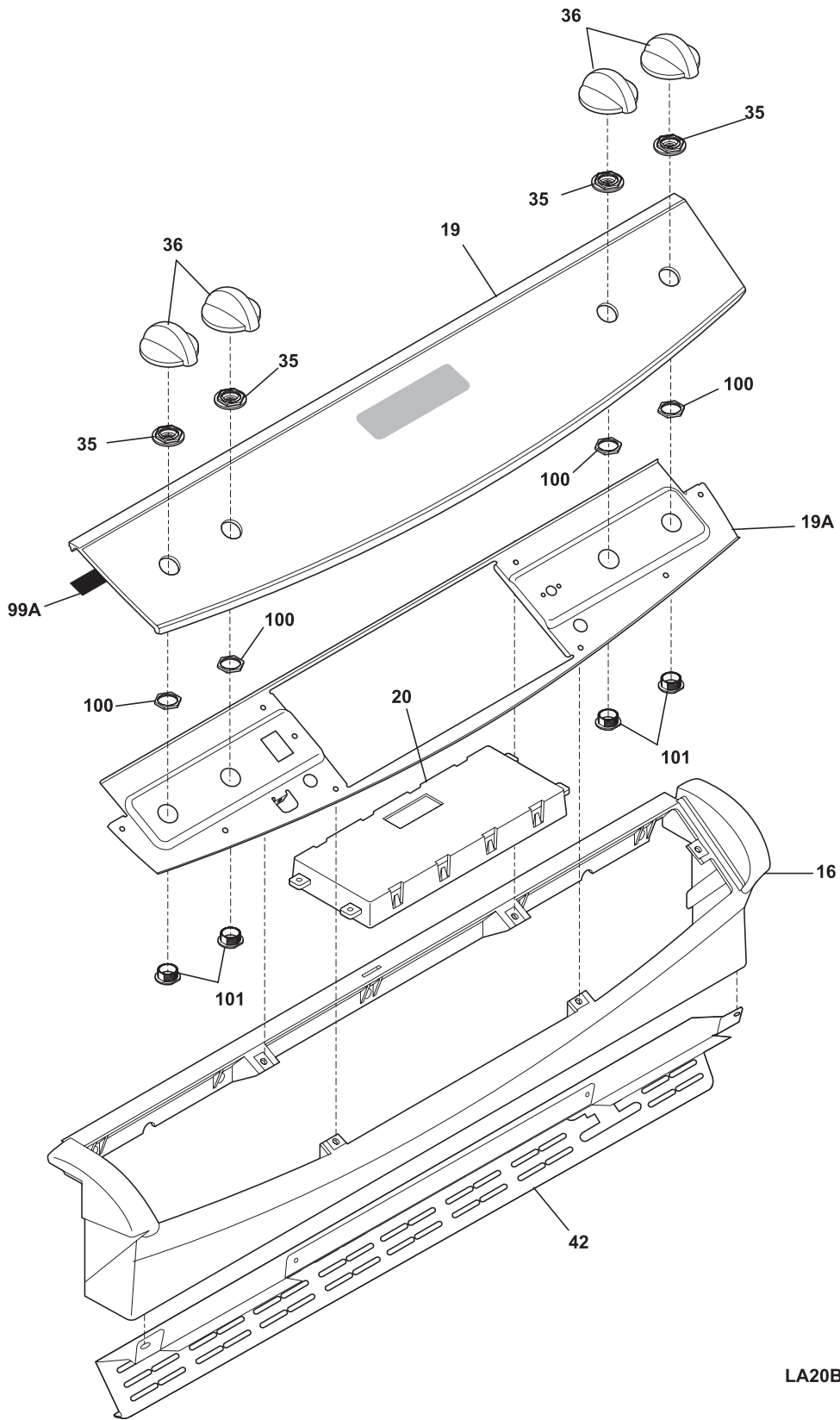
Publication No.
5995470910
06/07/26
(EN/SERVICE/ECL)
377

**30-INCH SLIDE-IN
DUAL FUEL RANGE**

**Model No.
GLCS389F**

Copyright © 2006 Electrolux Home Products, Inc.
All rights reserved.

BACKGUARD



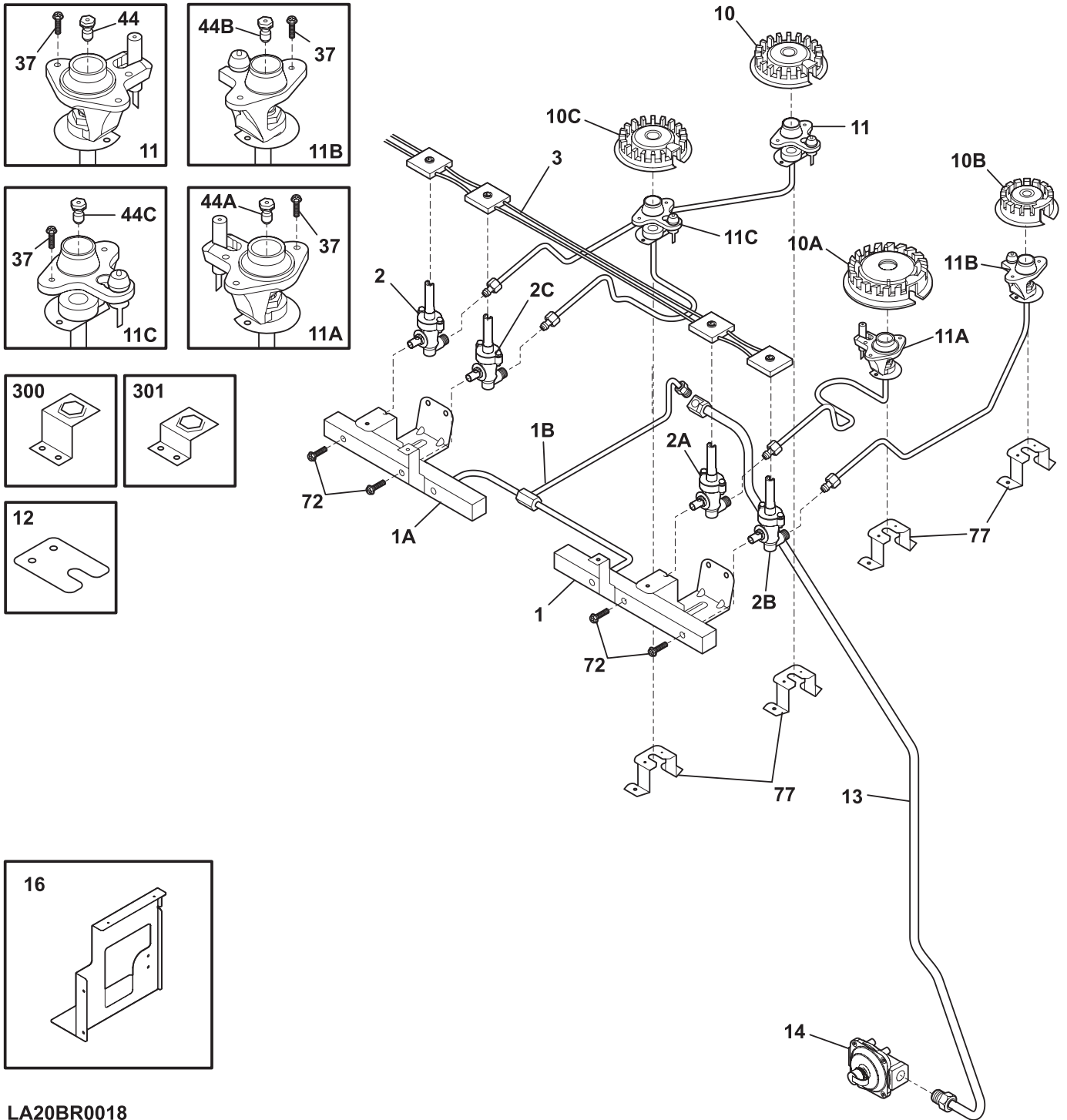
LA20BG0058

BACKGUARD

Model Index: A GLCS389F (GLCS389FSA)
 B GLCS389F (GLCS389FBA)
 C GLCS389F (GLCS389FQA)

POS. NO	PART NO.		DESCRIPTION
16	318299100	A - -	Console, assy., white
16	318299102	- B -	Console, assy., black
16	318299101	- - C	Console, assy., bisque
19	318312210	A - -	Control Panel Assembly, w/membrane, white
19	318312212	- B -	Control Panel Assembly, w/membrane, black
19	318312211	- - C	Control Panel Assembly, w/membrane, bisque
19A	318224404	A B C	Panel, control mtg.
20 #	316418731	A B C	Clock/Timer, electronic, ES510
20*	5304453707	A B C	Screw, control mtg.
35	318233721	A - -	Retainer, control panel, white
35	318233720	- B -	Retainer, control panel, black
35	318233722	- - C	Retainer, control panel, bisque
36	316223025	A - -	Knob, control, white
36	316223024	- B -	Knob, control, black
36	316223026	- - C	Knob, control, bisque
42	318298001	A B C	Trim, vent, black, upper
99A	318223900	A B C	Gasket, dark grey
100	318233800	A B C	Nut, hex
101	318233400	A B C	Bushing, retainer
* #	318224813	A B C	Harness, wiring, timer
*	08016432	A B C	Screw, truss head, 8-18 x 0.375
*	5303300265	A B C	Screw, 8-18 X 1/2, (2)
*	5303311333	A B C	Screw, 8-32 x 3/8

BURNER



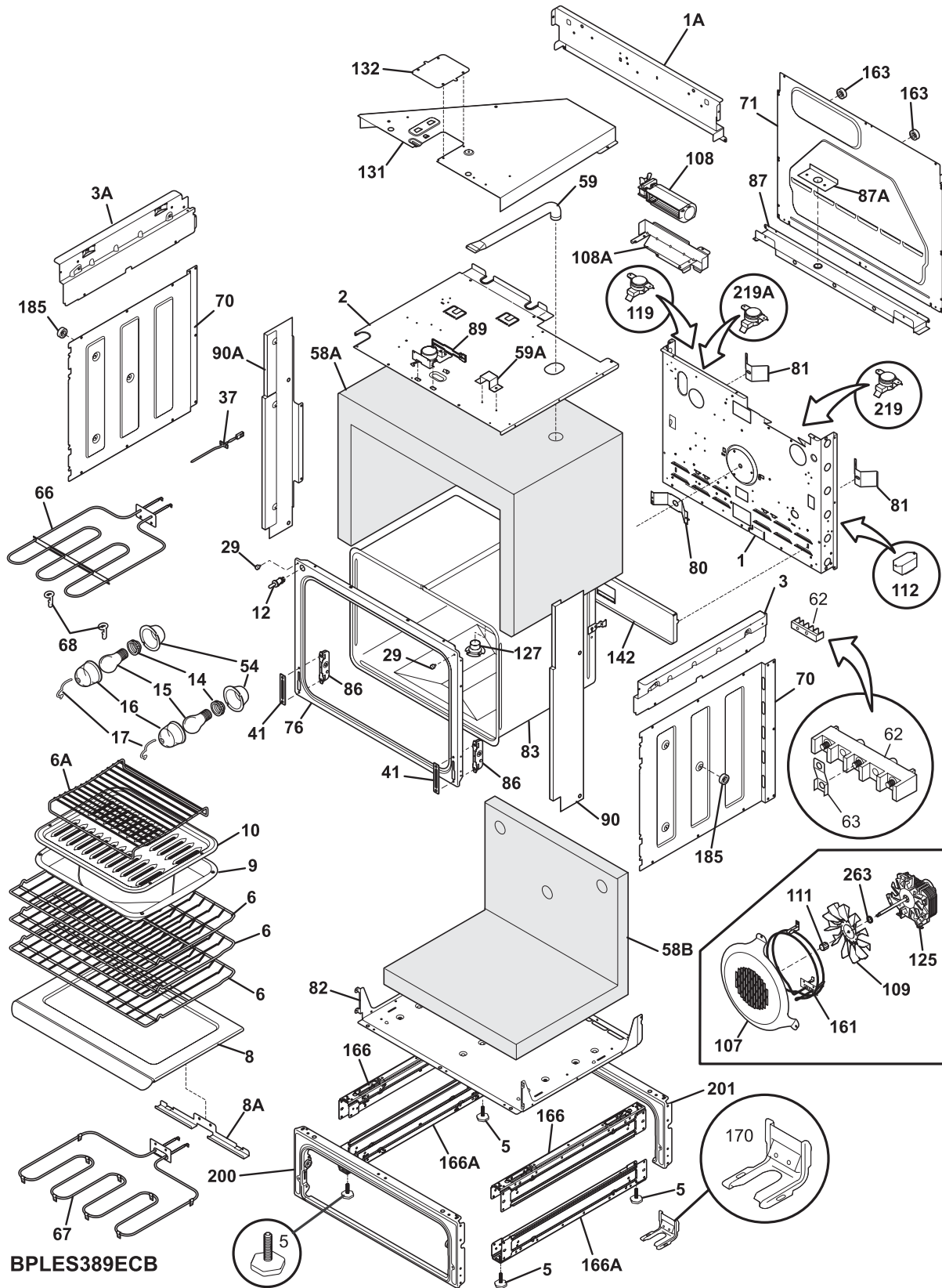
LA20BR0018

BURNER

Model Index: A GLCS389F (GLCS389FSA)
 B GLCS389F (GLCS389FBA)
 C GLCS389F (GLCS389FQA)

POS. NO	PART NO.		DESCRIPTION
1	318305600	A B C	Manifold, right side
1A	318305601	A B C	Manifold, left side
1B	318305410	A B C	Tube, manifold, 3/8, interconnect
2 #	318233930	A B C	Valve, top burner, 14000 BTU
2A #	318233940	A B C	Valve, top burner, 16/17K
2B #	318233900	A B C	Valve, top burner, 5000 BTU
2C #	318233910	A B C	Valve, top burner, 9500 BTU
3 #	318232600	A B C	Wiring Harness, w/igntr switch
10 #	316223400	A B C	Burner, sealed, 14K
10A#	316223300	A B C	Burner, sealed, 16/17K
10B#	316206400	A B C	Burner, sealed, 5K
10C#	316212400	A B C	Burner, sealed, 9.5K
11	318306106	A B C	Ignitor Assembly, 14K, left rear, w/tube & holder
11A	318306107	A B C	Ignitor Assembly, 16K, right front, w/tube & holder
11B	318306108	A B C	Ignitor Assembly, 5K, right rear, w/tube & holder
11C	318306104	A B C	Ignitor Assembly, 9.5K, left front, w/tube & holder
12	318369902	A B C	Bracket, support, (2)
13	318305110	A B C	Tube, regulator, to manifold
14 #	318122700	A B C	Regulator, pressure
14*	5303311306	A B C	Screw, 8-18 x 0.375, (3)
16	318590002	A B C	Panel, regulator mtg.
37	5303307980	A B C	Screw, 8-32 x 0.437, (4)
44	316237900	A B C	Orifice, top burner, 14K
44A	316237912	A B C	Orifice, top burner, 16K
44B	316237903	A B C	Orifice, top burner, 5K
44C	316237902	A B C	Orifice, top burner, 9.5K
72	316215600	A B C	Screw, valve mtg., 1/4 - 20
77	318192606	A B C	Bracket, burner mtg, (4)
300	318322300	A B C	Bracket, inlet, long, door
301	318322301	A B C	Bracket, inlet, short, block
*	318186909	A B C	LP Conversion Kit
* #	318199725	A B C	Wiring Harness, ignitor
*	08011955	A B C	Screw, 10-24 x 0.375, square drive
*	5303211311	A B C	Screw, 8 x 0.500

BODY

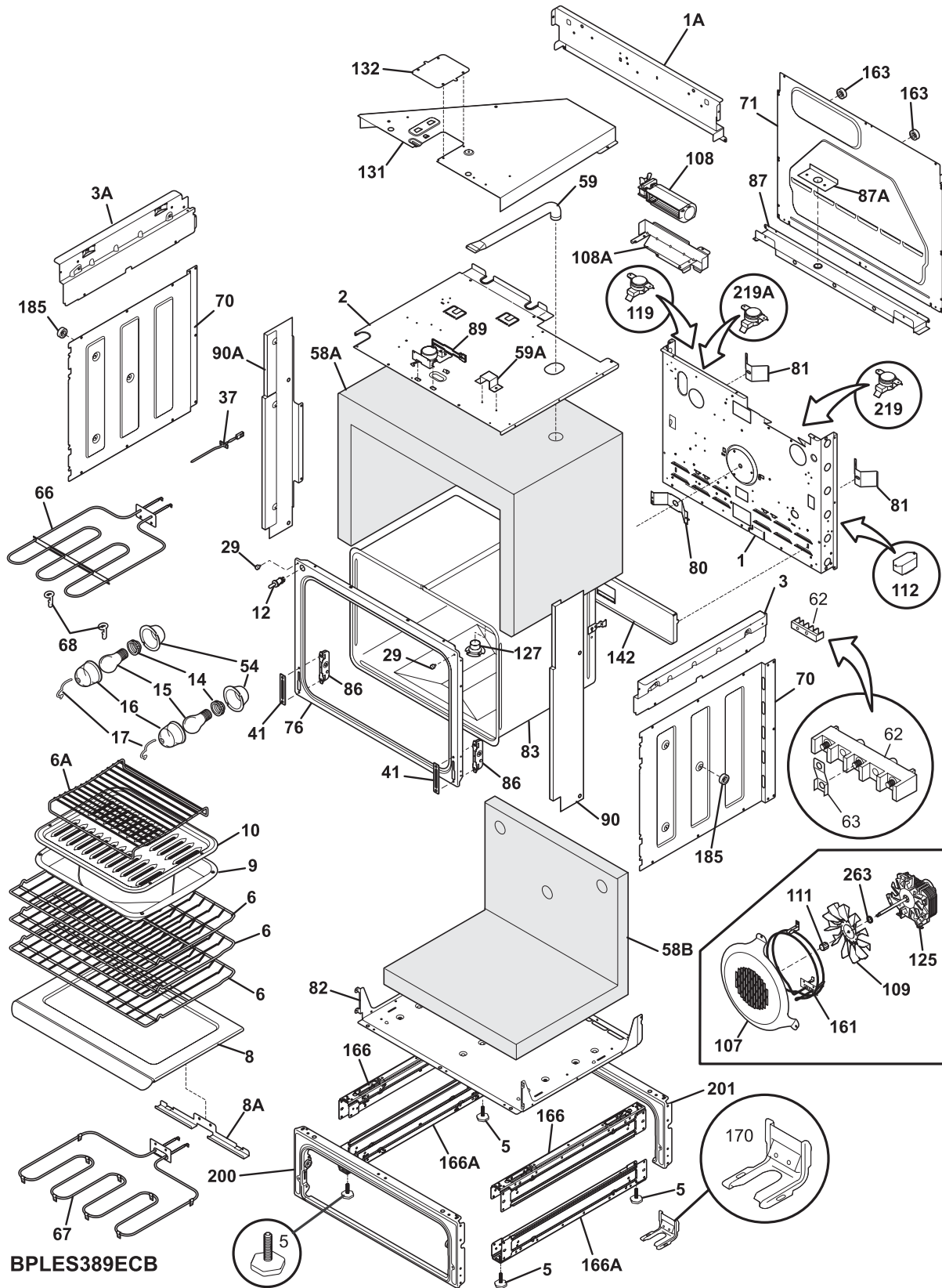


BODY

Model Index: A GLCS389F (GLCS389FSA)
 B GLCS389F (GLCS389FBA)
 C GLCS389F (GLCS389FQA)

POS. NO	PART NO.		DESCRIPTION
1	318259204	A B C	Back, main
1A	318225110	A B C	Panel, main back, upper
2	318258902	A B C	Shield, insulation, upper
3	318225210	A B C	Panel, bodyside, upper RH
3A	318225211	A B C	Panel, bodyside, upper LH
5	318175503	A B C	Screw, leveling
6	318345208	A B C	Rack, oven
6A	318219500	A B C	Rack, broiler pan
8	318262001	A B C	Cover, element
8A	318318600	A B C	Bracket, element, hidden bake
9	5303317977	A B C	Pan, broiler
10	5303317976	A B C	Insert, broiler pan
12 #	318089917	A B C	Switch, light
14	318224000	A B C	Receptacle, oven light
15	5303013071	A B C	Bulb/Lamp, light
16	08011086	A B C	Lens, oven light, glass
17	5304400195	A B C	Retainer, light cover
29	318147411	A B C	Bumper, (2)
37 #	316217002	A B C	Probe, oven temp
41	5303310526	A B C	Cover, hinge cutout
54	318222400	A B C	Housing, oven light
58A	318285055	A B C	Insulation, oven wrapper
58B	318285056	A B C	Insulation, oven back
59	318072560	A B C	Duct, oven vent
59A	318261600	A B C	Bracket, vent tube
62	5303935061	A B C	Terminal Block Kit
62*	5303323139	A B C	Screw, 10-24 x 0.906
62*	5303323144	A B C	Nut, 10-32
63	318264200	A B C	Plate, grounding strap
66 #	318255600	A B C	Element, broil, 2750W
67	318254901	A B C	Element, bake, 3400W, 8 pass
68	5304403015	A B C	Support, hanger, (2), broil element
70	318259100	A B C	Shield, insulation, sides, (2)
71	318260007	A B C	Panel, rear box
76	318056217	A B C	Front, oven
80	5303320846	A B C	Plate, oven mtg
81	318192400	A B C	Spring, oven
82	318258708	A B C	Shield, insulation, lower
83	318261400	A B C	Liner, oven assy
86	5303310524	A B C	Receptacle, hinge
87	318260609	A B C	Bracket, cable mtg.
87A	318111804	A B C	Plate, cord set mtg
89 #	318261209	A B C	Motor, latch assy
90	318296902	A - -	Panel, filler, white, RH
90	318296904	- B -	Panel, filler, black, RH
90	318296906	- - C	Panel, filler, bisque, RH
90A	318296903	A - -	Panel, filler, white, LH
90A	318296905	- B -	Panel, filler, black, LH

BODY



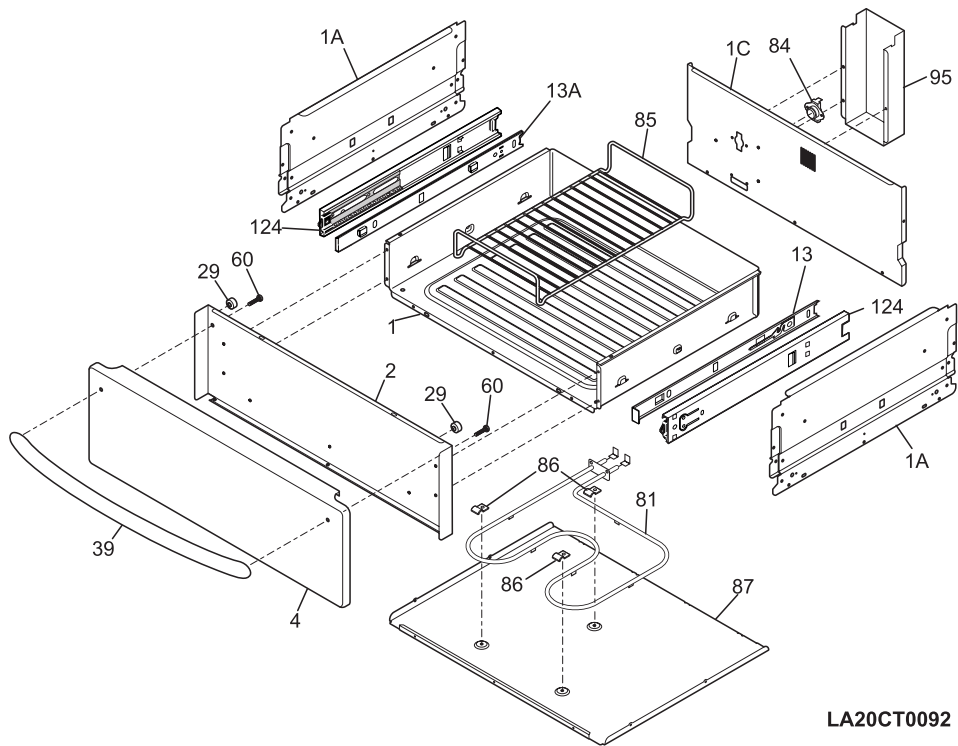
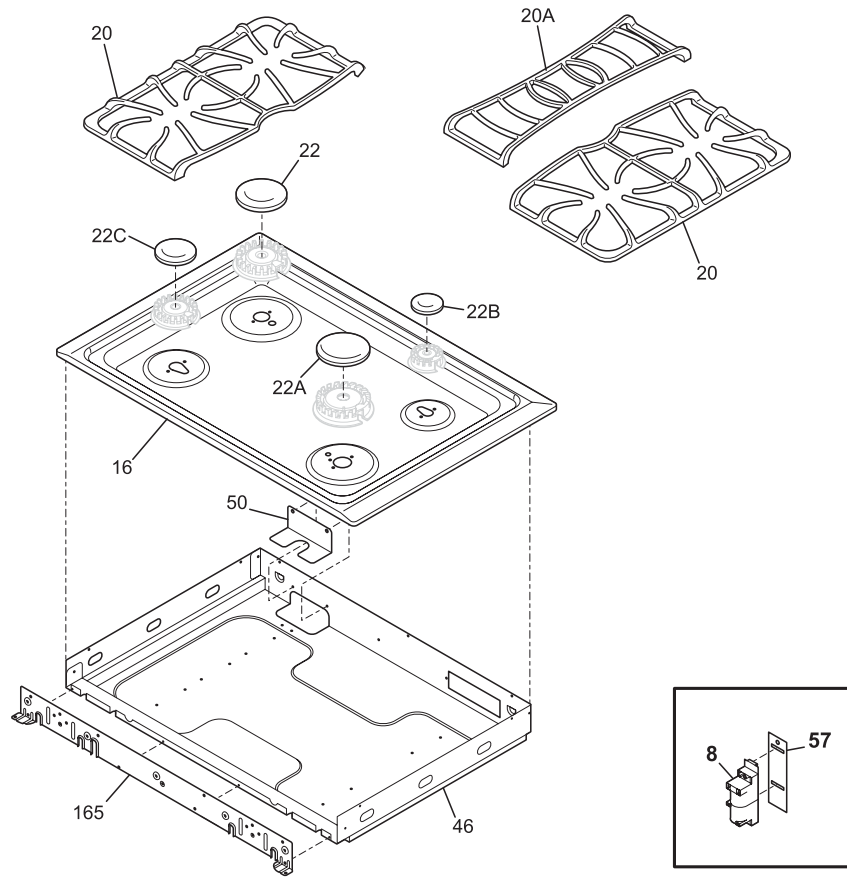
BPLES389ECB

BODY

Model Index: A GLCS389F (GLCS389FSA)
 B GLCS389F (GLCS389FBA)
 C GLCS389F (GLCS389FQA)

POS. NO	PART NO.		DESCRIPTION
90A	318296907	- - C	Panel, filler, bisque, LH
107	318219401	A B C	Cover, fan
108#	318073018	A B C	Motor, blower
*	318249401	A B C	Tube, protector
108A	318251300	A B C	Bracket, fan support
109	316136400	A B C	Blade, fan
111	316136600	A B C	Nut, fan retainer
112#	318112703	A B C	Relay
119#	318005202	A B C	Switch, thermal cutout
125#	316415800	A B C	Motor, fan
127	318317100	A B C	Adapter Assembly, vent tube, w/converter
131	318272900	A B C	Box, vent
132	318003000	A B C	Plate, shield
142	318123910	A B C	Deflector
161#	318255503	A B C	Element, convection, 350 W
163	318014110	A B C	Spacer, (6)
166	318298410	A B C	Bracket, base support, (2)
166A	318298403	A B C	Bracket, base support, lower, (2)
170	318335500	A B C	Anti-tip & accessories
185	318165800	A B C	Spacer
200	318298201	A B C	Frame, drawer, black, front
201	318298210	A B C	Frame, drawer
219#	318003614	A B C	Thermostat, safety
219A	318003613	A B C	Thermostat, safety, 1.375" mtg, 105/120
263	316136500	A B C	Washer, flat
* #	318224936	A B C	Harness, wiring, main
*	318235300	A B C	Connector assy., w/3 lugs, & instructions
*	3051050	A B C	Screw, shoulder
*	3201861	A B C	Screw, 6 x 0.375, (4)
*	08016432	A B C	Screw, truss head, 8-18 x 0.375
*	5303211311	A B C	Screw, 8 x 0.500
*	5303307980	A B C	Screw, 8-32 x 0.437, (4)
*	5303323129	A B C	Screw, 8 X 0.750
*	5304415832	A B C	Screw, 8-18 x 0.406
*	5304436875	A B C	Screw, 8-18 X 1/2, black

TOP



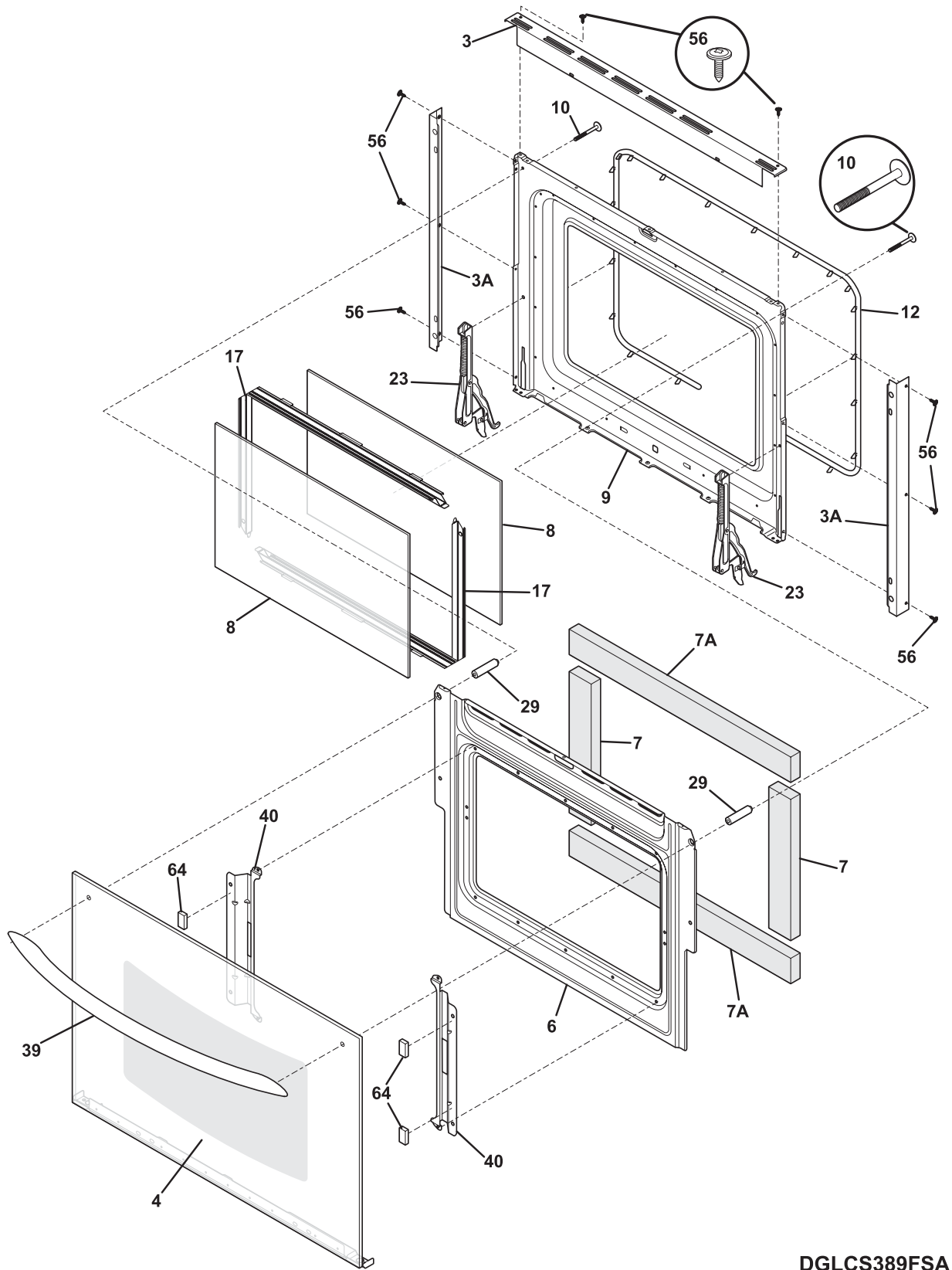
LA20CT0092

TOP

Model Index: A GLCS389F (GLCS389FSA)
 B GLCS389F (GLCS389FBA)
 C GLCS389F (GLCS389FQA)

POS. NO	PART NO.		DESCRIPTION
1	318304401	A B C	Drawer, body assembly
1A	318300000	A B C	Panel, warmer drawer, side, (2)
1C	318300300	A B C	Panel, warmer drawer, rear
2	318303901	A B C	Panel, drawer, black, inner
4	318299901	A - -	Panel, drawer, white, front
4	318299903	- B -	Panel, drawer, black, front
4	318299902	- - C	Panel, drawer, bisque, front
8 #	316135701	A B C	Module, spark
13	318259507	A B C	Glide, warmer, inner RH
13A	318259506	A B C	Glide, warmer, inner LH
16	318320000	A - -	Maintop Assembly, white
16	318320002	- B -	Maintop Assembly, black
16	318320001	- - C	Maintop Assembly, bisque
20	316424605	A - -	Grate, gray, (2)
20	316424601	- B -	Grate, black, (2)
20	316424604	- - C	Grate, brown, (2)
20A	318307105	A - -	Grate, gray, center
20A	318307101	- B -	Grate, black, center
20A	318307104	- - C	Grate, brown, center
22	316219901	A - -	Cap, 14K burner, grey
22	316219900	- B -	Cap, 14K burner, black
22	316219904	- - C	Cap, 14K burner, brown
22A	316271901	A - -	Cap, 17K burner, gray
22A	316271900	- B -	Cap, 17K burner, black
22A	316271902	- - C	Cap, 17K burner, brown
22B	316206601	A - -	Cap, 5K burner, gray
22B	316206600	- B -	Cap, 5K burner, black
22B	316206602	- - C	Cap, 5K burner, brown
22C	316213501	A - -	Cap, 9.5K burner, gray
22C	316213500	- B -	Cap, 9.5K burner, black
22C	316213503	- - C	Cap, 9.5K burner, brown
29	318147430	A B C	Bumper, (2)
39	5304457012	A - -	Handle, door, white, w/spacer
39	5304457011	- B -	Handle, door, black, w/spacer
39	5304457013	- - C	Handle, door, bisque, w/spacer
46	318291401	A B C	Box, burner
50	318328500	A B C	Cover, burner box
57	318295611	A B C	Panel, service
60	316001002	A B C	Screw, wafer head, 10-24 x 1.81, (2), handle mtg.
81 #	318255300	A B C	Element, warmer drawer
84 #	318005108	A B C	Thermostat
85	318257600	A B C	Rack, warmer drawer
86	316095800	A B C	Clip, hold down, warmer element
87	318300100	A B C	Panel, warmer drawer, lower
95	318303800	A B C	Shield, wire
124	316105501	A B C	Glide, outer/RH & LH, (2)
165	318227504	A B C	Plate, mounting
* #	318199749	A B C	Wiring Harness, drawer
*	5303325171	A B C	Washer, plastic
*	08016432	A B C	Screw, truss head, 8-18 x 0.375
*	5303211311	A B C	Screw, 8 x 0.500
*	5303300265	A B C	Screw, 8-18 X 1/2, (2)
*	5303311333	A B C	Screw, 8-32 x 3/8

DOOR



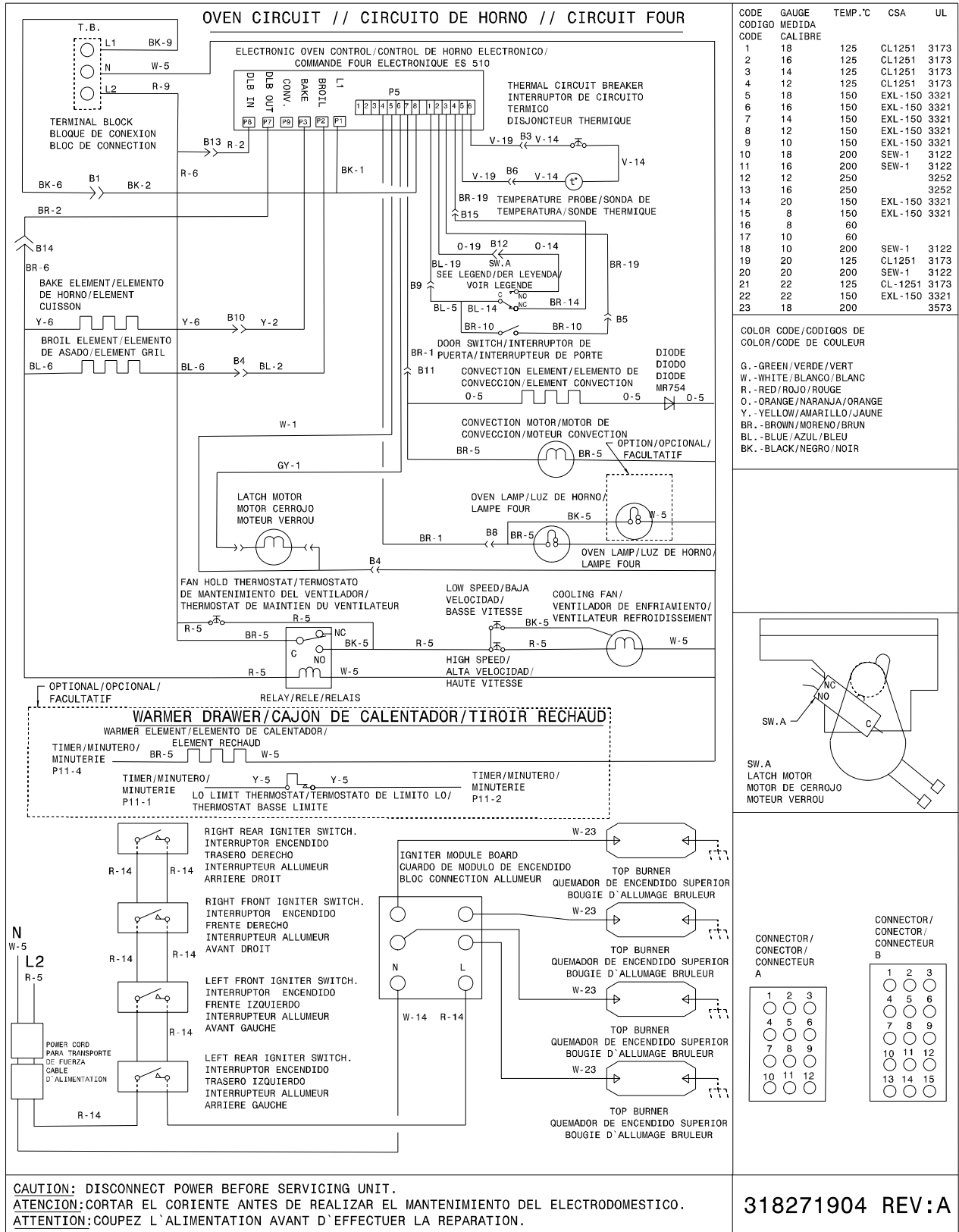
DGLCS389FSA

DOOR

Model Index: **A** GLCS389F (GLCS389FSA)
 B GLCS389F (GLCS389FBA)
 C GLCS389F (GLCS389FQA)

POS. NO	PART NO.		DESCRIPTION
3	318260201	A B C	Trim, oven door, black, upper
3A	318260401	A B C	Trim, oven door, side, (2)
4	318261301	A - -	Glass Assy., oven door, white, outer, w/trim
4	318261300	- B -	Glass Assy., oven door, black, outer, w/trim
4	318261302	- - C	Glass Assy., oven door, bisque, outer, w/trim
6	318260520	A B C	Baffle, door
7	318285057	A B C	Insulation, oven door
7A	318285062	A B C	Insulation, oven door
8	316117500	A B C	Glass, oven door, heat barrier
9	318259601	A B C	Liner, oven door, upper
10	316001002	A B C	Screw, wafer head, 10-24 x 1.81, (2), handle mtg.
12	318053120	A B C	Seal, door, lower oven
17	316402403	A B C	Spacer, door glass, (2)
23	318024722	A B C	Hinge, door, (2)
29	318014402	A B C	Spacer, door
39	5304457012	A - -	Handle, door, white, w/spacer
39	5304457011	- B -	Handle, door, black, w/spacer
39	5304457013	- - C	Handle, door, bisque, w/spacer
40	318242700	A B C	Bracket, glass holder, (2)
56	5304436875	A B C	Screw, 8-18 X 1/2, black
64	318165800	A B C	Spacer
*	316221001	A B C	Label, anti-tip
*	5304415832	A B C	Screw, 8-18 x 0.406

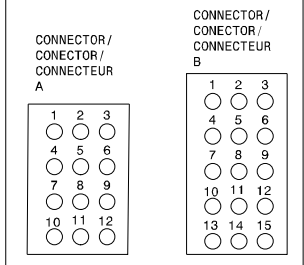
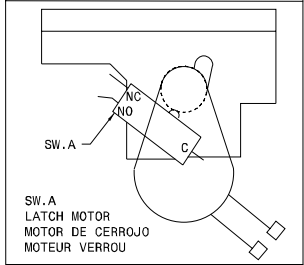
WIRING DIAGRAM



CODE	GAUGE	TEMP. °C	CSA	UL
1	18	125	CL1251	3173
2	16	125	CL1251	3173
3	14	125	CL1251	3173
4	12	125	CL1251	3173
5	18	150	EXL-150	3321
6	16	150	EXL-150	3321
7	14	150	EXL-150	3321
8	12	150	EXL-150	3321
9	10	150	EXL-150	3321
10	18	200	SEW-1	3122
11	16	200	SEW-1	3122
12	12	250		3252
13	16	250		3252
14	20	150	EXL-150	3321
15	8	150	EXL-150	3321
16	8	60		
17	10	60		
18	10	200	SEW-1	3122
19	20	125	CL1251	3173
20	20	200	SEW-1	3122
21	22	125	CL-1251	3173
22	22	150	EXL-150	3321
23	18	200		3573

COLOR CODE/CODIGOS DE COLOR/CODE DE COULEUR

G. - GREEN / VERDE / VERT
W. - WHITE / BLANCO / BLANC
R. - RED / ROJO / ROUGE
O. - ORANGE / NARANJA / ORANGE
Y. - YELLOW / AMARILLO / JAUNE
BR. - BROWN / MORENO / BRUN
BL. - BLUE / AZUL / BLEU
BK. - BLACK / NEGRO / NOIR



318271904 REV:A