

*Frigidaire*

Factory Parts Catalog

Product No.	FDB2000RFB0	FDB2000RFC0	FDB2000RFQ0	FDB2000RFS0
Series	Built-in 24"	Built-in 24"	Built-in 24"	Built-in 24"
Color	black	stainless	bisque	white
Owner's Guide English	154577801	154577801	154577801	154577801
Owner's Guide Spanish	154577803	154577803	154577803	154577803
Owner's Guide French	154577802	154577802	154577802	154577802
Service Data Sheet	154526501	154526501	154526501	154526501
Energy Guide	154540024	154540024	154540024	154540024
Installation Instructions	154427301	154427301	154427301	154427301
Market	North America	North America	North America	North America



Electrolux Major Appliances  
 North & Latin America  
 P.O. BOX 212378  
 AUGUSTA, GA 30917

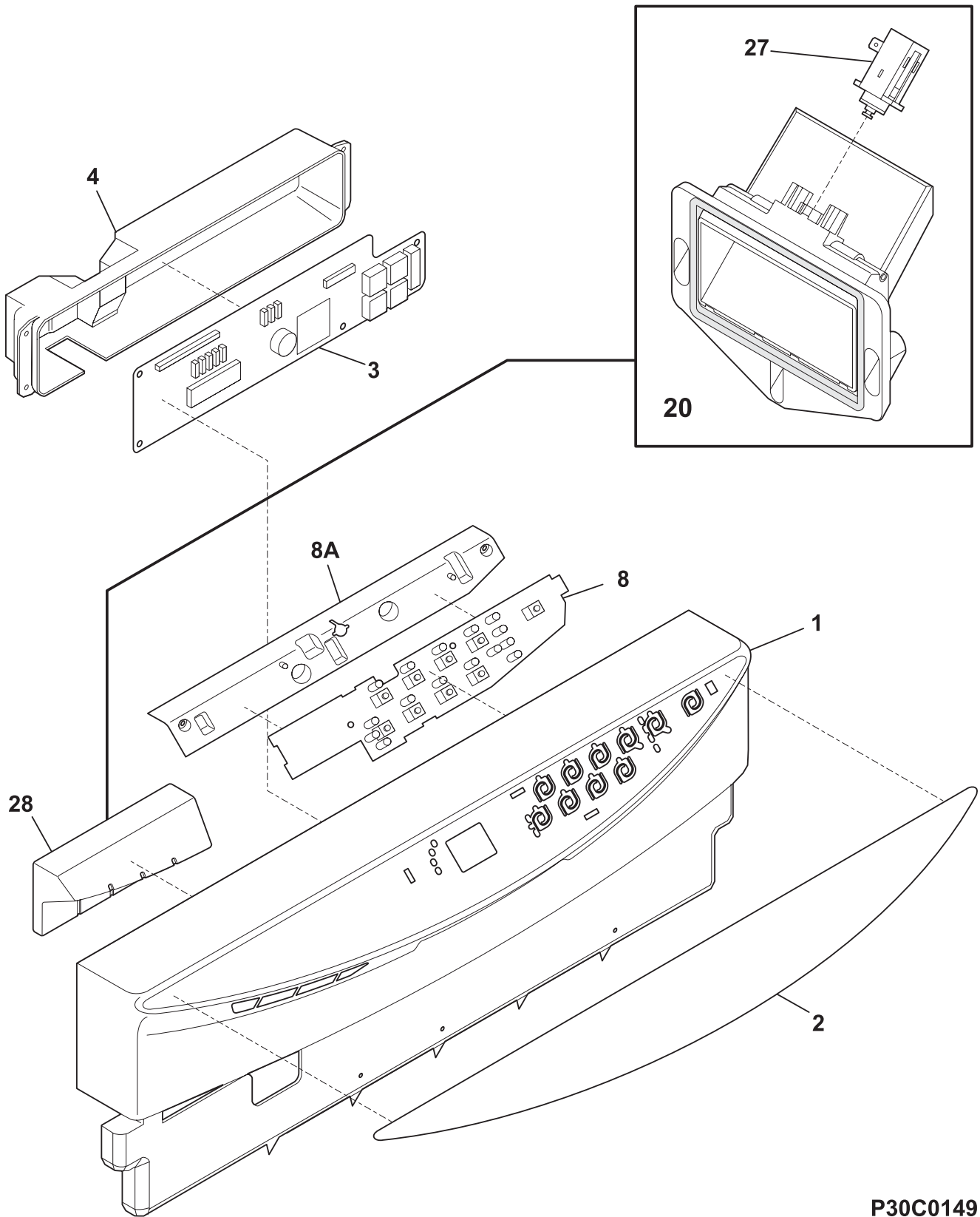
Publication No.  
**5995461497**  
 06/02/21  
 (EN/SERVICE/ECL)  
 821

**24-INCH BUILT-IN  
 DISHWASHER**

Model No.  
**FDB2000RF**

Copyright © 2006 Electrolux Home Products, Inc.  
 All rights reserved.

**CONTROL PANEL**



**P30C0149**

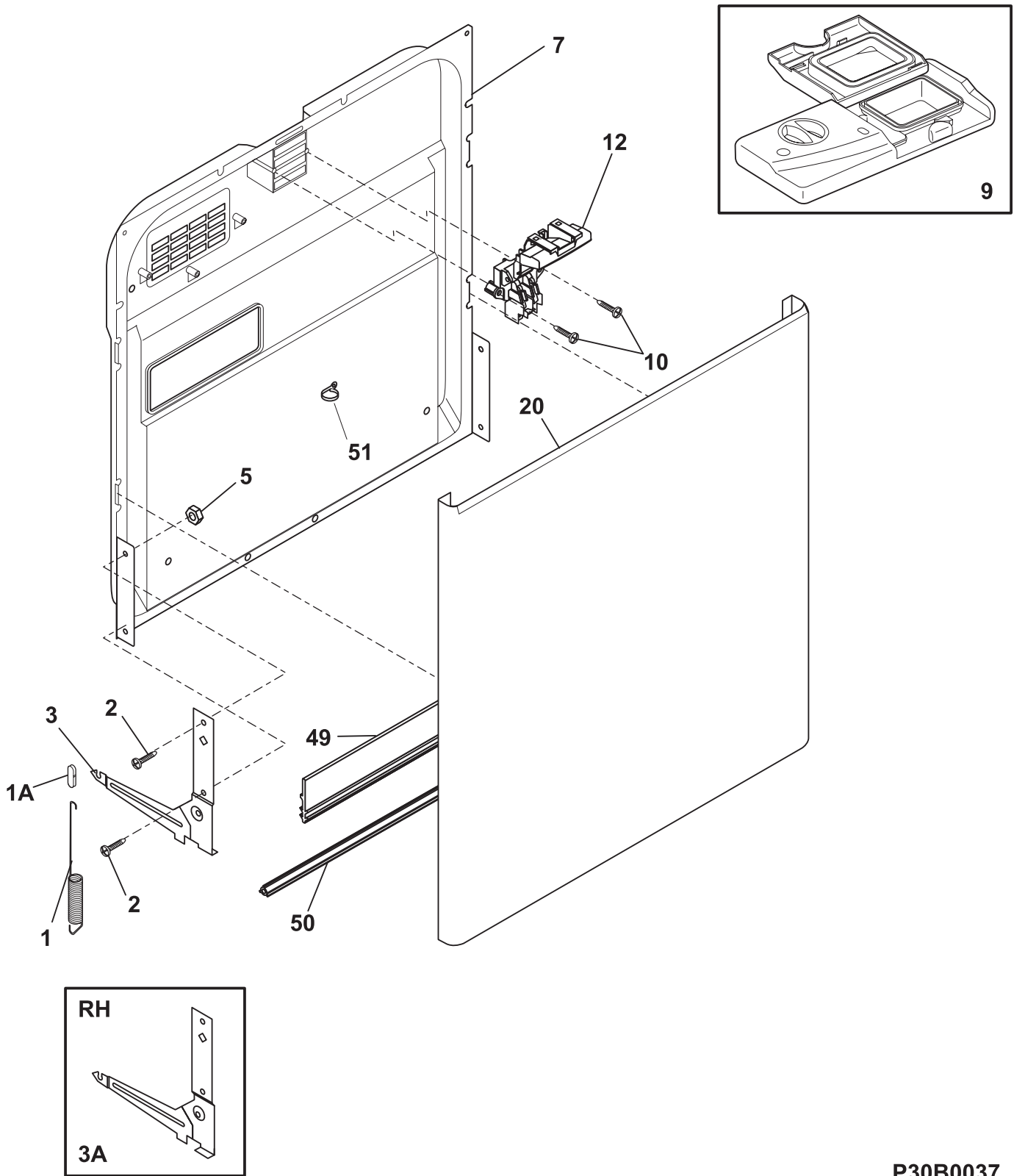
## CONTROL PANEL

---

*Model Index:*    A FDB2000RF (FDB2000RFB0)  
                       B FDB2000RF (FDB2000RFC0)  
                       C FDB2000RF (FDB2000RFQ0)  
                       D FDB2000RF (FDB2000RFS0)

POS. NO	PART NO.		DESCRIPTION
1	154486003	A B - -	Panel, control, black
1	154486004	- - C -	Panel, control, bisque
1	154486001	- - - D	Panel, control, white
2	154577303	A B - -	Insert, control panel, 9 pad, black
2	154577304	- - C -	Insert, control panel, 9 pad, bisque
2	154577301	- - - D	Insert, control panel, 9 pad, white
3	154555001	A B C D	Board, control
3*	154200401	A B C D	Screw, 6-10 x 3/8, pan plask
4	154554601	A B C D	Cover, control
4*	154478901	A B C D	Gasket, cover
8 #	154474701	A B C D	Switch, selector, 9 pad
8*	5303318719	A B C D	Screw, mtg.
8A	154486201	A B C D	Shield, tactile switch
20	154423601	A B C D	Vent assy, active dry, w/actuator
20*	154436201	A B C D	Screw, dry duct, (3)
27	154433501	A B C D	Actuator, active dry vent
28	154474401	A B C D	Adapter, vent
* #	154547001	A B C D	Wiring Harness
*	154227501	A B C D	Thermistor
*	154540024	A B C D	Energy guide label

**DOOR**



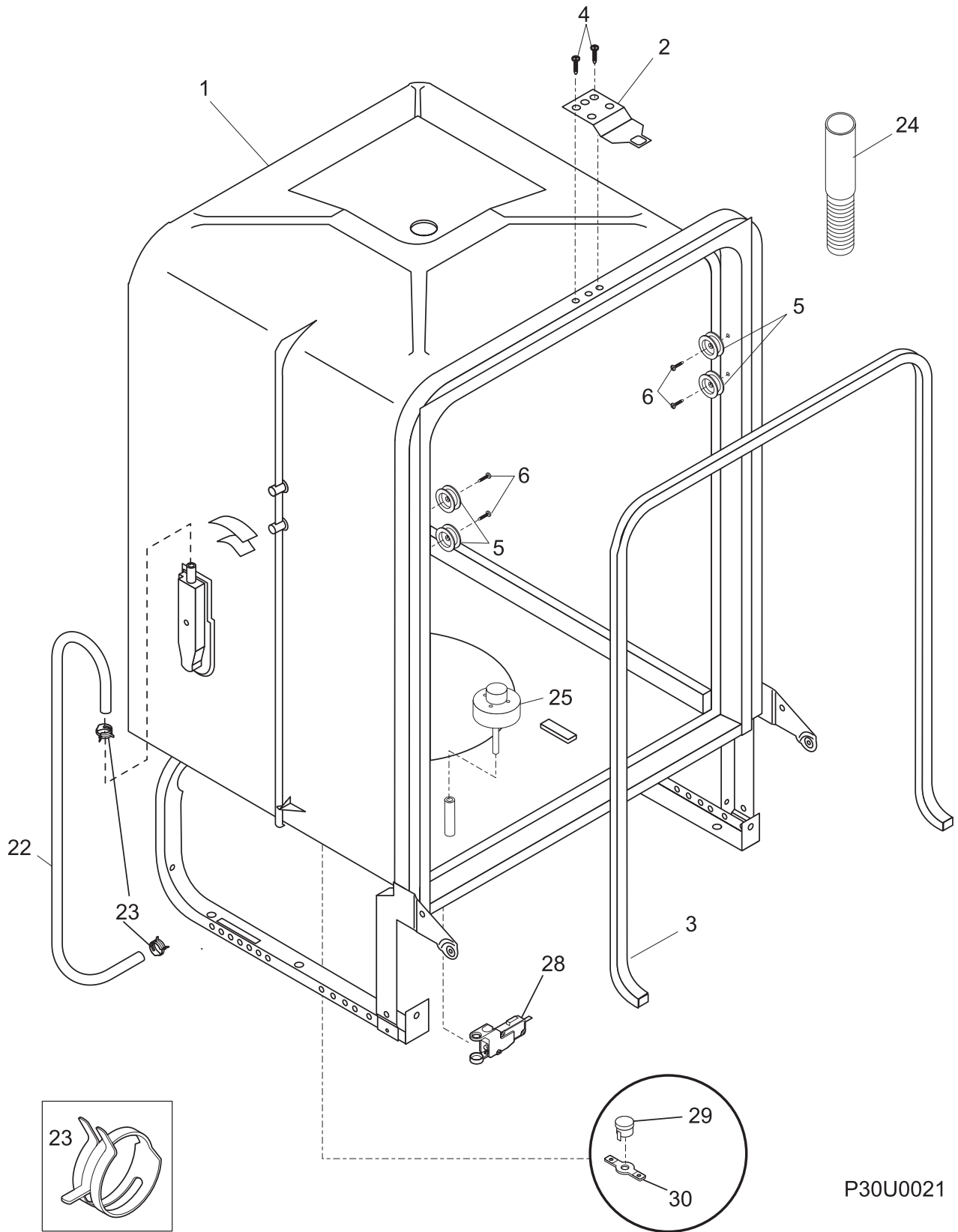
**P30B0037**

**DOOR**

*Model Index:* A FDB2000RF (FDB2000RFB0)  
 B FDB2000RF (FDB2000RFC0)  
 C FDB2000RF (FDB2000RFQ0)  
 D FDB2000RF (FDB2000RFS0)

POS. NO	PART NO.	A	B	C	D	DESCRIPTION
1	154430501	A	B	C	D	Spring, door, (2)
1A	154325201	A	B	C	D	Linkage, door spring, (2)
2	154093301	A	B	C	D	Screw, arm assy, (4)
3	154558103	A	B	C	D	Arm Assy, LH
3A	154558503	A	B	C	D	Arm Assy, RH
*	154529101	A	B	C	D	Pin, arm assy
5	154079601	A	B	C	D	Nut, arm assy, and handle mtg.
7	154494601	A	B	C	D	Liner, door assy.
9	154542103	A	B	C	D	Dispenser, det/rinse aid, w/o reed
9*	154294701	A	B	C	D	Screw, #7 plas .375, (6), disp. assy.
10	154103702	A	B	C	D	Screw, latch mtg, (2)
12	154529403	A	B	-	-	Latch assy, black
12 #	154529404	-	-	C	-	Latch assy, bisque
12	154529401	-	-	-	D	Latch assy, white
20	154524903	A	-	-	-	Door Assy, black, outer
20	154534301	-	B	-	-	Door, stainless
20	154436804	-	-	C	-	Door Assy, bisque, outer
20	154524901	-	-	-	D	Door Assy, white, outer
20*	154253201	A	B	C	D	Insulation, door
20*	5304428306	A	B	C	D	Screw, door mtg., (2)
49	154297603	A	B	C	D	Gasket, door, bottom
50	154211401	A	B	C	D	Support, door hinge
51	154320301	A	B	C	D	Clamp, drip loop, wire
*	154200601	A	B	C	D	Screw, #10-16 x 3/8

TUB



P30U0021

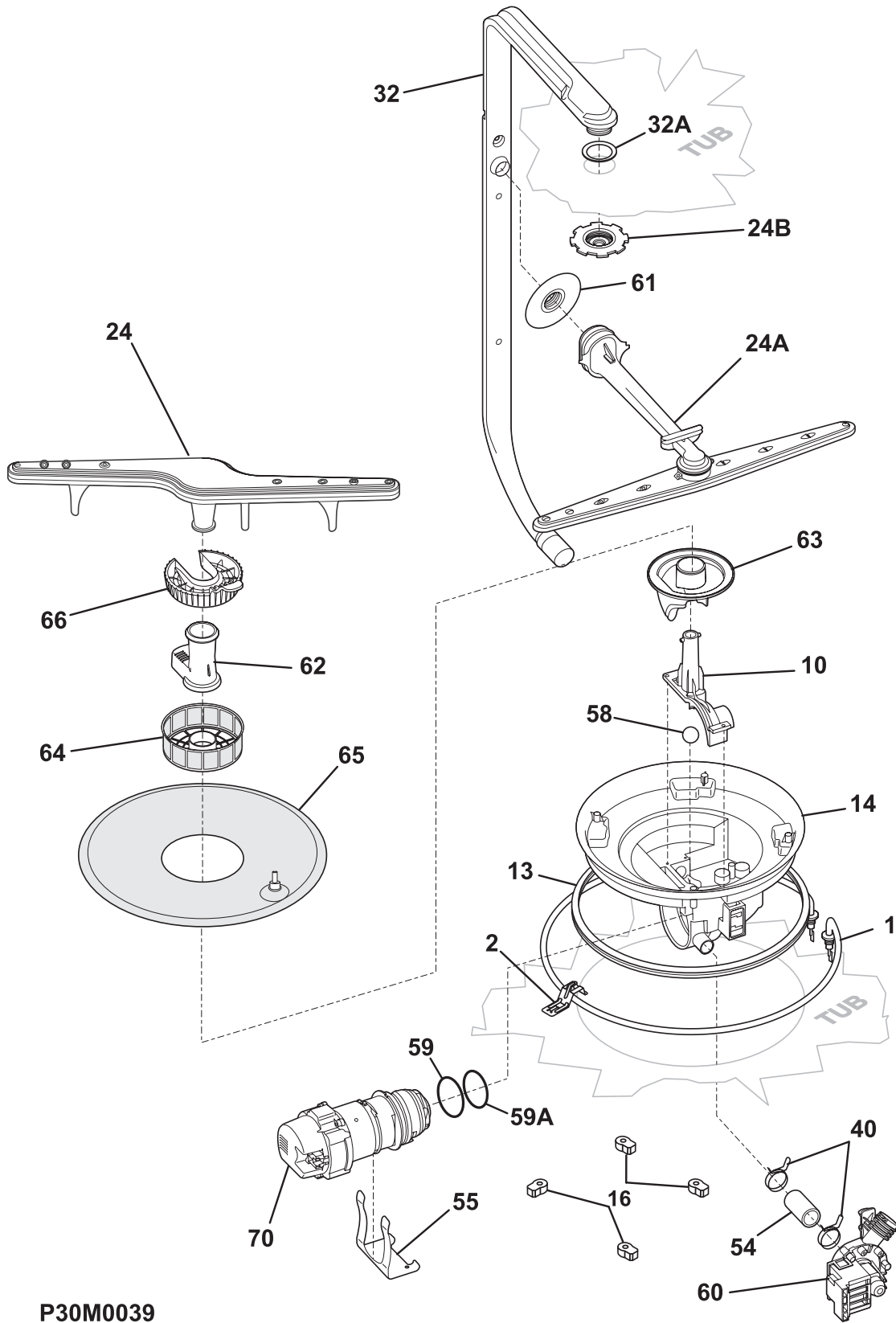
## TUB

---

*Model Index:*    **A** FDB2000RF (FDB2000RFB0)  
                           **B** FDB2000RF (FDB2000RFC0)  
                           **C** FDB2000RF (FDB2000RFQ0)  
                           **D** FDB2000RF (FDB2000RFS0)

POS. NO	PART NO.				DESCRIPTION	
1 #	154534701	A	B	C	D	Tub assy, w/frame parts
2	154429101	A	B	C	D	Strike, door
3 #	154561001	A	B	C	D	Gasket, tub
4	154200602	A	B	C	D	Screw, 10-16 x 3/8, hex
5	154333902	A	B	C	D	Roller, tub
6	5303943103	A	B	C	D	Screw, w/washer, (8)
22	154446002	A	B	C	D	Tubing, water inlet
23	5303318539	A	B	C	D	Clamp, tubing, (2)
24 #	154525301	A	B	C	D	Hose, drain
25 #	154209701	A	B	C	D	Float
28	154408701	A	B	C	D	Switch Assy, float
29 #	154290204	A	B	C	D	Thermostat, re-settable
30	154241101	A	B	C	D	Retainer, thermostat
30*	154297701	A	B	C	D	Screw, retainer-thermo
*	154447102	A	B	C	D	Insulation, blanket
*	154041001	A	B	C	D	Screw, plask #1, 10-10 x 9/16
*	5300807270	A	B	C	D	Screw, (2), countertop mtg.

**MOTOR & PUMP**



**P30M0039**

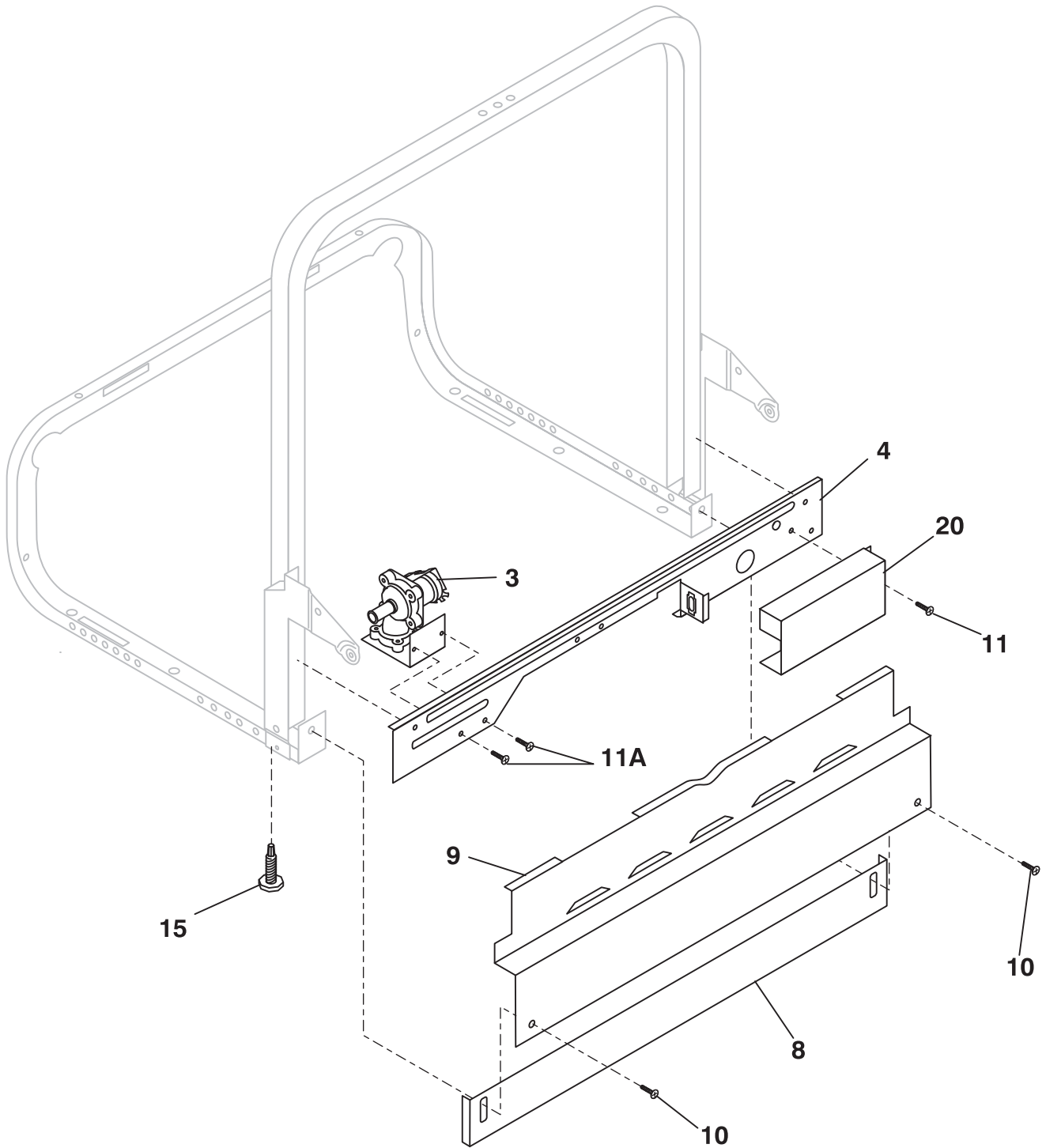


**MOTOR & PUMP**

*Model Index:* A FDB2000RF (FDB2000RFB0)  
 B FDB2000RF (FDB2000RFC0)  
 C FDB2000RF (FDB2000RFQ0)  
 D FDB2000RF (FDB2000RFS0)

POS. NO	PART NO.		DESCRIPTION
1 #	154482901	A B C D	Heater, round
1*	154106201	A B C D	Nut, heater, (2)
1*	154289801	A B C D	Shield, heater terminal
2	154465101	A B C D	Bracket, heater, (2)
10	154245501	A B C D	Cover, volute
13	154246801	A B C D	Gasket, sump
14	154461901	A B C D	Housing, sump
16	154246502	A B C D	Retainer, sump
24	154568002	A B C D	Spray arm, grey, lower, w/heat shield
24A	154468502	A B C D	Spray arm, grey, center
24B	154520601	A B C D	Nozzle, shower, assembly
32	154464101	A B C D	Tube, delivery
32*	154491101	A B C D	Screw, delivery tube
32A	154406401	A B C D	Gasket, delivery tube
40	154348401	A B C D	Clamp, red, pump
40	154348502	A B C D	Clamp, red, pump
40*	154106801	A B C D	Clamp, hose, (2)
40*	154380601	A B C D	Clamp, hose, (1)
54	154234401	A B C D	Hose, connector
55	154362301	A B C D	Bracket, motor
55*	5303316032	A B C D	Screw, truss ss, 8 .625
58	154246402	A B C D	Check ball
59	154246901	A B C D	O-ring, rear
59A	154247001	A B C D	O-ring, front
60	154491301	A B C D	Pump, drain
60*	5303318719	A B C D	Screw, mtg.
61	154463402	A B C D	Grommet, delivery tube
62	154294101	A B C D	Support, spray arm, lower
63	154252201	A B C D	Base, soil director
64	154252301	A B C D	Filter, soil director, white
65	154252401	A B C D	Filter, polypro
66	154252701	A B C D	Trap, glass
70 #	154520501	A B C D	Motor Assembly, circulation, w/o o'rings
*	154200601	A B C D	Screw, #10-16 x 3/8

**FRAME**



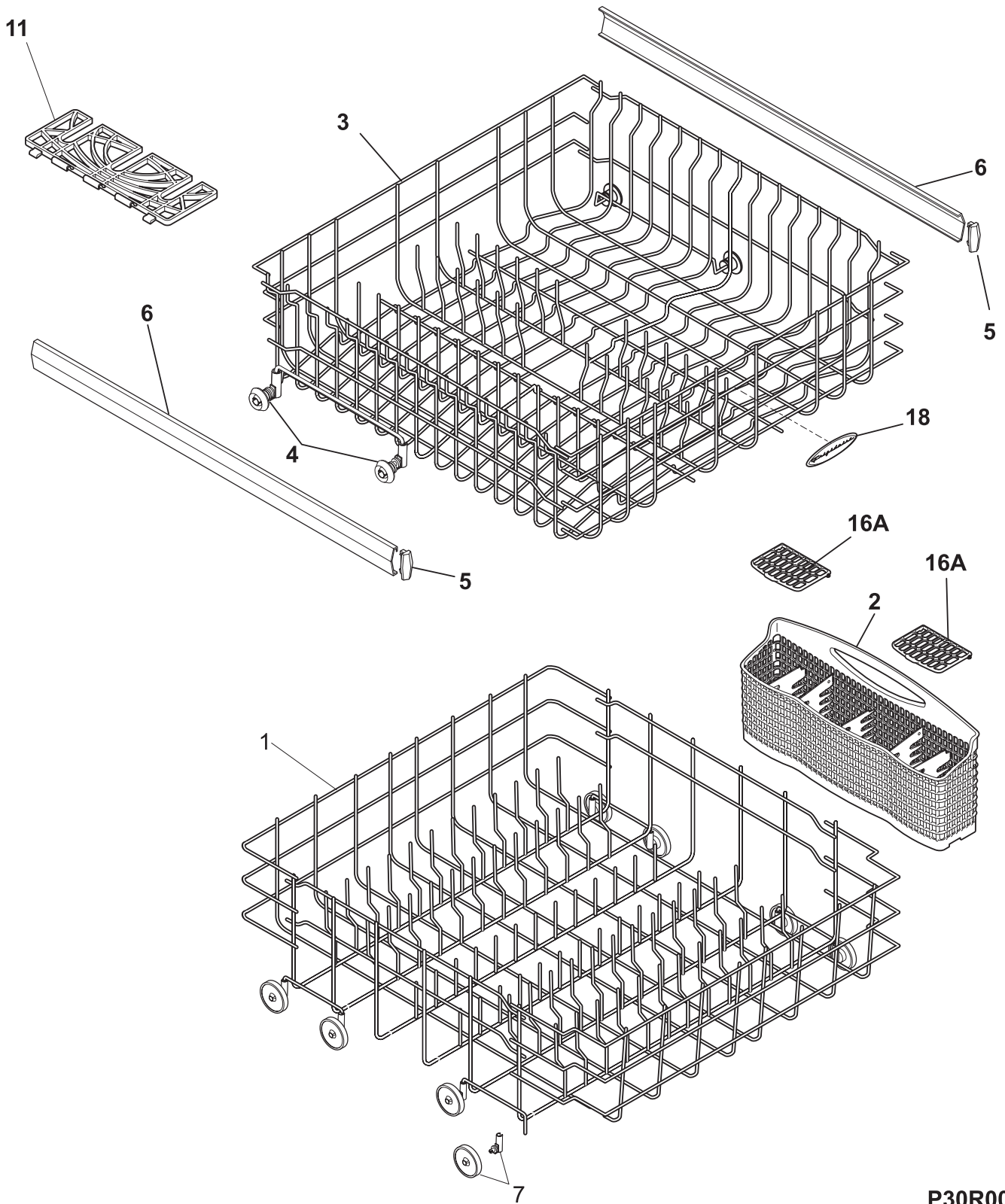
**P30F0022**

**FRAME**

*Model Index:* A FDB2000RF (FDB2000RFB0)  
 B FDB2000RF (FDB2000RFC0)  
 C FDB2000RF (FDB2000RFQ0)  
 D FDB2000RF (FDB2000RFS0)

POS. NO	PART NO.				DESCRIPTION	
3 #	154476101	A	B	C	D	Valve, water
4	154208701	A	B	C	D	Brace, front frame
8	154322903	A	B	-	-	Toeplate, adjustable, black
8	154322905	-	-	C	-	Toeplate, adjustable, bisque
8	154322901	-	-	-	D	Toeplate, adjustable, white
9	154397203	A	B	-	-	Kickplate Assy, black, w/foam
9	154397204	-	-	C	-	Kickplate Assy, bisque, w/foam
9	154397201	-	-	-	D	Kickplate Assy, white, w/foam
10	5300808658	A	B	-	-	Screw, #8A x .375", black
10	154371303	-	-	C	-	Screw, phillips head, bisque
10	154371301	-	-	-	D	Screw, phillips head, white
11	154200701	A	B	C	D	Screw, #10-32 x 3/8
11A	154200601	A	B	C	D	Screw, #10-16 x 3/8
15	154419301	A	B	C	D	Screw, leveling
20	154209601	A	B	C	D	Cover, junction box
*	154041001	A	B	C	D	Screw, plask #1, 10-10 x 9/16
*	154200602	A	B	C	D	Screw, 10-16 x 3/8, hex
*	154409401	A	B	C	D	Screw, #8-18 x .375

**RACKS**



**P30R0098**

## RACKS

---

*Model Index:*   A FDB2000RF (FDB2000RFB0)  
                       B FDB2000RF (FDB2000RFC0)  
                       C FDB2000RF (FDB2000RFQ0)  
                       D FDB2000RF (FDB2000RFS0)

POS. NO	PART NO.				DESCRIPTION	
1	154319706	A	B	C	D	Rack assy, lower
2	154556101	A	B	C	D	Basket, silverware, white
3	154319524	A	B	C	D	Rack assy, upper
4	154522901	A	B	C	D	Wheel & bushing assy, upper rack, (8)
5	5304440996	A	B	C	D	Cap, slide, grey, (4)
6	154232701	A	B	C	D	Slide, rack, (2)
7	154174502	A	B	C	D	Wheel & bracket assy, lower rack
11	154436101	A	B	C	D	Shelf, cup, half width, white
16A	154424301	A	B	C	D	Cover, side basket, (2), silverware
18	154548303	A	B	C	D	Nameplate, Frigidaire, grey, spacer