

Electric Wall Oven with Electronic Oven Control

---

---

## NOTICE

This service data sheet is intended for use by persons having electrical and mechanical training and a level of knowledge of these subjects generally considered acceptable in the appliance repair trade. **The manufacturer cannot be responsible, nor assume any liability, for injury or damage of any kind arising from the use of this data sheet.**

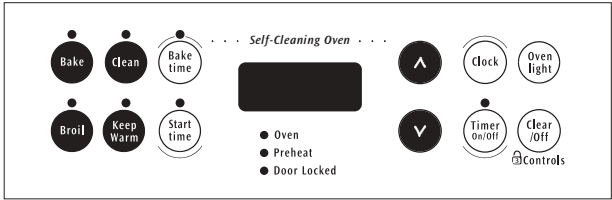
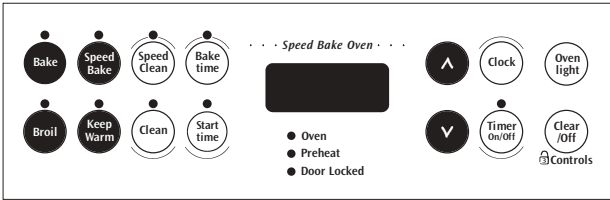
## SAFE SERVICING PRACTICES

To avoid the possibility of personal injury and/or property damage, it is important that safe servicing practices be observed. The following are examples of some, but not all, of these practices.

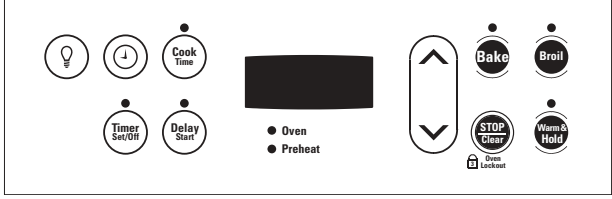
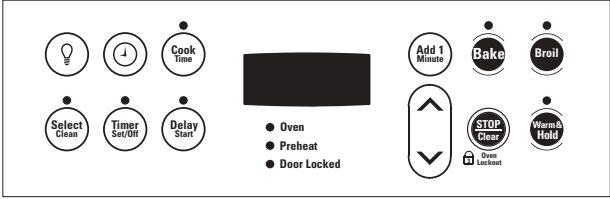
1. Do not attempt a product repair if you have any doubts as to your ability to complete it in a safe and satisfactory manner.
2. Before servicing or moving an appliance, remove power cord from electric outlet, trip circuit breaker to OFF, or remove fuse and turn off gas supply.
3. Never interfere with the proper installation of any safety device.
4. USE ONLY REPLACEMENT PARTS CATALOGED FOR THIS APPLIANCE. SUBSTITUTIONS MAY DEFEAT COMPLIANCE WITH SAFETY STANDARDS SET FOR HOME APPLIANCES.
5. GROUNDING: The standard color coding for safety ground wires is GREEN OR GREEN WITH YELLOW STRIPES. Ground leads are not to be used as current carrying conductors. IT IS EXTREMELY IMPORTANT THAT THE SERVICE TECHNICIAN REESTABLISH ALL SAFETY GROUNDS PRIOR TO COMPLETION OF SERVICE. FAILURE TO DO SO WILL CREATE A POTENTIAL HAZARD.
6. Prior to returning the product to service, ensure that:
  - All electric connections are correct and secure.
  - All electrical leads are properly dressed and secured away from sharp edges, high-temperature components, and moving parts.
  - All non-insulated electrical terminals, connectors, heaters, etc. are adequately spaced away from all metal parts and panels.
  - All safety grounds (both internal and external) are correctly and securely reassembled.
  - All panels are properly and securely reassembled.

# ES350/355 ELECTRONIC OVEN CONTROL

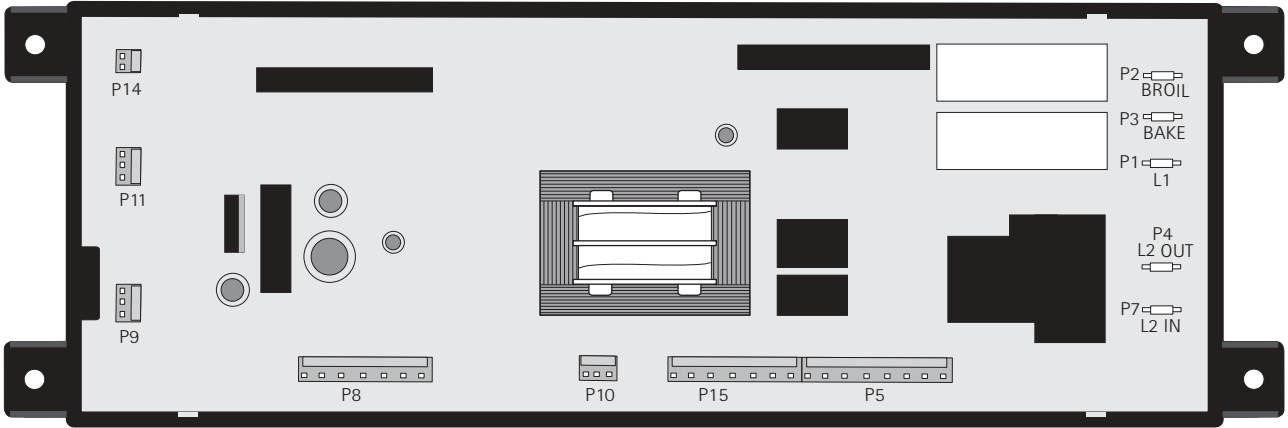
1. This self-cleaning controller offers Bake, Broil, Speed Bake (some models) modes, Timed and Delayed Baking, and Cleaning functions.
2. This Controller has a touch sensitive membrane.



ES350



ES355



**NOTE:** The Controller's are not field repairable. Only temperature settings can be changed. See oven calibration.

## SPEED BAKE MODE (some models)

The speed bake oven uses the addition of a fan to move the air already in the oven. Moving the heated air helps to destratify the heat and cause uniform heat distribution. Cooking times can be reduced by as much as 30%. The air is drawn in through a fan shroud located on the rear wall of the oven. It is then discharged around the outer edges of this shroud. The air circulates around the food and then enters the shroud again. There is still an oven vent which discharges through the bottom of the control panel.

To set the control in speed bake mode, follow these steps:

1. Press the **SPEED BAKE** pad.
2. Enter the desired temperature on the keypad (set point).
3. Press the **START** pad.

The oven will automatically start and the fan will begin to run. To cancel the speed bake function, press the **CANCEL** pad.

**NOTE:** The fan runs continuously while in the speed bake mode. The fan will stop if the door is opened. The bake element will continue to operate if the door is opened.

## PREHEAT

During a preheat mode, the oven uses a bake element to reach the controller set point. The element uses full power when it's on. When the set point is reached, the preheat mode is converted to a normal bake mode.

## NORMAL BAKE

During a normal bake mode, the controller preheats the oven with the bake element. When the desired temperature is reached, the controller adds top heat by cycling the broil element on for 12 to 18 seconds per minute. The bake element is on for the remaining time of the minute. Both elements use full power when they are on but they are never on at the same time.

## CLEAN

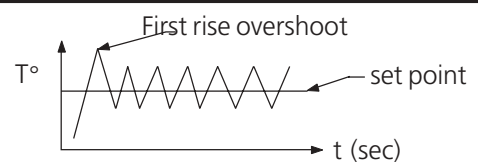
During a cleaning process, the oven uses bake element.

## CLEAN AND TIMED CLEAN

When these modes are selected, the door locks right after start button is pushed.

## FIRST RISE

It is normal to see a temperature overshoot in the first rise of all modes when you monitor the temperature.



## OVEN CALIBRATION

Set the electronic oven control for normal baking at 350°F/176°C. Obtain an average oven temperature after a minimum of 5 cycles. Press Cancel to end bake mode.

**Note:** Changing calibration affects all the cooking modes but not the clean mode.

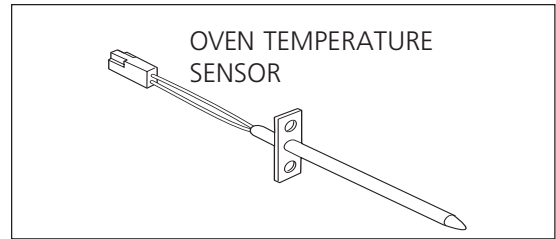
## ELECTRONIC OVEN CONTROL

### ELECTRONIC OVEN CONTROL (EOC) FAULT CODE DESCRIPTIONS AND RTD SCALE

**Note:** Only three fault codes series are displayed by this control "F1", "F3" and "F9". Generally speaking "F1" implies a control failure, "F3" an oven probe problem, and "F9" a latch motor problem. In all occurrences the alarm is accompanied by a display of "F1".

Fault Code Series	Likely Failure Condition/Cause	Suggested Corrective Action
<b>F1</b>	<p><b>(F10)</b> Control has sensed a potential runaway oven condition. Control may have shorted relay, RTD sensor probe may have gone bad.</p> <p><b>(F11)</b> Shorted keypad.</p> <p><b>(F13)</b> Control's internal checksum may have become corrupted.</p> <p><b>(F14)</b> Misconnected flat cables.</p>	<ol style="list-style-type: none"> <li>1. Check RTD sensor probe and replace if necessary. If oven is overheating, disconnect power. If oven continues to overheat when the power is reapplied, replace EOC. Severe overheating may require the entire oven to be replaced, should damage be extensive.</li> <li>2. Press CLEAR key.</li> <li>3. Disconnect power, wait 30 seconds and reapply power. If fault returns upon power-up, replace EOC.</li> <li>4. Disconnect power; verify flat cable connections (P6 or P12).</li> </ol>
<b>F3</b>	<p><b>(F30)</b> Open RTD sensor probe/ wiring problem. Note: EOC may initially display an "F1", thinking a runaway condition exists.</p> <p><b>(F31)</b> Shorted RTD sensor probe / wiring problem. Note: "F3" is displayed when oven is in active mode or an attempt to enter an active mode is made.</p>	<ol style="list-style-type: none"> <li>1. Press CLEAR key.</li> <li>2. Check wiring in probe circuit for possible open condition. Check RTD resistance at room temperature (compare to probe resistance chart). If resistance does not match the chart, replace the RTD sensor probe.</li> <li>3. Let the oven cool down and restart the function</li> </ol>
<b>F9</b>	<p><b>(F90 to F94)</b> Door motor mechanism failure.</p>	<ol style="list-style-type: none"> <li>1. Press CLEAR key.</li> <li>2. If CLEAR key does not eliminate problem, turn off power for 30 seconds, then turn on power.</li> <li>3. Check wiring of Lock Motor, and Lock Switch and Door Switch circuits.</li> <li>4. Unplug P5, apply power (L1) directly to the Lock Motor, if the motor does not rotate, replace Lock Motor Assembly. Plug P5.</li> <li>5. Check Lock Switch A for proper operation (do they open and close, check with ohmmeter). The Lock Motor may be powered as in above step to open and close Lock Switch. If the Lock Switch is defective, replace Motor Lock Assembly.</li> <li>6. If all above steps fail to correct situation, replace control.</li> </ol>

RTD SCALE		
Temp. °F	Temp. °C	Resistance (ohms)
32 ± 1.9	0.0 ± 1.1	1000 ± 4.0
75 ± 2.5	23.9 ± 1.4	1091 ± 5.3
250 ± 4.4	121.1 ± 2.4	1453 ± 8.9
350 ± 5.4	176.7 ± 3.0	1654 ± 10.8
450 ± 6.9	232.2 ± 3.8	1852 ± 13.5
550 ± 8.2	287.8 ± 4.6	2047 ± 15.8
650 ± 9.6	343.3 ± 5.3	2237 ± 18.5
900 ± 13.6	482.2 ± 7.6	2697 ± 24.4



CIRCUIT ANALYSIS MATRIX									
	ELEMENTS		Speed Bake P5-3	Light P5-8	Door Motor P5-6	Lock Motor Switches P15-1 & P15-2		Cooling fan DLB L2 out	Door Switch P15-3 COM-NO
	Bake P2	Broil P3				A	P15-1 & P15-7		
Bake	X	X*						X	
Broil		X						X	
Speed Bake	X		X					X	
Clean	X							X	
Locking					X	NC	NO		
Locked						NO	NC		
Unlocking					X	NO	NC		
Unlocked						NC	NO		
Light				X					
Door Open				X					X
Door Closed									

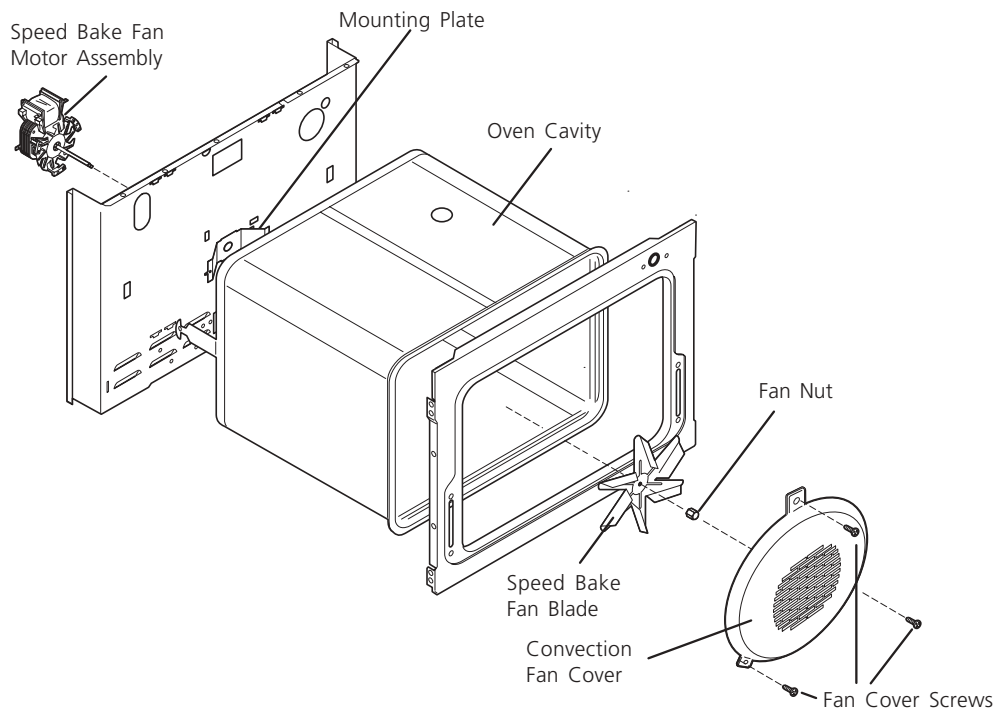
\* Denotes Topheat    \*\* Stage 1    + Stage 2     Relay will operate in this condition only

ELECTRICAL RATING		
	27" Wall Oven	30" Wall Oven
<b>KW Rating 240/208 V</b>	See nameplate	See nameplate
<b>Broil Element Wattage</b>	3400W / 2554W	2750W / 2066W
<b>Bake Element Wattage</b>	2300W / 1728W	3400W / 2553W or 3000W / 2253W

## 2 SPEEDS COOLING FAN

A relay and a thermostat (170°/140°) control the speeds of the blower.

## EXPLODED VIEW OF SPEED BAKE SYSTEM (some models)



### FAN BLADE

The fan blade is mounted in the rear of the unit and has a "D" shaped mounting hole. Only minimum clearance exists between the oven back, fan blade, and fan shroud. Be careful not to bend blade when removing or installing.

Access to the fan blade is gained by removing the fan shroud, held in place by three screws, from the inside of the oven.

The fan blade is held in place with a hex nut that has left handed threads. When removing this nut, gently hold the fan blade, and turn the nut clockwise. If one of the blades becomes deformed, it may be bent back into shape using a flat surface as a reference.

A flat washer is located on the motor shaft between the snap ring on the shaft and the fan blade.

**NOTE:** If the fan blade is bent and motor vibrations increase, the noise made by the fan will be greater.

### MOUNTING PLATE OVEN

The fan motor on the rear of the unit is mounted to the main back (with three screws). There is a mounting plate held in place between the main back (with 2 screws) and the rear oven wall (with 2 screws). Should it be necessary to replace the oven cavity, you must remove the 2 screws located inside the unit at the rear of the oven cavity.

### FAN MOTOR

The 120 volt fan motor is located on the outside of the rear of the oven.

## FAN RELAY

The fan motor runs continuously while in the speed bake mode unless the door is opened. If the fan does not operate, check the following:

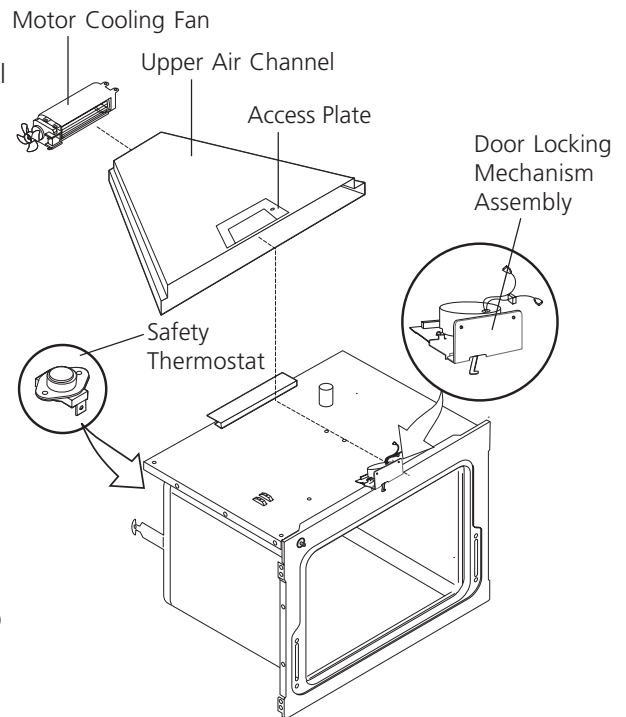
- Display illuminated on the electronic control.
- Voltage output between terminals P5-3 and Neutral.
- 120 Volts available at fan motor.
- Fan motor coil resistance  $56.5 \text{ ohms} \pm 10\%$ .
- Door/light switch.

## DOOR LOCK MECHANISM

The appliance is equipped with an electronic oven control and has an auto locking door latch feature. When the self clean cycle is programmed, the door is locked by a motor operated latch system. The interior of oven doesn't need to heat up to  $500^{\circ}\text{F}/260^{\circ}\text{C}$  before the door locks. However, until the temperature inside oven reaches  $500^{\circ}\text{F}/260^{\circ}\text{C}$ , the self-clean program can be canceled and door will unlock immediately. After oven reaches temperatures over  $500^{\circ}\text{F}/260^{\circ}\text{C}$ , the door will not unlock until temperature drops below  $500^{\circ}\text{F}/260^{\circ}\text{C}$ .

If a problem appears and the door stays locked it is possible for the **servicer** to unlock the door without removing the appliance from its place. Follow the steps below:

1. Trip the circuit breaker to **OFF** position.
2. Remove the 2 screws, which are fixing the oven door latch, located between the control panel and the oven door.
3. When the screws are removed it is possible to unlock the latch with a flat screwdriver, or one of the tools supplied with the wall oven which are used to take off the oven from the cabinet. Insert the tool tip through the slot on top of the oven door. During this step it's important to take care to not damage the appliance.
4. As soon as the latch is in the unlock position, you can open the door.
5. Replace the motor latch:
  1. To have access to the door latch assembly, remove the 3 screws under the control panel which are fixing it.
  2. Remove the access plate located on the upper air channel by removing the screw.
  3. Replace the motor latch by a new one and reassemble in reverse order.



## OVEN DOOR REMOVAL AND REPLACEMENT

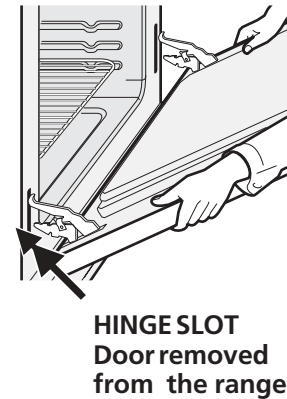
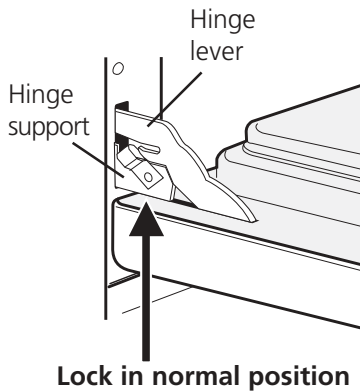
### To Remove the Oven Door:

1. Open the door to the fully opened position.
2. Pull up the lock located on each hinge supports and engage it in the hinge lever. You may have to apply a little downward pressure on the door to pull the locks fully over the hooks.
3. Grab the door by the sides, pull the bottom of the door up and toward you to disengage the hinge supports. Keep pulling the bottom of the door toward you while rotating the top of the door toward the range to completely disengage the hinge levers.

### To Replace the Oven Door:

1. Grab the door by the sides; place the hinge supports in the hinge slots. Open the door to the fully opened position.
2. Disengage the lock from the hinge levers on both sides.  
**Note:** Make sure the hinge supports are fully engaged before unlocking the hinge levers.
3. Close the oven door.

**CAUTION** The door is heavy. After removing door, lay it flat on the floor with the inside of the door facing down.





Horno Eléctrico de Pared con Control Electrónico de Horno

---

---

### NOTICIA

Esta hoja de servicio esta dirigida a las personas con entrenamiento tecnico y a los que tienen un buen nivel de comprension en la reparaci3n de estos aparatos. **El fabricante no puede ser responsable de heridas o da1os de alg3n tipo por el uso de esta hoja de informaci3n.**

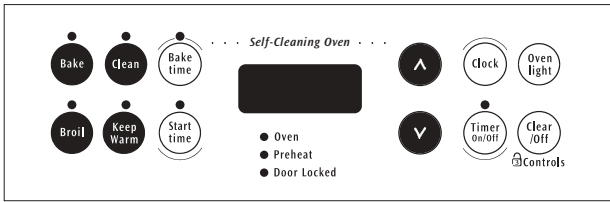
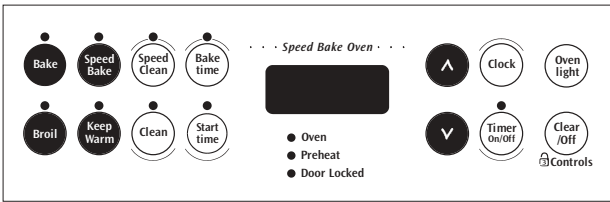
### PRACTICAS DE SERVICIO SEGURAS

Para evitar heridas o da1os a la propiedad, es importante de seguir estas practicas medidas. A continuaci3n, son ejemplos, pero sin limitaci3n, de estas medidas.

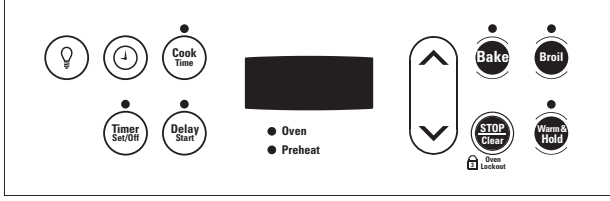
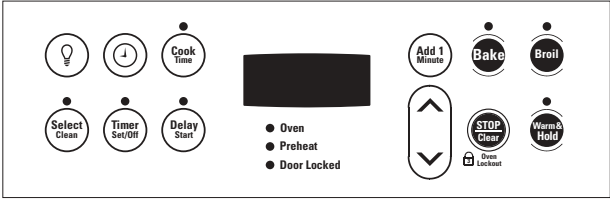
1. No trate de reparar el aparato a menos que crea poder hacerlo satisfactoriamente.
2. Antes de reparar o de desplazar el aparato, retire el cable del toma corriente, APAGUE el suministro de energ3a o retire los fusibles y apague el suministro de gas.
3. Nunca interfiera con la instalaci3n adecuada de un aparato.
4. UTILICE SOLAMENTE EL CATALOGO DE PIEZAS DESIGNADO PARA ESTE APARATO. EL SUBSTITUIRLAS PODRIA ESTAR EN DESACUERDO CON LAS MEDIDAS NECESARIAS PARA LOS APARATOS DE CASA.
5. PUESTA A TIERRA: los cables de seguridad a tierra son VERDES CON LINEAS AMARILLAS. Los cables de tierra no pueden ser utilizados como conductores. ES MUY IMPORTANTE QUE EL TECNICO ESTABLEZCA LA SEGURIDAD DE LA PUESTA TIERRA ANTES DE TERMINAR EL SERVICIO. EL NO HACERLO PUEDE CREAR MUCHO PELIGRO.
6. Antes de devolver el aparato al servicio, aseg3rese que:
  - Todas las conexiones electricas estan bien conectadas y aseguradas.
  - Todos los cables de tierra deben estar bien asegurados, lejos de elementos afilados, lejos de altas temperaturas y cualquier elemento movable.
  - Todos los cables no aislados, conectadores, calentadores, etc. deben estar lo suficientemente lejos de las partes met3licas y de los paneles.
  - Todos los cables de tierra (externos y internos) estan correctamente y bien ensamblados.
  - Todos los paneles estan bien y correctamente ensamblados.

# ES500 CONTROL DEL HORNO ELECTRICO

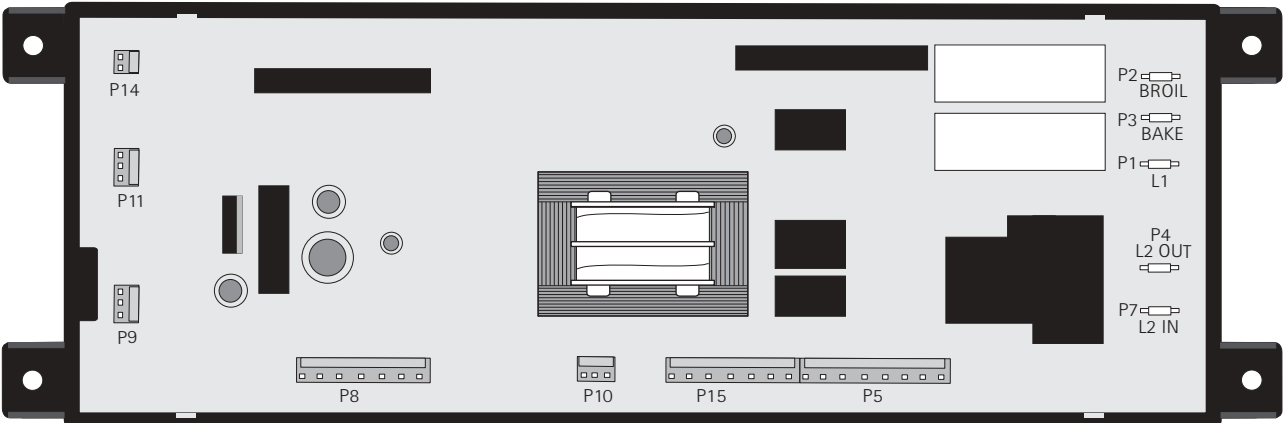
1. Este controlador de auto-limpieza ofrece horneado, asado, "SPEED BAKE", horneado a retardo y cronometrado y funciones de limpieza.
2. Este Controlador tiene una membrana sensible al tacto.



ES350



ES355



**NOTA:** Los ES350/355 no son reparables. Solo los ajustes de temperaturas pueden cambiarse. Vea calibración del horno.

## MODO DE HORNEADO RÁPIDO ("SPEED BAKE") (algunos modelos)

El horno de HORNEADO RÁPIDO ("SPEED BAKE") usa un ventilador adicional para mover el aire en el horno.

El movimiento del aire caliente ayuda a destratificar el calor y a distribuir el calor uniformemente. El tiempo de cocción pueden ser disminuído hasta 30%. El aire es conducido por dentro con la cubierta del ventilador situado en la pared trasera del horno. Después es descargado al exterior por bordes de la cubierta. El aire circula alrededor de la comida y después entra a la cubierta una vez más. Al igual que en las cocinas eléctricas convencionales, hay un orificio de ventilación del horno que se descarga detrás de la parte inferior del panel de control frontal.

Para ajustar el control al horno "speed bake", siga estos pasos:

1. Pulse el botón **SPEED BAKE (HORNEAR/ASAR CONV)**.
2. Ponga la temperatura deseada en el tablero numérico (setpoint).
3. Pulse el botón **START (PRENDIDO)**.

El horno comenzará automáticamente y el ventilador empezará. Para cancelar el MODO DE HORNEADO RÁPIDO pulse el botón **CANCEL (CANCELAR)**.

**NOTA:** El ventilador funciona continuamente en el MODO DE HORNEADO RÁPIDO. El ventilador se parará si abra la puerta. El elemento de hornear continuará a funcionar si la puerta está abierta.

## PRECALENTAMIENTO

Durante un modo de precalentamiento, el horno usa el elemento del horneado para alcanzar el punto ES500. El elemento usa toda la fuerza cuando está encendido. Cuando se alcanza el punto, el modo de precalentamiento es convertido a un modo normal de horneado.

## HORNEO NORMAL

Durante el modo normal de un horneado, el ES500 precalienta el horno con el elemento de horneado. Cuando la temperatura elegida está alcanzada, el ES500 añade el calor del elemento superior, y el elemento de asado se enciende de 12 a 18 segundos por minuto. El elemento de hornear sigue funcionando por lo que resta del minuto. Los dos elementos usan todas sus fuerzas cuando están encendidos, pero nunca están encendidos al mismo tiempo.

## LIMPIAR

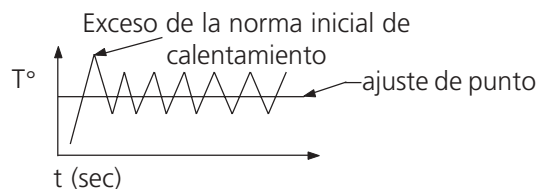
Durante el proceso de limpieza, el horno usa el elemento de horneado.

## LIMPIEZA Y LIMPIEZA CRONOMETRADA

En estos modos la puerta se cierre inmediatamente después que presione el botón.

## CALENTAMIENTO INICIAL

Es normal de ver la temperatura exceder la norma durante el calentamiento inicial de todos los modos cuando controle la temperatura.



## CALIBRACIÓN DEL HORNO

Ajuste el control del horno eléctrico para un horneado normal de 350 F°/176 C°. Obtenga una temperatura promedio después de un mínimo de 5 ciclos. Pulse **CANCEL (CANCELAR)** para apagar el modo del horneado.

**Nota:** cambiar la calibración afecta todos los modos de cocina, pero no el modo de limpieza.

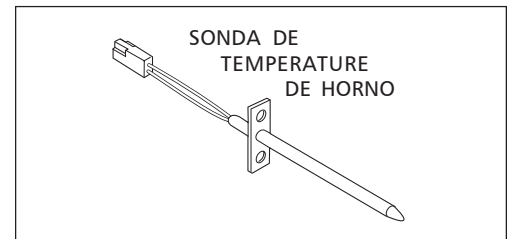
## CONTROL DEL HORNO ELECTRÓNICO

### DESCRIPCIONES DEL CODIGO DE ERROR DEL CONTROL DEL HORNO ELECTRÓNICO Y LA ESCALA HID

Nota: Al seleccionar esta función del horno, obtiene tres series posibilidades en la pantalla; "F1", "F3" y "F9". Generalmente, F1 indica los errores internos en los controles del horno, F3 un problema con la sonda del horno y F9 un problema con el bloqueo de motor. Cada vez que hay un error en la función, una alarma se escuchará.

Código de error	Condición/Causa probable del malfuncionamiento	Sugerencias para corregir
<b>F1</b>	<p><b>(F10)</b> El control ha detectado una situación de escape del horno. El control ha podido acortar el relevo, el sensor RTD se ha descompuesto.</p> <p><b>(F11)</b> Tablero numérico acortado.</p> <p><b>(F13)</b> El verificador interno de los controles ha sido distorcionado.</p> <p><b>(F14)</b> Falso contacto de cables.</p>	<ol style="list-style-type: none"> <li>1. Verifique el sensor RTD y replázelo si es necesario. Si el horno continua a recalentarse, remplace el EOC. Un recalentamiento extremo necesitaría el replazo del horno entero si el daño es más importane.</li> <li>2. Pulse el boton CLEAR.</li> <li>3. Desconecte el suministro eléctrico, espere 30 segundos y conecte el suministro. Si la falla se repite, remplace CHE (EOC).</li> <li>4. Desconecte la corriente, verifique la conexion de los cables (p6 ó p12).</li> </ol>
<b>F3</b>	<p><b>(F30)</b> Abrir el sensor RTD/problema de lambrado. Nota: EOC puede mostrar inicialmente un "F1", pensando que una situación de escape existe.</p> <p><b>(F31)</b> Acortar el sensor RTD/problema de alambrado. Nota: "F3" aparecerá cuando el horno este en modo activo o se intenta de entrar al modo activo.</p>	<ol style="list-style-type: none"> <li>1. Pulse el boton CLEAR.</li> <li>2. Verifique si el circuito de alambrado no está corto. Verifique la resistencia de RTD a la temperatura de la pieza (compárela a la tabla de resistencias). Si la resistencia no es igual a la de la tabla, replaze el sensor RTD.</li> <li>3. Deje enfriar el horno y vuelva a empezar la función</li> </ol>
<b>F9</b>	<p><b>(F90 a F94)</b> Falla del mecanisom del motor de puerta.</p>	<ol style="list-style-type: none"> <li>1. Pulse el boton CLEAR</li> <li>2. Si al pulsar CLEAR, el problema no desaparece, desconecte el suministro eléctrico por 30 segundos y luego vuelva a conectarlo.</li> <li>3. Verifique el alambrado del Cierre del motor y el Cierre del interruptor y también los Circuitos de interruptores de la puerta.</li> <li>4. Desconecte P5, conecte el suministro eléctrico (L1) directamente al Cierre del motor. Si el motor no rota, remplace el Asamblado del cierre del motor. Conecte P5.</li> <li>5. Verifique si los Interruptores de cierre A funcionan correctamente (se abren y se cierran, verifiquelo con un ohmometro). El Cierre del motor puede ser utilizado como anteriormente para abrir y cerrar los Interruptores de cierre. Si estos no funcionan, remplace el Asamblado del cierre del motor.</li> <li>6. Si todas estas sugerencias no corrigen la situación, remplace el control.</li> </ol>

RTD SCALE		
Temp. °F	Temp. °C	Resistencia (ohms)
32 ± 1.9	0.0 ± 1.1	1000 ± 4.0
75 ± 2.5	23.9 ± 1.4	1091 ± 5.3
250 ± 4.4	121.1 ± 2.4	1453 ± 8.9
350 ± 5.4	176.7 ± 3.0	1654 ± 10.8
450 ± 6.9	232.2 ± 3.8	1852 ± 13.5
550 ± 8.2	287.8 ± 4.6	2047 ± 15.8
650 ± 9.6	343.3 ± 5.3	2237 ± 18.5
900 ± 13.6	482.2 ± 7.6	2697 ± 24.4



MATRIZ DE ANÁLISIS DE CIRCUITO									
	ELEMENTOS		Horneado rápido P5-3	Luz P5-8	Motor Puerta P5-6	Interr. Motor Cierre		DLB L2 out	Cerradura de puerta P15-3 COM-NO
	Hornear P2	Asar P3				P15-10 & P5-11	A P5-10 & P5-13		
Hornear	X	X*						X	
Asar		X						X	
Horneado rápido	X		X					X	
Limpia	X							X	
Cerrando					X	NC	NO		
Cerrado						NO	NC		
Abriendo					X	NO	NC		
Abrido						NC	NO		
Luz				X					
Puerta Abierta				X					X
Puerta Cerrada									

Puerta Cerrada

\* Denota el calor del elemento superior \*\* Etapa 1 + Etapa 2

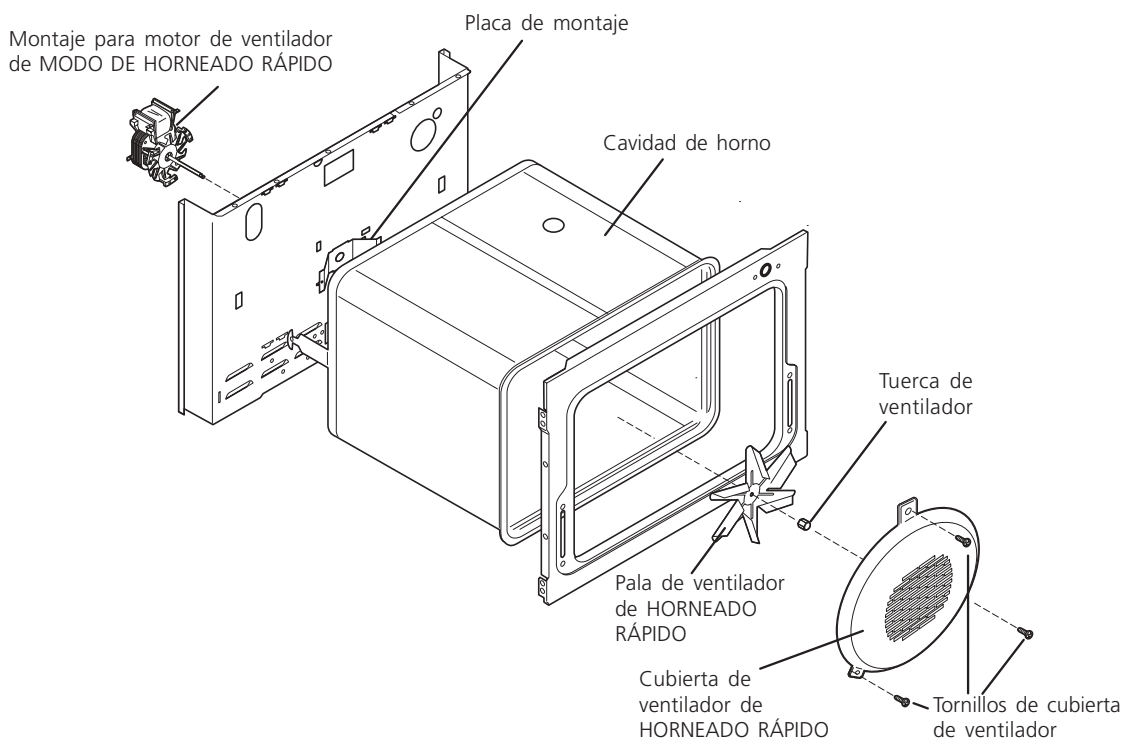
■ El relé va a funcionar en esta condición solamente.

CALIBRACIÓN ELÉCTRICA		
	Horno de pared 27"	Horno de pared 30"
KW Calibración 240/208 V	Ver la placa del fabricante	Ver la placa del fabricante
Vatio de elemento para asar	3400W / 2554W	2750W / 2066W
Vatio de elemento para hornear	2300W / 1728W	3400W / 2553W o 3000W / 2253W

## 2 VENTILADOR PARA ENFRIAR EL HORNO CON VELOCIDADES

Un relé y un termostato (170°/140°) controlan las velocidades del ventilador.

## VISTA AGRANDADA DE SISTEMA DE HORNEADO RÁPIDO



### LAMA DEL VENTILADOR

La lama del ventilador está montada detrás del aparato y tiene una forma de "D" montada en el hueco. Solo un pequeño espacio existe entre la parte posterior del horno, la lama del ventilador y la cubierta del ventilador del horno. Tenga mucho cuidado de no inclinar la lama cuando la retire o la instale.

Puede tener acceso a la lama del ventilador retirando la cubierta de este por adentro del horno. La cubierta del ventilador está fijada con 3 tornillos.

La lama del ventilador está fijada con un tornillo hexagonal con enrosques hacia la izquierda. Cuando quite este tornillo, sostenga delicadamente la lama del ventilador y voltee el tornillo en la dirección de las agujas de un reloj. Si unas de estas lamas se deforman, se pueden doblar para que tomen forma en una superficie plana.

Un lavador plano está situado en el eje del motor entre el anillo sujetador y la lama del ventilador.

**NOTA:** Si la lama del ventilador está doblada y las vibraciones del motor aumentan, el ventilador producirá más ruido.

### MONTAJE DEL PLATO DEL HORNO

El motor del ventilador localizado detrás del aparato, está ajustado a la parte trasera (con tres tornillos). Está también un plato montado sostenido en su lugar entre la parte trasera (con dos tornillos) y detrás de la pared del horno (con dos tornillos). Si es necesario reemplazar la cavidad del horno, tiene que retirar los 2 tornillos situados dentro del aparato detrás de la cavidad del horno.

### MOTOR DEL VENTILADOR

El motor de ventilador está situado en la parte exterior trasera del horno. Es un motor de 2120 voltios.

## RETRAZO DEL VENTILADOR

El motor del ventilador funcionará continuamente en el modo de HORNEADO RÁPIDO mientras la puerta no este abierta. Si el ventilador no funciona, revise lo siguiente:

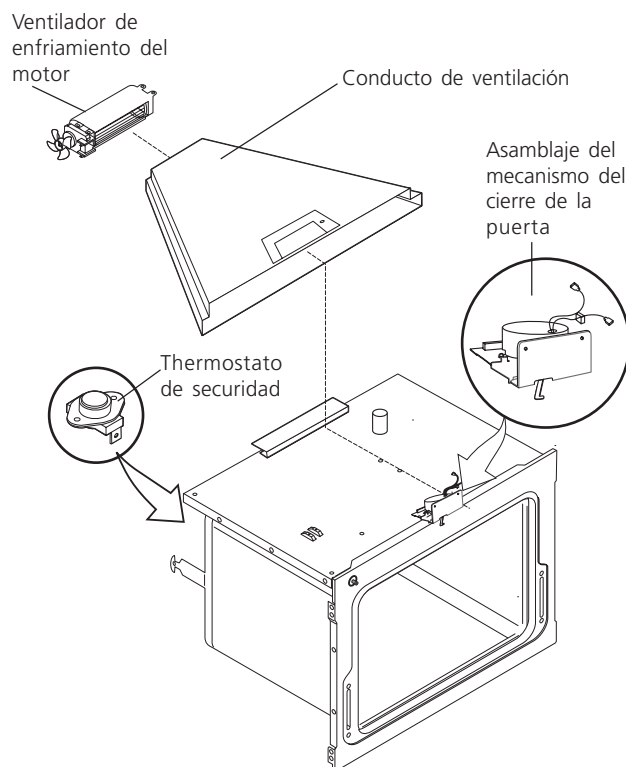
- Lo que aparece en la pantalla del control electrónico.
- Voltaje entre los terminales P5-3 y Neutral
- 120 voltios disponible en el motor del ventilador
- El motor del ventilador tiene una resistencia de 56.5 ohms =10%
- Botón de puerta /luz

## CIERRE DE LA PUERTA

El aparato esta equipado con un horno eléctrico y tiene un cerrojo auto-cierre para la puerta. Cuando la auto-limpieza este programada, la puerta esta cerrada con un motor funcionando con un sistema de cerrojo. El interior del horno no necesita llegar a una temperatura mas de 500° F/260° C antes que la puerta cierre. Mientras que la temperatura del horno no llegue a 500° F/260° C, el programa de auto-limpieza puede ser cancelado y la puerta se abrirá rapidamente. Después que la temperatura llegue mas de 500° F/260° C, la puerta no abrirá hasta que la temperatura baje menos de 500°F/260°C.

Si surge un problema y la puerta queda cerrada, es posible que quien realiza el **servicio** destrabe la puerta sin retirar el artefacto de su lugar. Seguir los siguientes pasos:

1. Girar el interruptor automático a la posición de **APAGADO**.
2. Retirar los 2 tornillos que fijan el cierre de la puerta del horno, ubicado entre el panel de control y la puerta del horno.
3. Cuando se retiran los tornillos es posible destrabar el cierre insertando un destornillador plano, o utilizando una de las herramientas que se proveen con la cocina y que se usan para retirar el artefacto del mueble, a través de la ranura que está en la parte superior de la puerta del horno. Durante este paso es importante tener cuidado de no dañar el artefacto.
4. Ni bien el cierre esté en la posición de abrir, se puede abrir la puerta del horno.
5. Reemplazar el motor del mecanismo de cierre:
  1. Para tener acceso al mecanismo de cierre, remueva los tres tornillos localizados debajo del panel de control que lo fijan.
  2. Remueva la placa localizada en el canal de aire removiendo el tornillo.
  3. Reemplaze el motor por uno nuevo y re-ensamble en orden inverso al mencionado.



## PARA RETIRAR Y REPONER LA PUERTA DEL HORNO

### Para retirar la puerta del horno:

1. Abra la puerta completamente.
2. Tire el cierre situado en cada una de las bisagras de ambos lados y colóquelo en las palancas de las bisagras. Tendrá que aplicar una pequeña presión hacia abajo sobre la puerta para poder retirar el cierre de sus ganchos.
3. Tome la puerta de cada lado, tire la base de la puerta para arriba y hacia Ud. para desalojarla de sus soportes. Siga tirando la base de la puerta hacia Ud, y haciendo un movimiento de rotación de la parte superior hacia la cocina para desalojar completamente de las bisagras.

### Para reemplazar la puerta del horno:

1. Tome la puerta por los lados; coloque los soportes sobre las ranuras de las bisagras. Abra la puerta completamente.
2. Desaloje el cierre de la palanca de las bisagras de ambos lados.

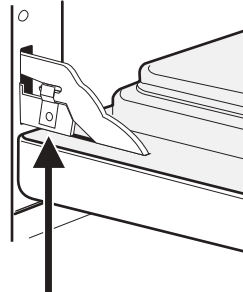
**Nota:** Asegúrese que los soportes de las bisagras estén completamente en posición antes de liberar las palancas de las bisagras.

3. Cierre la puerta del horno.

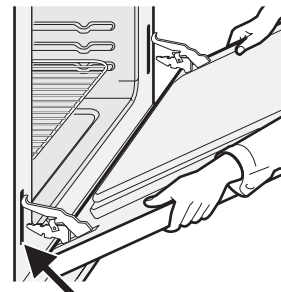
**⚠ ATENCION** La puerta es pesada. Luego de retirarla, colóquela a tierra con la parte interior hacia abajo.



Cierre en posición normal



Cierre en posición enganchada, para sacar la puerta



Agujero para la bisagra puerta quitada del horno