



*Frigidaire*

## Factory Parts Catalog

|                           |               |
|---------------------------|---------------|
| Product No.               | FEB30S7FCA    |
|                           | 38254383F60S1 |
| Series                    | 30" single    |
| Color                     | stainless     |
| Market                    | North America |
| Wiring Diagram            | 318046237     |
| Owner's Guide             | 318200943     |
| Installation Instructions | 318201514     |
| Service Data Sheet        | 316047413     |
| Timer Guide               | 318200189     |

 **Electrolux**

Electrolux Major Appliances  
North & Latin America  
P.O. BOX 212378  
AUGUSTA, GA 30917

Publication No.  
**5995469052**  
06/06/28  
(EN/SERVICE/ECL)  
377

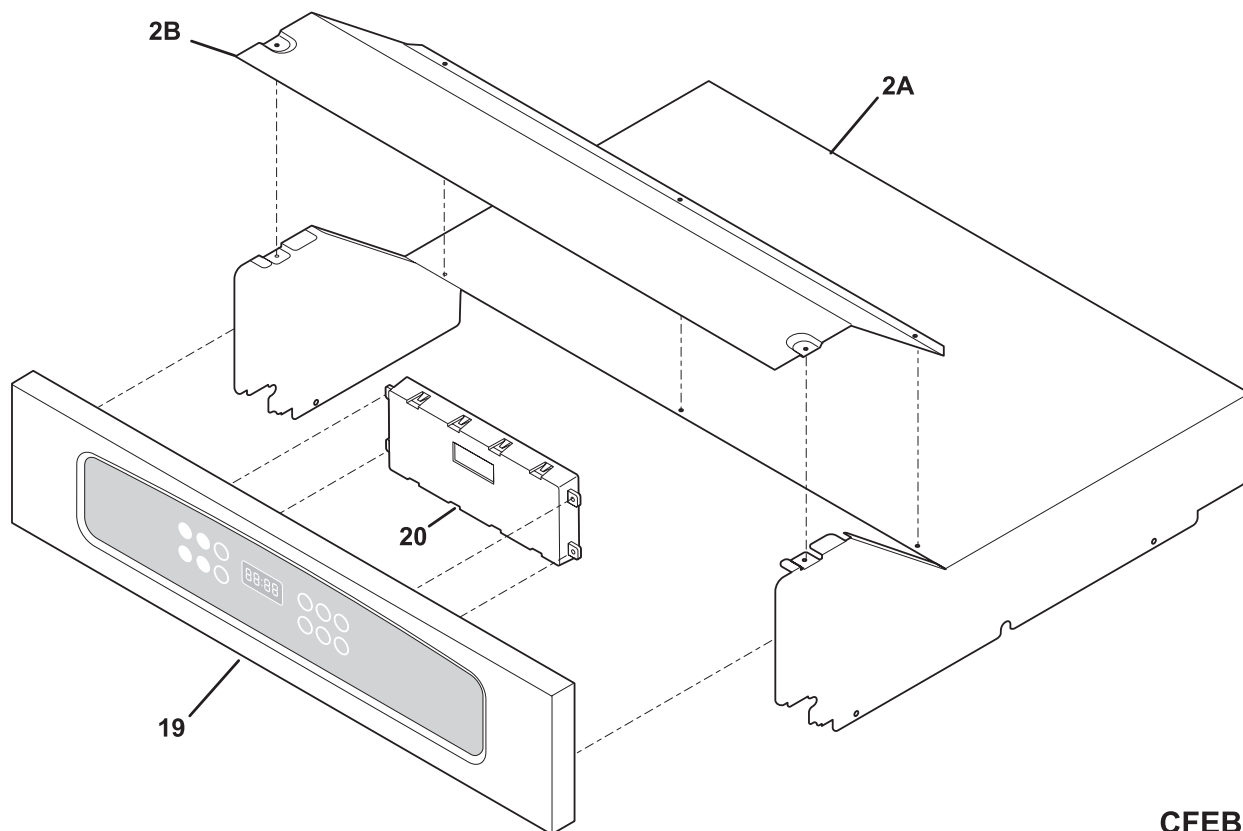
### **SINGLE ELECTRIC WALL OVEN**

**Model No.  
FEB30S7F**

Copyright © 2006 Electrolux Home Products, Inc.  
All rights reserved.

**CONTROL PANEL**

---



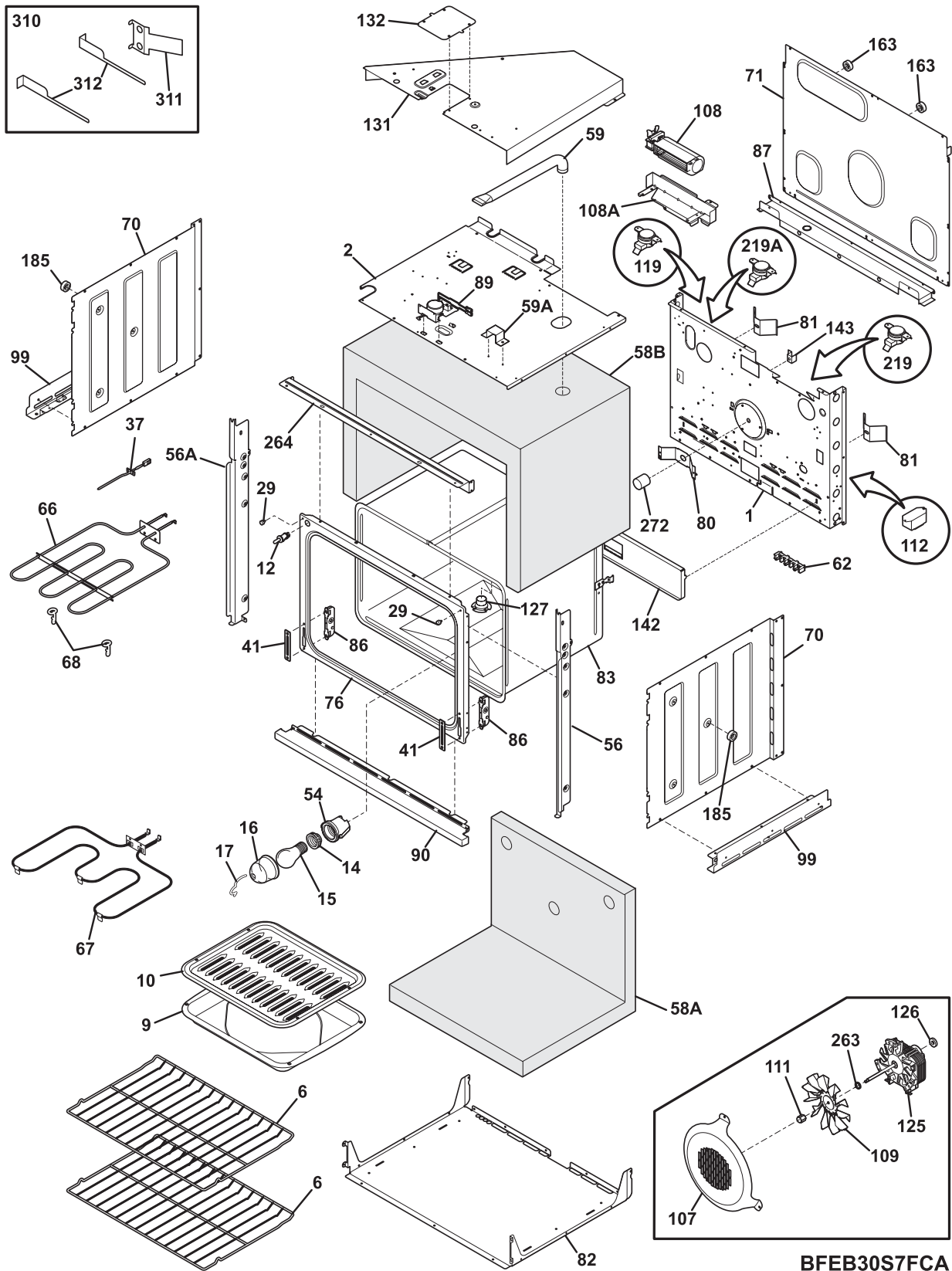
**CFEB30S7DCA**

**CONTROL PANEL**

---

| POS. NO | PART NO.   | DESCRIPTION   |
|---------|------------|---|
| 2A      | 318257300  | Shield, oven top  |
| 2B      | 318260100  | Cover, box  |
| 19      | 318271527  | Control Panel Assembly, steel/glass, stainless/black, w/touch pad |
| 20 #    | 316418523  | Clock/Timer, electronic, ES350W2                                  |
| *       | 5303311306 | Screw, 8-18 x 0.375, (3)  |
| *       | 5303211311 | Screw, 8 x 0.500  |

**BODY**



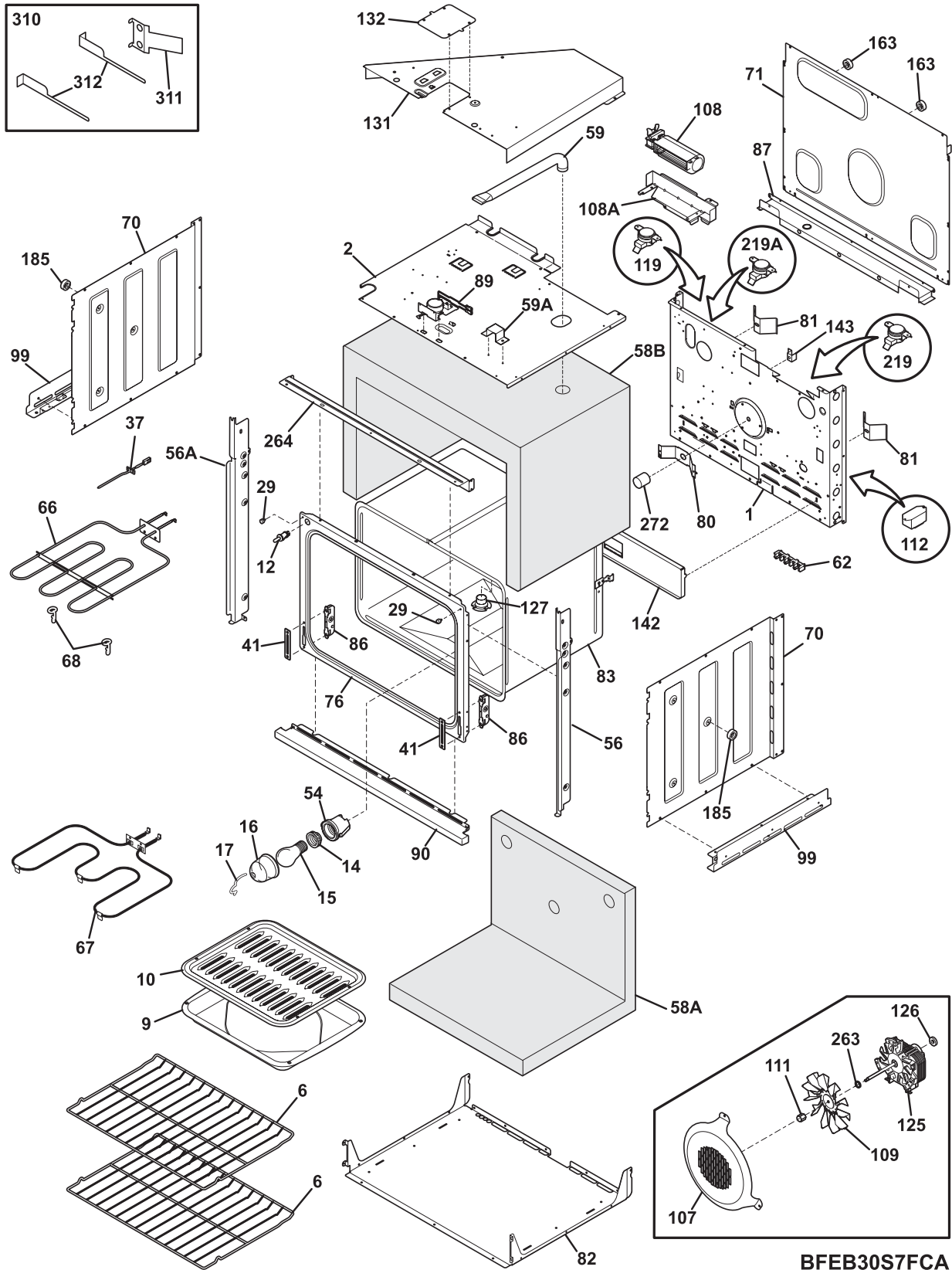
---

**BODY**


---

| POS. NO | PART NO.   | DESCRIPTION                              |
|---------|------------|--|
| 1       | 318259204  | Back, main                               |
| 2       | 318258902  | Shield, insulation, upper                |
| 6       | 318345207  | Rack, oven                               |
| 9       | 5303317977 | Pan, broiler                             |
| 10      | 5303317976 | Insert, broiler pan                      |
| 12 #    | 318089917  | Switch, light                            |
| 14      | 318224000  | Receptacle, oven light                   |
| 14*     | 318268099  | Insulation, oven light                   |
| 15      | 5303013071 | Bulb/Lamp, light                         |
| 16      | 08011086   | Lens, oven light, glass                  |
| 17      | 5304400195 | Retainer, light cover                    |
| 29      | 318147411  | Bumper, (2)                              |
| 37 #    | 316217002  | Probe, oven temp                         |
| 41      | 5303310526 | Cover, hinge cutout                      |
| 54      | 318222400  | Housing, oven light                      |
| 56      | 318259904  | Trim, side filler, black, RH             |
| 56A     | 318259905  | Trim, side filler, black, LH             |
| 58A     | 318285055  | Insulation, oven wrapper                 |
| 58B     | 318285056  | Insulation, oven back                    |
| 59      | 318072560  | Duct, oven vent                          |
| 59A     | 318261600  | Bracket, vent tube                       |
| 62      | 316056000  | Terminal Block                           |
| 62*     | 5303323139 | Screw, 10-24 x 0.906                     |
| 62*     | 5303323144 | Nut, 10-32                               |
| 66 #    | 318255600  | Element, broil, 2750W                    |
| 67 #    | 318255401  | Element, bake, 3400W                     |
| 68      | 5304403015 | Support, hanger, (2), broil element      |
| 70      | 318259100  | Shield, insulation, sides, (2)           |
| 71      | 318260007  | Panel, rear box                          |
| 76      | 318056217  | Front, oven                              |
| 80      | 5303320846 | Plate, oven mtg                          |
| 81      | 318192400  | Spring, oven                             |
| 82      | 318258707  | Shield, insulation, lower                |
| 83      | 318261404  | Liner, oven assy                         |
| 86      | 5303310524 | Receptacle, hinge                        |
| 87      | 318260600  | Bracket, cable mtg.                      |
| 89 #    | 318261209  | Motor, latch assy                        |
| 90      | 318259803  | Trim, base, stainless                    |
| 99      | 318256200  | Bracket, side, bottom, (2)               |
| 107     | 318219401  | Cover, fan                               |
| 108#    | 318073018  | Motor, blower                            |
| *       | 08016432   | Screw, truss head, 8-18 x 0.375          |
| 108A    | 318251300  | Bracket, fan support                     |
| 109     | 316136400  | Blade, fan                               |
| 111     | 316136600  | Nut, fan retainer                        |
| 112#    | 318112701  | Relay                                    |
| 119#    | 318004900  | Switch, thermal                          |
| 125#    | 316415800  | Motor, fan                               |
| 125*    | 5303316994 | Insulation, 3.81 x 3.13                  |
| 126     | 318142100  | Washer, motor, RH, convection            |
| 127     | 318317100  | Adapter Assembly, vent tube, w/converter |

**BODY**



**BFE30S7FCA**

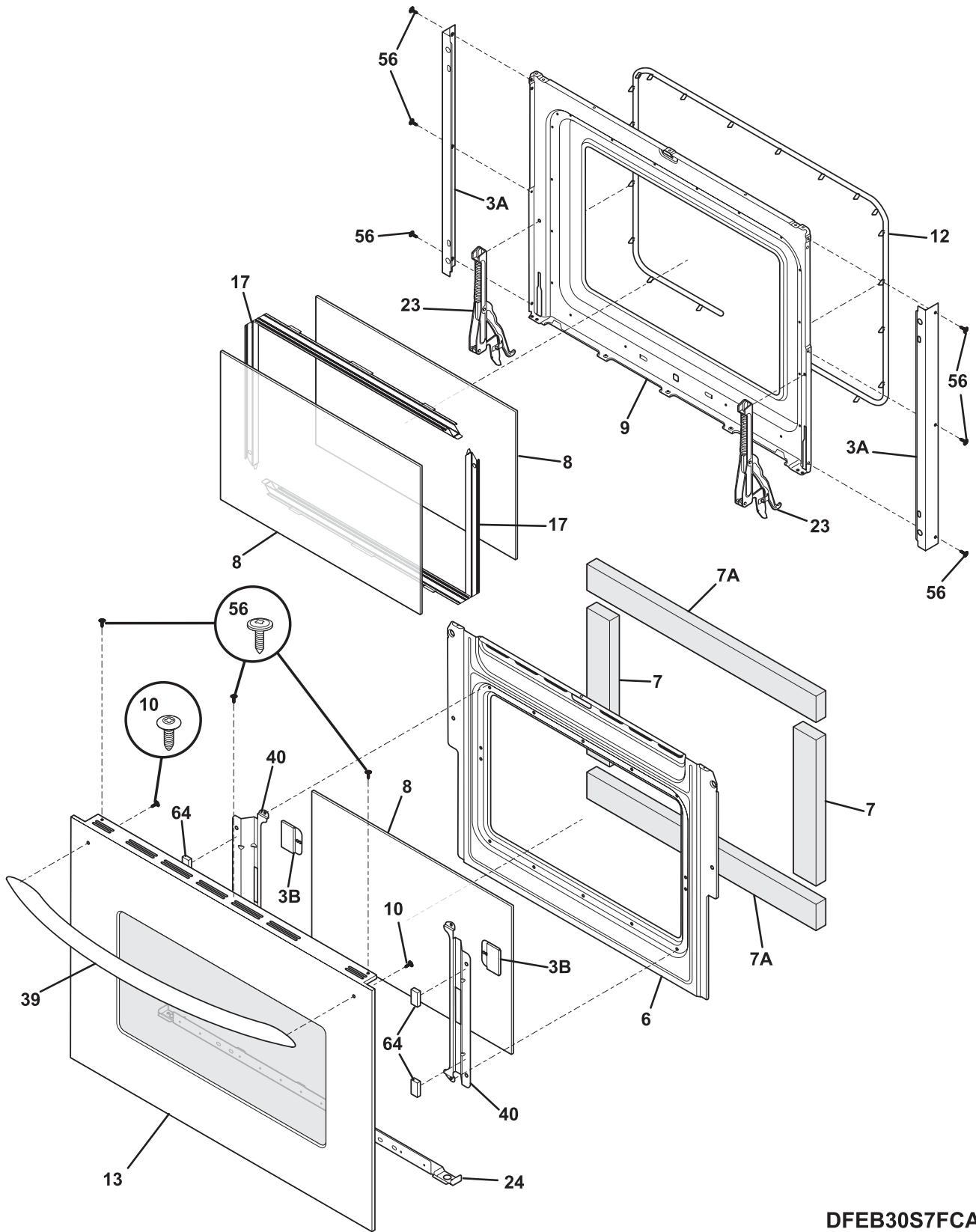
---

**BODY**


---

| POS. NO | PART NO.   | DESCRIPTION                             |
|---------|------------|---|
| 131     | 318272900  | Box, vent                               |
| 132     | 318003000  | Plate, shield                           |
| 142     | 318123910  | Deflector                               |
| *       | 5303324184 | Screw, 8-18 x 5/16, black, (4)          |
| 143     | 318172904  | Support, wire                           |
| 163     | 318014111  | Spacer                                  |
| 185     | 318014700  | Spacer, oven shield, (4)                |
| 219#    | 318003614  | Thermostat, safety                      |
| 219A    | 318003613  | Thermostat, safety, 1.375" mtg, 105/120 |
| 263     | 316136500  | Washer, flat                            |
| 264     | 318257701  | Trim, oven, black, front                |
| 272     | 318249401  | Tube, protector                         |
| 310     | 5304440067 | Cabinet Mounting Kit                    |
| 311     | 318246010  | Bracket, cabinet mtg, (2)               |
| 311*    | 5304438005 | Screw, 6 x 1, black                     |
| 312     | 318246702  | Tool, cabinet bracket, RH               |
| 312     | 318246703  | Tool, cabinet bracket, LH               |
| * #     | 318078542  | Box & wires assy                        |
| *       | 318231736  | Harness, wiring, main                   |
| *       | 5303323136 | Screw ground                            |
| *       | 3201861    | Screw, 6 x 0.375, (4)                   |
| *       | 5303211311 | Screw, 8 x 0.500                        |
| *       | 5304436875 | Screw, 8-18 X 1/2, black                |
| *       | 5303323277 | Screw, 8-18 X 13/32                     |

DOOR



DFEB30S7FCA



---

**DOOR**


---

| POS. NO | PART NO.   | DESCRIPTION                              |
|---------|------------|--|
| 3A      | 318260401  | Trim, oven door, side, (2)               |
| 3B      | 318262101  | Cover, rear door, black, (2)             |
| 6       | 318260520  | Baffle, door                             |
| 7       | 318285057  | Insulation, oven door                    |
| 7A      | 318285062  | Insulation, oven door                    |
| 8       | 316117500  | Glass, oven door, heat barrier           |
| 9       | 318259605  | Liner, door                              |
| 10      | 5303325980 | Screw, 10-32 x 0.437                     |
| 12      | 318053130  | Seal, oven door, upper                   |
| 13      | 318272166  | Door Assy, glass, stainless steel, outer |
| 17      | 316402403  | Spacer, door glass, (2)                  |
| 23      | 318024714  | Hinge, door, (2)                         |
| 24      | 318260301  | Trim, door, black, lower                 |
| 39      | 318219802  | Handle, door/drawer, stainless           |
| 40      | 318242700  | Bracket, glass holder, (2)               |
| 56      | 5304436875 | Screw, 8-18 X 1/2, black                 |
| 64      | 318165800  | Spacer                                   |
| *       | 08016432   | Screw, truss head, 8-18 x 0.375          |
| *       | 5303211311 | Screw, 8 x 0.500                         |
| *       | 5303300265 | Screw, 8-18 X 1/2, (2)                   |
| *       | 5303323277 | Screw, 8-18 X 13/32                      |

WIRING DIAGRAM

