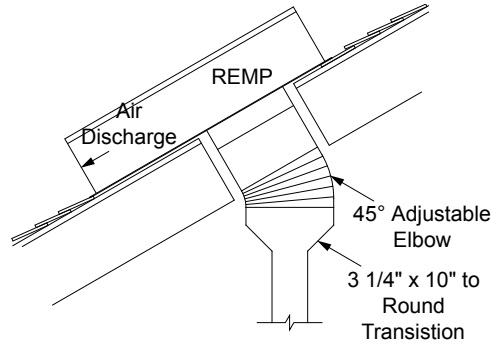
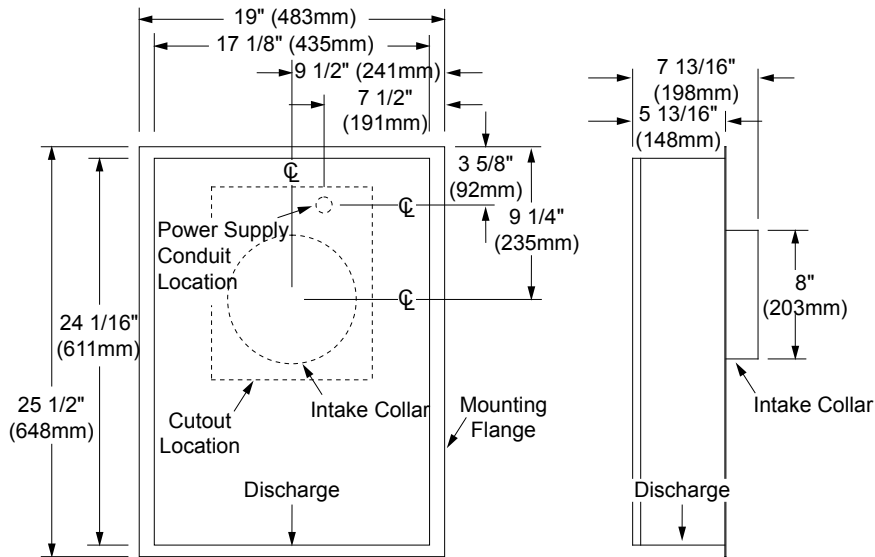


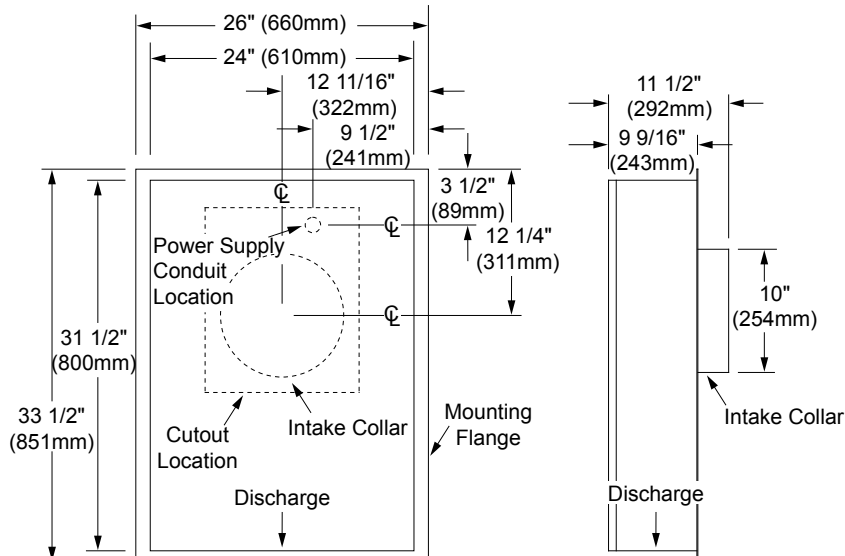
REMP3, REM16



REMP SLOPED INSTALLATION
(Cutaway Side View)

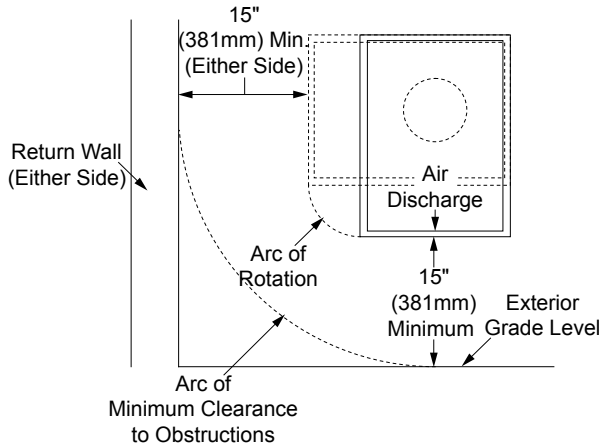


REMP3 OVERALL DIMENSIONS
(Top & Side Views)



REMP16 OVERALL DIMENSIONS
(Top & Side Views)

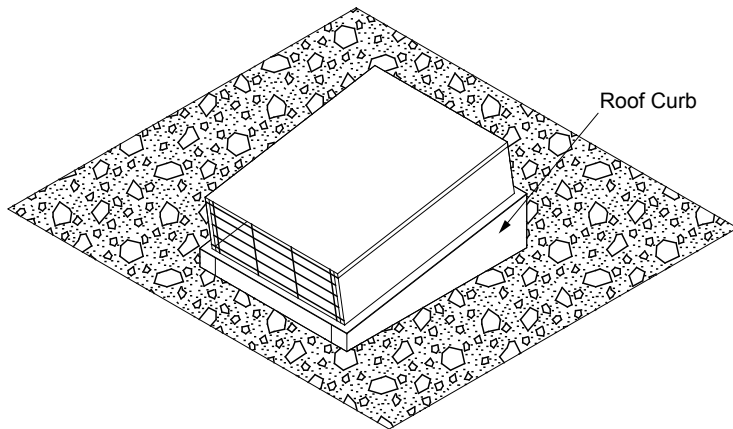
REMP3, REMP16



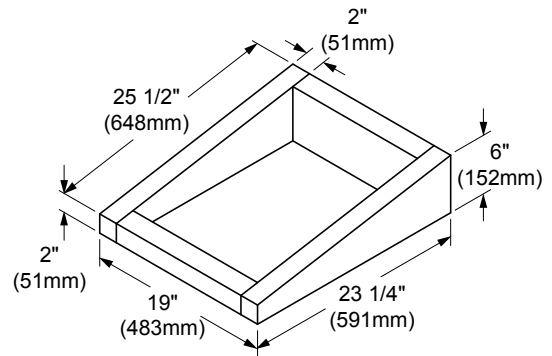
REMP CHASSIS ROTATION
(Exterior Wall View)

NOTE:

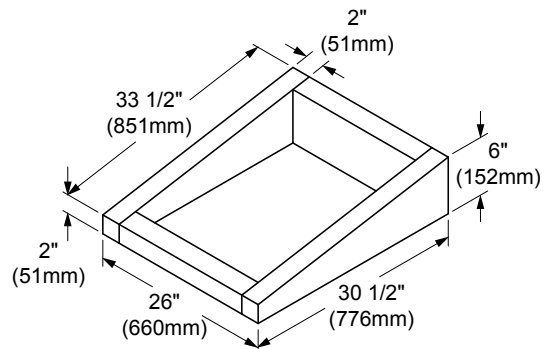
1. The REMP chassis may be rotated to clear obstructions. 15" (381mm) min. clearance must be maintained from the air discharge to any obstruction. When mounting in a horizontal position, shield the REMP to protect from possible water collection in the chassis. Maintain a minimum down slope of 1/4" (6mm) per foot for evacuation of water.
2. When the REMP is installed on to a flat (less than a 1:12 pitch) roof, a roof curb is required.



REMP WITH ROOF CURB
(Top & Side Views)



**REMP3
ROOF CURB DIMENSIONS**



**REMP16
ROOF CURB DIMENSIONS**

Model No.	Dedicated Circuit Required	Maximum Duct Length	Total Connected Load	Blower Rating	Approximate Shipping Weight	Finish
REMP3	Refer to Ventilator Specifications	Refer to Duct Planning Specifications	0.05kW (4A)	1000 CFM	40 lbs.	Galvanized (may be painted)
REMP16			0.03kW (3A)	1600 CFM	72 lbs.	