

# JTP55BM/CM/WM

## GE® 30" Built-In Double Wall Oven

### Dimensions and Installation Information (in inches)

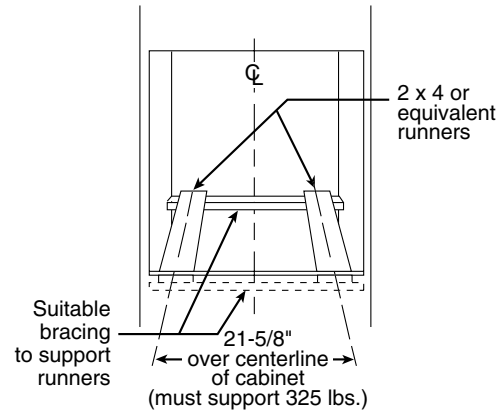
KW Rating	
240V	9.0
208V	6.8
Breaker Size	
240V	40 Amps
208V	40 Amps

**Note:** Cabinets installed adjacent to wall ovens must have an adhesion spec of at least a 194°F temperature rating.

**Note:** If marks, blemishes or the cutout opening is visible above the installed oven, it may be necessary to add wood shims under the runners and front trim until the marks or openings are covered.

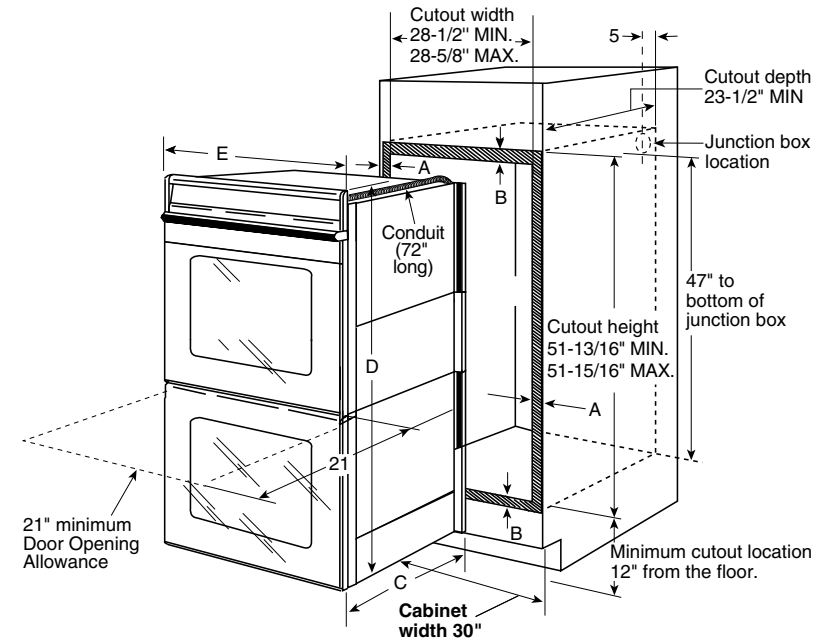
Door handle protrudes 3" from door face. Cabinets and drawers on adjacent 45° and 90° walls should be placed to avoid interference with the handle.

**Installation Information:** Before installing, consult installation instructions packed with product for current dimensional data.



Cabinet	30"
A – Overlap of oven over side of edges of cutout	11/16"-3/4"
B – Overlap of oven at top and bottom of cutout	1"
Oven	
C – Overall depth*	23-1/2"
D – Overall height with trim	53-3/8"
Overall height without trim	52-7/8"
E – Overall width	29-3/4"

\*Depth including door handle is approximately 26-6/10" min. to 26-9/10" max.



MOST 30" WALL CABINETS CAN BE USED WITH THIS UNIT.  
THE OPENING BETWEEN THE INSIDE WALLS MUST BE AT LEAST 28-1/2" WIDE.

For answers to your Monogram®, GE Profile™ or GE® appliance questions, visit our website at [ge.com](http://ge.com) or call GE Answer Center® service, 800.626.2000.



imagination at work



Listed by  
Underwriters  
Laboratories



Specification Created 1/07

320136

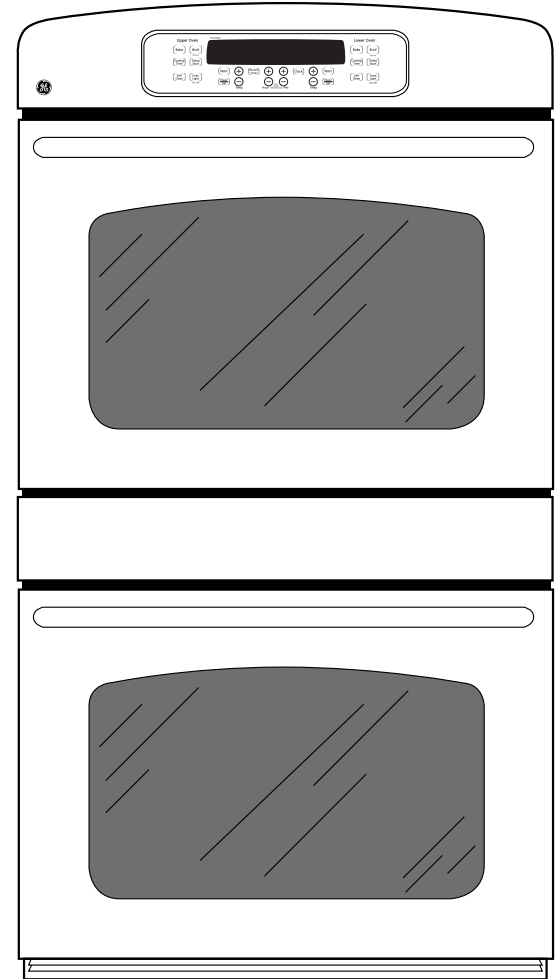
# JTP55BM/CM/WM

## GE® 30" Built-In Double Wall Oven

### Features and Benefits

- Extra-Large Oven Capacity - Provides a large oven interior ideal for cooking more items at once
- Self Clean Oven - Conveniently cleans the oven cavity without need of scrubbing
- TrueTemp™ System - Delivers even heat distribution and maximum oven control
- Improved Lighting - Positions lamps diagonally across the top of the oven to promote better viewing
- Eight-Pass Bake Element - A powerful, continuous heating element loops throughout the oven, delivering evenly cooked foods
- Six-Pass Broil Element - Provides a more even coverage of the food on the broiler pan
- Hidden Bake Oven Interior - Hides previously exposed bottom element to deliver a clean interior appearance
- Heavy-Duty Oven Racks - Provides extra support
- Electronic Oven Controls - One-touch electronic pads are easy-to-use and allow for simple oven operation
- Two Oven Racks - Feature a durable construction to help accommodate any size or type of cookware
- Model JTP55BMBB – Black on black
- Model JTP55CMCC – Bisque on bisque
- Model JTP55WMWW – White on white

For answers to your Monogram,® GE Profile™ or GE® appliance questions, visit our website at [ge.com](http://ge.com) or call GE Answer Center® service, 800.626.2000.



imagination at work



Listed by  
Underwriters  
Laboratories



Specification Created 1/07

320136