

Washer Tech Data Sheet

This information is intended for Qualified Technicians Only.

CAUTION: DISCONNECT ELECTRICAL CURRENT BEFORE SERVICING

Please Return This Sheet to its Envelope in the Product for Future Reference

Contents	Page
Error code explanation.....	1-2
Diagnostics	2
Error Code Chart.....	3
Tests.....	4-5
Français.....	6-10
Wiring diagram.....	11

The electronic controls of the 3.0 Cu. Ft. horizontal axis washers have self diagnostics codes built in that cover most products failures.

Model differences:

- Better models have a digital readout display
- Good models do not have a digital readout display

In the **Better Models** line, the failure codes will appear in the display as an E followed by two numbers, a number and a letter or two letters. The control will beep and the **Door Lock, Wash, Rinse, Final Spin and Control** indicator lights will flash. Example: **E14**. To stop the flashing and beeping, the customer may touch the **Pause Cancel** button. The error code remains stored in the control but once the problem is corrected, it does not effect the operation of the washer. If the failure is something that the customer can correct (such as the water faucets being turned off), the washer will operate normally the next time it is started.

In the **Good Models** line, the control signals the failure code by flashing the five indicator lights of **Door Lock, Wash, Rinse, Final Spin and Control** for the first number or letter after the E and the **Start** indicator light for the second number or letter after the E. When a failure occurs, the washer stops or pauses and the control beeps and flashes the five indicator lights to tell the customer that a failure has occurred. To stop the flashing and beeping, the customer may touch the **Pause Cancel** button. The error code remains stored in the control but once the problem is corrected, it does not effect the operation of the washer. If the failure is something that the customer can correct (such as the water faucets being turned off), the washer will operate normally the next time it is started.

To recall an error code,

- Wake the machine by pressing any button
- Wait 5 seconds
- Press and hold the **Start** and **Pause Cancel** buttons simultaneously
- All LEDs will go blank and after a few seconds the control will signal the stored code using audible beeps and blinking LEDs. The control will repeatedly signal the code, as long as the **Start and Pause Cancel** buttons are pressed.

A two-second pause between repeats affords you the ability to make accurate counts to identify the correct error codes.

Please Note the following..... on a small number of washers with serial number prefix XC4, if the previous procedure does not perform as specified, follow the option below:

- Follow all previous steps but instead of pressing **Start** and **Pause Cancel** buttons, press and hold **Options** and **Pause Cancel** buttons.

If the washer is a **Better Model**, the error code will appear in the display. Troubleshoot problem by using charts on the following pages.

If the washer is a **Good Model**, the five indicator lights of **Door Lock, Wash, Rinse, Final Spin and Control** will flash the number of times for the first digit of the code and the **Start** indicator light will flash the number of times for the second digit. Take separate counts of each indicator light, then repeat to confirm in order to be accurate in identifying the proper error code. The code is obtained by counting the number of times the lights flash. Example E24: The five indicator lights would flash twice indicating the 2 and the **START** indicator light will flash four times indicating the 4. The five indicator lights and the **START** indicator light start flashing at the same time.

The control will pause for 2 seconds, then repeat the code as long as the two buttons are pressed and held.

Note: A letter appearing in the code stands for a number higher than nine:

A = 10 B = 11 C = 12 D = 13 E = 14 F = 15

Example Code F1: the first digit would be 15 and the second digit would be 1. If this code would appear on a washer in the **Good** model line, the five indicator lights would blink fifteen times and the **START** indicator light would blink once. Troubleshoot problem by using charts on the following pages.

Quick Check

If there is no error displayed and the washer momentarily starts then turns back off:

1. Listen for a relay closure inside the motor control shortly after the **START** key is pressed. If this happens, the motor control has power.
2. Check the 5 pin connector wiring between the console control and the motor control.

Examples: Identifying Error Codes on non-digital display models:

The following LED Flashes and Beeps signal E41 (Error code 41) Door Open

	COUNT>>>>>>	1	2	3	4	5	6	7	8	9	A	B	C	D	E	F
1st Code Digit	5 Vertical LED Flashes	X	X	X	X											
2nd Code Digit	Start LED Flashes	X														

The following LED Flashes and Beeps signal E14 (Error code 14) Reed Switch

	COUNT>>>>>>	1	2	3	4	5	6	7	8	9	A	B	C	D	E	F
1st Code Digit	5 Vertical LED Flashes	X														
2nd Code Digit	Start LED Flashes	X	X	X	X											

The following LED Flashes and Beeps signal EF1 (Error code F1) Clogged Pump

		1	2	3	4	5	6	7	8	9	10	11	12	13	14	15
	COUNT>>>>>>															
1st Code Digit	5 Vertical LED Flashes	X	X	X	X	X	X	X	X	X	X	X	X	X	X	X
2nd Code Digit	Start LED Flashes	X														

Diagnostic Test:

The diagnostic test is performed by using the Program Knob. To START THE TEST:

- On non-digital display models, turn the **Program Knob** to start position, **Drain/Spin**.
- On digital display models, turn the **Program Knob** to start position, **Touch Up**. (**NOTE:** If the model has a timer dial that can be rotated 360°, turn the **Program Knob** to start position, **Drain/Spin**.)
- Press **Pause Cancel** to turn off LEDs.
- Within 5 seconds, press and hold the **Option** and **Pause Cancel** buttons until LEDs start sequentially chasing, then release buttons.

1. All the LEDs will sequentially light. Pressing a button below a light cluster will light all the LEDs in that cluster at one time to confirm functionality.
2. Turn the program knob (1) click clockwise from the start position. The hot water solenoid will activate and hot water should enter through the detergent compartment.
3. Turn the program knob (2) clicks from the start position. The bleach water solenoid will activate and cold water should enter through the bleach compartment.
4. Turn the program knob (3) clicks from the start position. The bleach and the wash water solenoids will activate and cold water should enter through the softener compartment.
5. Turn the program knob (4) clicks from the start position. The door lock solenoid will activate.
6. Turn the program knob (5) clicks from the start position. The door lock solenoid will deactivate and the loading door can be opened.
7. Turn the program knob (6) clicks from the start position. The washer will fill and tumble.
8. Turn the program knob (7) clicks from the start position. The washer will fill and spin (leakage test).
9. Turn the program knob (8) clicks from the start position. The drain pump and door lock solenoid will activate and the washer will operate in high spin. **SAFETY WARNING:** If power is removed during this test, the door can be opened. To prevent injury, DO NOT put your hands inside when the tub is rotating.
10. Turn the program knob (9) clicks from the start position. The control will signal the last error code.

Exiting Diagnostic Mode

There are two options for exiting the Diagnostic Test mode and returning the washer to normal operation:

- a) Unplug the power cord, wait 5-8 seconds, then reconnect the power cord **OR**
- b) Turn the program knob clockwise 2 or 3 clicks after the Start Position. Press **Options** and **Pause Cancel** buttons together for a few seconds until wash cycle LEDs appear.

If a situation arises where you cannot exit the Diagnostic mode as described above and the bank of 5 LED's on the right end remain ON regardless of Program Knob position, a combination of pushed buttons may have caused the control to enter a special factory test mode. Disconnect power to reset the control to return washer to normal operation is this occurs.

To clear latest stored error code:

Place the control into Diagnostic test Mode.

- Turn the program knob clockwise 9 clicks from the Start Position. The control will signal the last error code.
- Press and hold the **Options** and **Pause Cancel** buttons for 3 seconds. The code will be cleared.
- Exit Diagnostic Mode to return the washer to normal operation.

Error code chart

Error code	Fault condition	Check
E11	Fill time too long.	Refer to test (1).
E13	Water leak in tub or air leak in air bell.	Refer to test (2).
E14	Reed switch.	Refer to test (3).
E21	Water not pumping out fast enough.	Refer to test (4).
E23	Drain pump relay on control board failed.	Replace control board.
E24	Drain pump relay on control board failed.	Replace control board.
E31	Better models. Pressure sensor not communicating with control board.	Refer to test (5).
E35	Better models. Pressure sensor indicates water overfill.	Refer to test (6).
E41	Control board thinks the door switch is open.	Refer to test (7).
E42	Door remains locked after cycle is completed.	Refer to test (8).
E43	Control board problem.	Replace the control board.
E44	Control board problem.	Replace the control board.
E45	Control board problem.	Replace the control board.
E46	Control board problem.	Replace the control board.
E47	Board thinks the door PTC circuit is open in spin.	Refer to test (9)
E48	Board thinks the door PTC circuit is closed.	Refer to test (9)
E52	Bad signal from tacho generator.	Refer to test (10)
E55	Motor overheating.	Refer to test (11)
E56	High motor current.	Refer to test (11)
E57	High current on inverter.	Refer to test (11)
E58	High current on motor phase.	Refer to test (11)
E59	No tacho signal for 3 seconds.	Refer to test (12)
E5A	High temperature on heat sink.	Replace the speed control board.
E5B	High temperature on heat sink.	Replace the speed control board.
E5C	High temperature on heat sink.	Replace the speed control board.
E5D	Communication problem.	Refer to test (13)
E5E	Communication problem.	Refer to test (13)
E5F	Communication problem.	Refer to test (13)
E67	Input voltage on microprocessor incorrect.	Replace the control board.
E75	Better models only. Water temperature sensor circuit.	Refer to test (14)
E76	Better model only. NTC temperature for the cold water valve over the limits.	Hot and cold water hoses switched.
E95	Communication error.	Replace the control board.
EB1	Incoming power frequency out of limits.	Refer to test (15)
EB2	Incoming line voltage above 130 VAC.	Check voltage at the outlet. If below 130 VAC, replace the control board.
EB3	Incoming line voltage below 90 VAC.	Check voltage at the outlet. If above 90 VAC, replace the control board.
EF1	Clogged drain pump.	Unclog the drain pump.
EF2	To much soap.	Advise customer to reduce the amount of soap they are using.

Test		
Test	Check	Correction
Test 1:	1. Is the incoming water flow normal?	Yes. Go to step (4). No. Go to step (2)
	2. Are the incoming water faucets turned	No. Turn water faucets on. Yes. Go to step (3).
	3. Is the incoming water pressure above (30) psi.	No. Have customer correct pressure problem. Yes. Check for kinked or blocked incoming water hoses, clean the incoming water screens. If problem still remains, replace the water inlet valve assembly.
	4. Does the fill water continue enter the washer?	Yes. Go to step (5). No. Go to step (6)
	5. Remove power from the washer. Did the water fill stop?	Yes. Go to step (6) No. Replace the inlet valve assembly.
	6. Good models, check the pressure switch.	Pressure switch checks good. Go to step (8). Pressure switch checks bad. Replace pressure switch.
	7. Better models, replace the pressure sensor.	If this did not correct the problem, go to step 8.
	8. Replace the control board.	
Test 2:	1. Is the washer leaking water?	Yes. Correct water leak. No. Go to step (2)
	2. Is there an air leak in the air bell system?	Yes. Correct the air leak problem. No. Go to step (3-4)
	3. Good models, check the pressure switch.	Defective. Replace the pressure switch. Good. Go to step (5)
	4. Better models, replace the pressure sensor.	If this did not correct the problem, go to step 5.
	5. Replace the control board.	
Test 3:	1. Is the dispenser drawer closed?	No. Close the drawer. Yes. Go to step (2).
	2. Remove the drawer and check the magnet.	Magnet missing or defective. Replace the magnet. Magnet good. Go to step (3).
	3. Open the console and check the reed switch.	Defective. Replace the reed switch. Good. Replace the control board.
Test 4:	1. Check the drain hose for restrictions.	Restriction. Correct problem. No restriction. Go to step (2).
	2. Start the washer and check for 120 VAC at the drain pump.	Zero. Replace the control board. 120 VAC. Remove the pump and check for blockage. If blocked, remove the restriction, if not, replace the pump.
Test 5:	Inspect the wiring between the pressure sensor and the control board.	Defective wiring. Correct wiring. Good wiring. Replace the pressure sensor. If this does not correct the problem, replace the control board.

Test		
Test	Check	Correction
Test 6:	1. Is the water level above 4.5 inches?	Yes. Go to step (2). No. Go to step (4).
	2. Does water enter the washer continuously.	Yes. Go to step (3). No. Replace the control board.
	3. Remove power from washer. Does the water stop coming in?	No. Replace water valve assembly. Yes. Check wiring to valve assembly for shorts. If wiring is good, replace the control board.
	4. Replace the pressure sensor switch. Did this correct the problem?	Yes. Problem solved. No. Replace the control board.
Test 7:	1. Is the loading door closed?	No. Close the door. Yes. Go the step (2).
	2. Disconnect the plug from J2 on the control board and check for continuity between the pins in the plug.	Open. Check the door strike. If good, replace the door switch assembly. Closed. Replace the control board.
Test 8:	1. Remove power from the washer. Wait one minute. Can you open the door?	Yes. Replace the control board. No. Replace the door switch assembly. Note: You may have to break the door strike to do this.
Test 9:	1. Remove the door lock assembly and measure the resistance of the PTC.	Shorted or open. Defective door lock assembly. Reads around 1500 Ohms. Defective control board.
Test 10:	1. Disconnect the plug from the drive motor and measure the resistance pins 4 & 5 in the motor.	If the reading is between 105 & 130 Ohms, replace the speed control board. If the meter reads other than between 105 & 130 Ohms, replace the motor.
Test 11:	1. Remove the belt from the motor and spin the motor pulley. Does the motor spin free?	No. Replace the motor. Yes. Go to step (3)
	2. Spin the tub pulley. Does the tub spin free?	No. Check the tub bearings. Yes. Go to step (3)
	3. Disconnect the plug from the motor and measure the resistance of the windings (pin 1 to pin 2, pin 1 to pin 3, pin 2 to pin 3). All readings should be between 4 and 6 Ohms.	If the readings are correct, replace the speed control board. If the readings are incorrect, replace the motor.
Test 12:	1. Remove the belt from the motor and spin the motor pulley. Does the motor spin free?	No. Replace the motor. Yes. Go to step (3)
	2. Spin the tub pulley. Does the tub spin free?	No. Check the tub bearings. Yes. Go to step (3)
	3. Disconnect the plug from the drive motor and measure the resistance between pins 4 & 5 in the motor.	If the meter reads other than between 105 & 130 Ohms, replace the motor. If the reading is between 105 & 130 Ohms, Go to step (4)
	4. Disconnect the plug from the motor and measure the resistance of the windings (pin 1 to pin 2, pin 1 to pin 3, pin 2 to pin 3). All readings should be between 4 and 6 Ohms.	If the readings are correct, replace the speed control board. If the readings are incorrect, replace the motor.
Test 13:	1. Communication problem. Check the wiring between the control board and the speed control board.	Wiring bad. Correct wiring problem. Wiring good. Replace the control board. If the problem is not corrected, replace the speed control board.
Test 14:	1. Check the resistance of the NTC. Is it around 50K ohms?	No. Replace the water inlet valve assembly Yes. Replace the control board.
Test 15:	1. Have the power company check the frequency of the incoming power. If correct, replace the control board.	

Fiche technique De Technologie De Laveuse

Cette information est prévue pour les techniciens qualifiés seulement.

ATTENTION: DÉBRANCHEZ LE COURANT ÉLECTRIQUE AVANT L'ENTRETIEN

Veuillez renvoyer cette feuille à son enveloppe dans le produit pour la future référence

Les commandes électroniques des 3.0 laveuse horizontales d'axe de pi3 ont des codes de diagnostic d'individu construites dans cette couverture la plupart des échecs du produit de produits.

Différences modèles:

- De meilleurs modèles ont un
- numérique d'affichage d'afficheur que les bons modèles n'ont pas un affichage numérique d'afficheur

Dans les **Modèles Meilleurs** rayez, les codes d'échec apparaîtra dans l'affichage comme E suivi de deux nombres, un nombre et une lettre ou deux lettres. La commande fera bip-bip et la serrure de porte, laver, rincer, les voyants de signalisation finale de rotation et de commande clignoteront. Exemple: E14. Pour arrêter le clignotant et faire bip-bip, le client peut toucher le bouton d'annulation de pause. Les restes de code d'erreur stockés dans la commande mais une fois que le problème est corrigé, lui n'effectuent pas l'opération de la rondelle. Si l'échec est quelque chose que le client peut corriger (comme les robinets de l'eau étant éteints), la laveuse fonctionnera normalement la prochaine fois qu'elle est commencée.

Dans les **Bons Modèles** rayez, les signaux de commande le code d'échec par clignotant les cinq voyants de signalisation de la serrure de porte, lavage, rinçage, rotation et commande finale pour le premier nombre ou lettre après le E et le voyant de signalisation de début pour le deuxième nombre ou lettre après le E. Quand un échec se produit, la laveuse s'arrête ou des pauses et les signaux sonores de commande et clignote les cinq voyants de signalisation pour dire au client qu'un échec s'est produit. Pour arrêter le clignotant et faire bip-bip, le client peut toucher le bouton d'annulation de pause. Les restes de code d'erreur stockés dans la commande mais une fois que le problème est corrigé, lui n'effectuent pas l'opération de la laveuse. Si l'échec est quelque chose que le client peut corriger (comme les robinets de l'eau étant éteints), la laveuse fonctionnera normalement la prochaine fois qu'elle est commencée.

Pour rappeler un code d'erreur,

- Réveillez la machine en appuyant sur n'importe quel bouton.
- Attente 5 secondes
- Serrez et tenez le début et faites une pause des boutons d'annulation simultanément
- Aoutes les LED ira blanc et après que quelques secondes la commande signale le code stocké en utilisant les signaux sonores et le clignotement audibles LED. La commande signalera à plusieurs reprises le code, aussi longtemps que les boutons d'annulation de début et de pause sont pause de pressed.

A deux la seconde entre les répétitions vous a les moyens la capacité de réaliser des comptages précis pour identifier les codes d'erreur corrects.

Veuillez noter le suivant..... sur un nombre restreint de laveuse avec le préfixe XC4 de numéro de série, si le procédé précédent n'exécute pas comme indiqué, suivent l'option ci-dessous :

- Suivez toutes les étapes précédentes mais au lieu du début de pression et faites une pause des boutons d'annulation, des options de pression et de prise et des boutons d'annulation de pause.

Si la laveuse est un **Meilleur Modèle**, le code d'erreur apparaîtra dans l'affichage. Dépannez le problème en employant des diagrammes aux pages suivantes.

Si la laveuse est un **Bon Modèle**, les cinq voyants de signalisation de la porte ferment, lavent à clef, rincent, la rotation et la commande finales clignoteront le nombre de fois pour le premier chiffre du code et le voyant de signalisation de début clignotera le nombre de fois pour le deuxième chiffre. Les comptes séparés de prise de chaque voyant de signalisation, répètent alors pour confirmer afin d'être précis en identifiant le code d'erreur approprié. Le code est obtenu en comptant le nombre de fois le flash de lumières. Exemple E24 : Les cinq voyants de signalisation clignoteraient deux fois indiquants que les 2 et le voyant de signalisation de DÉBUT clignoteront quatre fois indiquant les 4. Les cinq voyants de signalisation et le voyant de signalisation de DÉBUT commencent à clignoter en même temps.

La commande fera une pause pendant 2 en second lieu, répéter alors le code aussi longtemps que les deux boutons sont appuyés sur et tenus.

La lettre de la note : **A** apparaissant dans le code représente un nombre plus haut que nine:

A = 10 B = 11 C = 12 D = 13 E = 14 F = 15

Code F1 D'Exemple : le premier chiffre serait 15 et le deuxième chiffre serait 1. Si ce code apparaîtrait sur une laveuse dans la bonne ligne modèle, les cinq voyants de signalisation clignoteraient quinze fois et le voyant de signalisation de DÉBUT clignoterait par le passé. Dépannez le problème en employant des diagrammes aux pages suivantes.

Contrôle Rapide

S'il n'y a aucune erreur montrée et la laveuse commence momentanément alors des tours pour dégager :

1. détectent à l'oreille une fermeture de relais à l'intérieur de la commande de moteur peu de temps après la clef de DÉBUT est serrée. Si ceci se produit, la commande de moteur a le de puissance.
2. Vérifiez 5 câblage de connecteur à broches entre la commande de console et la commande de moteur.

Exemples : L'identification des codes d'erreur sur l'affichage non-numérique modèle :

Porte du signal suivant E41 (code d'erreur 41) d'instantané et de signaux sonores de LED ouverte

	COMPTE >>>>>	1	2	3	4	5	6	7	8	9	A	B	C	D	E	F
1er Codez Le Chiffre	5 Flashes Verticaux de LED	X	X	X	X											
2ème Codez Le Chiffre	Commencez Les Flashes de LED	X														

Les flashes suivants et les signaux sonores de LED signalent (code d'erreur 14) le commutateur E14 tubulaire

	COMPTE >>>>>	1	2	3	4	5	6	7	8	9	A	B	C	D	E	F
1er Codez Le Chiffre	5 Flashes Verticaux de LED	X														
2ème Codez Le Chiffre	Commencez Les Flashes de LED	X	X	X	X											

Les flashes suivants et les signaux sonores de LED signalent (code d'erreur F1) la pompe EF1 obstruée

	COMPTE >>>>>	1	2	3	4	5	6	7	8	9	A	B	C	D	E	F
1er Codez Le Chiffre	5 Flashes Verticaux de LED	X	X	X	X	X	X	X	X	X	X	X	X	X	X	X
2ème Codez Le Chiffre	Commencez Les Flashes de LED	X														

Test de Diagnostic :

Le test de diagnostic est exécuté en employant le bouton de programme. Pour COMMENCER L'ESSAI :

- Sur les modèles non-numériques d'affichage, tournez le bouton de programme à la position de début, Vidange/Essorage.
- Sur des modèles d'affichage numérique, tournent le bouton de programme à la position de début, contact vers le haut (NOTE : Si le modèle a un temporisateur que le cadran au lequel peut être 360° tourné, tourner le bouton de programme à la position de début Vidange/Essorage.
- Serrez l'annulation de pause pour arrêter des LEDs.
- Dans 5 secondes, serrent et tiennent l'option et font une pause les boutons d'annulation jusqu'à ce que les LED commencent à chasser séquentiellement, libèrent alors des boutons.
 1. All que les LED s'allumeront séquentiellement. Appuyer sur un bouton au-dessous d'un faisceau léger allumera toutes les LED du fait faisceau en même temps pour confirmer fonctionnalité.
 2. Turn le clic du bouton de programme (1) dans le sens des aiguilles d'une montre dès le début la position. Le solénoïde d'eau chaude activera et l'eau chaude devrait entrer par le compartiment.
 3. Turn détersif que le bouton de programme (2) clique dès le début la position. Le solénoïde de l'eau d'agent de blanchiment activera et l'eau froide devrait entrer par l'agent de blanchiment compartiment.
 4. Turn que le bouton de programme (3) clique dès le début la position. L'agent de blanchiment et les solénoïdes d'eau de lavage activeront et l'eau froide devrait entrer par le compartiment de ramollissant.
 5. Turn que le bouton de programme (4) clique dès le début la position. Le solénoïde de serrure de porte activera.
 6. Turn que le bouton de programme (5) clique dès le début la position. Le solénoïde de serrure de porte mettra hors tension et la porte de chargement peut être opened.
 7. Turn que le bouton de programme (6) clique dès le début la position. La laveuse remplira et dégringolera.
 8. Turn que le bouton de programme (7) clique dès le début la position. La laveuse remplira et tournera (test fuite).
 9. Turn que les clics du bouton de programme (8) dès le début placent. Le solénoïde de pompe de drain et de serrure de porte activera et la laveuse fonctionnera dans la rotation élevée. AVERTISSEMENT DE SÛRETÉ : Si la puissance est coupée pendant cet essai, la porte peut être ouverte. Pour empêcher des dommages, ne mettez pas votre intérieur de mains quand le baquet est tourner.
 10. Turn que le bouton de programme (9) clique dès le début la position. La commande signalera le dernier code d'erreur.

Annuler Le Mode Diagnostique

Il y a deux options pour annuler le mode de test de diagnostique et ramener la laveuse l'opération en fonctionnement normal :

- a) Débranchez le cordon de secteur, attendez 5-8 secondes, puis rebranchez le cordon de secteur, **ou**
- b) Tournez les clics du bouton dans le sens des aiguilles d'une montre 2 ou 3 de programme après la position de début. Serrez les options et faites une pause des boutons d'annulation ensemble pendant quelques secondes jusqu'à ce que le cycle LED de lavage apparaissent.

Si une situation surgit où vous ne pouvez pas annuler le mode diagnostique comme décrit ci-dessus et la banque de 5 que la LED's sur la bonne extrémité restent DESSUS indépendamment de la position de bouton de programme, une combinaison des boutons poussés a pu avoir fait entrer la commande un mode spécial d'essai d'usine. La puissance de débranchement de remettre à zéro la commande à la laveuse de retour à l'opération normale est ceci se produit.

Au code d'erreur le plus tard stocké d'espace libre :

Placez la commande dans le tour de Test de Diagnostique.

- Tarmer le bouton de programme dans le sens des aiguilles d'une montre que 9 clics dès le début placent. Le contrôle indiquer la ferme de code d'erreur.
- Pression et tiendra les boutons d'annulation d'options et de pause pendant 3 secondes. Le code sera a dégagé.
- Le mode diagnostique de sortie de pour ramener la laveuse l'opération en fonctionnement normale.

Le tableau de code d'erreur.

Code d'Erreur	Condition de panne	Vérifier
E11	Remplissez temps trop long.	Référez-vous à l'essai (1).
E13	Arrosez la fuite en baquet ou fuite d'air dans la cloche d'air.	Référez-vous à l'essai (2).
E14	Commutateur tubulaire.	Référez-vous à l'essai (3).
E21	Arrosez le pompage hors assez de rapide.	Référez-vous à l'essai (4).
E23	Vidangez le relais de pompe sur le tableau de commande échouent.	Remplacez le tableau de commande.
E24	Vidangez le relais de pompe sur le tableau de commande échouent.	Remplacez le tableau de commande.
E31	De meilleurs modèles. Sonde de pression ne communiquant pas avec le tableau de commande.	Référez-vous à l'essai (5).
E35	De meilleurs modèles. La sonde de pression indique que l'eau remplissent au-dessus du niveau.	Référez-vous à l'essai (6).
E41	Le tableau de commande pense que le commutateur de porte est ouvert.	Référez-vous à l'essai (7).
E42	Des restes de porte fermés à clef après cycle sont accomplis.	Référez-vous à l'essai (8).
E43	Problème de tableau de commande.	Remplacez le tableau de commande.
E44	Problème de tableau de commande.	Remplacez le tableau de commande.
E45	Problème de tableau de commande.	Remplacez le tableau de commande.
E46	Problème de tableau de commande.	Remplacez le tableau de commande.
E47	Le conseil pense que le circuit de la porte ptc est ouvert dans la rotation.	Référez-vous à l'essai (9)
E48	Le conseil pense que le circuit de la porte ptc est fermé.	Référez-vous à l'essai (9)
E52	Mauvais signal de générateur de tachy.	Référez-vous à l'essai (10)
E55	Échauffer d'moteur.	Référez-vous à l'essai (11)
E56	Le courant d'moteur de haute.	Référez-vous à l'essai (courant 11)
E57	Le courant d'inverter de haute.	Référez-vous à l'essai (courant 11)
E58	Le stade d'moteur extrême.	Référez-vous à l'essai (signal de tachy 11)
E59	No signal detacho pour 3 secondes	Référez-vous à l'essai (la température 12)
E5A	Température extrême pour le fonce de chaleur.	Remplacez le tableau de commande de vitesse.
E5B	Température extrême pour le fonce de chaleur.	Remplacez le tableau de commande de vitesse.
E5C	Température extrême pour le fonce de chaleur.	Remplacez le tableau de commande de vitesse.
E5D	Problème de communication.	Référez-vous à l'essai (13)
E5E	Problème de communication.	Référez-vous à l'essai (13)
E5F	Problème de communication.	Référez-vous à l'essai (tension 13)
E67	Input sur microprocesseur ne correct pas.	Remplacez le tableau de commande.
E75	Un meilleur modèle seulement. Sonde circuit de température de l'eau.	Référez-vous à l'essai (14)
E76	Un meilleur modèle seulement. La température de NTC pour la valve d'eau froide au-dessus des limites.	Les tuyaux d'eau chaude et froide ont commuté.
E95	Erreur de communication.	Remplacez la fréquence de puissance le tableau de commande.
EB1	Hors de limits d'entrant.	Référez-vous à l'essai (15)
EB2	Le secteur au-dessus de la tension d'entrée de 130 VCA.	Arrête à la sortie. Si en-dessous de 130 VCA, remplacez tension secteur le tableau de commande
EB3	Incoming en-dessous de la tension de 90 VCA.	Arrête à la sortie. Si au-dessus de 90 VCA, remplacez le tableau de commande
EF1	Pompe branchée de drain.	Débranchez la pompe de drain.
EF2	À beaucoup de savon.	Conseillez le client de réduire la quantité de savon qu'ils utilisent.

Test		
Test	Vérifier	Correction
Test 1:	1. L'écoulement entrant de l'eau est-il normal ?	Oui. Allez faire un pas (4). No. passent à l'étape (2).
	2. Sont les robinets entrants de l'eau tournés.	Non. Tournez les robinets on de l'eau. Passez à l'étape (3).
	3. Est-ce que la pression entrante de l'eau au-dessus (30) de psi.	Non. Ayez la pression correcte le problème. Yes de client. Vérifiez noué ou les tuyaux entrants bloqués de l'eau, nettoient les écrans entrants de l'eau. Si le problème demeure toujours, remplacez l'ensemble de soupape d'admission de l'eau.
	4. Does est-elle l'eau de suffisance continuent-elles. entrent dans la laveuse ?	Oui. Allez faire un pas (5). No. passent à l'étape (6).
	5. Coupez la puissance de la laveuse. L'eau a-t-elle cessé de remplir?	Oui. Allez faire un pas (6). No. remplacent l'ensemble de soupape d'admission
	6. Les bons modèles, vérifient le mano-contact.	Le mano-contact vérifie good.Go pour faire un pas (le commutateur 8). Le mano-contact vérifie le mauvais. Remplacez le mano-contact.
	7. Améliorez les modèles, remplacez la sonde de pression.	If ceci n'a pas corrigé le problème, passent à l'étape 8.
	8. Remplacez le tableau de commande.	
Test 2:	1. La laveuse l'eau est-elle disjointe ?	Oui. Corrigez la fuite l'eau. No. Passez à l'étape (2).
	2. Y a-t-il une fuite d'air dans le système de cloche d'air ?	Oui. Corrigez la fuite d'air le problème. No. Allez faire un pas (3-4).
	3. Les bons modèles, vérifient le mano-contact	Défectueux. Remplacez la pression switch. Bon. Allez faire un pas (5)
	4. Améliorez les modèles, remplacez la sonde de pression	If ceci n'a pas corrigé le problème, ne va pas le Allez faire un pas (5).
	5. Remplacez le tableau de commande	
Test 3:	1. Le tiroir de distributeur est-il fermé ?	Non. Clôturez le drawer. Oui. Passez à l'étape (2).
	2. Enlevez le tiroir et vérifiez l'aimant	Disparus d'aimant ou défectueux. Remplacez le aimant. Aimant bon. Passez à l'étape (3).
	3. Ouvrez la console et vérifiez le commutateur tubulaire.	Défectueux. Remplacez le roseau switch. Bon. Remplacez le tableau de commande.
Test 4:	1. Examinez la tuyauterie souple de vidange pour assurer les restrictions.	Restriction. Correcte de problème. Restriction No. Passez à l'étape (2).
	2. Commencez la laveuse et examinez pour assurer 120 VCA au vidangez la pompe.	Zéro. Remplacez le tableau de commande. 120 VCA. Enlevez la pompe et vérifiez le colmatage. Si bloqué, enlevez la restriction, si pas, remplacent la pompe.
Test 5:	Inspect le câblage entre le tableau de commande et de sonde de pression.	Câblage défectueux. Câblage corriger. Câblage bon. Remplacez la sonde de pression. Si ceci ne corrige pas le problème, remplacez le tableau de commande.

Test		
Test	Check	Correction
Test 6:	1. Is le niveau d'eau au-dessus de 4.5 pounces?	Oui. Passez à l'étape (2). Non. Passez à l'étape (4).
	2. Arrosee entrent dans la laveuse continuellement	Oui. Passez à l'étape (3). Non. Remplacez le tableau de commande ;
	3. Coupez la puissance de la laveuse. Fait l'arrêt prochain in de l'eau?	Non. Remplacez le tube équipé de clapet de l'eau. Oui. Examinez le câblage au tube équipé de clapet pour assurer les shorts. Si le câblage est bon, remplacez le tableau de commande.
	4. Remplacez le commutateur de sonde de pression. Est-ce que ceci a corrigé le problème ?	Oui. Problème résolu. Non. Remplacez le tableau de commande.
Test 7:	1. Est la porte de chargement fermé?	Non. Fermez la porte. Oui. Disparaissent étape (2).
	2. Deconnecter la prise de J2 sur le tableau de commande et vérifiez la continuité entre les goupilles dans le plug.	Ouvert. Vérifiez la grève de porte. Si bon, remplacez l'ensemble de commutateur de porte. Fermé. Remplacez la commande board.
Test 8:	1. Coupez la puissance de la rondelle. Attendez une minute. Pouvez vous ouvert le porte?	Oui. Remplacez le tableau de commande. Non. Remplacez le commutateur assemblée. Note de porte : Vous pouvez devoir casser la grève de porte pour faire ceci .
Test 9:	1. Enlevez le bloc de verrou de porte et mesurez la résistance du PTC.	Court-circuité ou ouvrez-vous. Bloc de verrou défectueux de porte Lit autour 1500 ohms. Tableau de commande défectueux.
Test 10:	1. Deconnecter la prise du moteur d'entraînement et mesurez les bornes 4 et 5 de résistance dans le motor.	Si la lecture est entre 105 et 130 ohms, remplacez le tableau de commande de vitesse . Si le mètre indique autre qu'entre 105 et 130 ohms, remplacez le moteur.
Test 11:	1. Enlever la ceinture du moteur et tournez la poulie de moteur. Fait la rotation free?	Non. Remplacez le moteur. Oui. Passez à l'étape (3).
	2. Tournez la poulie de baquet. Le baquet tourne-t-il librement ? ;	Non. Vérifiez les roulements de baquet. Oui. Passez à l'étape (3).
	3. Deconnecter la prise du moteur et mesurez la résistance des enroulements (borne 1 à borne 2, borne 1 à borne 3, borne 2 à borne 3). Toutes les lectures devraient être entre 4 et 6 Ohms.	Si les lectures sont correctes, remplacez le tableau de commande de vitesse. Si les lectures sont incorrectes, remplacez le moteur.
Test 12:	1. Enlever la ceinture du moteur et tourner la poulie de moteur. Le moteur tourne-t-il librement ? ;	Non. Remplacez le moteur. Oui. Passez à l'étape (3).
	2. Tournez la poulie de baquet. Le baquet tourne-t-il librement ? ;	Non. Vérifiez les roulements de baquet. Oui. Passez à l'étape (3).
	3. Deconnecter la prise du moteur d'entraînement et mesurent la résistance entre les bornes 4 et 5 dans le moteur.	Si le mètre indique autre qu'entre 105 et 130 ohms, remplacez le moteur ; Si la lecture est entre 105 et 130 ohms, passez à l'étape (4).
	4. Deconnecter la prise du moteur et mesurez la résistance des enroulements (borne 1 à borne 2, borne 1 à borne 3, borne 2 à borne 3). Toutes les lectures devraient être le problème entre 4 et 6 Ohms.	Si les lectures sont correctes, remplacez le tableau de commande de vitesse. Si les lectures sont incorrectes, remplacez le moteur.
Test 13:	1. Problème de communication. Vérifiez le câblage entre le tableau de commande et le tableau de commande de vitesse	Câblage du mauvais. Problème correct de câblage. Câblage bon. Remplacez le tableau de commande. Si le problème n'est pas corrigé, remplacez le tableau de commande de vitesse.
Test 14:	1. Vérifiez la résistance du NTC. Est il autour de 50K ohms?	Non. Remplacez l'ensemble de soupape d'admission de l'eau.
Test 15:	1. Faites vérifier à la compagnie de puissance la fréquence de la puissance entrante. Si correct, remplacez le tableau de commande.	Oui. Remplacez le tableau de commande.

⚠ WARNING TO REDUCE THE RISK OF ELECTRICAL SHOCK DISCONNECT THIS APPLIANCE FROM THE POWER SUPPLY BEFORE ATTEMPTING ANY USER MAINTENANCE. TURNING THE CONTROLS TO THE OFF POSITION DOES NOT DISCONNECT THIS APPLIANCE FROM THE POWER SUPPLY.

⚠ AVERTISSEMENT POUR RÉDUIRE LE RISQUE DE CHOC ÉLECTRIQUE, DÉBRANCHER CET APPAREIL DE L'ALIMENTATION AVANT DE PROCÉDER À L'ENTRETIEN. EN TOURNANT LES COMMANDES À LA POSITION ARRÊT, L'ON NE COUPE PAS L'ALIMENTATION ÉLECTRIQUE DE L'APPAREIL.

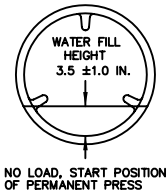
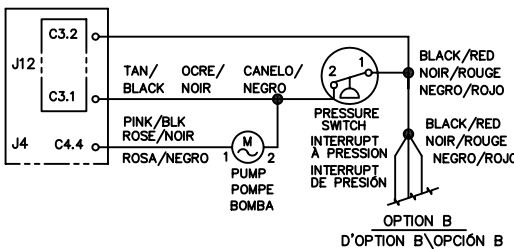
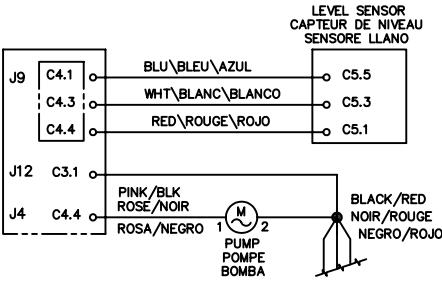
⚠ ADVERTENCIA PARA REDUCIR EL RIESGO DE CHOQUE ELÉCTRICO, DESENCHUFE ESTE APARATO DE LA ALIMENTACIÓN ELÉCTRICA ANTES DE EFECTUAR EL MANTENIMIENTO. AL GIRAR LOS CONTROLES A LA POSICIÓN OFF (APAGADO) NO SE CORTA LA ALIMENTACIÓN ELÉCTRICA AL ARTEFACTO.

COMPONENT RESISTANCE TABLE	
ELECTRICAL COMPONENT	RESISTANCE Ω ● 77°F (25°C)
DOOR LOCK SOLENOID	1325 ±10%
PUMP MOTOR	12.0 ±7%
DISPENSER VALVE SOLENOIDS	800 ±7%
MOTOR	M1 TO M2 5.3 ±7%
	M2 TO M3 5.3 ±7%
	M1 TO M3 5.3 ±7%
	M5 TO M4 118 ±7%

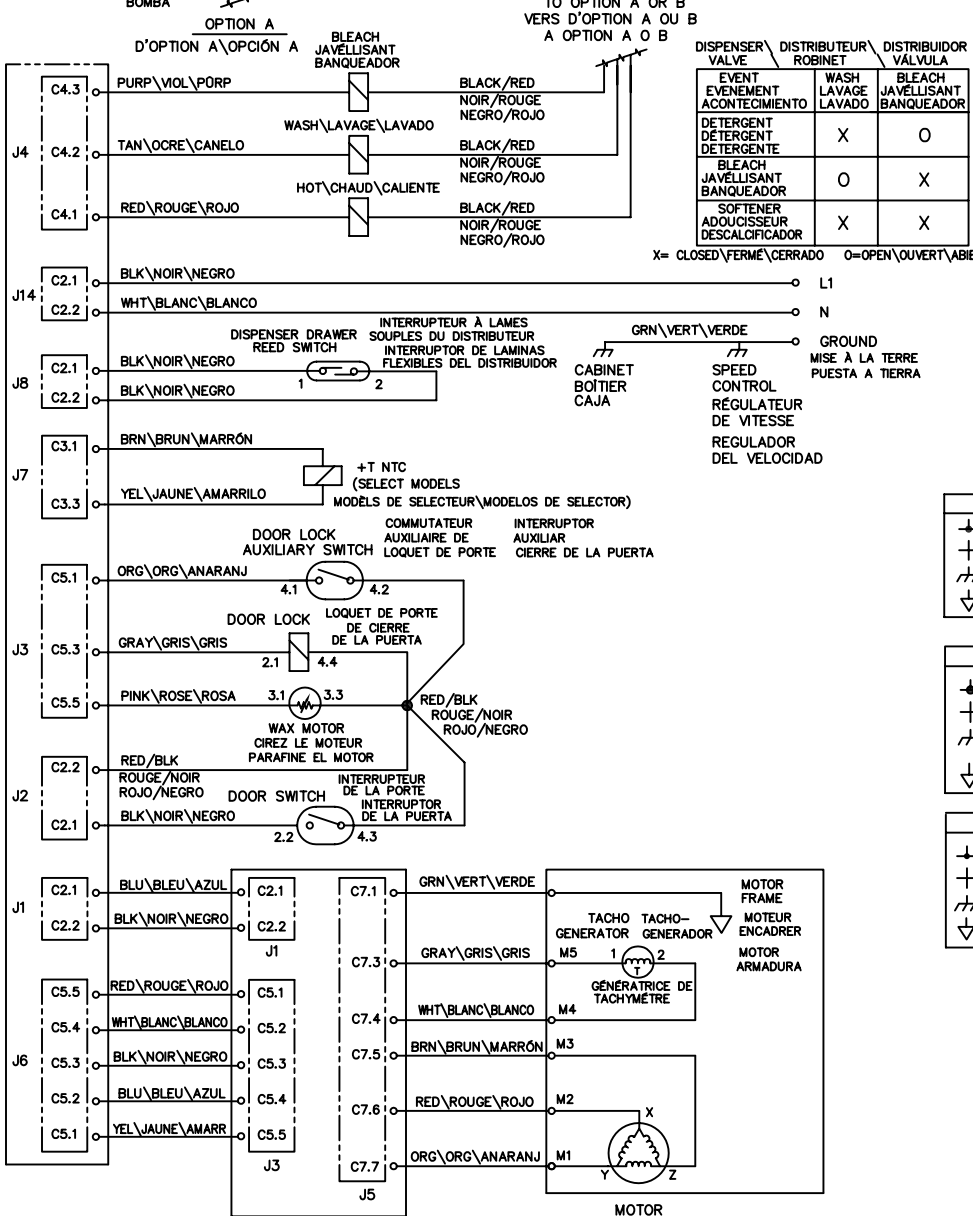
TABLEAU DE RÉSISTANCE DES COMPOSANTS	
COMPOSANT ÉLECTRIQUE	RÉSISTANCE Ω ● 77°F (25°C)
SOLÉNOÏDE DU LOQUET DE PORTE	1325 ±10%
MOTEUR DE POMPE	12.0 ±7%
SOLÉNOÏDE DU ROBINET DISTRIBUTEUR	800 ±7%
MOTEUR	M1 VERS M2 5.3 ±7%
	M2 VERS M3 5.3 ±7%
	M1 VERS M3 5.3 ±7%
	M5 VERS M4 118 ±7%

TABLA DE RESISTENCIA DE LOS COMPONENTES	
COMPONENTE ELÉCTRICO	RESISTENCIA Ω ● 77°F (25°C)
SOLENOIDE DE CIERRE DE LA PUERTA	1325 ±10%
BOMBA DE MOTOR	12.0 ±7%
SOLENOIDE DE LA VÁLVULA DEL DISTRIBUIDOR	800 ±7%
MOTOR	M1 A M2 5.3 ±7%
	M2 A M3 5.3 ±7%
	M1 A M3 5.3 ±7%
	M5 A M4 118 ±7%

SELECT MODELS\MODÈLS DE SELECTEUR\MODELOS DE SELECTOR



SIN CARGA, POSICIÓN DE ARRANQUE DEL CICLO PARA TALAS DE PLANCHADO PERMANENTE.



EVENT ÉVÉNEMENT ACONTECIMIENTO	WASH LAVAGE LAVADO	BLEACH JAVELLISANT BANQUEADOR
DETERGENT DÉTERGENT DÉTERGENTE	X	O
BLEACH JAVELLISANT BANQUEADOR	O	X
SOFTENER ADOUCCISSEUR DESCALCIFICADOR	X	X

X= CLOSED\FERME\CERRADO O=OPEN\OUVERT\ABIERTO

WIRING CODES	
+	CONNECTION
+	NO CONNECTION
⌋	CABINET GROUND
⌋	LOCAL GROUND

CODES DE CÂBLAGE	
+	CONNEXION
+	AUCUNE CONNEXION
⌋	MISE À LA TERRE DE CARROSSERIE
⌋	MISE À LA TERRE DE LOCAL

CODIGOS DEL CABLEADO	
+	CONEXIÓN
+	SIN CONEXIÓN
⌋	PUESTA A TIERRA DE CAJA
⌋	PUESTA A TIERRA DE LOCAL

MOTOR CONTROL BOARD
PANNEAU DE COMMANDE MOTEUR
PANEL DE CONTROL MOTOR

WIRING DIAGRAM PART NO.
SCHÉMA DE CÂBLAGE NO DE PIÈCE
DIAGRAMA DE CONEXIONES NO DE PIEZA

134541700