

*Frigidaire*

Factory Parts Catalog

Product No.	GLFC2027FW0
Series	Gallery
Color	white
Volts	115
Wiring Diagram	216804000
Owner's Guide	297079200
Market	North America
Energy Guide	216794407



Electrolux Major Appliances  
North & Latin America  
P.O. BOX 212378  
AUGUSTA, GA 30917

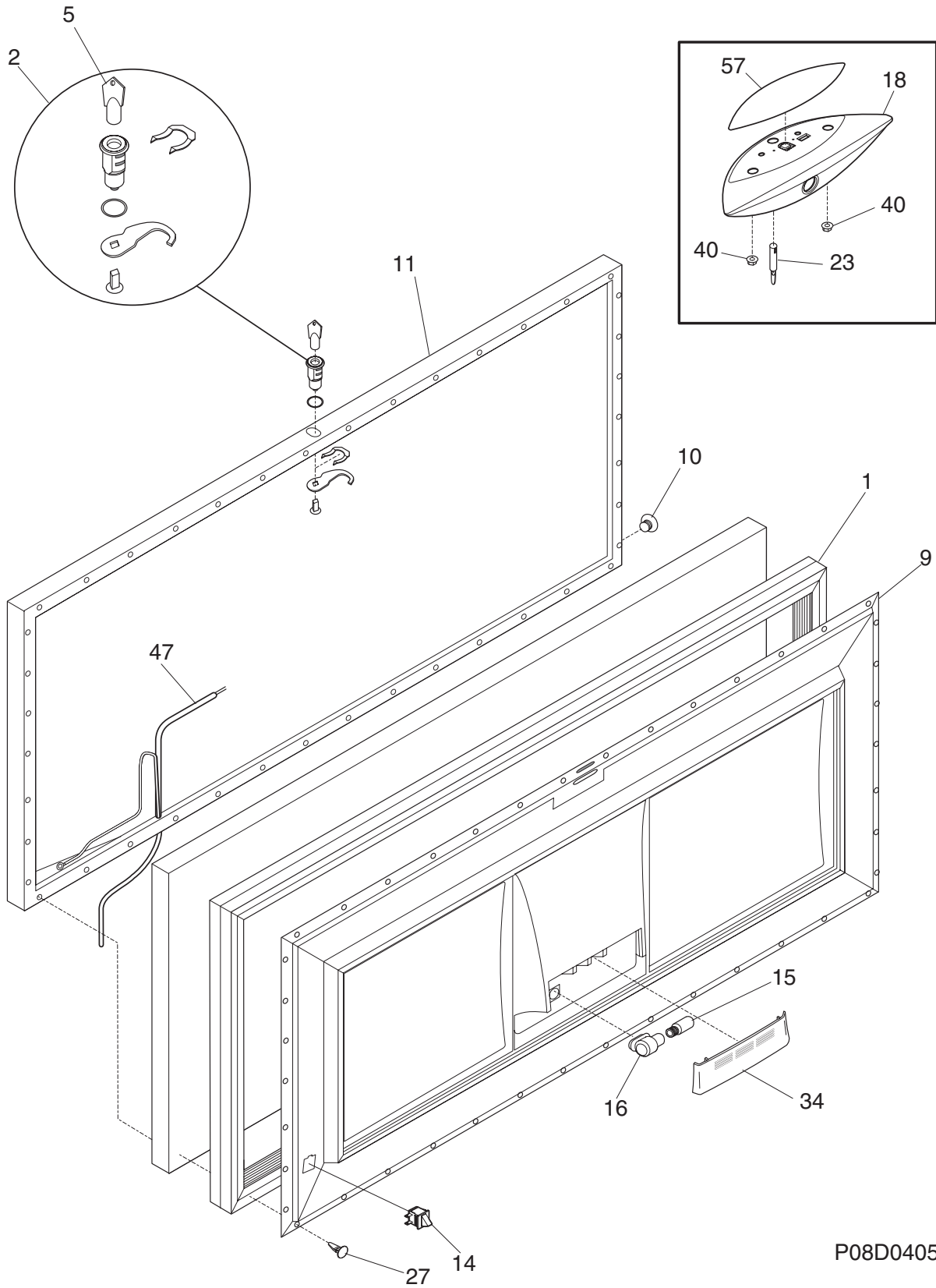
Publication No.  
**5995462875**  
06/03/07  
(EN/SERVICE/RLF)  
365

**FREEZER CHEST**

Model No.  
**GLFC2027FW**

Copyright © 2006 Electrolux Home Products, Inc.  
All rights reserved.

DOOR



P08D0405

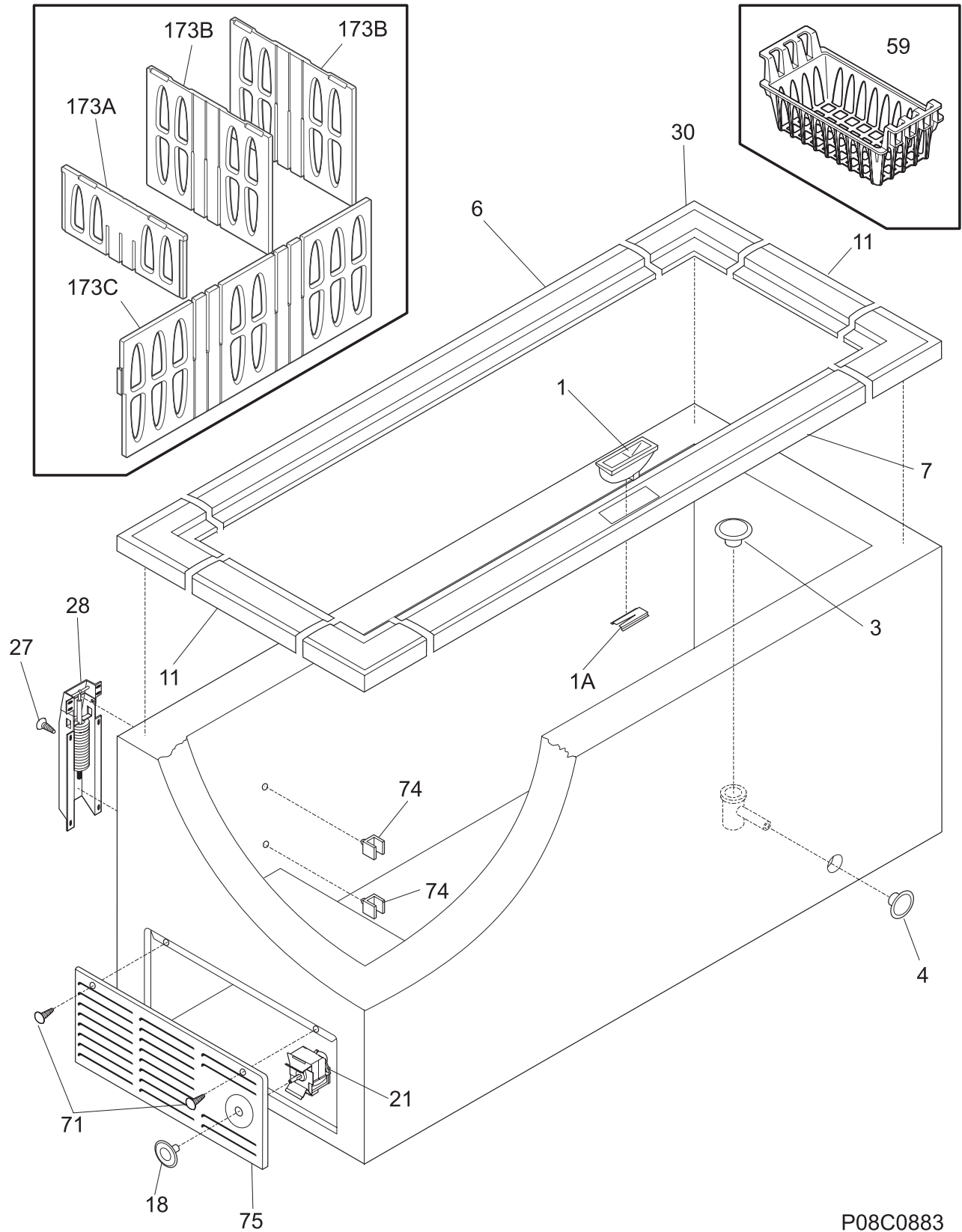
---

**DOOR**


---

POS. NO	PART NO.	DESCRIPTION
1	216481401	Gasket, lid seal, white
2	5303925107	Lock Assy
*	5300114366	Washer-sealing
5 #	216702900	Key, lock
9	216829504	Panel-inner door, frzr
10	216923001	Plug button, 1/4", white
11	216130127	Lid, white
*	216858000	Screw, TH#8-18x.500AB, #10
14	216822900	Switch, light/lamp, ramp
15	297048600	Light Bulb/Lamp, short
16	216817600	Socket, light/lamp, 25 W
18	216897600	Handle, white
23	216212700	Light-signal, amber
27	5303212828	Clip, panel mtg
27*	5304406520	Clip, panel mtg kit, (40)
34	297013900	Shield, light
40	216922700	Fastener, .330 dia stud, handle, (2)
47 #	216908000	Harness-lid
57	216899514	Overlay
*	5303917276	Insulation-door, fiberglass, (bulk)

**CABINET**

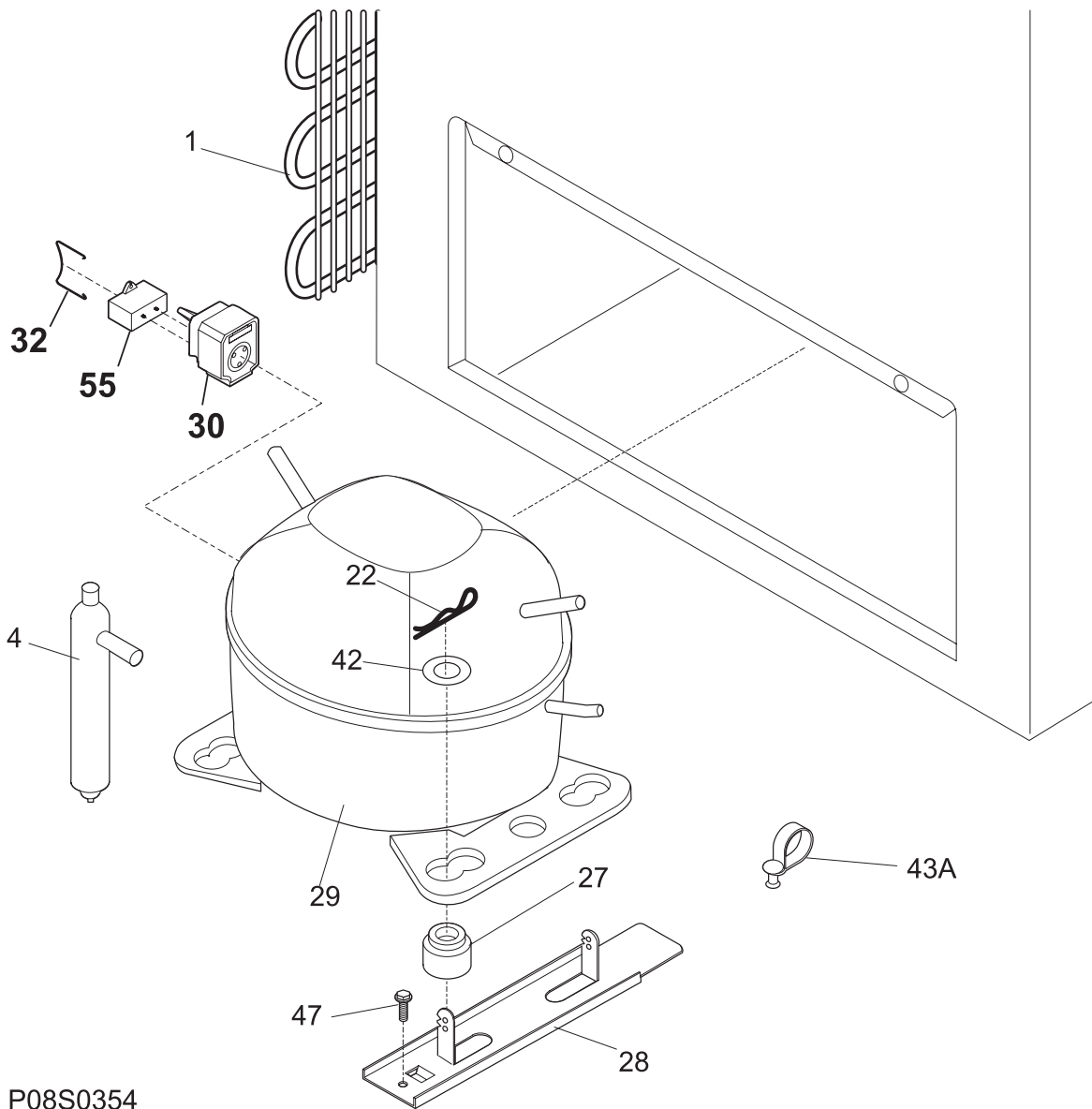
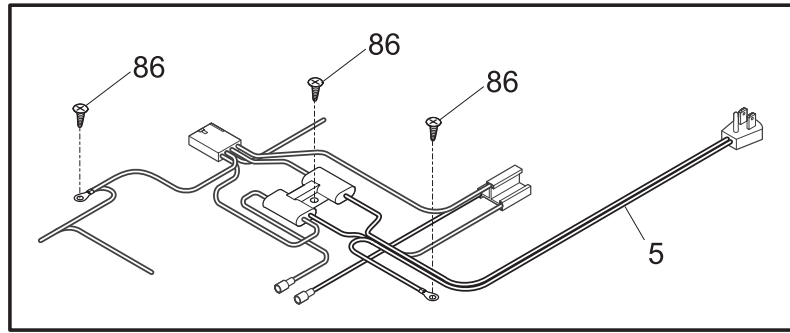


P08C0883

**CABINET**

POS. NO	PART NO.	DESCRIPTION
1	216909800	Catch-lock, white
1A	216818900	Support, lock catch clip
3	216502600	Plug, drain, interior
4	297013600	Plug, drain, exterior
6	216955513	Breaker, hinge side
7	216955512	Breaker, lock side
11	216955500	Breaker, chest end, (2)
18	216707200	Knob, temp control
21 #	216714600	Control-temperature
27	216629600	Screw, hex washer head, 10-16 x 0.500, tapping
28	216035300	Hinge
30	216110700	Breaker, corners
59	216916203	Basket, blue, (3)
71	131420300	Screw, cr truss head, 8-18AB x 0.750
74	216486700	Support, divider, (4)
75	216034301	Panel, access, white
173A	297063000	Divider, chest, step
173B	297063100	Divider, small chest, (2)
173C	297063300	Divider, chest, step
*	216794407	Energy Guide
*	5303305324	Paint, touch-up, white

**SYSTEM**



P08S0354

**SYSTEM**

---

POS. NO	PART NO.	DESCRIPTION
1 #	5303280307	Condenser
4 #	216938600	Drier-filter
5 #	216987300	Harness-main
22	216056400	Clip, compressor mtg, SPRING
27	5308002681	Grommet, compressor
28	5303212615	Support, compressor
29 #	216967000	Compressor, w/o electricals
30	216954203	Controller
32	216649100	Clamp, elec cont mtg, compressor
42	216232700	Washer, flat, 1"OD x 0.531"ID
43A	5303212614	Clip, harness mount
47	216629600	Screw, hex washer head, 10-16 x 0.500, tapping
55	218909913	Capacitor, run, 220 VAC, 15 microfarad
86	216036600	Screw, ph washer head, 8-32CA x 0.500, thread forming