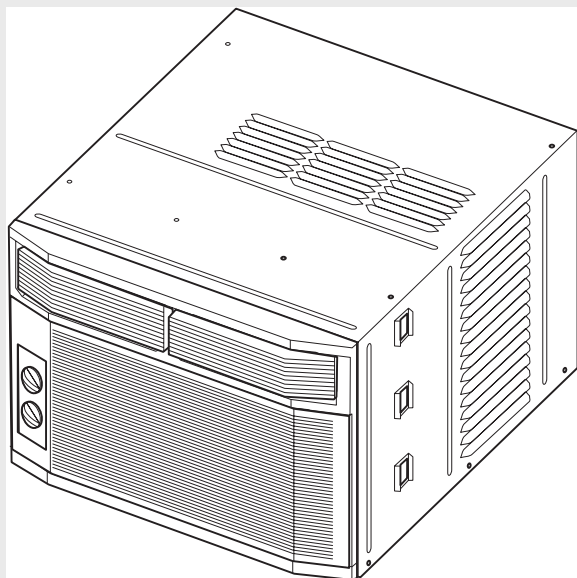


Frigidaire

Factory Parts Catalog



Product No.	FAC106P1A1	FAC106P1A2	FAC106P1A3	FAC106P1A4	FAC106P1A5	FAC106P1A6
Series	ROOM AIR	ROOM AIR	ROOM AIR	ROOM AIR	ROOM AIR	ROOM AIR
Color	white	white	white	white	white	white
Volts	115	115	115	115	115	115
BTU-Cooling	10,000BTU	10,000BTU	10,000BTU	10,000BTU	10,000BTU	10,000BTU
Owner's Guide	220201d011	220201d011	220201d011	220201d011	220201d011	220201d011
Installation Instructions	COMINSTALLEN	COMINSTALLEN	COMINSTALLEN	COMINSTALLEN	COMINSTALLEN	COMINSTALLEN
Market	North America	North America	North America	North America	North America	North America

 **Electrolux**

Electrolux Major Appliances
North & Latin America
P.O. BOX 212378
AUGUSTA, GA 30917

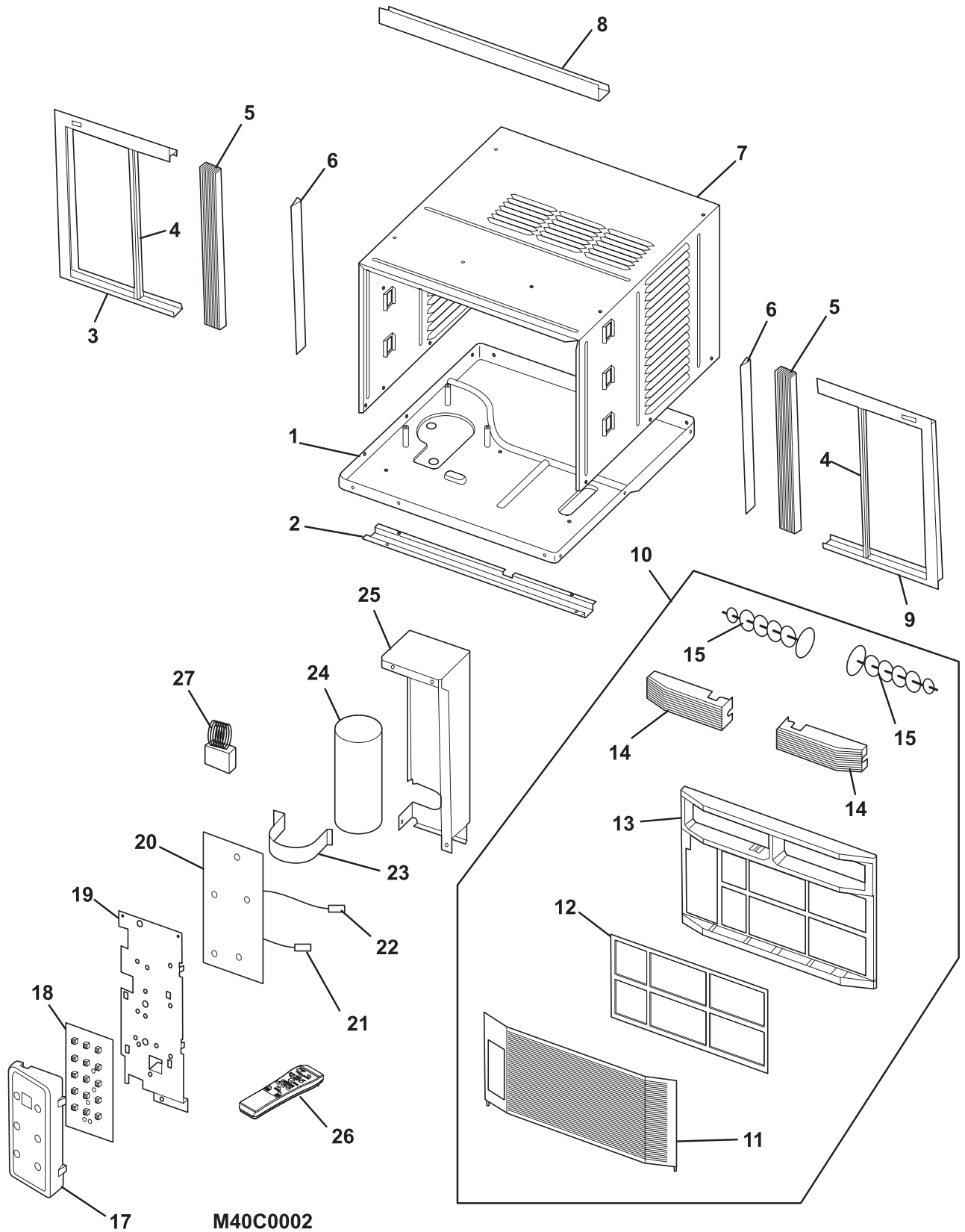
Publication No.
5995436960
05/05/17
(EN/SERVICE/WC)
099

**ROOM AIR
CONDITIONER**

**Model No.
FAC106P1**

Copyright © 2005 Electrolux Home Products, Inc.
All rights reserved.

CABINET, FRONT, CONTROLS

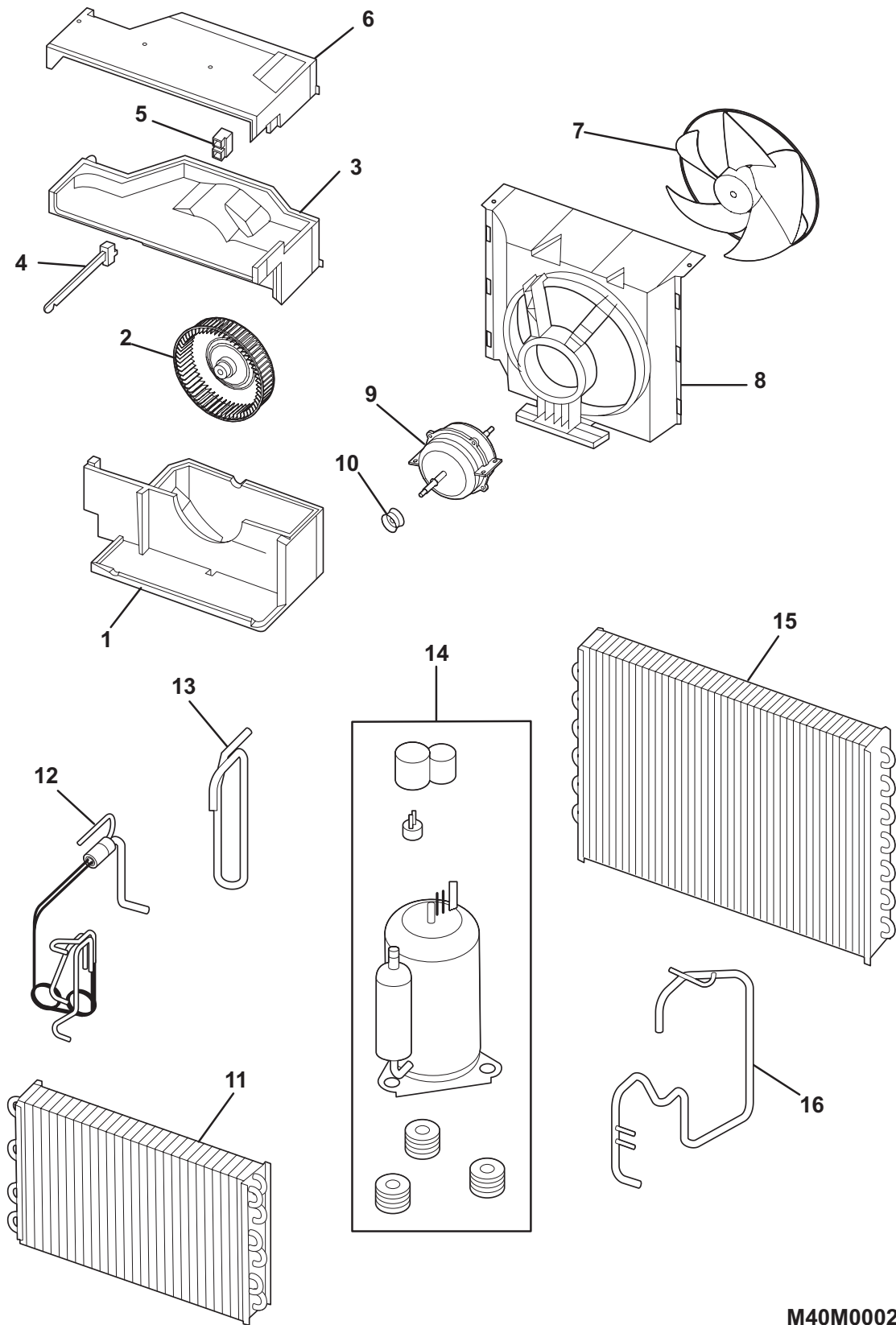


CABINET, FRONT, CONTROLS

Model Index: A FAC106P1A (FAC106P1A1)
 B FAC106P1A (FAC106P1A2)
 C FAC106P1A (FAC106P1A3)
 D FAC106P1A (FAC106P1A4)
 E FAC106P1A (FAC106P1A5)
 F FAC106P1A (FAC106P1A6)

POS. NO	PART NO.		DESCRIPTION
1	5304446456	A B - - - F	Base, unit châssis
1	5304436521	- - C D E -	Base, unit châssis
2	5304436523	A B C D E F	Rail, shutter track, bottom
3	5304436544	A B C D E F	Frame, shutter panel, LH
4	5304436545	A B C D E F	Retainer, shutter lock
5	5304436546	A B C D E F	Shutter, accordion panel
6	5304436547	A B C D E F	Retainer, shutter mount, cabinet sides
7	5304446442	A B C D E F	Cabinet, wrapper/sleeve
8	5304436549	A B C D E F	Rail, shutter track, top
9	5304436550	A B C D E F	Frame, shutter panel, RH
10	5304436600	A B C D E F	Front Assembly, complete panel, includes
11	5304436551	A B C D E F	Panel, front grille, tilt-out
12	5304436552	A B C D E F	Filter, air, plastic frame
13	5304436553	A B C D E F	Frame, front assembly
14	5304436554	A B C D E F	Louver, horizontal
15	5304446443	A B C D E F	Louver, vertical
17	5304436536	A B C D E F	Enclosure, control, pcb display
17*	5304436538	A B C D E F	Control Panel, display, electronic
18 #	5304436535	A B C D E F	PC Board, display/input
19	5304446441	A B C D E F	Panel, control mounting board
20 #	5304436532	A B C D E F	PC Board, control/power
21 #	5304436543	A B C D E F	Sensor, ambient temp
22 #	5304436542	A B C D E F	Sensor, evap temp, defrost
23	5304436530	A B C D E F	Strap, capacitor mtg.
24	5304446457	A B - - - F	Capacitor
24 #	5304436525	- - C D E -	Capacitor
25	5304436524	A B C D E F	Control Box
26 #	5304436596	A B C D E F	Remote Control, transmitter
27 #	5304436529	A B C D E F	Ionizer

COOLING & AIR FLOW SYSTEMS



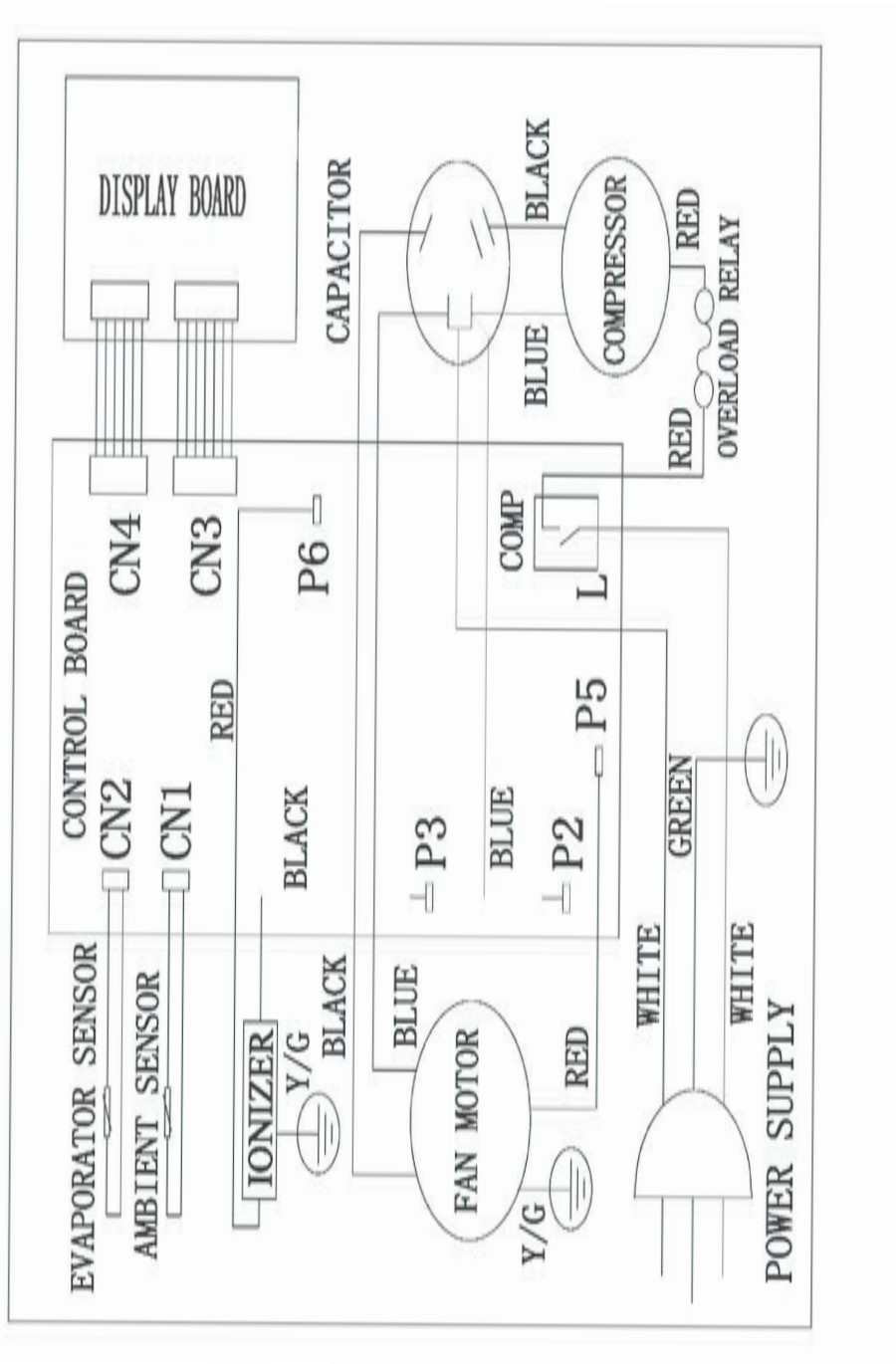
M40M002

COOLING & AIR FLOW SYSTEMS

Model Index: A FAC106P1A (FAC106P1A1)
 B FAC106P1A (FAC106P1A2)
 C FAC106P1A (FAC106P1A3)
 D FAC106P1A (FAC106P1A4)
 E FAC106P1A (FAC106P1A5)
 F FAC106P1A (FAC106P1A6)

POS. NO	PART NO.		DESCRIPTION
1	5304436556	A B C D E F	Scroll, blower housing, bottom, w/drain tray
2 #	5304436557	A B C D E F	Blower Wheel, centrifugal fan
3	5304436559	A B C D E F	Scroll, blower housing, top
4	5304436558	A B C D E F	Door, fresh air vent, with lever
5	5304436564	A B C D E F	Guide, vent door/lever
6	5304436565	A B C D E F	Cover, blower scroll, top
7 #	5304436563	A B C D E F	Fan Blade, propeller, axial flow
8 #	5304436562	A B C D E F	Shroud, fan housing
9 #	5304441406	A - - D - -	Motor, fan
9	5304446455	- B - - E -	Motor, fan
9 #	5304441405	- - C - - F	Motor, fan
10	5304436560	A B C D E F	Seal, fan motor, rubber ring, water proof
11 #	5304436566	A B C D E F	Evaporator
12	5304446461	A B - - - F	Capillary Tube
12 #	5304436582	- - C D E -	Capillary Tube, assy w/strainer
13	5304448238	A B - - - F	Discharge Tube
13 #	5304436574	- - C D E -	Discharge Tube
14	5304446459	A B - - - F	Compressor Assy
14 #	5304437082	- - C D E -	Compressor Assy
15 #	5304436572	A B - - - F	Condenser
15 #	5304436571	- - C D E -	Condenser
16	5304448237	A B - - - F	Suction Tube
16 #	5304436569	- - C D E -	Suction Tube
* #	5304446449	A B C D E F	Power Cord, electric, 115 V
*	5304458023	A B C D E F	Hardware Kit, installation

WIRING DIAGRAM



2202019158