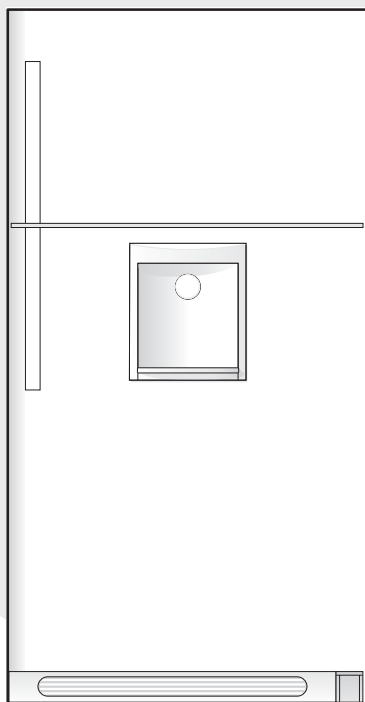


# Frigidaire

## Factory Parts Catalog



Product No.	GLRT218WDB9	GLRT218WDKP	GLRT218WDLP	GLRT218WDO9	GLRT218WDSP	GLRT218WDW9	GLRT218WDZP
Series	water-thru-door	water-thru-door	water-thru-door	water-thru-door	water-thru-door	water-thru-door	water-thru-door
Color	black (RH)	stain/blk (LH)	black (LH)	bisque (RH)	stain/blk (RH)	white (RH)	white (LH)
Volts	115	115	115	115	115	115	115
Wiring Diagram	241578801	241578801	241578801	241578801	241578801	241578801	241578801
Owner's Guide	241567602	241567602	241567602	241567602	241567602	241567602	241567602
Market	North America	North America	North America	North America	North America	North America	North America
Energy Guide	240598691	240598691	240598691	240598691	240598691	240598691	240598691
Service Data Sheet	241588200	241588200	241588200	241588200	241588200	241588200	241588200
Installation Instructions	241567800	241567800	241567800	241567800	241567800	241567800	241567800

 **Electrolux**

Electrolux Major Appliances  
North & Latin America  
P.O. BOX 212378  
AUGUSTA, GA 30917

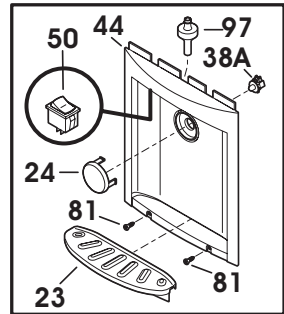
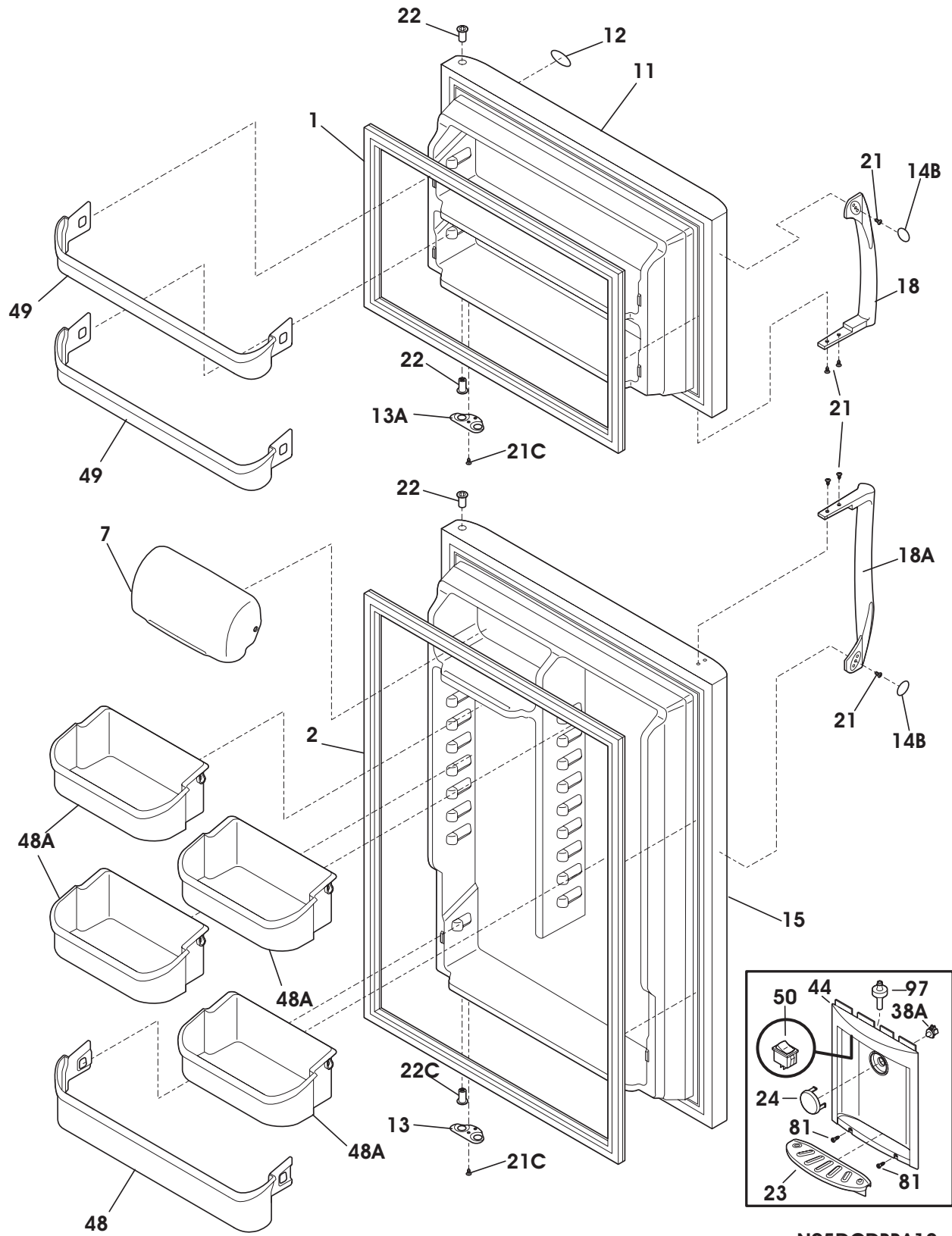
Publication No.  
**5995451795**  
05/10/19  
(EN/SERVICE/KHB)  
357

**TOP-MOUNT  
REFRIGERATOR WITH  
ICE-MAKER**

**Model No.  
GLRT218WD**

Copyright © 2005 Electrolux Home Products, Inc.  
All rights reserved.

**DOOR**



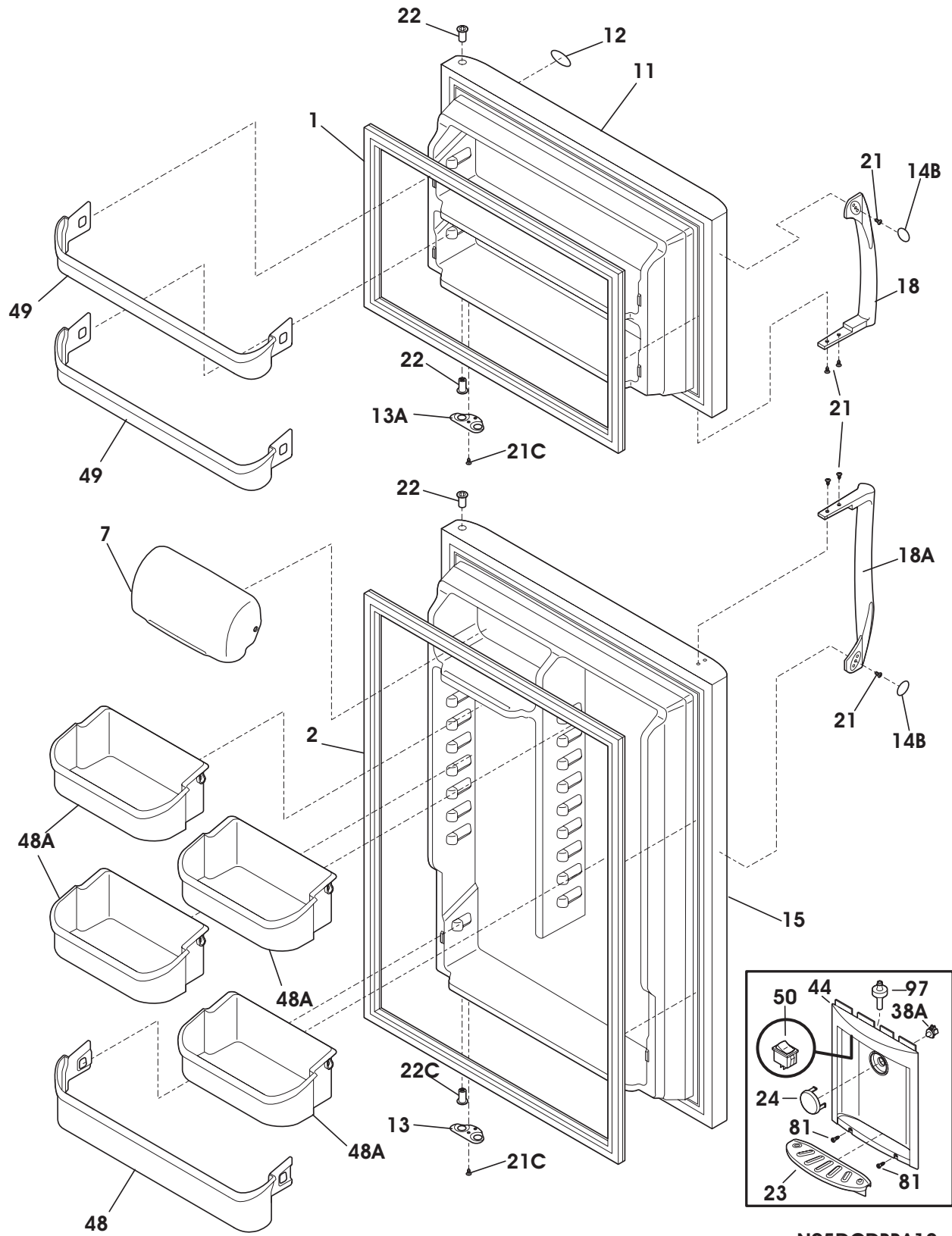
**N05DCDBBA12**

## DOOR

Model Index: A GLRT218WD (GLRT218WDB9)  
 B GLRT218WD (GLRT218WDKP)  
 C GLRT218WD (GLRT218WDLP)  
 D GLRT218WD (GLRT218WDQ9)  
 E GLRT218WD (GLRT218WDSP)  
 F GLRT218WD (GLRT218WDW9)  
 G GLRT218WD (GLRT218WDZP)

POS. NO	PART NO.		DESCRIPTION
1 #	240514611	A B C - E - -	Gasket, seal, black, frzr door, magnetic
1 #	240514607	- - - D - F G	Gasket, seal, white, frzr door, magnetic
2 #	240514612	A B C - E - -	Gasket, seal, black, refr door, magnetic
2 #	240514608	- - - D - F G	Gasket, seal, white, refr door, magnetic
7	240338303	A B C D E F G	Door, dairy, clear
11	240450350	A - - - - -	Door, frzr, black, complete assy
11	240450374	- B - - - -	Door, frzr, stainless steel, LH
11	240450353	- - C - - - -	Door, frzr, black, LH
11	240450349	- - - D - - -	Door, frzr, bisque, complete assy
11	240450373	- - - - E - -	Door, frzr, stainless steel, RH
11	240450348	- - - - - F -	Door, frzr, white, complete assy
11	240450351	- - - - - G	Door-frzr, white, LH, complete assy
12	240449703	A B C - E - -	Nameplate, black
12	240449702	- - - D - - -	Nameplate, bisque
12	240449701	- - - - - F G	Nameplate, white
13	240312405	A B C - E - -	Door Stop, black, refr
13	240312407	- - - D - - -	Door Stop, bisque, ref
13	240312403	- - - - - F G	Door Stop, white, ref
13A	240312406	A B C - E - -	Door Stop, black, frzr
13A	240312408	- - - D - - -	Door Stop, bisque, frzr
13A	240312404	- - - - - F G	Door Stop, white, frzr
14B	240383603	A B C - E - -	Plug-button, black, door handle
14B	240383602	- - - D - - -	Plug-button, bisque, door handle
14B	240383601	- - - - - F G	Plug-button, white, door handle
15	241655202	A - - - - -	Door-refr, black, complete assy
15	241655207	- B - - - -	Door-refr, stainless, complete assy
15	241655205	- - C - - - -	Door-refr, black, LH, complete assy
15	241655201	- - - D - - -	Door-refr, bisque, LH, complete assy
15	241655206	- - - - E - -	Door-refr, stainless, complete assy
15	241655200	- - - - - F -	Door-refr, white, complete assy
15	241655203	- - - - - G	Door-refr, white, complete assy
18	240339203	A B C - E - -	Handle-door, black, refr-LH/frzr-RH
18	240339204	- - - D - - -	Handle-door, bisque, refr-LH/frzr-RH
18	240339201	- - - - - F G	Handle-door, white, refr-LH/frzr-RH
18A	240339208	A B C - E - -	Handle-door, black, refr-RH/frzr-LH
18A	240339209	- - - D - - -	Handle-door, bisque, refr-RH/frzr-LH
18A	240339206	- - - - - F G	Handle-door, white, refr-RH/frzr-LH
21	240383401	A B C D E F G	Screw, truss hd quad, #10-16 x .500
21C	218252200	A B C D E F G	Screw, #8 truss hd, 10-32CA x 0.500
22	240527102	A B C - E - -	Bearing-hinge, black
22	240527101	- - - D - F G	Bearing-hinge, natural color
22C	240328404	A B C - E - -	Bearing-hinge, black, upper
22C	240328402	- - - D - F G	Bearing-hinge, natural, upper
23	241553303	A B C - E - -	Drip Tray, black

**DOOR**



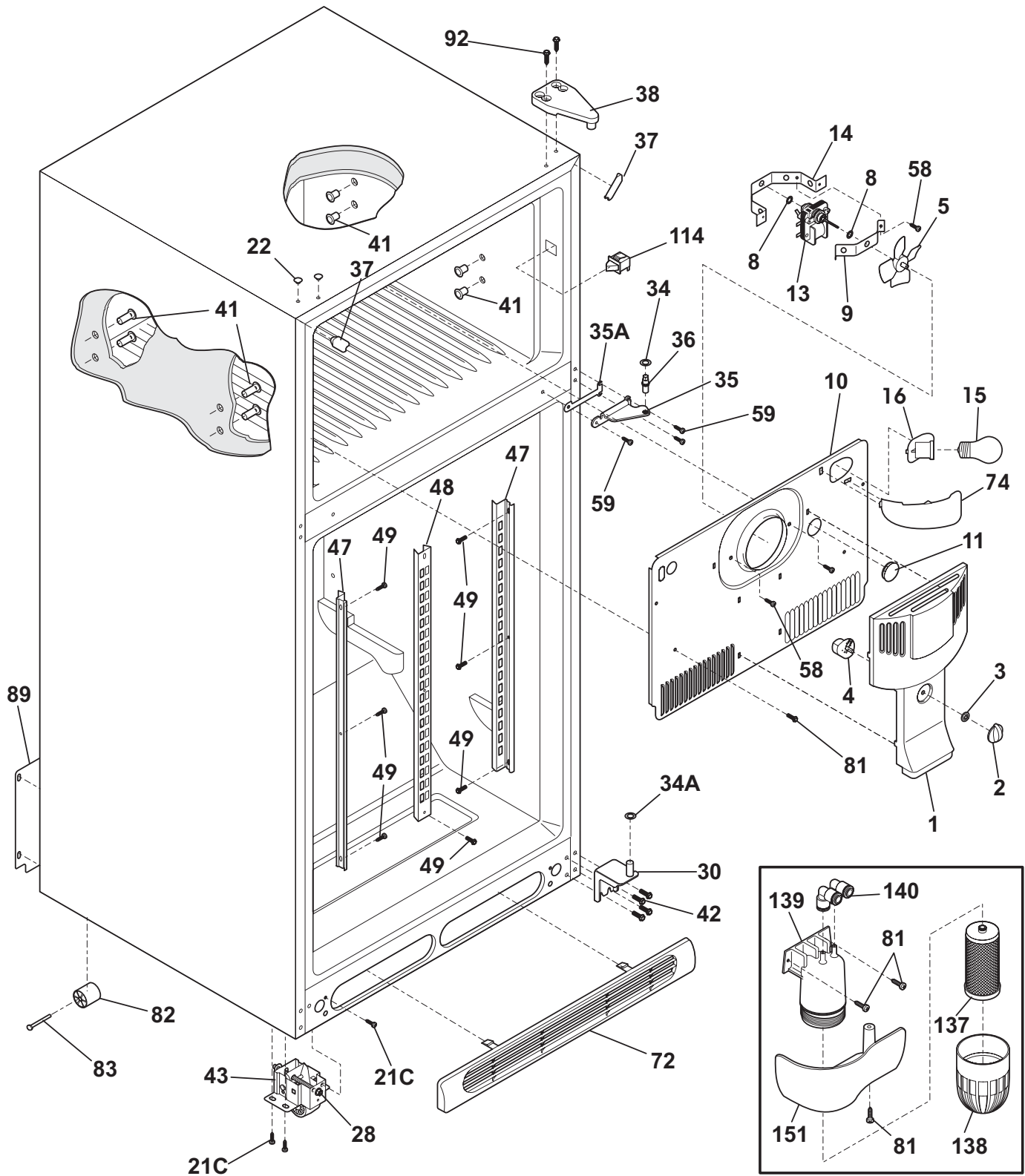
**N05DCDBBA12**

**DOOR**

*Model Index:* A GLRT218WD (GLRT218WDB9)  
 B GLRT218WD (GLRT218WDKP)  
 C GLRT218WD (GLRT218WDLP)  
 D GLRT218WD (GLRT218WDQ9)  
 E GLRT218WD (GLRT218WDSP)  
 F GLRT218WD (GLRT218WDW9)  
 G GLRT218WD (GLRT218WDZP)

POS. NO	PART NO.		DESCRIPTION
23	241553304	- - - D - - -	Drip Tray, bisque
23	241553301	- - - - - F G	Drip Tray, white
24	241553603	A B C - E - -	Actuator-water, black
24	241553604	- - - D - - -	Actuator-water, bisque
24	241553601	- - - - - F G	Actuator-water, white
38A	241610101	A B C D E F G	Switch-actuator
44	241553403	A B C - E - -	Cover-module, black
44	241553404	- - - D - - -	Cover-module, bisque
44	241553401	- - - - - F G	Cover-module, white
48	240338101	A B C D E F G	Bin-door, pseudo, bottom
48A	240430301	A B C D E F G	Bin-door, gallon
49	240495805	A B C D E F G	Bin-door, pseudo, frzr
50	241611102	A B C - E - -	Switch-rocker, black
50	241611101	- - - D - F G	Switch-rocker, white
81	240363401	A B C D E F G	Screw-#8-18 X 1/2, #6 hd plask
97	241603401	A B C D E F G	Valve-check
*	218490901	- B - - E - -	Cleaner, stainless steel
*	240352102	A B C D E F G	Connector-water, straight
*	241609901	A B C D E F G	Harness-wiring
*	241623001	A B C D E F G	Harness-wiring
*	241649901	A B C D E F G	Harness-wiring, door

**CABINET**



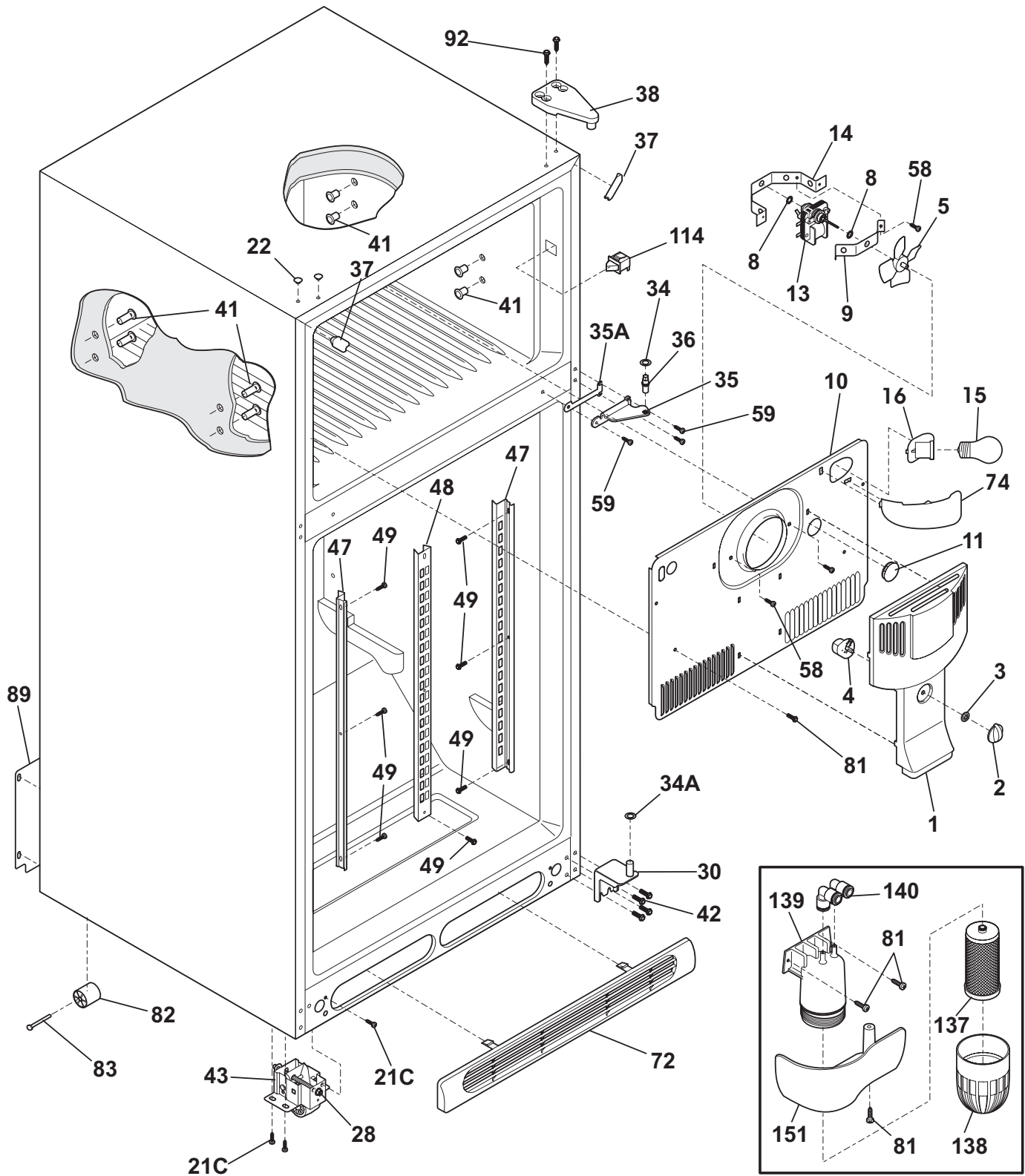
N05BAAAAC7

**CABINET**

- Model Index:* A GLRT218WD (GLRT218WDB9)  
 B GLRT218WD (GLRT218WDKP)  
 C GLRT218WD (GLRT218WDLP)  
 D GLRT218WD (GLRT218WDQ9)  
 E GLRT218WD (GLRT218WDSF)  
 F GLRT218WD (GLRT218WDW9)  
 G GLRT218WD (GLRT218WDZP)

POS. NO	PART NO.		DESCRIPTION
1	240355402	A B C D E F G	Cover-fan
2	240367001	A B C D E F G	Knob-damper control
3	5303212803	A B C D E F G	Nut
4	241523701	A B C D E F G	Damper-fan cover
5 #	5308000010	A B C D E F G	Fan Blade, red, evaporator fan
8	5300157666	A B C D E F G	Bushing-motor mtg, (2)
9	5303292396	A B C D E F G	Bracket-motor mtg, front
10	240313609	A B C D E F G	Cover-evap coil, w/light
10*	240568606	A B C D E F G	Seal-coil cover
10*#	241537701	A B C D E F G	Wiring Harness, freezer section, with light
11	5303208309	A B C D E F G	Plug-hole, factory test
13	240369702	A B C D E F G	Motor-evap fan
13*	218931001	A B C D E F G	Clamp-motor wiring, nylon, w/adhesive tape
14	5303292397	A B C D E F G	Bracket-motor mtg, rear
14*	240433201	A B C D E F G	Screw, hex washer head, 8-18 x 0.375
14*	5303274237	A B C D E F G	Screw, hex washer head, 8-32CA x 0.500, motor bracket
15	241560701	A B C D E F G	Light Bulb
16 #	241513901	A B C D E F G	Socket-light
21C	218252200	A B C D E F G	Screw, #8 truss hd, 10-32CA x 0.500
22	215774918	A B C - E - -	Plug-button, black, upr hinge holes
22	215774919	- - - D - - -	Plug-button, bisque, upr hinge holes
22	215774901	- - - - F G	Plug-button, white, upr hinge holes
28	240335501	A B C D E F G	Bolt-roller adj, hex washer head, 1/4-20 x 4.020, (2), special
30	241625005	A - - - E - -	Bracket-lower hinge, black
30	241625006	- B C - - - -	Bracket-lower hinge, black
30	241625001	- - - D - F -	Bracket-lower hinge, zinc
30	241625002	- - - - - G	Bracket-lower hinge, zinc
30*	241614401	A - - D E F -	Cover, lower hinge
30*	241614402	- B C - - - G	Cover-lower hinge
34	240311303	A B C D E F G	Washer, hinge, nylon, (2)
34A	241555701	A B C D E F G	Washer-nylon
35	240313803	A B C - E - -	Bracket-ctr hinge, black
35	240313801	- - - D - F G	Bracket-ctr hinge, zinc
35A	240336802	A B C D E F G	Spacer-hinge, center
36	240516401	A B C D E F G	Pin-center hinge
37	240337603	A B C - E - -	Trim-cabinet corner, black, (2)
37	240337604	- - - D - - -	Trim-cabinet corner, bisque, (2)
37	240337601	- - - - - F G	Trim-cabinet corner, white, (2)
38	241622603	A B C - E - -	Hinge-up-plastic-blk, plastic, black
38	241622604	- - - D - - -	Hinge-up-plastic-bis, plastic, bisque
38	241622601	- - - - - F G	Hinge-up-plastic-wht, plastic, white
41	5308009759	A B C D E F G	Grommet, shelf mtg, 1.25", LH, (4)
42	240578901	A B C D E F G	Screw-hinge mtg, hex head, 1/4-20 x 5/8
43	240335003	A B C D E F G	Roller Assy, adjustable, front, (2)

**CABINET**



N05BAAAAC7

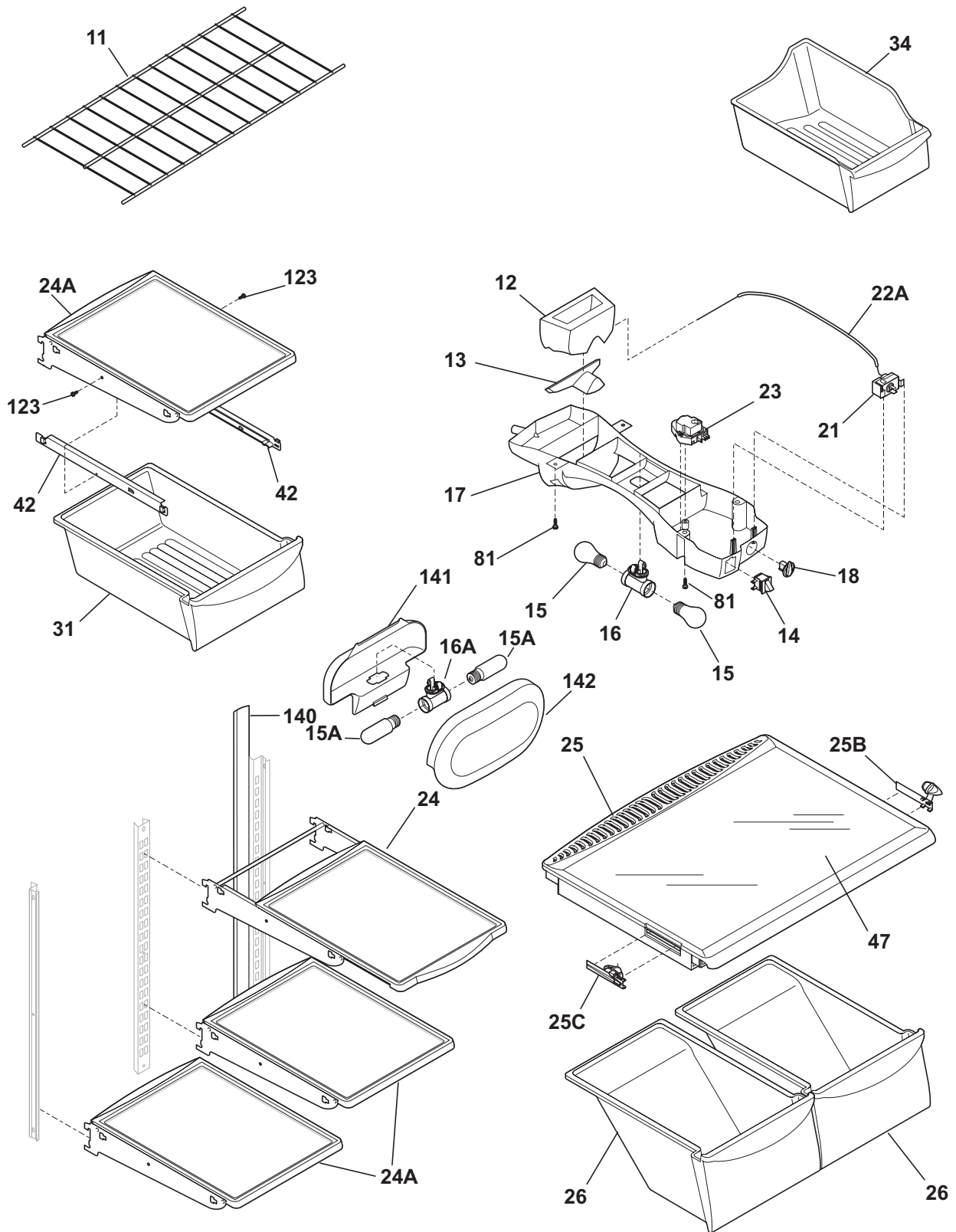


**CABINET**

*Model Index:* A GLRT218WD (GLRT218WDB9)  
 B GLRT218WD (GLRT218WDKP)  
 C GLRT218WD (GLRT218WDLP)  
 D GLRT218WD (GLRT218WDO9)  
 E GLRT218WD (GLRT218WDSF)  
 F GLRT218WD (GLRT218WDW9)  
 G GLRT218WD (GLRT218WDZP)

POS. NO	PART NO.		DESCRIPTION
47	218233300	A B C D E F G	Channel-shelf mtg, side, (2)
48	241566901	A B C D E F G	Channel-shelf mtg, center (ml)
49	218362500	A B C D E F G	Screw, hex washer head, 8-18AB x 1.250, spacer, (2)
58	5303001343	A B C D E F G	Screw, hex washer head, 8-15A x 0.500
59	240442703	A B C - E - -	Screw-#10-32 X 3/4, black
59	240442701	- - - D - F G	Screw-#10-32 X 3/4, zinc
72	241560101	A - - - E - -	Grille/Kickplate, black
72	241560105	- B C - - - -	Grille/Kickplate, black, LH
72	241560103	- - - D - - -	Grille/Kickplate, bisque
72	241560102	- - - - - F -	Grille/Kickplate, white
72	241560106	- - - - - G	Grille/Kickplate, white, LH
74	240354301	A B C D E F G	Shield-light, frzr
81	5308016566	A B C D E F G	Screw, hex washer head, 8-15A x 0.625, low profile
82	5304418225	A B C D E F G	Roller, compressor base, rear, (2)
83	5303316859	A B C D E F G	Rivet, flat head, 1/4 OD x 1-3/4, roller pin
89	241574607	A B C D E F G	Cover-access, w/label
89*	241500301	A B C D E F G	Screw, hex washer head, 8-18AB x 0.500
92	216850900	A B C D E F G	Screw, hex washer hd, 1/4 x 7/8, hinge mtg
114#	240505801	A B C D E F G	Switch, light/lamp
137	240394501	A B C D E F G	Filter-water, carbon
137*	218710300	A B C D E F G	Wrench-filter
138	240434401	A B C D E F G	Cup-water filter
138*	218904301	A B C D E F G	O-ring, wtr filter cup
139	240434301	A B C D E F G	Housing-water filtr
140	240545201	A B C D E F G	Elbow-water tube
151	241555001	A B C D E F G	Cover-water filter
*	218515401	A B C D E F G	Clip
*	218990901	A B C D E F G	Clip-wire
*	240542601	A B C D E F G	Clip-wiring harness
*	5303321321	A B C - E - -	Paint, touch-up, black
*	5304414035	- - - D - - -	Paint, touch-up, bisque
*	5303305324	- - - - - F G	Paint, touch-up, white

**SHELVES**



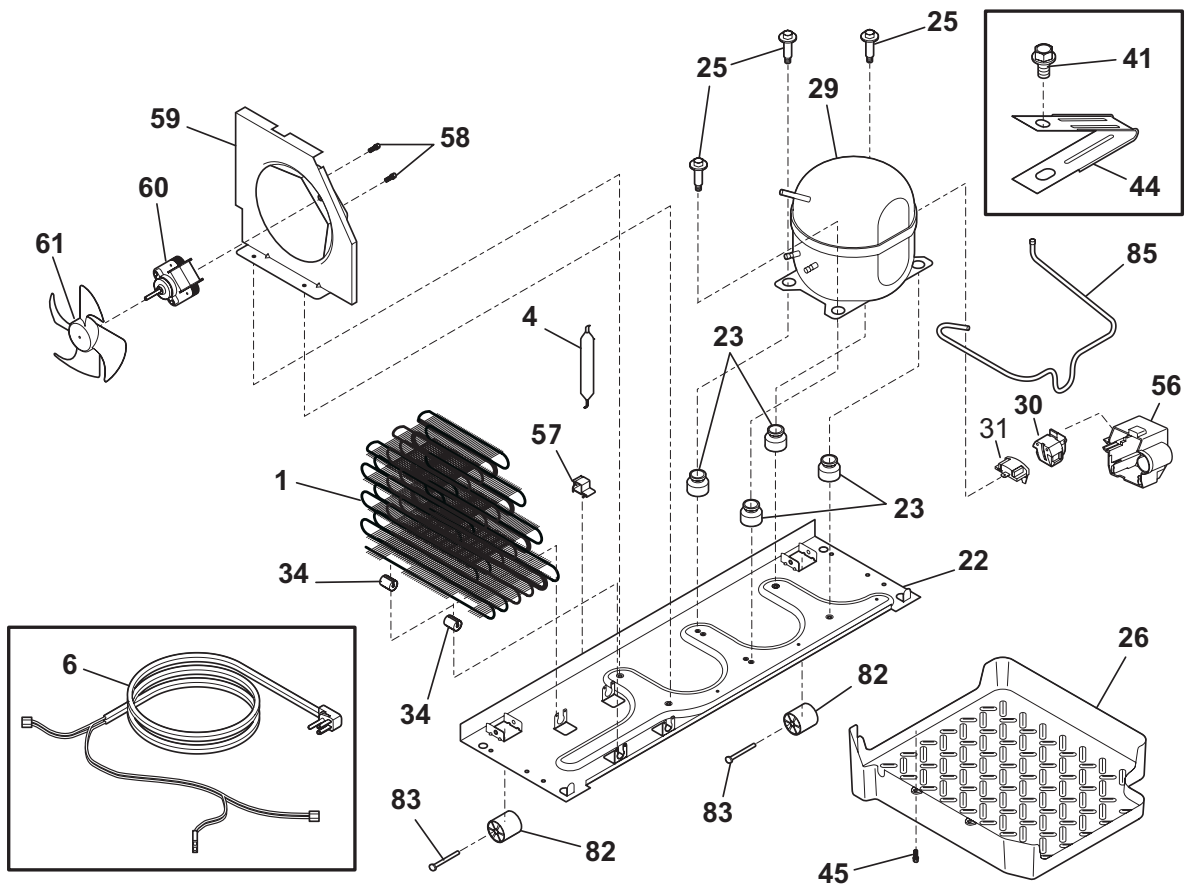
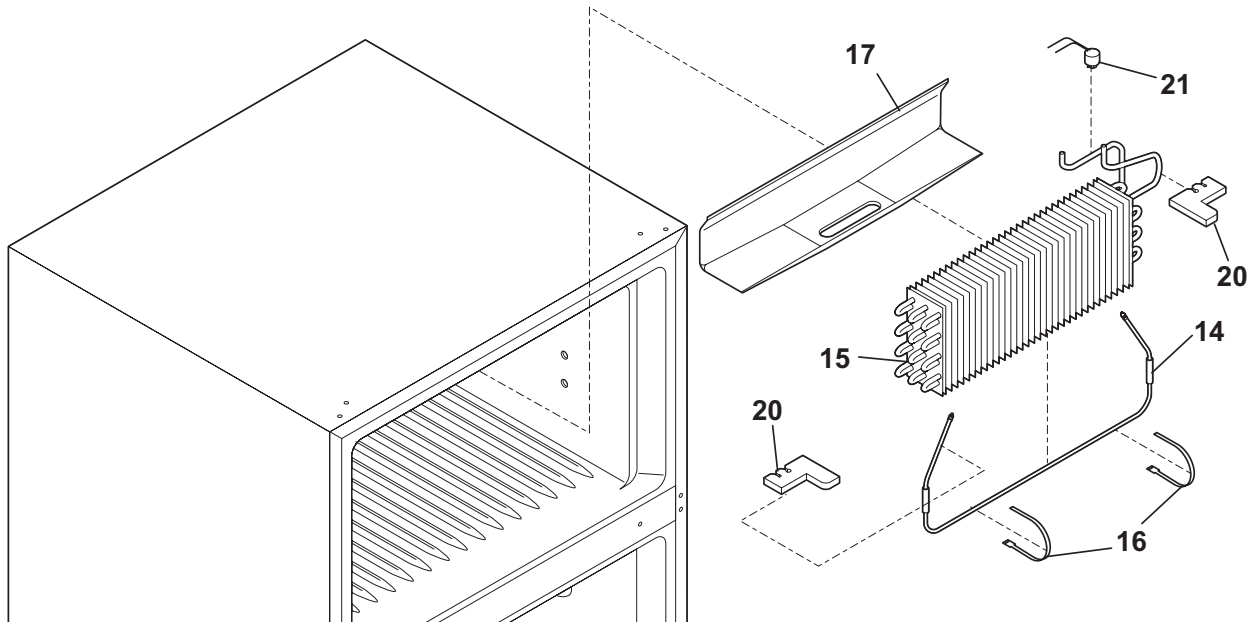
**N05SACAFX15**

**SHELVES**

*Model Index:* A GLRT218WD (GLRT218WDB9)  
 B GLRT218WD (GLRT218WDKP)  
 C GLRT218WD (GLRT218WDLP)  
 D GLRT218WD (GLRT218WDQ9)  
 E GLRT218WD (GLRT218WDSP)  
 F GLRT218WD (GLRT218WDW9)  
 G GLRT218WD (GLRT218WDZP)

POS. NO	PART NO.		DESCRIPTION
11	240358006	A B C D E F G	Shelf, freezer, full-width, wire
12	240545901	A B C D E F G	Diffuser-air, top
13	240362601	A B C D E F G	Diffuser, air, bottom
14 #	241554901	A B C D E F G	Switch-light/lamp
15	241555401	A B C D E F G	Light Bulb
15A	241552802	A B C D E F G	Light Bulb
16	240364201	A B C D E F G	Socket-light/lamp, dual
16A	241507803	A B C D E F G	Socket-light
16A*	241593901	A B C D E F G	Harness-wiring
17	240368101	A B C D E F G	Control Box
17*	241566801	A B C D E F G	Harness-wiring, c/box M/Level
18	240360801	A B C D E F G	Knob, temp control
21 #	5304445058	A B C D E F G	Control-temperature
22A	240468201	A B C D E F -	Tube, sensor sleeve, 31 inch, plastic, white
23 #	215846606	A B C D E F G	Timer, defrost, 60 Hz, 0.25 W, 120 V, 10 hour/30 min
23*	5303001259	A B C D E F G	Screw-timer mtg, pan hd, 6-20 x 0.438, (2)
24	240350119	A B C D E F G	Shelf-"Spill-Safe", cantilever, half-width, sliding
24A	240355228	A B C D E F G	Shelf-"Spill-Safe", cantilever, half-width, fixed
25	241572509	A B C D E F G	Cover-crisper pan
25B	241613501	A B C D E F G	Control-humidity, RH
25C	241613502	A B C D E F G	Control-humidity, LH
26	240343803	A B C D E F G	Pan, crisper, (2)
31	240530803	A B C D E F G	Pan-meat, w/o graphics, clear
34	240385201	A B C D E F G	Container, ice bin
42	240356501	A B C D E F G	Track, meat pan hanger, RH
42	240365401	A B C D E F G	Track, meat pan hanger, LH
47	240443301	A B C D E F G	Panel, pan cover, glass
81	5308016566	A B C D E F G	Screw, hex washer head, 8-15A x 0.625, low profile
123	215005100	A B C D E F G	Screw, hanger/rlr mtg, 8-10 x 0.438
140	240430506	A B C D E F G	Channel, wtr tube cover
141	241562101	A B C D E F G	Shield-heat, Mid Level
142	241562201	A B C D E F G	Shield-light Mid Level

**SYSTEM**



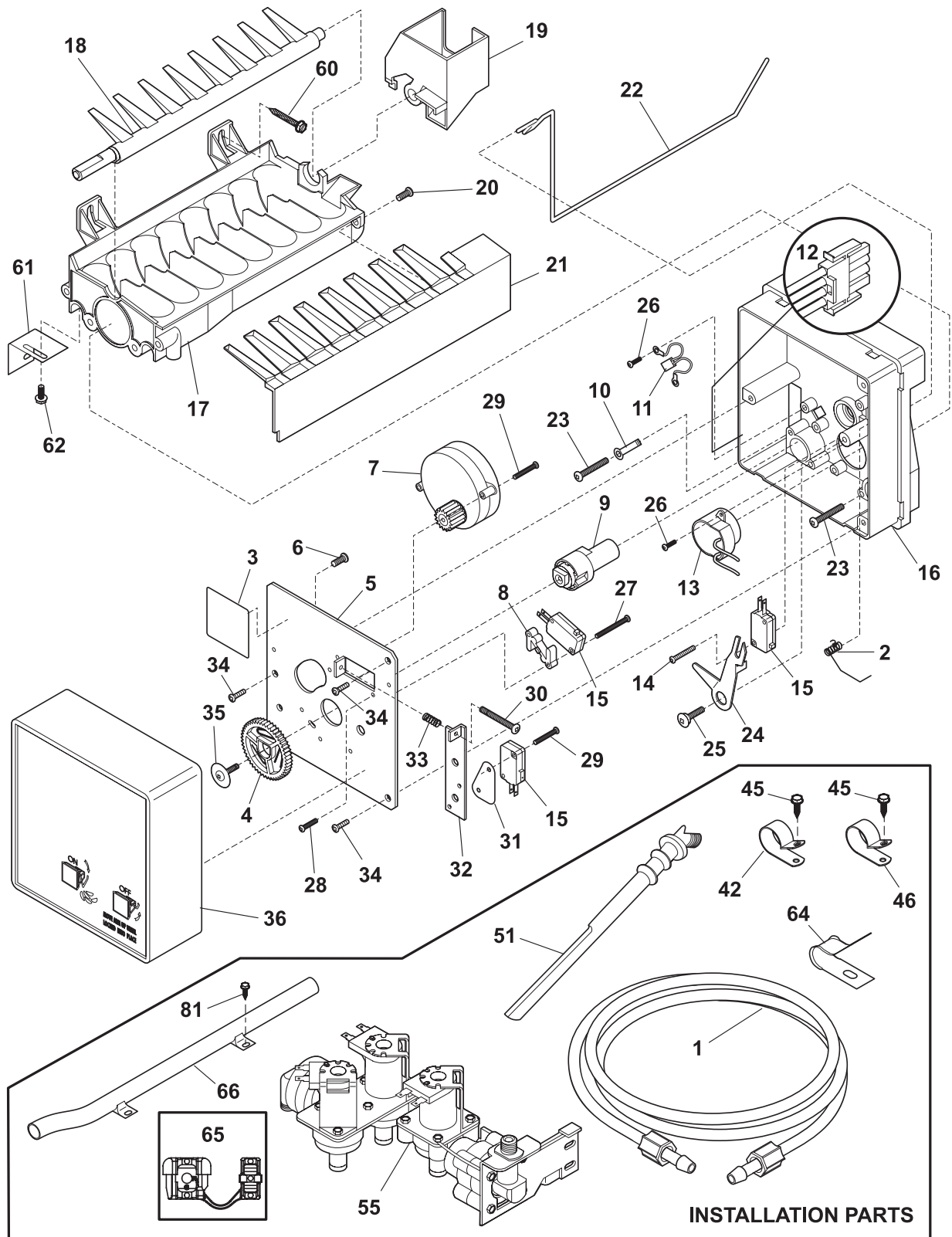
N05CABBAB12

**SYSTEM**

*Model Index:* A GLRT218WD (GLRT218WDB9)  
 B GLRT218WD (GLRT218WDKP)  
 C GLRT218WD (GLRT218WDLP)  
 D GLRT218WD (GLRT218WDQ9)  
 E GLRT218WD (GLRT218WDSP)  
 F GLRT218WD (GLRT218WDW9)  
 G GLRT218WD (GLRT218WDZP)

POS. NO	PART NO.		DESCRIPTION
1 #	240444401	A B C D E F G	Condenser, dynamic
4 #	218944001	A B C D E F G	Drier-filter, R134a System
6 #	241649801	A - - D E F -	Harness-wiring, machine compt
6 #	241649601	- B C - - - G	Harness-wiring, machine compt
6* #	241566801	A B C D E F G	Harness-wiring, c/box M/Level
6* #	240581801	A B C D E F G	Harness-wiring, compressor
6* #	241537701	A B C D E F G	Wiring Harness, freezer section, with light
14 #	240356217	A B C D E F G	Heater-defrost
15 #	5303918274	A B C D E F G	Evaporator Kit
16	5308000110	A B C D E F G	Strap-evap/heater, aluminum, (2)
17	241551801	A B C D E F G	Trough-drain
20	241551902	A B C D E F G	Insulation Block
21 #	5303918202	A B C D E F G	Thermostat-defrost, kit
22	241602001	A B C D E F G	Base-compressor
22*	218252200	A B C D E F G	Screw, #8 truss hd, 10-32CA x 0.500
23	218513300	A B C D E F G	Grommet-compr mtg, (4)
25	240491501	A B C D E F G	Screw-compressor mtg, 1/4-28 x 1.16, shoulder, typ CF
26	241637401	A B C D E F G	Pan-defrost
29 #	5303918297	A B C D E F G	Compressor, w/electricals
30 #	5304433579	A B C D E F G	Relay
31 #	5304433578	A B C D E F G	Overload Protector
34	240405201	A B C D E F G	Grommet, rubber, black, cond tube/wire
41	240555001	A B C D E F G	Screw-#8-32 X 3/8
44	215174700	A B C D E F G	Clamp-service cord, strain relief, galv steel
45	5308016566	A B C D E F G	Screw, hex washer head, 8-15A x 0.625, low profile
56	240582001	A B C D E F G	Cover-terminal
57	240542601	A B C D E F G	Clip-wiring harness
58	218897002	A B C D E F G	Screw, hex washer head, 8-32 x 0.375
59	5304430246	A B C D E F G	Bracket-cond motor assy
59*	240346701	A B C D E F G	Tape-foam seal, shroud
59*	240359401	A B C D E F G	Screw-fan shroud, (2)
60 #	240525402	A B C D E F G	Motor, condensor fan
61 #	240524101	A B C D E F G	Fan Blade, galv steel, condenser fan
82	5304418225	A B C D E F G	Roller, compressor base, rear, (2)
83	5303316859	A B C D E F G	Rivet, flat head, 1/4 OD x 1-3/4, roller pin
85	240493101	A B C D E F G	Tube-connector, suction
*	5303918210	A B C D E F G	Heat Exchanger Kit, suction line
* #	5304421289	A B C D E F G	Hot Tube Repair Kit, service

ICE MAKER



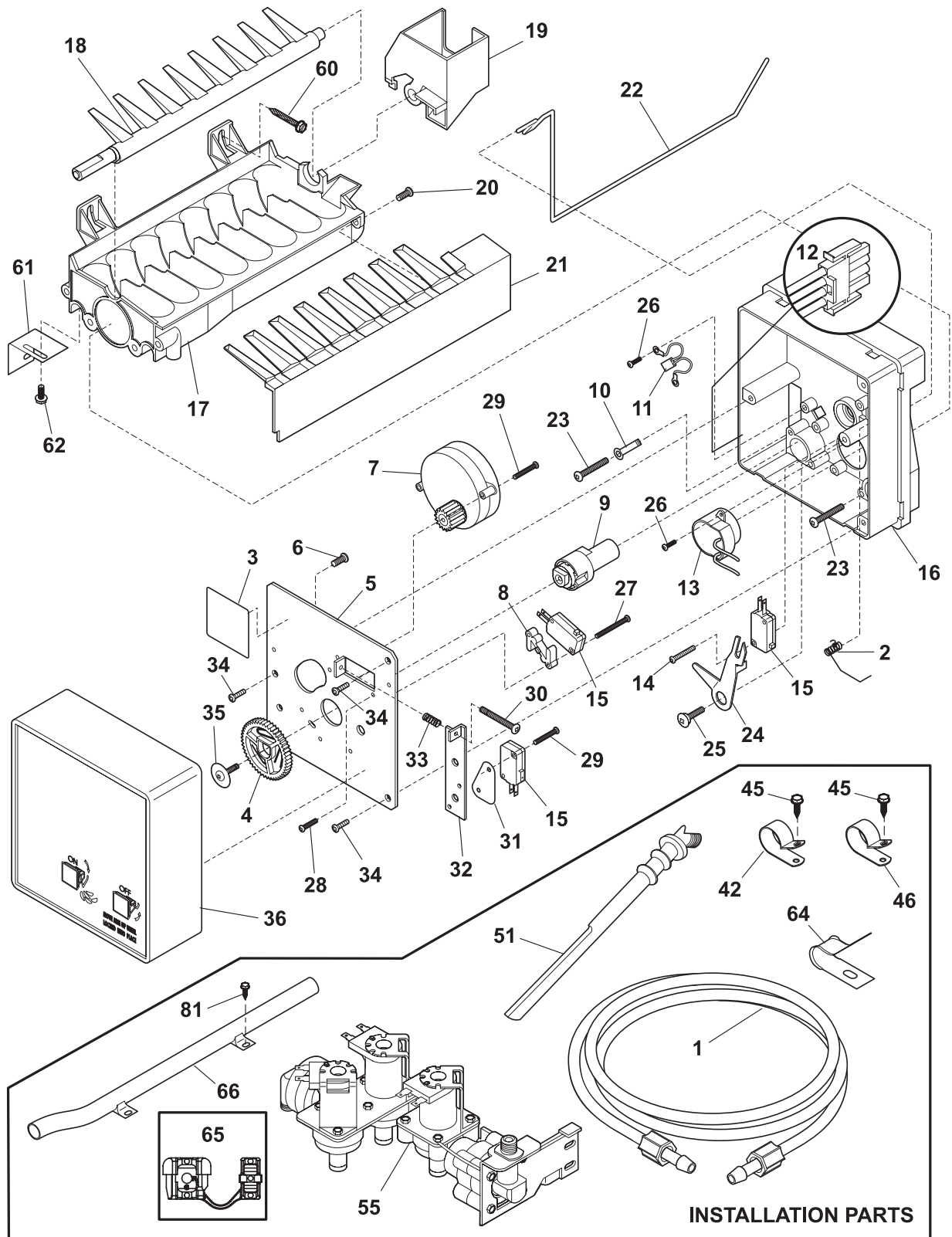
115-2

**ICE MAKER**

*Model Index:* A GLRT218WD (GLRT218WDB9)  
 B GLRT218WD (GLRT218WDKP)  
 C GLRT218WD (GLRT218WDLP)  
 D GLRT218WD (GLRT218WDO9)  
 E GLRT218WD (GLRT218WDSF)  
 F GLRT218WD (GLRT218WDW9)  
 G GLRT218WD (GLRT218WDZP)

POS. NO	PART NO.		DESCRIPTION
1	218976901	A B C D E F G	Tube-water inlet, inlet valve, to ice maker
1*	240561701	A B C D E F G	Seal-water inlet, inlet valve, to ice maker
1*	241566501	A B C D E F G	Tube-water inlet, valve to I.M.
1*	241566502	A B C D E F G	Tube-water inlet, valve to tank
1*	241566503	A B C D E F G	Tube-water inlet, inlet valve, to filter
2	5304420650	A B C D E F G	Spring, shut-off arm
3	3206299	A B C D E F G	Label, ID plate
4	3206301	A B C D E F G	Gear
5	3206303	A B C D E F G	Plate-mounting
6	3206305	A B C D E F G	Screw-ground wire, 8-32 x 0.250
7 #	3206306	A B C D E F G	Motor-ice maker
8	3206312	A B C D E F G	Spacer-hold switch
9	3206313	A B C D E F G	Cam
10	3206315	A B C D E F G	Clamp
11 #	3206319	A B C D E F G	Thermal Cutoff, ICE MAKER, complete assy
12 #	5304420651	A B C D E F G	Wiring Harness, ICE MAKER, internal, with plug
13 #	3206322	A B C D E F G	Thermostat Assy, ICE MAKER
14	5304420652	A B C D E F G	Screw, 4 x 0.750, switch mtg.
15 #	3206324	A B C D E F G	Switch, (3)
16	5304420653	A B C D E F G	Support, phenolic
17 #	5303320545	A B C D E F G	Mold-ice maker, Radius Cube, with heater
18	3206328	A B C D E F G	Ejector-ice
19	3206330	A B C D E F G	Bearing & Inlet
20	5304408581	A B C D E F G	Screw, 8-32 x 0.375
21	3206332	A B C D E F G	Ice Stripper
22	3206333	A B C D E F G	Shut-off Arm
23	5304408582	A B C D E F G	Screw, 8-32 x 0.875, mold-to-support, (3)
24	3206335	A B C D E F G	Lever Arm
25	3206336	A B C D E F G	Screw, 8-18 x 0.562, lever arm/sprt
26	5304420654	A B C D E F G	Screw-thermo/sprt, 4-24 x 0.375, (4)
27	3206338	A B C D E F G	Screw, 4-40 x 1.000, hold switch mtg, (2)
28	3206339	A B C D E F G	Screw-timing stop, 4-40 x 0.375
29	3206323	A B C D E F G	Screw, 4-24 x 0.750, (6)
30	3206341	A B C D E F G	Screw-timing adj, 8-32 x 1.000
31	3206342	A B C D E F G	Insulator
32	3206343	A B C D E F G	Plate-valve switch
33	5304408583	A B C D E F G	Spring-timing adj
34	5304420655	A B C D E F G	Screw, plazscrew, 8-10, (3)
35	5304408585	A B C D E F G	Screw
36	3206347	A B C D E F G	Cover-ice maker
42	5303001199	A B C D E F G	Clamp-wiring harness, strain relief, galv steel
45	5303001343	A B C D E F G	Screw, hex washer head, 8-15A x 0.500
46	5308000133	A B C D E F G	Clamp, nylon, .625 ID
51	241523501	A B C D E F G	Tube-water, ice mold fill, extension

ICE MAKER



115-2

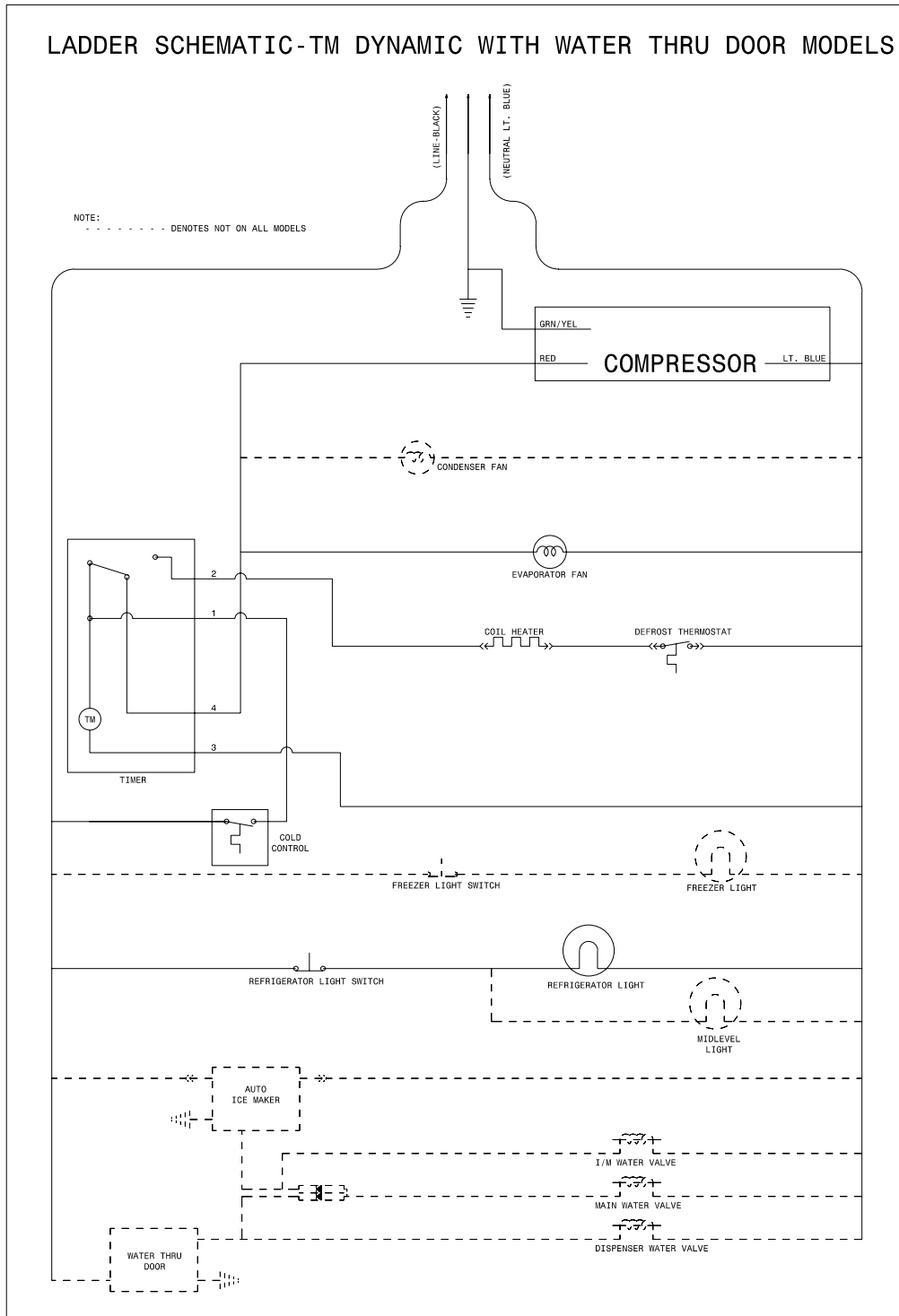


**ICE MAKER**

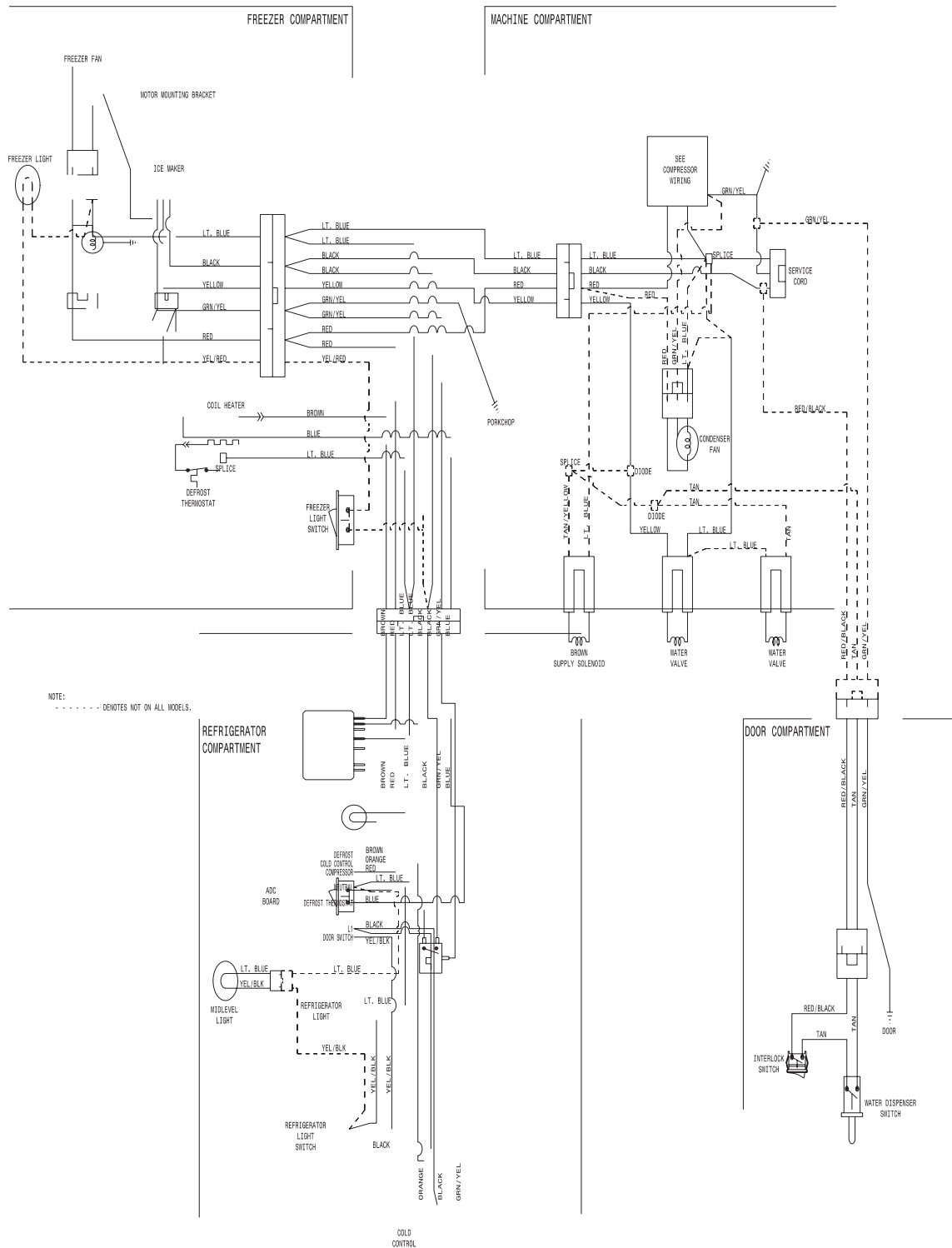
*Model Index:* A GLRT218WD (GLRT218WDB9)  
 B GLRT218WD (GLRT218WDKP)  
 C GLRT218WD (GLRT218WDLP)  
 D GLRT218WD (GLRT218WDQ9)  
 E GLRT218WD (GLRT218WDSP)  
 F GLRT218WD (GLRT218WDW9)  
 G GLRT218WD (GLRT218WDZP)

POS. NO	PART NO.							DESCRIPTION	
55 #	240531101	A	B	C	D	E	F	G	Valve-water, triple solenoid
55*	240363601	A	B	C	D	E	F	G	Screw-shoulder
60	218362500	A	B	C	D	E	F	G	Screw, hex washer head, 8-18AB x 1.250, spacer, (2)
61	218721500	A	B	C	D	E	F	G	Bracket-leveling, ICE MAKER
62	218737900	A	B	C	D	E	F	G	Screw-IM brkt mtg, hex washer head, 8-32D x 0.375
64	5303001549	A	B	C	D	E	F	G	Clamp, 0.31 ID, steel, copper wtr line
65	241603501	A	B	C	D	E	F	G	Clamp-strain relief
66	241606201	A	B	C	D	E	F	G	Conduit
81	5308016566	A	B	C	D	E	F	G	Screw, hex washer head, 8-15A x 0.625, low profile
*	218888001	A	B	C	D	E	F	G	Adapter-water supply, nut & sleeve, compression ftg
*	240352409	A	B	C	D	E	F	G	Ice Maker, Radius Cube, 115 V, no instl parts

WIRING SCHEMATIC



### WIRING DIAGRAM



W241578801