

Frigidaire

Factory Parts Catalog

Product No.	FRU17B2JW7
Series	134A
Color	white
Volts	115
Wiring Diagram	216946200
Owner's Guide	216961200
Market	North America
Energy Guide	216697904

 **Electrolux**

ELECTROLUX HOME PRODUCTS, INC.
P.O. Box 212378, Augusta, GA 30917

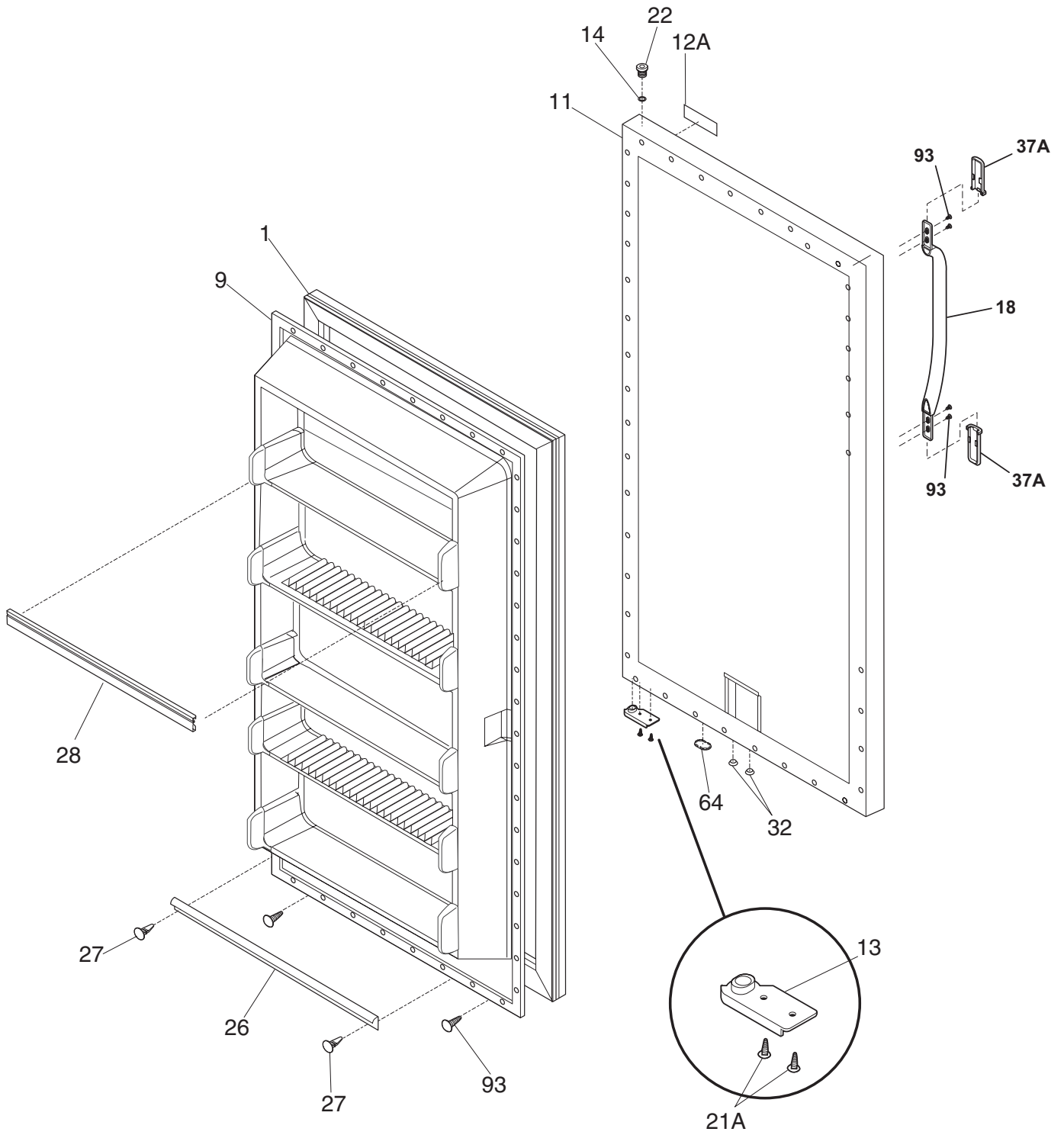
Publication No.
5995423844
04/12/09
(EN/SERVICE/ECL)
365

REFRIGERATOR

Model No.
FRU17B2JW

Copyright © 2004 Electrolux Home Products, Inc.
All rights reserved.

DOOR

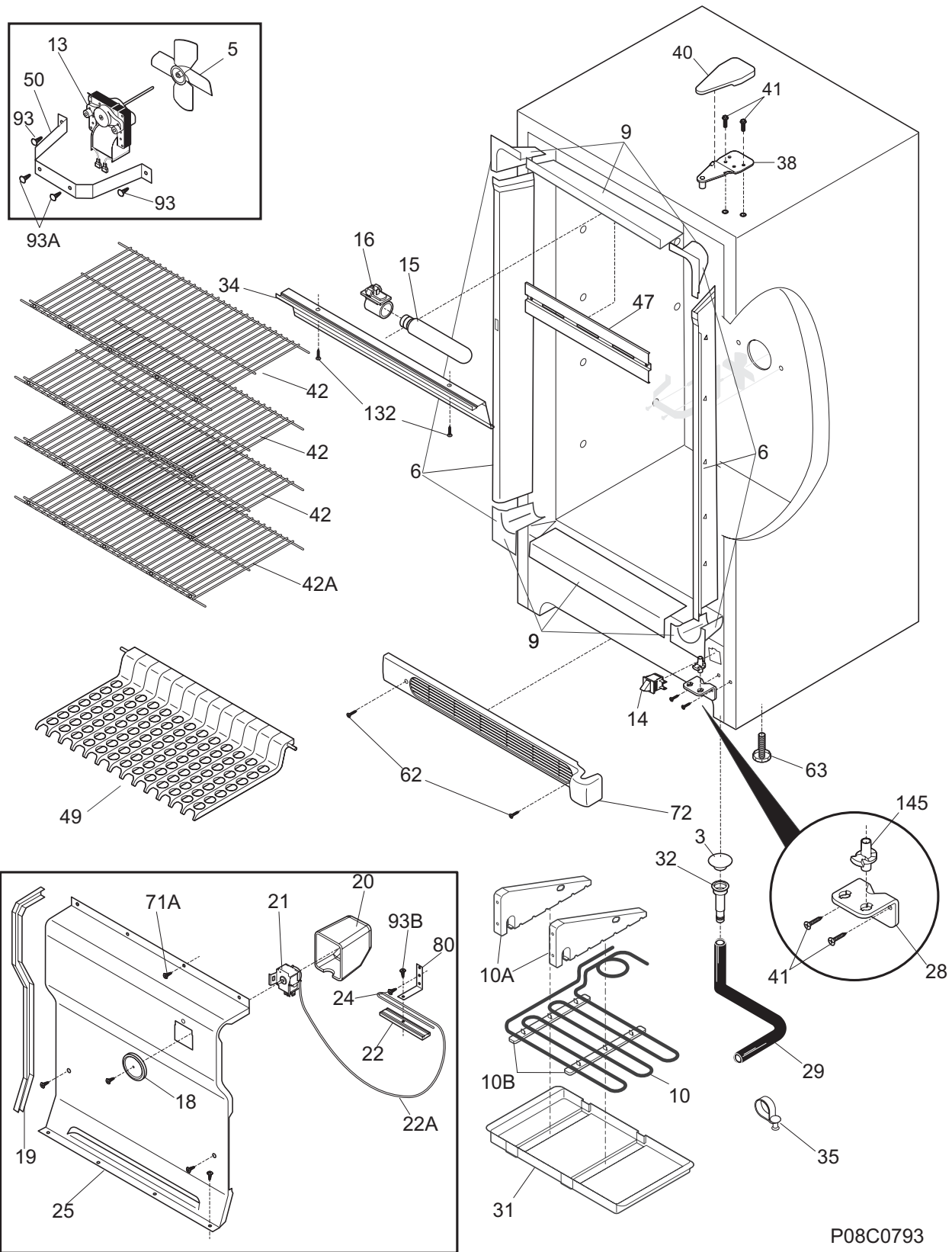


P08D0394

DOOR

POS. NO	PART NO.	DESCRIPTION
1	216522309	Gasket-door, white
9	216527813	Panel-inner door, frzr
11	216526538	Panel-outer door, white
12	216884300	Nameplate
13	216929100	Door Stop
14	5303313518	Washer, sealing
18	218762701	Handle-door, white
21A	5303205738	Screw, door stop, 10 (A) x 0.875, btm
22	5303925197	Bearing, hinge, top
26	216524200	Gasket, secondary
27	5303212828	Clip, panel mtg
28	216951600	Rack-door, (5)
32	5309950074	Valve, breather, door base
37A	215870619	Trim-handle, 2.47", white, w/chrome band
37A*	218676001	Band-decorative, chrome, handle trim
64	216403700	Plug-button, hole filler, door base
93	5303161215	Screw, ph truss head, 8-18AB x 0.500

CABINET

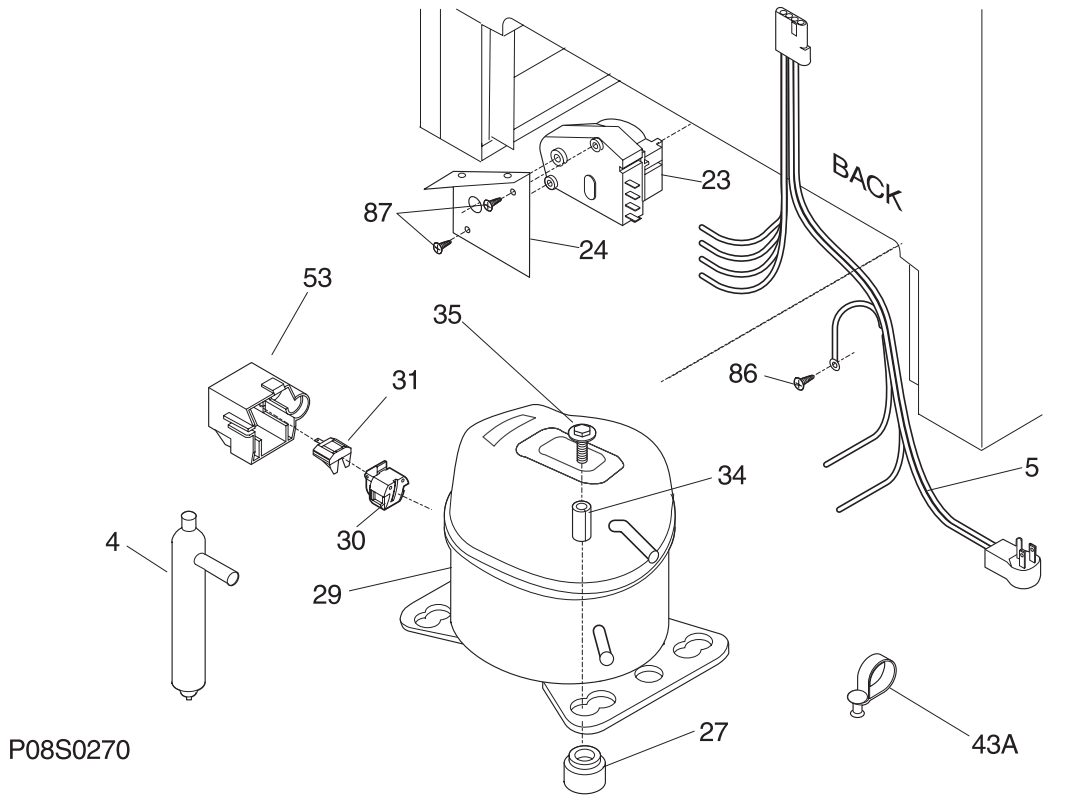
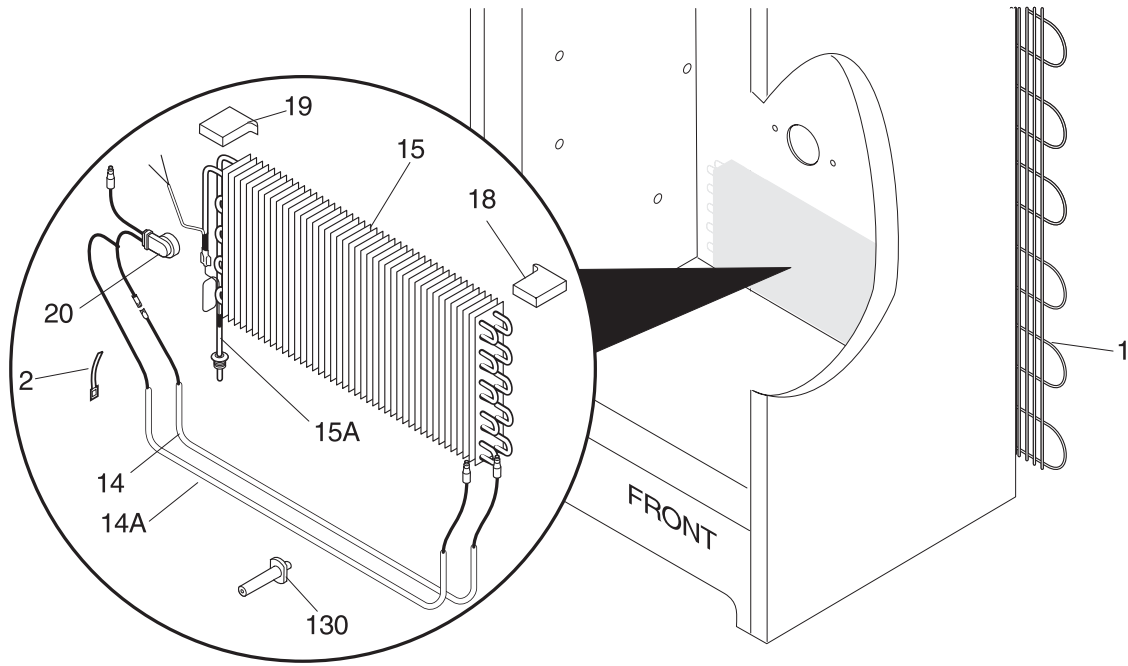


P08C0793

CABINET

POS. NO	PART NO.	DESCRIPTION
3	216503100	Screen-drain
5 #	216325600	Fan Blade
6	216604200	Breaker Kit w/corners
9	216603300	Breaker Kit w/corners, 32", top or bottom
10	216740900	Heater-Drain Pan Assy, tubing, formed
10A	216710400	Bracket, (2), top drain pan
10B	216710500	Bracket, (2), btm. drain pan
13 #	216914200	Motor, fan, 115 V
14	216822900	Switch, light/lamp, ramp
15	216846400	Light Bulb/Lamp
16	216817600	Socket, light/lamp, 25 W
18	216707200	Knob, temp control
19	216204900	Gasket, evap cover
20	216230300	Cover, temp control
21 #	216807800	Control-temperature
22	216823500	Clamp, cap tube, cold control
22A	5303916855	Tube, sensor sleeve, plastic, clear
24	5300052943	Screw-clamp, truss hd cr, control
25	216820400	Cover-evaporator
28	216929000	Hinge, bottom
29	216313503	Hose-drain
*	09948773	Insulation, drain tube
31	216732400	Pan-drain
32	5308005500	Drain
34	216816200	Shield-light
35	216629700	Clip
38	216939100	Hinge-upper
40	216809000	Cover-hinge
41	216954400	Screw, 12-24 x.700 hwh, hinge mtg.
42	216458400	Shelf, 14.50x27.88, (2)
42A	216458200	Shelf, 12.50x27.88, white
*	216502400	Grommet-shelf mtg
47	216661601	Baffle-plate
49	216937700	Trivet
50	216394000	Bracket, fan motor mount
62	131420300	Screw, cr truss head, 8-18AB x 0.750
63	216396900	Screw, leveling foot, plastic, adjustable
71A	216347500	Screw, quadrex, 8-32 x 0.300, grounding
72	216946600	Grille/Kickplate, 32", white
80	06594601	Bracket, control
93	5303161215	Screw, ph truss head, 8-18AB x 0.500
93A	216912400	Screw, hex washer head, #8-32 x .500, bracket fan mtr, (2)
93B	216036600	Screw, ph washer head, 8-32CA x 0.500, thread forming
132	5303283898	Screw, 6-20AB x 3/8
145	216929200	Pin, hinge, closer
*	216697904	Energy Guide

SYSTEM



P08S0270

SYSTEM

POS. NO	PART NO.	DESCRIPTION
1 #	5300083897	Condenser
2	5308000110	Strap-evap/heater, aluminum, (2)
4	216634500	Drier-filter
5 #	216945200	Harness-main
14	216730700	Heater-defrost
14A#	216730500	Heater-internal
15 #	216737300	Evaporator
15A	216751100	Heat Exchanger
18	216727600	Insulator-evap, styrofoam
19	216727700	Insulator-evap, styrofoam
20	216731000	Thermostat, defrost
23	216744400	Timer, defrost, 12 hour
24	08016580	Bracket
27	5308002681	Grommet, compressor
29 #	216888100	Compressor, w/o electricals
30	216596800	Starter, relay
31 #	216100106	Overload Protector
34	5306594529	Sleeve-compressor
35	5303272328	Screw, lnd hex sems, 1/4-28 unfx, compressor
43A	216629700	Clip
53	216347800	Cover terminal, cover-comp term
86	216036600	Screw, ph washer head, 8-32CA x 0.500, thread forming
87	08037849	Screw, ph truss head, 6-32(T) x 0.500, thread cutting
130	216486800	Support, evaporator mtg
*	09950610	Clip, cord
*	216502500	Sleeve, suction line