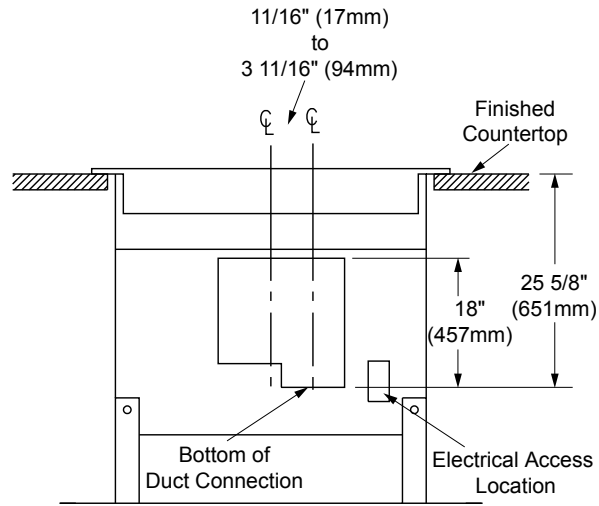
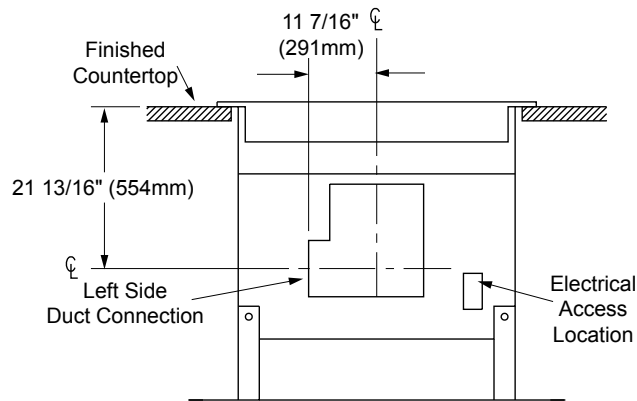


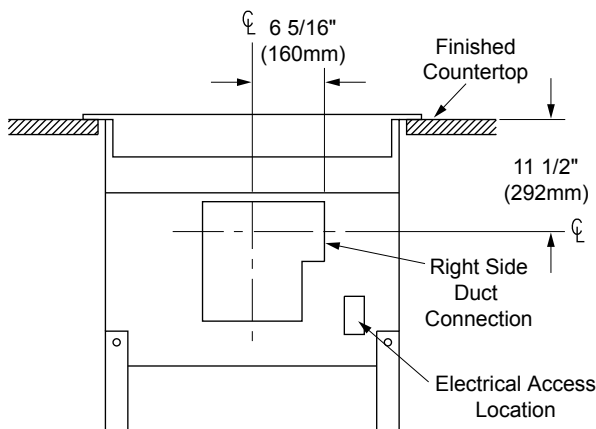
CABP3



CABP3 DUCTED DOWN
(inside Front Cabinet View)



CABP3 DUCTED LEFT
(inside Front Cabinet View)



CABP3 DUCTED RIGHT
(inside Front Cabinet View)

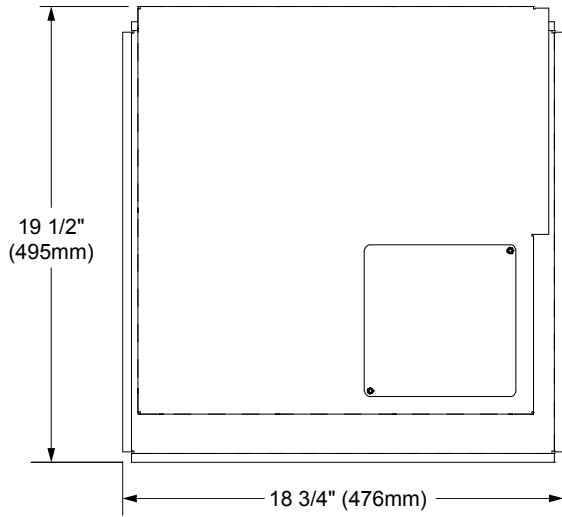


NOTE:

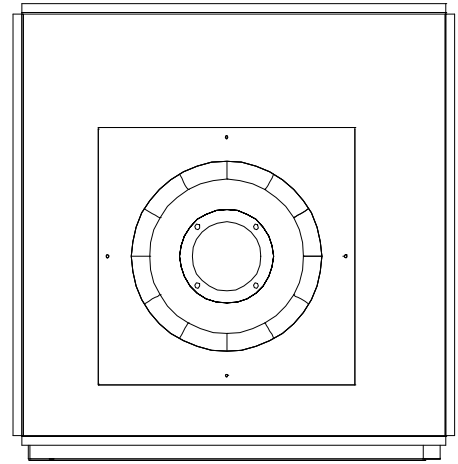
1. The CABP3 cabinet blower is not approved for use with PGM cooktops.
2. The CABP3 cabinet blower is not approved for use with ERV/PRV downdrafts.

Model No.	Dedicated Circuit Required	Maximum Duct Length	Total Connected Load	Blower Rating	Approximate Shipping Weight
CABP3	Refer to RV Specifications	Refer to Duct Planning Specifications	0.05kW (4A)	600 CFM	34 lbs.

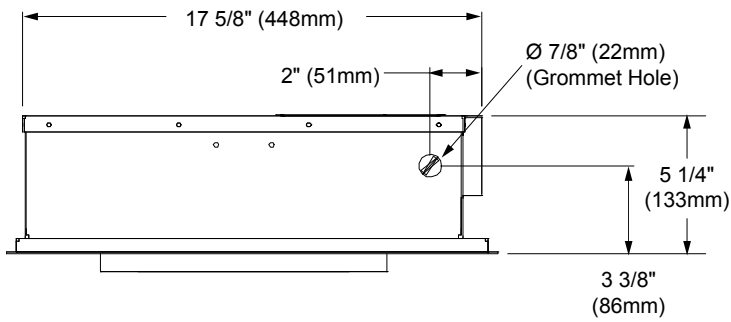
CABP3



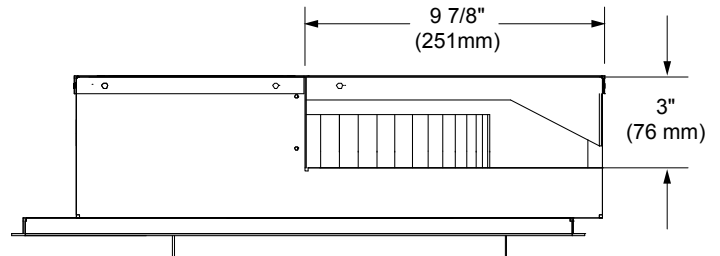
TOP VIEW



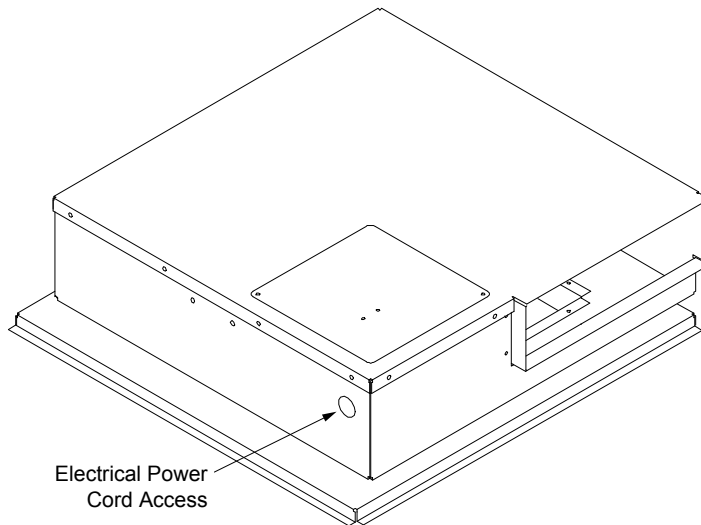
BOTTOM VIEW



ELECTRICAL LOCATION SIDE VIEW



DUCT LOCATION SIDE VIEW



ISOMETRIC VIEW