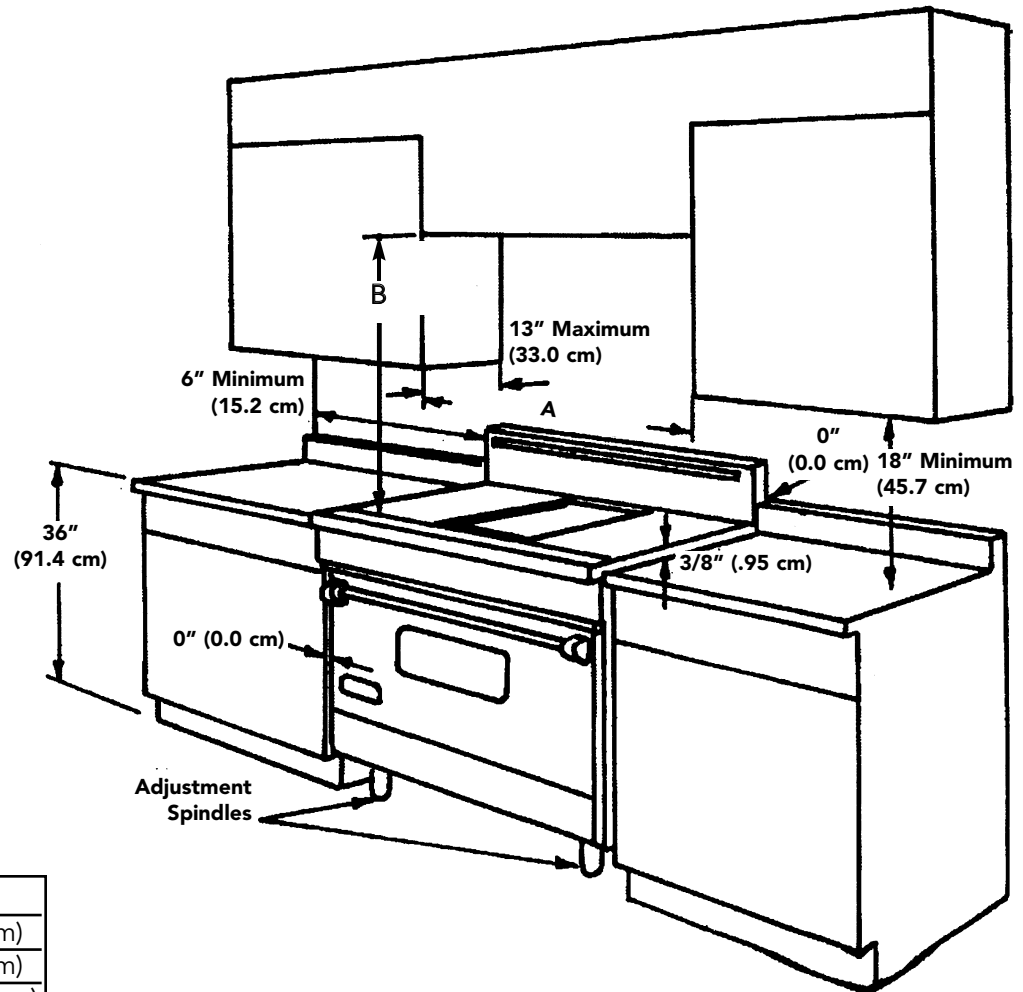


## PROXIMITY TO SIDE CABINET INSTALLATION

1. This range may be installed directly adjacent to existing 36" (91.4 cm) high base cabinets. **IMPORTANT:** The top grate support **MUST** be 3/8" (.95 cm) above the adjacent base cabinet countertop. This may be accomplished by raising the unit using the adjustment spindles on the legs.
2. The range **CANNOT** be installed directly adjacent to sidewalls, tall cabinets, tall appliances, or other side vertical surfaces above 36" (91.4 cm) high. There must be a minimum of 6" (15.2 cm) side clearance from the range to such combustible surfaces above the 36" (91.4 cm) counter height.
3. Within the 6" (15.2 cm) side clearance to combustible vertical surfaces above 36" (91.4 cm), the maximum wall cabinet depth must be 13" (33.0 cm) and wall cabinets within this 6" (15.2 cm) side clearance must be 18" (45.7 cm) above the 36" (91.4 cm) high countertop.
4. Wall cabinets above the range must be a minimum of 36" (91.4 cm) for open top burner units and 42" (106.7 cm) for sealed top burner units above the range cooking surface for the full width of the range. This minimum height requirement does not apply if a rangehood is installed over the cooking surface.



	Dim. A
30" W. Models	29 7/8" (75.9 cm)
36" W. Models	35 7/8" (91.1 cm)
48" W. Models	47 7/8" (121.6 cm)

	Dim. B (minimum)
Open Top Burners	36" (91.4 cm)
Sealed Burners	42" (106.7 cm)

## BASIC SPECIFICATIONS VGIC

Description	30" W. Models	36" W. Models	48" W. Models
Overall width	29 7/8" (75.9 cm)	35 7/8" (91.1 cm)	47 7/8" (121.6 cm)
Overall height	<p><u>Open Top Burners</u></p> <p>To top of:                      grate support -                      Min. 35 7/8" (91.1 cm)                      Max. 37 5/8" (95.6 cm)                      Legs adjust 1 3/4" (4.5 cm)</p> <p><u>Additions to Base Height</u></p> <p>To top of spider grate - add 1 1/8" (2.9 cm)                      To top of island trim - add 1 1/4" (3.2 cm)                      To top of 6" backguard - add 6" (15.2 cm)</p>		<p><u>Sealed Top Burners</u></p> <p>burner grate -                      37 3/8" (94.9 cm)                      39 1/8" (99.4 cm)                      1 3/4" (4.5 cm)</p> <p>To top of 10" backguard - add 10" (25.4 cm)                      To top of high shelf - add 23 1/2" (59.7 cm)</p>
Overall depth from rear	To end of side panel - 24 15/16" (63.3 cm)		
	To end of control panel - 27 7/8" (70.8 cm)		
	To end of knobs - 28 3/8" (72.0 cm)		
Electrical requirements	120 VAC/60 Hz; 4 ft. (121.9 cm), 3-wire cord with grounded 3-prong plug attached to unit.		
Gas requirements	Shipped natural or LP/Propane gas; field convertible with conversion kit (purchased separately); accepts standard residential 1/2" (1.3 cm) ID gas service line.		
Maximum amp usage	.83 amps	6B - .83 amps 4G - .96 amps 4Q - .83 amps	6G / 4GQ / 4K - 1.52 amps 6Q / 4Q / 8B - 1.52 amps 4G - 1.89 amps
Surface burner rating	15,000 BTU Nat. / 13,500 BTU LP (4.4 kW Nat / 4.0 kW LP)		
Griddle burner rating	N/A	15,000 BTU Nat. / 13,500 BTU LP (4.4 kW Nat. / 4.0 kW LP)	
Grill burner rating	N/A	12" - 1@ 18,000 BTU Nat. (5.3 kW)/ 16,000 BTU LP (4.7 kW) 24" - 2 @ 15,000 BTU Nat. (4.4 kW)/ 13,500 BTU LP (4.0 kW)	
Broil rating		18,000 BTU Nat./ 16,000 BTU LP (5.3 kW Nat. / 4.7 kW LP)	
Bake rating		30,000 BTU Nat./LP (9.8 kW Nat./LP)	Right 30,000 BTU Nat./LP (9.8 kW Nat./LP) Left 15,000 BTU Nat./LP (4.4 kW Nat.)
Oven Interior width	23" (58.4 cm)	29" (73.7cm)	Right - 23" (58.4 cm) Left - 12 1/8" (30.8 cm)
Oven Interior height		16 1/8" (41.0 cm)	
Oven Interior depth		17" (43.2 cm)	Right- 17"(43.2 cm) Left - 18 1/8"(45.9 cm)
Oven Interior overall size	3.7 cu. ft.	4.6 cu. ft.	Right - 3.7 cu. ft. Left - 2.0 cu. ft.
Approximate Shipping wt.	424 lbs. (190.8 kg)	6B - 465 lb. (209.3 kg) 4Q - 470 lb. (211.5 kg) 4G - 475 lb. (213.8 kg)	6G - 624 lb. (280.8 kg) 6Q - 620 lb. (279.0 kg) 4G - 634 lb. (285.3 kg) 4Q - 620 lb. (279.0 kg) 4GQ - 629 lb. (283.1 kg) 4K - 624 lb. (280.8 kg) 8B - 620 lb. (279.0 kg)

## Minimum Clearances

Minimum clearances from the product to adjacent surfaces or construction:

- Below 36" (91.4 cm)
  - Sides - 0"
  - Rear - 0"
- Above 36" (91.4 cm)
  - Sides - 6" (15.2 cm)

Within the 6" (15.2 cm) side clearance, wall cabinets shall be no deeper than 13" (33.0 cm) and must be a minimum of 18" (45.7 cm) above the countertop.