



*Frigidaire*

Factory Parts Catalog

Product No.	FEB30T6DBC	FEB30T6DQC	FEB30T6DSC
	37054381E4063	37054381E4043	37054381E4013
Series	30" double	30" double	30" double
Color	black	bisque	white
Market	North America	North America	North America
Wiring Diagram	318046121	318046121	318046121
Owner's Guide	318200924	318200924	318200924
Installation Instructions	318201514	318201514	318201514
Service Data Sheet	318047306	318047306	318047306
Timer Guide	318200137	318200137	318200137

 **Electrolux**

Electrolux Major Appliances  
 North & Latin America  
 P.O. BOX 212378  
 AUGUSTA, GA 30917

Publication No.  
**5995459400**  
 06/01/24  
 (EN/SERVICE/ECL)  
 377

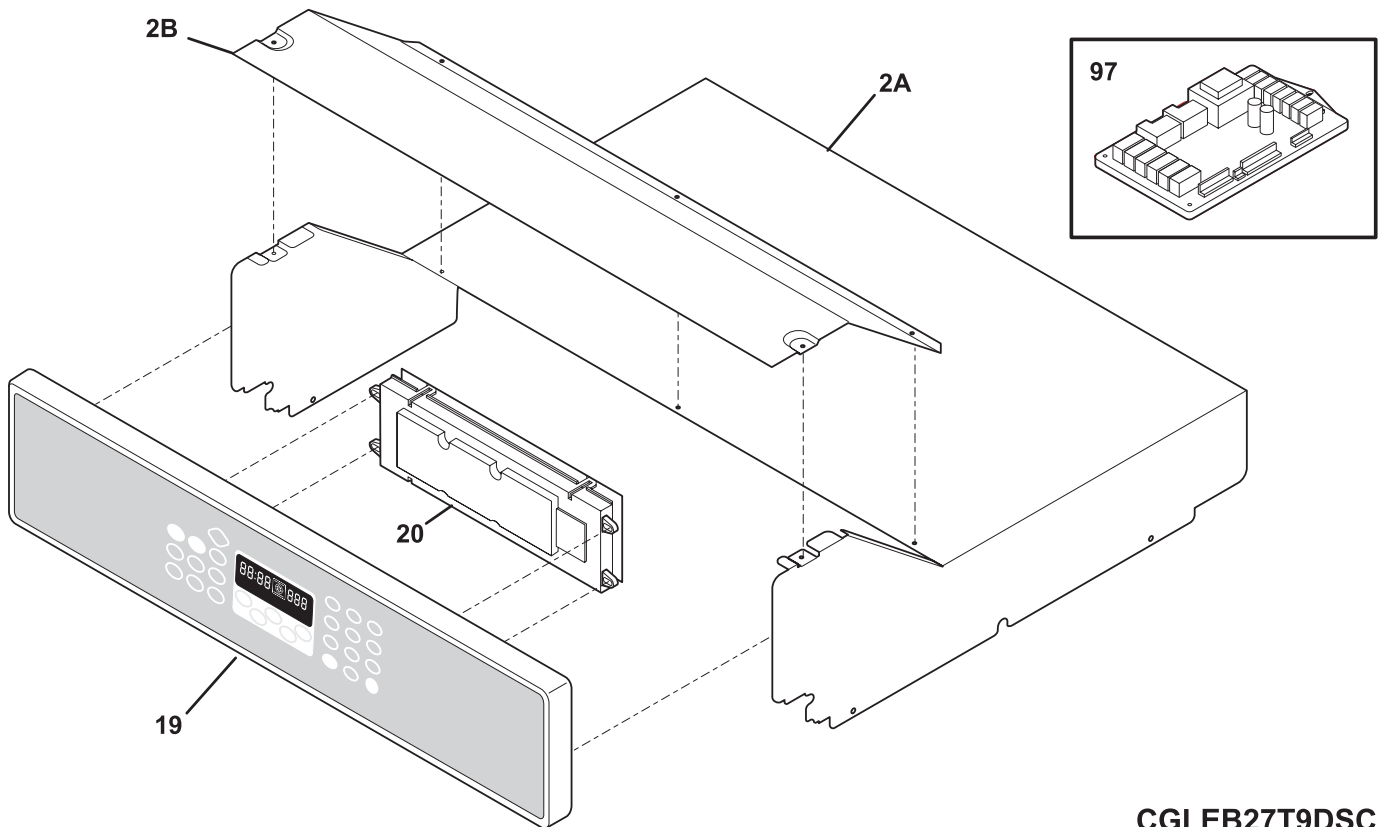
**DOUBLE ELECTRIC  
 WALL OVEN**

**Model No.  
 FEB30T6D**

Copyright © 2006 Electrolux Home Products, Inc.  
 All rights reserved.

**CONTROL PANEL**

---



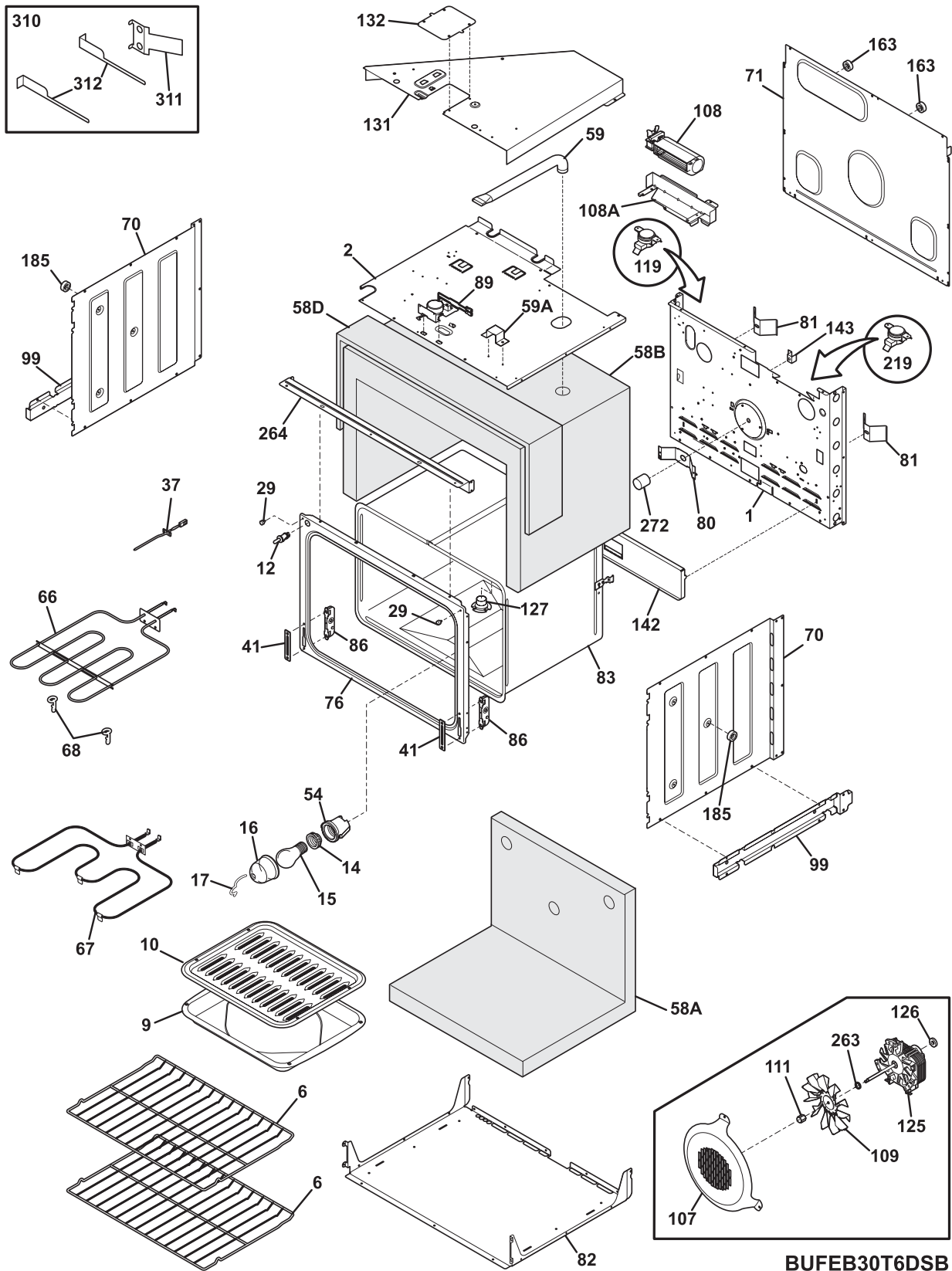
## CONTROL PANEL

---

*Model Index:*   A FEB30T6D (FEB30T6DSC)  
                       B FEB30T6D (FEB30T6DBC)  
                       C FEB30T6D (FEB30T6DQC)

POS. NO	PART NO.		DESCRIPTION
2A	318257300	A B C	Shield, oven top
2B	318260100	A B C	Cover, box
19	318342903	A - -	Control Panel Assembly, glass, white, w/touch pad
19	318342905	- B -	Control Panel Assembly, glass, black, w/touch pad
19	318342904	- - C	Control Panel Assembly, glass, bisque, w/touch pad
20 #	316443804	A B C	Control, electronic, ES610W2, dual oven
97	316443902	A B C	Board, relay, dual oven
*	318231751	A B C	Harness, wiring, control-relay
*	5303211311	A B C	Screw, 8 x 0.500

UPPER OVEN



BUFEB30T6DSB

---

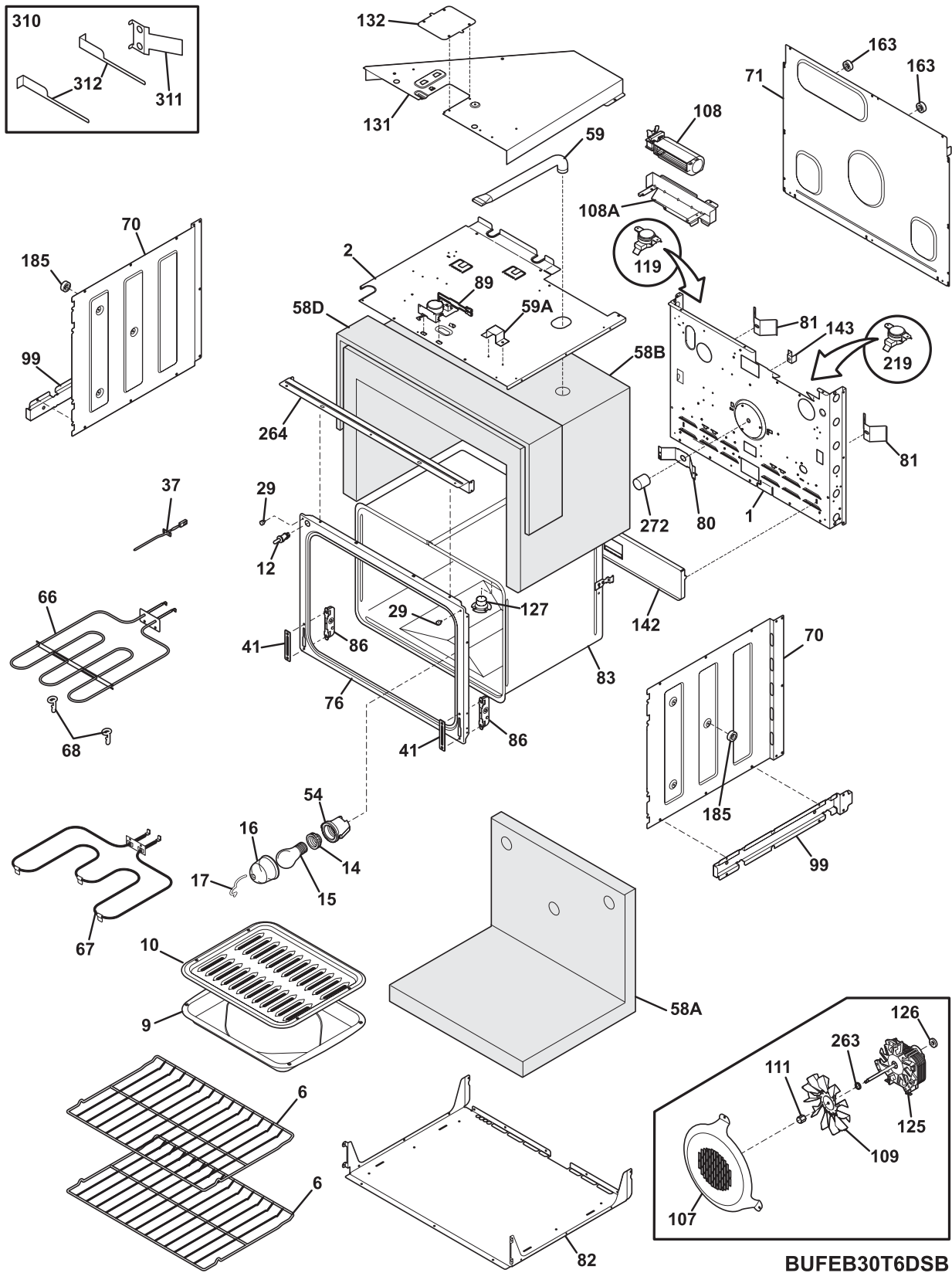
**UPPER OVEN**


---

*Model Index:* A FEB30T6D (FEB30T6DSC)  
 B FEB30T6D (FEB30T6DBC)  
 C FEB30T6D (FEB30T6DQC)

POS. NO	PART NO.		DESCRIPTION
1	318259202	A B C	Back, main
2	318258902	A B C	Shield, insulation, upper
6	318262502	A B C	Rack, oven
9	5303317977	A B C	Pan, broiler
10	5303317976	A B C	Insert, broiler pan
12 #	318089917	A B C	Switch, light
14	318224000	A B C	Receptacle, oven light
14*	318268099	A B C	Insulation, oven light
15	5303013071	A B C	Bulb/Lamp, light
16	3201911	A B C	Cover, oven light, glass
17	5304400195	A B C	Retainer, light cover
29	318147411	A B C	Bumper, (2)
37 #	316217002	A B C	Probe, oven temp
41	5303310526	A B C	Cover, hinge cutout
*	5303325980	A B C	Screw, 10-32 x 0.437
54	318222400	A B C	Housing, oven light
58A	318285055	A B C	Insulation, oven wrapper
58B	318285056	A B C	Insulation, oven back
58D	318285058	A B C	Insulation, 1/2" thick, 43 x 9.5
59	318072560	A B C	Duct, oven vent
59A	318261600	A B C	Bracket, vent tube
66 #	318255600	A B C	Element, broil, 2750W
67 #	318255401	A B C	Element, bake, 3400W
68	5304403015	A B C	Support, hanger, (2), broil element
70	318259100	A B C	Shield, insulation, sides, (2)
71	318260007	A B C	Panel, rear box
76	318056217	A B C	Front, oven
80	5303320846	A B C	Plate, oven mtg
81	318192400	A B C	Spring, oven
82	318258707	A B C	Shield, insulation, lower
83	318261404	A B C	Liner, oven assy
86	5303310524	A B C	Receptacle, hinge
89 #	318261211	A B C	Motor, latch assy
* #	318231750	A B C	Harness, wiring, main, latch
* #	318199744	A B C	Wiring Harness, latch, BAS
* #	318199746	A B C	Wiring Harness, latch, NO BAS
99	318252800	A B C	Support, side
*	5303300265	A B C	Screw, 8-18 X 1/2, (2)
107	318219401	A B C	Cover, fan
108#	318073018	A B C	Motor, blower
*	08016432	A B C	Screw, truss head, 8-18 x 0.375
108A	318251300	A B C	Bracket, fan support
109	316136400	A B C	Blade, fan
111	316136600	A B C	Nut, fan retainer
119#	318004900	A B C	Switch, thermal
125#	316415800	A B C	Motor, fan
125*	5303316994	A B C	Insulation, 3.81 x 3.13
126	318142100	A B C	Washer, motor, RH, convection

UPPER OVEN



---

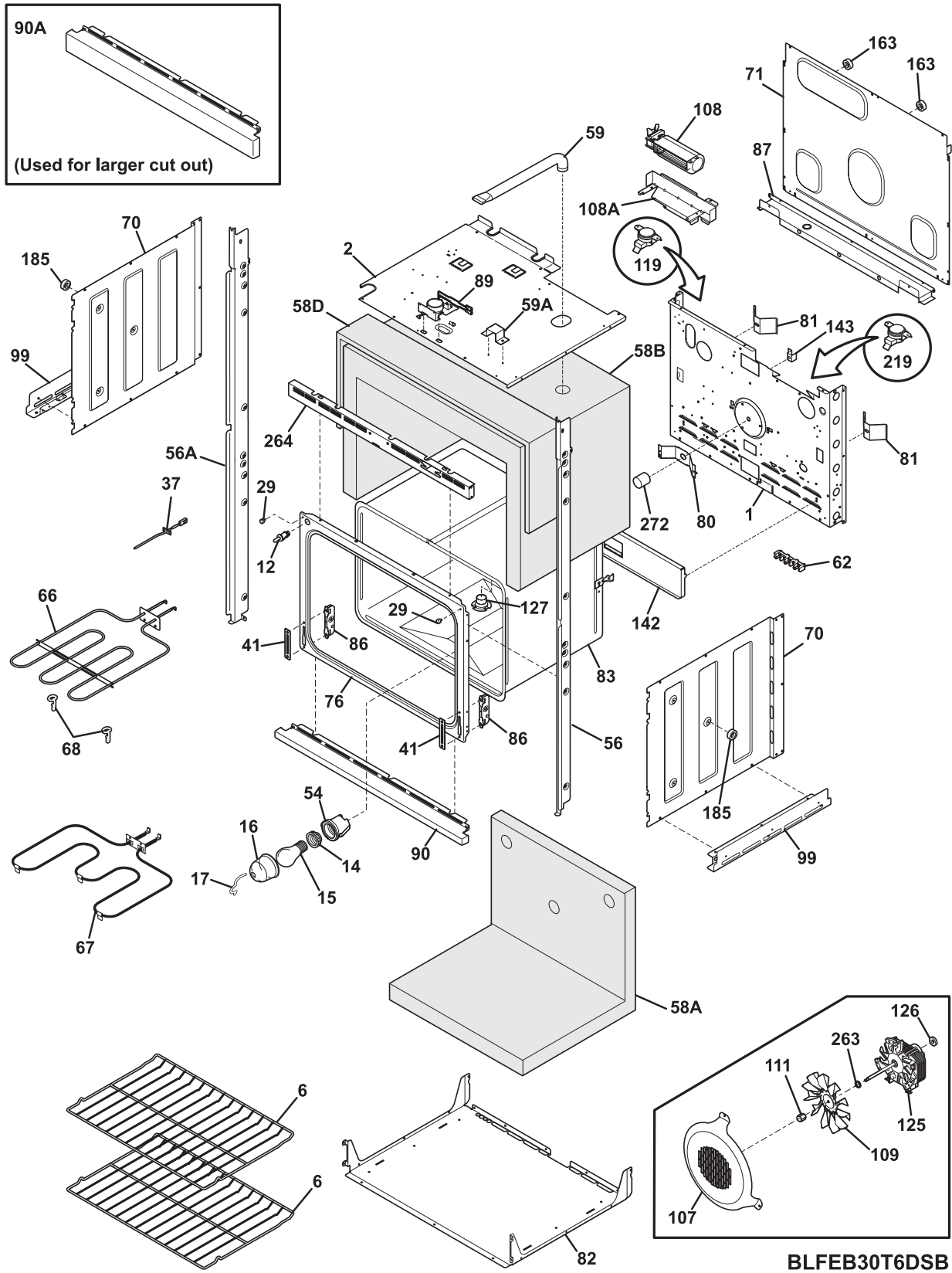
**UPPER OVEN**


---

*Model Index:*   A FEB30T6D (FEB30T6DSC)  
                       B FEB30T6D (FEB30T6DBC)  
                       C FEB30T6D (FEB30T6DQC)

POS. NO	PART NO.		DESCRIPTION
127	318317100	A B C	Adapter Assembly, vent tube, w/converter
131	318272900	A B C	Box, vent
132	318003000	A B C	Plate, shield
142	318123910	A B C	Deflector
143	318172904	A B C	Support, wire
163	318014111	A B C	Spacer
185	318014700	A B C	Spacer, oven shield, (4)
219#	318003614	A B C	Thermostat, safety
263	316136500	A B C	Washer, flat
264	318257701	A B C	Trim, oven, black, front
272	318249401	A B C	Tube, protector
310	5304440067	A B C	Cabinet Mounting Kit
311	318246010	A B C	Bracket, cabinet mtg, (2)
311*	5304438005	A B C	Screw, 6 x 1, black
312	318246702	A B C	Tool, cabinet bracket, RH
312	318246703	A B C	Tool, cabinet bracket, LH
*	3201861	A B C	Screw, 6 x 0.375, (4)
*	5303211311	A B C	Screw, 8 x 0.500
*	5303323277	A B C	Screw, 8-18 X 13/32
*	5304436875	A B C	Screw, 8-18 X 1/2, black

LOWER OVEN



BLFEB30T6DSB

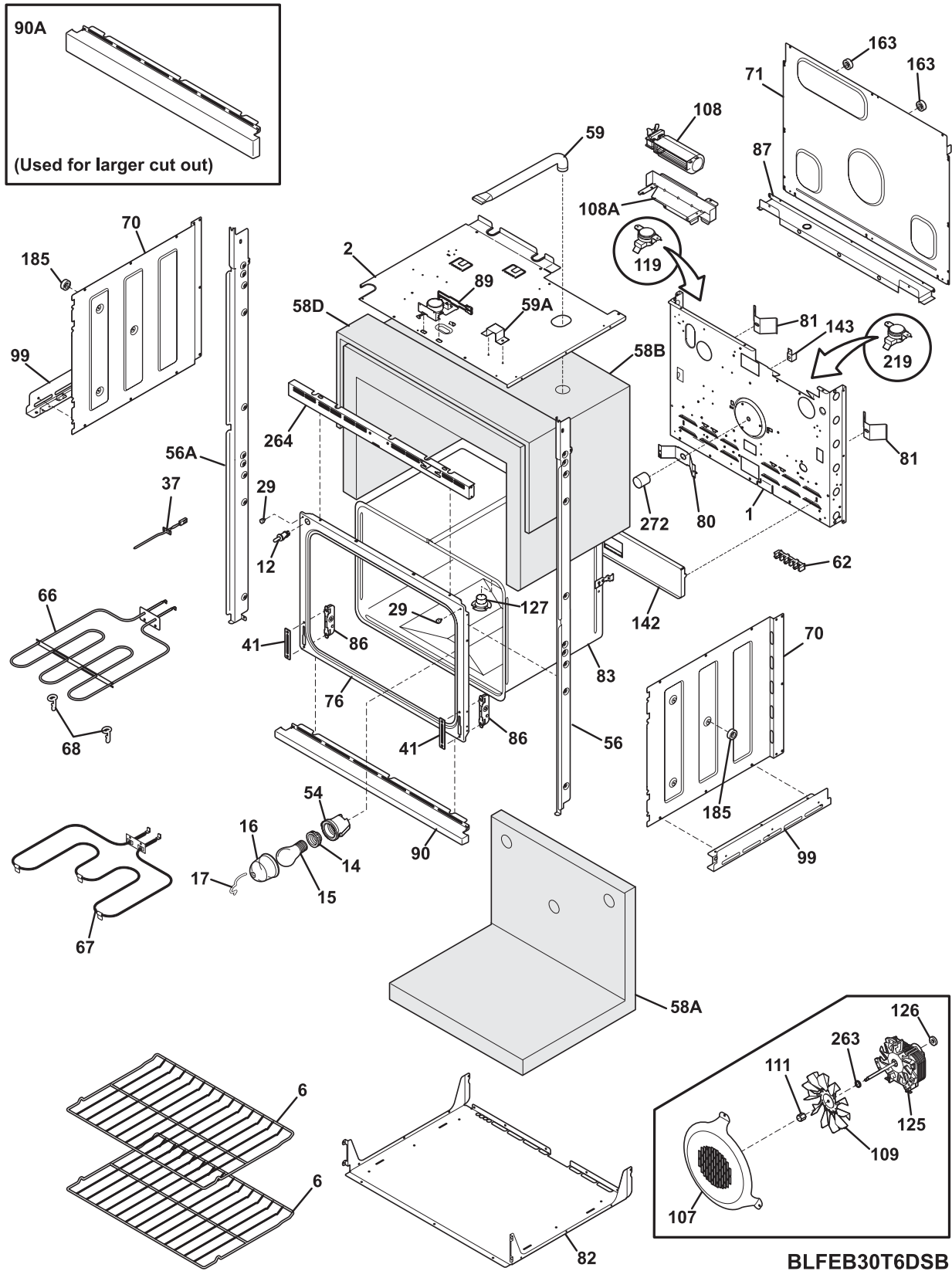


**LOWER OVEN**

*Model Index:* A FEB30T6D (FEB30T6DSC)  
 B FEB30T6D (FEB30T6DBC)  
 C FEB30T6D (FEB30T6DQC)

POS. NO	PART NO.		DESCRIPTION
1	318259202	A B C	Back, main
2	318258902	A B C	Shield, insulation, upper
6	318262502	A B C	Rack, oven
12 #	318089917	A B C	Switch, light
14	318224000	A B C	Receptacle, oven light
14*	318268099	A B C	Insulation, oven light
15	5303013071	A B C	Bulb/Lamp, light
16	3201911	A B C	Cover, oven light, glass
17	5304400195	A B C	Retainer, light cover
29	318147411	A B C	Bumper, (2)
37 #	316217002	A B C	Probe, oven temp
41	5303310526	A B C	Cover, hinge cutout
*	5303325980	A B C	Screw, 10-32 x 0.437
54	318222400	A B C	Housing, oven light
56	318259912	A - -	Trim, side filler, white, RH
56	318259914	- B -	Trim, side filler, black, RH
56	318259916	- - C	Trim, side filler, bisque, RH
56A	318259913	A - -	Trim, side filler, white, LH
56A	318259915	- B -	Trim, side filler, black, LH
56A	318259917	- - C	Trim, side filler, bisque, LH
58A	318285055	A B C	Insulation, oven wrapper
58B	318285056	A B C	Insulation, oven back
58D	318285058	A B C	Insulation, 1/2" thick, 43 x 9.5
59	318072560	A B C	Duct, oven vent
59A	318261600	A B C	Bracket, vent tube
62	316056000	A B C	Terminal Block
62*	5303323139	A B C	Screw, 10-24 x 0.906
62*	5303323144	A B C	Nut, 10-32
66 #	318255600	A B C	Element, broil, 2750W
67 #	318255401	A B C	Element, bake, 3400W
68	5304403015	A B C	Support, hanger, (2), broil element
70	318259100	A B C	Shield, insulation, sides, (2)
71	318260007	A B C	Panel, rear box
71*	318340200	A B C	Bracket, insul. panel
76	318056217	A B C	Front, oven
80	5303320846	A B C	Plate, oven mtg
81	318192400	A B C	Spring, oven
82	318258707	A B C	Shield, insulation, lower
83	318261404	A B C	Liner, oven assy
86	5303310524	A B C	Receptacle, hinge
87	318260600	A B C	Bracket, cable mtg.
89 #	318261211	A B C	Motor, latch assy
* #	318231750	A B C	Harness, wiring, main, latch
* #	318199744	A B C	Wiring Harness, latch, BAS
* #	318199746	A B C	Wiring Harness, latch, NO BAS
90	318259700	A - -	Trim, oven front, white, bottom
90	318259701	- B -	Trim, oven front, black, bottom
90	318259702	- - C	Trim, oven front, bisque, bottom

LOWER OVEN



---

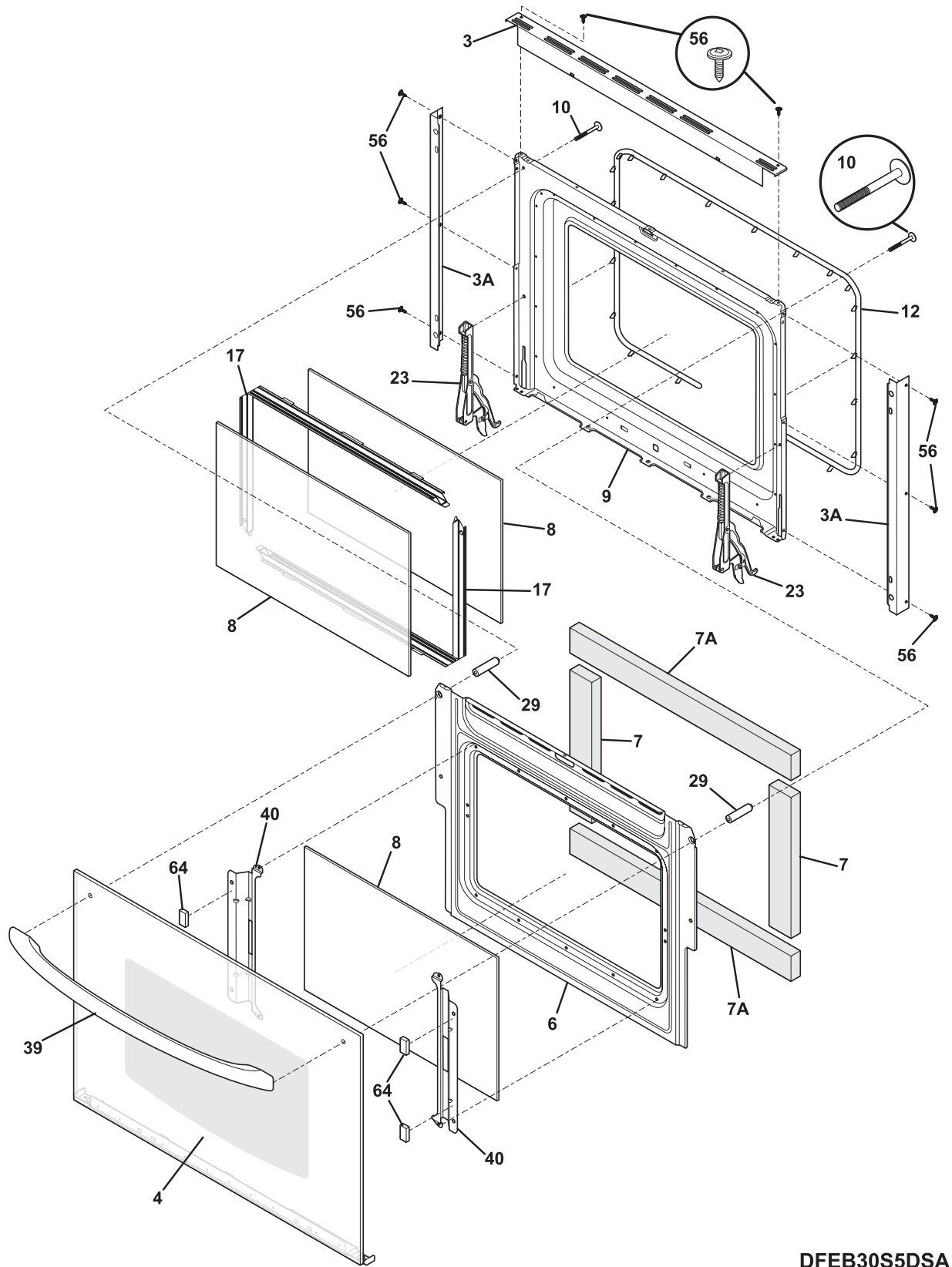
**LOWER OVEN**


---

*Model Index:* A FEB30T6D (FEB30T6DSC)  
 B FEB30T6D (FEB30T6DBC)  
 C FEB30T6D (FEB30T6DQC)

POS. NO	PART NO.		DESCRIPTION
90A	318259703	A - -	Trim, oven front, white, bottom
90A	318259704	- B -	Trim, oven front, black, bottom
90A	318259705	- - C	Trim, oven front, bisque, bottom
99	318256200	A B C	Bracket, side, bottom, (2)
107	318219401	A B C	Cover, fan
108#	318073018	A B C	Motor, blower
*	08016432	A B C	Screw, truss head, 8-18 x 0.375
108A	318251300	A B C	Bracket, fan support
109	316136400	A B C	Blade, fan
111	316136600	A B C	Nut, fan retainer
119#	318004900	A B C	Switch, thermal
125#	316415800	A B C	Motor, fan
125*	5303316994	A B C	Insulation, 3.81 x 3.13
126	318142100	A B C	Washer, motor, RH, convection
127	318317100	A B C	Adapter Assembly, vent tube, w/converter
142	318123910	A B C	Deflector
143	318172904	A B C	Support, wire
163	318014111	A B C	Spacer
185	318014700	A B C	Spacer, oven shield, (4)
219#	318003614	A B C	Thermostat, safety
263	316136500	A B C	Washer, flat
264	318257801	A B C	Trim, oven, black, front
272	318249401	A B C	Tube, protector
* #	318078543	A B C	Box & wires assy
*	318231747	A B C	Harness, wiring, main
*	5303323136	A B C	Screw ground
*	3201861	A B C	Screw, 6 x 0.375, (4)
*	5303211311	A B C	Screw, 8 x 0.500
*	5303323277	A B C	Screw, 8-18 X 13/32
*	5304436875	A B C	Screw, 8-18 X 1/2, black

DOORS



DFEB30S5DSA

## DOORS

---

*Model Index:*   A FEB30T6D (FEB30T6DSC)  
                       B FEB30T6D (FEB30T6DBC)  
                       C FEB30T6D (FEB30T6DQC)

POS. NO	PART NO.		DESCRIPTION
3	318260201	A B C	Trim, oven door, black, upper
3A	318260401	A B C	Trim, oven door, side, (2)
4	318261301	A - -	Glass Assy., oven door, white, outer, w/trim
4	318261300	- B -	Glass Assy., oven door, black, outer, w/trim
4	318261302	- - C	Glass Assy., oven door, bisque, outer, w/trim
6	318260500	A B C	Baffle, door
7	318285057	A B C	Insulation, oven door
7A	318285062	A B C	Insulation, oven door
8	316117500	A B C	Glass, oven door, heat barrier
9	318259601	A B C	Liner, oven door
10	5304416408	A B C	Screw, 10-24 x 1.750, handle mtg
12	318053120	A B C	Seal, door, upper oven
17	316402403	A B C	Spacer, door glass, (2)
23	5303310828	A B C	Hinge, oven door, (2)
29	318014402	A B C	Spacer, door
39	316203001	A - -	Handle, door, white
39	318231200	- B -	Handle, black
39	316203003	- - C	Handle, door, bisque
40	318242700	A B C	Bracket, glass holder, (2)
56	5304436875	A B C	Screw, 8-18 X 1/2, black
64	318165800	A B C	Spacer, (2)
*	5303323277	A B C	Screw, 8-18 X 13/32

WIRING DIAGRAM

