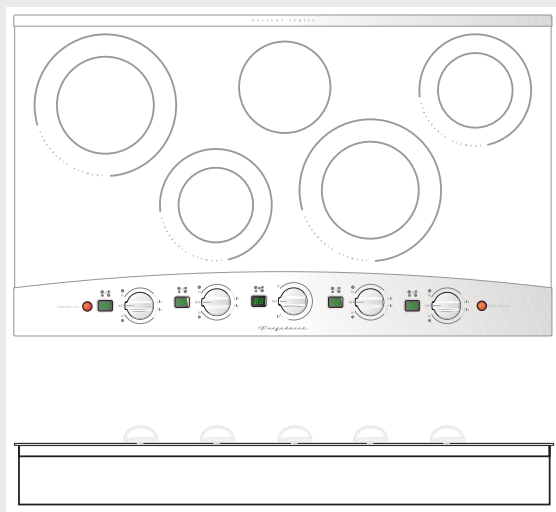


Frigitaire

Factory Parts Catalog



Product No.	GLEC36S9EBA	GLEC36S9EBB	GLEC36S9EOA	GLEC36S9EQB	GLEC36S9ESA	GLEC36S9ESB
	3805642365061	3805642365062	3805644365041	3805644365042	3805643365011	3805643365012
Series	36" elec	36" elec	36" elec	36" elec	36" elec	36" elec
Color	black	black	bisque	bisque	white	white
Market	North America	North America	North America	North America	North America	North America
Wiring Diagram	318046814	318046814	318046814	318046814	318046814	318046814
Owner's Guide	318200626	318200626	318200626	318200626	318200626	318200626
Installation Instructions	318201427	318201427	318201427	318201427	318201427	318201427

Electrolux Major Appliances
 North & Latin America
 P.O. BOX 212378
 AUGUSTA, GA 30917

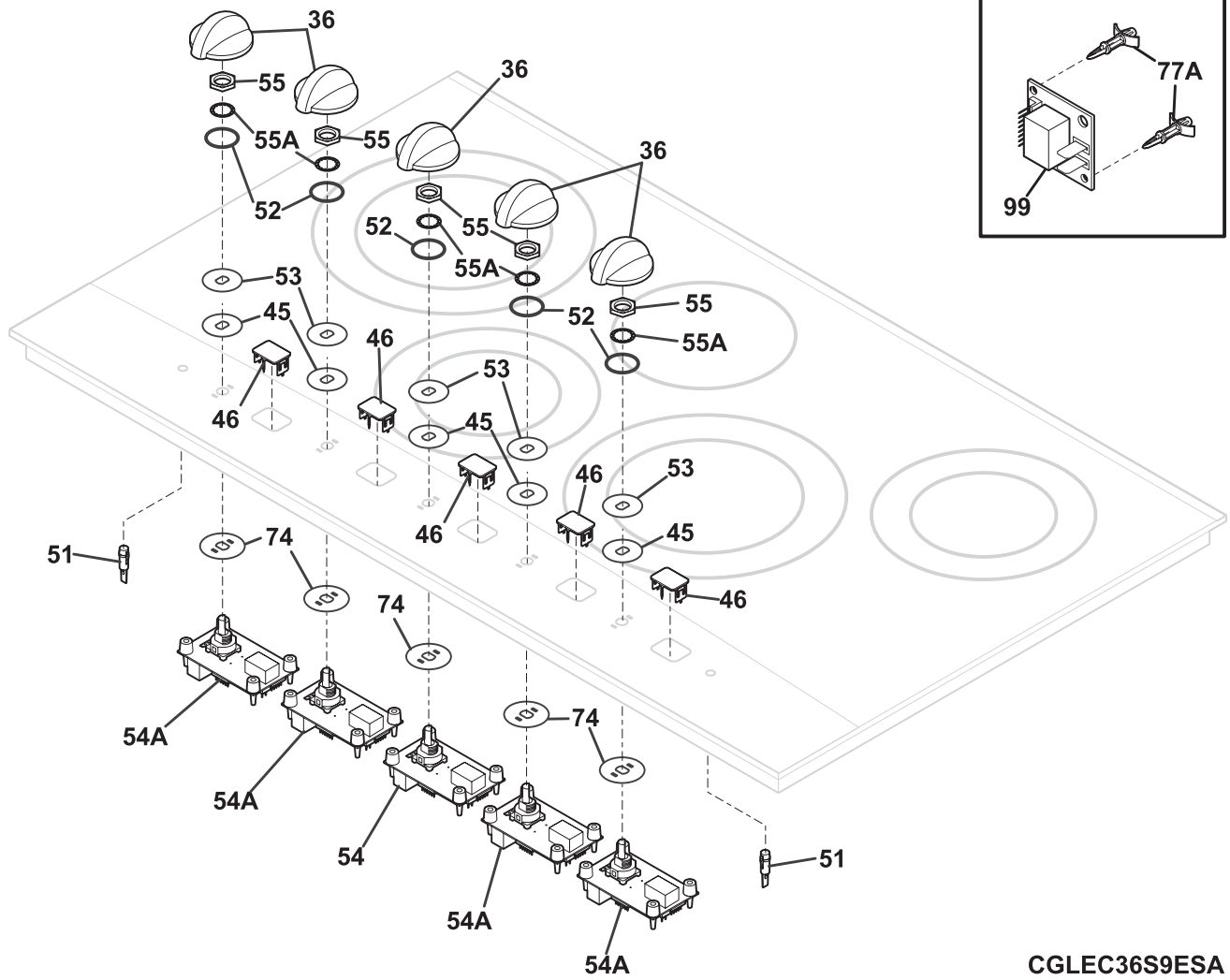
Publication No.
5995453080
 05/11/02
 (EN/SERVICE/ECL)
 377

**ELECTRIC COOK-TOP
 RANGE**

**Model No.
 GLEC36S9E**

Copyright © 2005 Electrolux Home Products, Inc.
 All rights reserved.

CONTROL PANEL



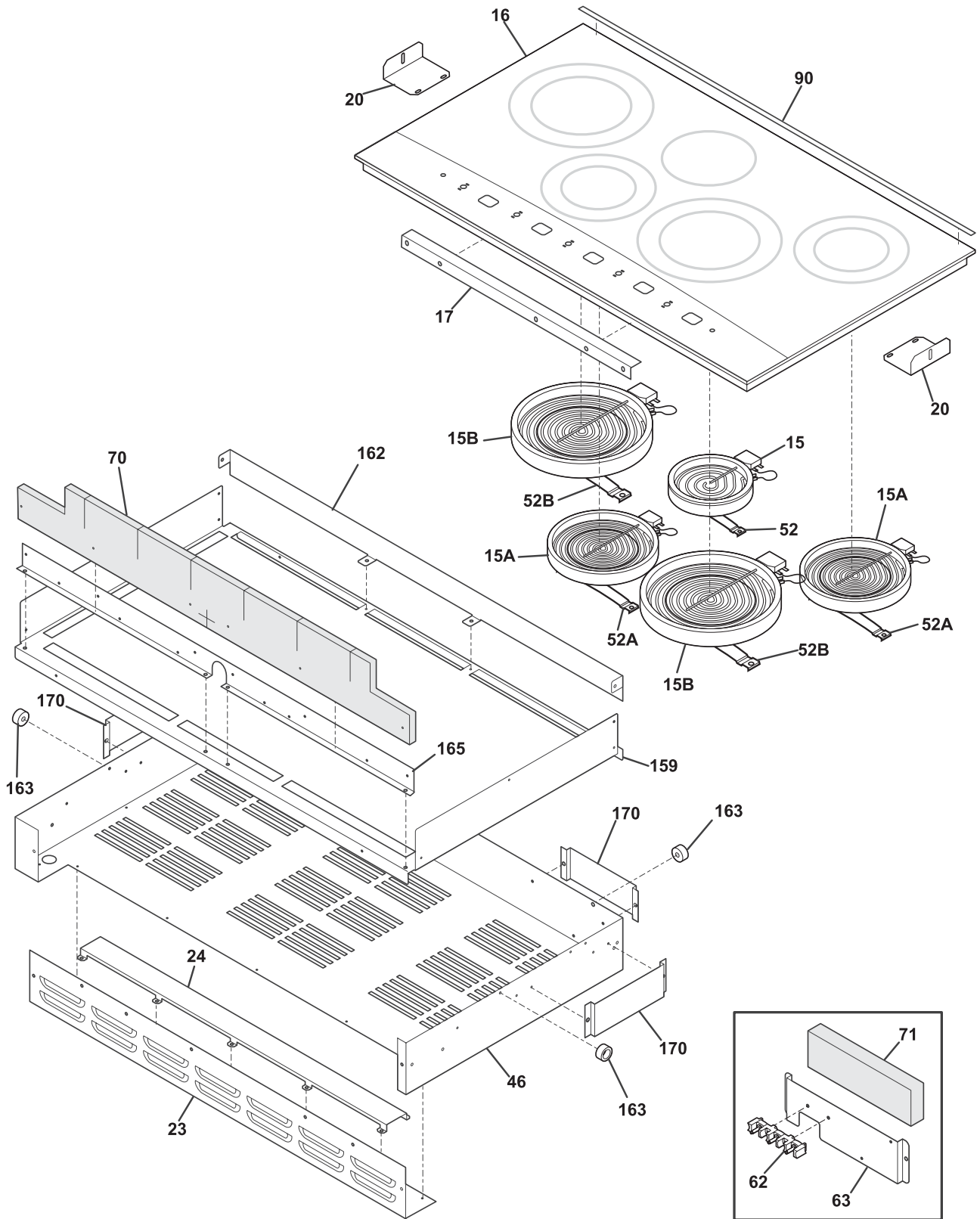
CGLEC36S9ESA

CONTROL PANEL

Model Index: A GLEC36S9E (GLEC36S9EBA)
 B GLEC36S9E (GLEC36S9EBB)
 C GLEC36S9E (GLEC36S9EQA)
 D GLEC36S9E (GLEC36S9EQB)
 E GLEC36S9E (GLEC36S9ESA)
 F GLEC36S9E (GLEC36S9ESB)

POS. NO	PART NO.		DESCRIPTION
36	318197632	A B - - - -	Knob, control, black
36	318197631	- - C D - -	Knob, control, bisque
36	318197630	- - - - E F	Knob, control, white
45	318146012	A B C D E F	Bushing, switch, (6)
46	318319001	A B C D E F	Lens, indicator light, green, (5)
51 #	318337201	A B C D E F	Light, indicator, red, (2)
52	318337100	A B C D E F	Gasket, o'ring, (5)
53	318086003	A B C D E F	Flat washer, stainless, (5)
54 #	316443400	A B C D E F	Control, electronic, single element, (1)
54A#	316443401	A B C D E F	Control, electronic, dual element, (4), w/potentiometer
55	316247700	A B C D E F	Nut, hex control mtg, (5)
55A	316247800	A B C D E F	Washer, lock, (5), control mtg
74	318146011	A B C D E F	Bushing, switch
77A	316114100	A B C D E F	Spacer, (2)
99	316435702	A B C D E F	Board, power supply
*	318083040	A B C D E F	Harness, wiring, to transformer
*	318083042	A B C D E F	Harness, wiring, to controls
*	5303308449	A B C D E F	Fastener, wire tie

MAIN TOP/SURFACE UNITS



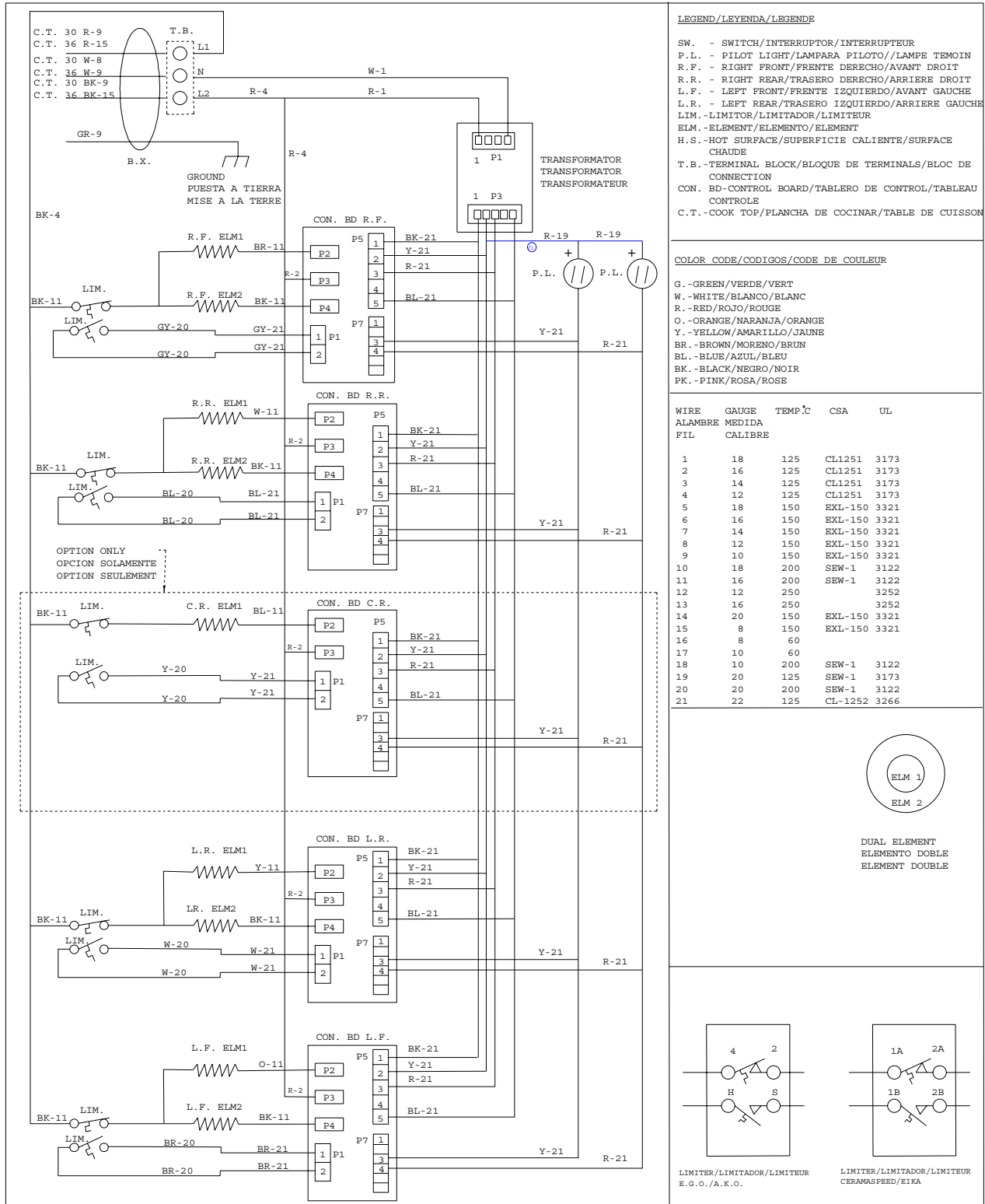
MGLEC36S9ESA

MAIN TOP/SURFACE UNITS

Model Index: A GLEC36S9E (GLEC36S9EBA)
 B GLEC36S9E (GLEC36S9EBB)
 C GLEC36S9E (GLEC36S9EQA)
 D GLEC36S9E (GLEC36S9EQB)
 E GLEC36S9E (GLEC36S9ESA)
 F GLEC36S9E (GLEC36S9ESB)

POS. NO	PART NO.						DESCRIPTION	
15 #	318198817	A	B	C	D	E	F	Element, surface, 6", 1200 W, (2)
15A#	316419901	A	-	C	-	E	-	Element, surface, dual, 750W/1800W, (2)
15A#	318198930	-	B	-	D	-	F	Element, surface, dual, 750/1800W, (2)
15B#	318198925	A	B	C	D	E	F	Element, surface, 6/9, 1200/2500W, dual radiant
16	318323327	A	B	-	-	-	-	Maintop Assembly, black, w/trim
16	318323326	-	-	C	D	-	-	Maintop Assembly, bisque, w/trim
16	318323325	-	-	-	-	E	F	Maintop Assembly, white, w/trim
17	318341001	A	B	C	D	E	F	Bracket, trim holder, black
20	318121902	A	B	C	D	E	F	Bracket, retainer
23	318194711	A	B	C	D	E	F	Panel, service, black
24	318319201	A	B	C	D	E	F	Deflector, service panel
46	318077251	A	B	C	D	E	F	Burner Box
52	318122006	A	B	C	D	E	F	Spring, element mtg, small
52A	318122010	A	B	C	D	E	F	Spring, element mtg, 1000W/2500W
52B	318122008	A	B	C	D	E	F	Spring, element mtg
62	316056000	A	B	C	D	E	F	Terminal Block
63	318310600	A	B	C	D	E	F	Bracket, terminal block
*	5303211311	A	B	C	D	E	F	Screw, 8 x 0.500
70	318285092	A	B	C	D	E	F	Insualtion
71	318285093	A	B	C	D	E	F	Insualtion, 2 X 7 X 1/2
90	318338402	A	B	-	-	-	-	Trim, black, rear, w/tape
90	318338401	-	-	C	D	-	-	Trim, bisque, rear, w/tape
90	318338400	-	-	-	-	E	F	Trim, white, rear, w/tape
159	318125159	A	B	C	D	E	F	Deflector
162	318161408	A	B	C	D	E	F	Deflector
163	318014110	A	B	C	D	E	F	Spacer, (6)
165	318161413	A	B	C	D	E	F	Deflector
170	318124911	A	B	C	D	E	F	Screen, thermal
* #	318078553	A	B	C	D	E	F	Box & wires assy
*	318199424	A	B	C	D	E	F	Harness, wiring, main
*	318083031	A	B	C	D	E	F	Harness, wiring, limiter
*	318052533	A	B	C	D	E	F	Ground wire, w/terminal
*	5303323140	A	B	C	D	E	F	Screw, ground, 10-32 x 0.375
*	5303308449	A	B	C	D	E	F	Fastener, wire tie
*	08016432	A	B	C	D	E	F	Screw, truss head, 8-18 x 0.375
*	5303307980	A	B	C	D	E	F	Screw, 8-32 x 0.437, (4)

WIRING DIAGRAM



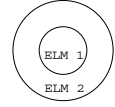
LEGEND/LEYENDA/LEGENDE

SW. - SWITCH/INTERRUPTOR/INTERRUPTEUR
 P.L. - PILOT LIGHT/LAMPARA PILOTO//LAMPE TEMOIN
 R.F. - RIGHT FRONT/FRENTE DERECHO/AVANT DROIT
 R.R. - RIGHT REAR/TRASERO DERECHO/ARRIERE DROIT
 L.F. - LEFT FRONT/FRENTE IZQUIERDO/AVANT GAUCHE
 L.R. - LEFT REAR/TRASERO IZQUIERDO/ARRIERE GAUCHE
 LIM. - LIMITOR/LIMITADOR/LIMITEUR
 ELM. - ELEMEN/TO/ELEMENTO/ELEMENT
 H.S. - HOT SURFACE/SUPERFICIE CALIENTE/SURFACE CHAUDE
 T.B. - TERMINAL BLOCK/BLOQUE DE TERMINALS/BLOC DE CONNECTION
 CON. BD - CONTROL BOARD/TABLERO DE CONTROL/TABLEAU CONTROLE
 C.T. - COOK TOP/PLANCHA DE COCINAR/TABLE DE CUISSON

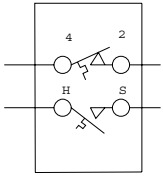
COLOR CODE/CODIGOS/COULEUR

G. - GREEN/VERDE/VERT
 W. - WHITE/BLANCO/BLANC
 R. - RED/ROJO/ROUGE
 O. - ORANGE/NARANJA/ORANGE
 Y. - YELLOW/MARILLO/JAUNE
 BR. - BROWN/MORENO/BRUN
 BL. - BLUE/AZUL/BLEU
 BK. - BLACK/NEGRO/NOIR
 PK. - PINK/ROSA/ROSE

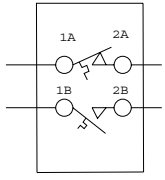
WIRE ALAMBRE	GAUGE MEDIDA	TEMP °C	CSA	UL
FIL	CALIBRE			
1	18	125	CL1251	3173
2	16	125	CL1251	3173
3	14	125	CL1251	3173
4	12	125	CL1251	3173
5	18	150	EXL-150	3321
6	16	150	EXL-150	3321
7	14	150	EXL-150	3321
8	12	150	EXL-150	3321
9	10	150	EXL-150	3321
10	18	200	SEW-1	3122
11	16	200	SEW-1	3122
12	12	250		3252
13	16	250		3252
14	20	150	EXL-150	3321
15	8	150	EXL-150	3321
16	8	60		
17	10	60		
18	10	200	SEW-1	3122
19	20	125	SEW-1	3173
20	20	200	SEW-1	3122
21	22	125	CL-1252	3266



DUAL ELEMENT
ELEMENTO DOBLE
ELEMENT DOUBLE



LIMITER/LIMITADOR/LIMITEUR
E.G.O./A.K.O.



LIMITER/LIMITADOR/LIMITEUR
CERAMASPEED/EIFA

CAUTION: DISCONNECT POWER BEFORE SERVICING UNIT.
ATENCIÓN: CORTAR EL CORRIENTE ANTES DE REALIZAR EL MANTENIMIENTO DEL ELECTRODOMESTICO.
ATTENTION: COUPEZ L'ALIMENTATION AVANT D'EFFECTUER LA REPARATION.

318046814 REV:C