

Frigidaire

Factory Parts Catalog

Product No.	FRU17G4JW7
Series	134A
Color	white
Volts	115
Wiring Diagram	216946200
Owner's Guide	216781800
Market	North America
Energy Guide	216697904

 **Electrolux**

ELECTROLUX HOME PRODUCTS, INC.
P.O. Box 212378, Augusta, GA 30917

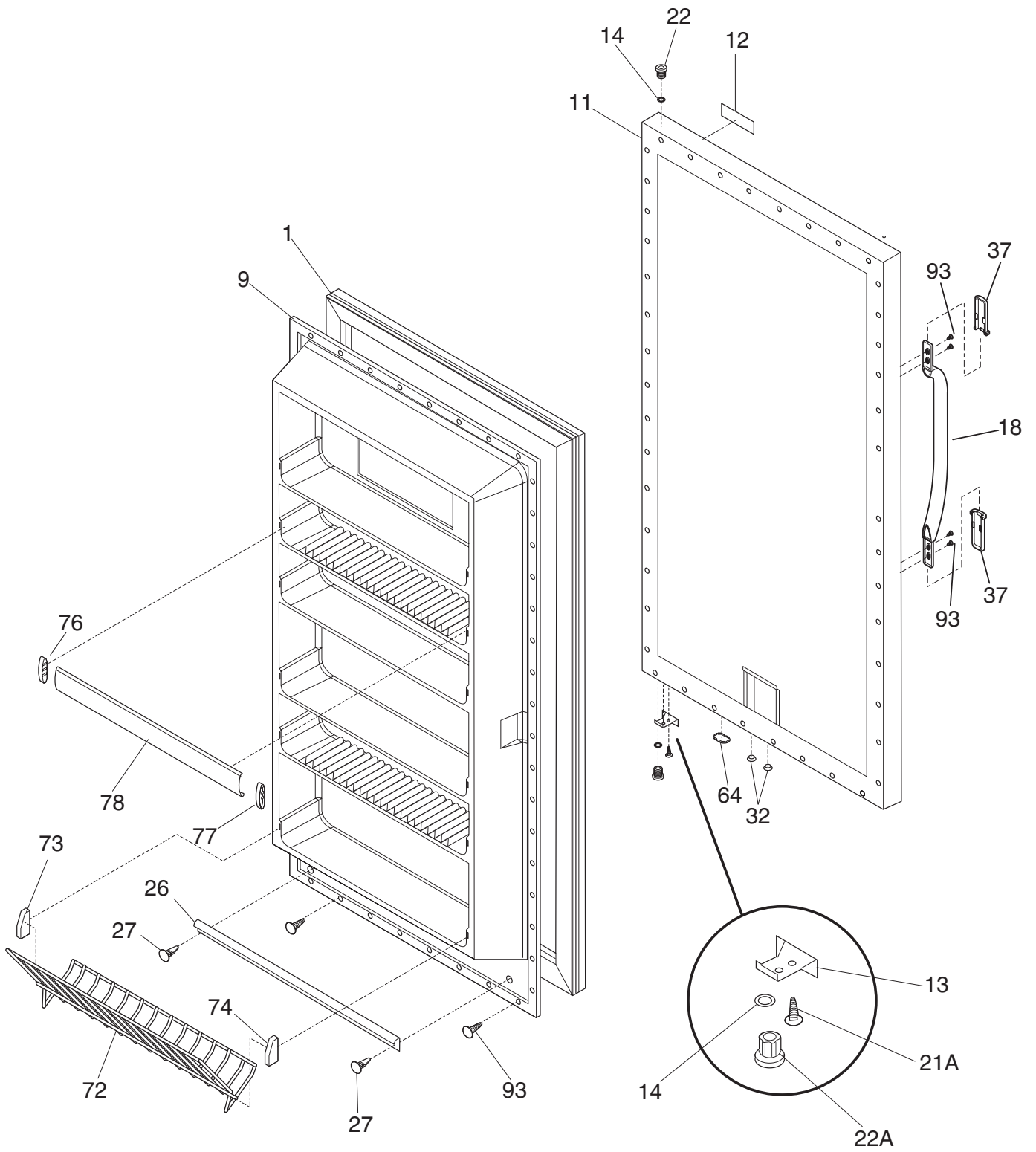
Publication No.
5995414132
04/08/02
(EN/SERVICE/MLR)
365

REFRIGERATOR

Model No.
FRU17G4JW

Copyright © 2004 Electrolux Home Products, Inc.
All rights reserved.

DOOR

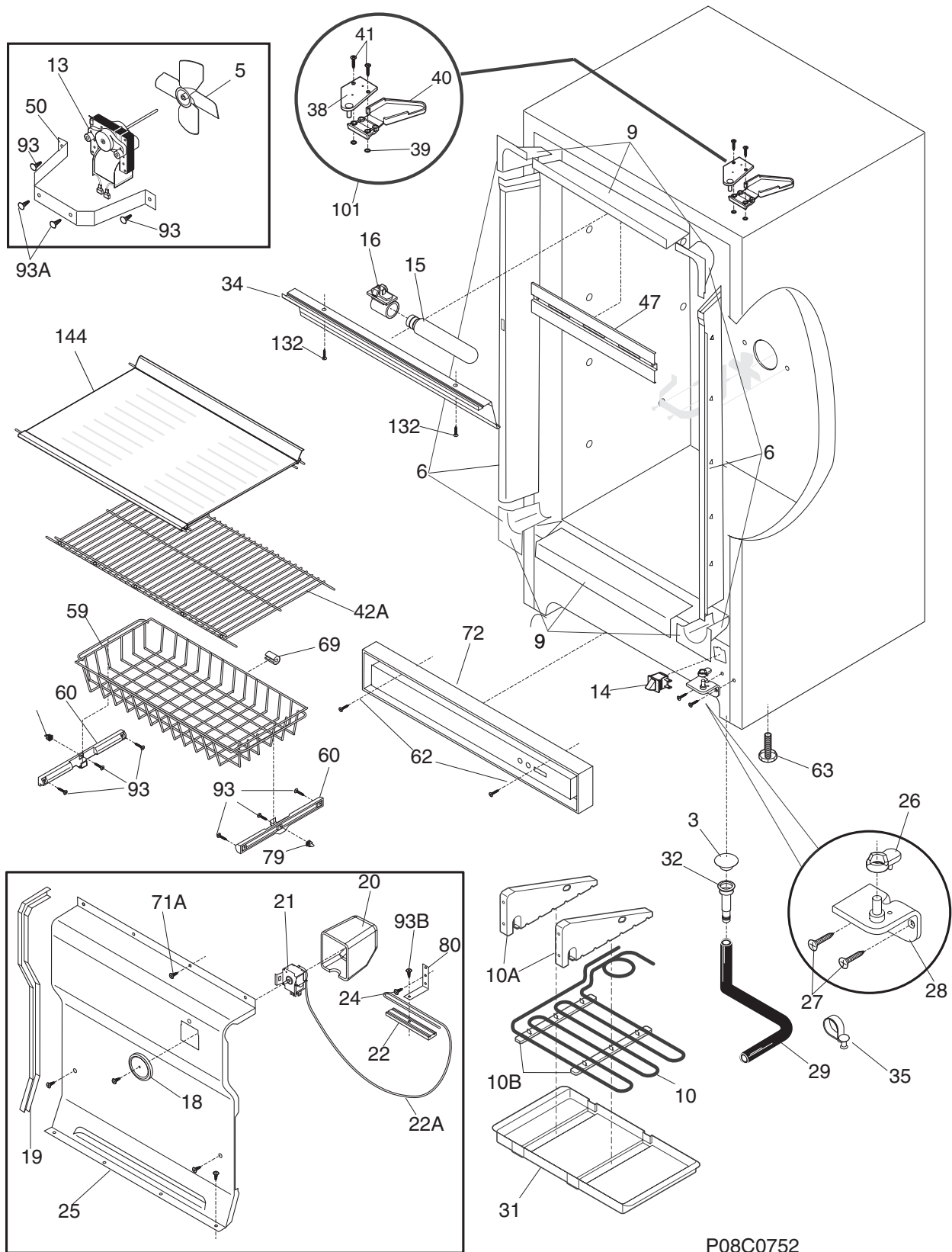


P08D0398

DOOR

POS. NO	PART NO.	DESCRIPTION
1	216522309	Gasket-door, white
9	216527813	Panel-inner door, frzr
11	216526518	Panel-outer door, white
12	240415201	Label-nameplate, white
13	08016354	Door Stop
14	5303313518	Washer, sealing
18	218762701	Handle-door, white
21A	08005520	Screw, door stop mtg, 4.0 x 0.7-19.7, flat hd, metric
22	216443600	Bearing, hinge, top
22A	216503200	Bearing, hinge, bottom
26	216524200	Gasket, secondary
27	5303212828	Clip, panel mtg
32	5309950074	Valve, breather, door base
37	215870619	Trim-handle, 2.47", white, w/chrome band
64	216403700	Plug-button, hole filler, door base
72	216514100	Shelf, tilt out, wire
73	216513900	End Cap, shelf, LH, tilt-out
74	216514000	End Cap, shelf, RH, tilt-out
76	216521800	Support psuedo bin, LH
77	216522100	Support psuedo bin, RH
78	216806100	Rack-door, contour, (4)
93	5303161215	Screw, ph truss head, 8-18AB x 0.500
*	216722100	Harness-lid/defrost

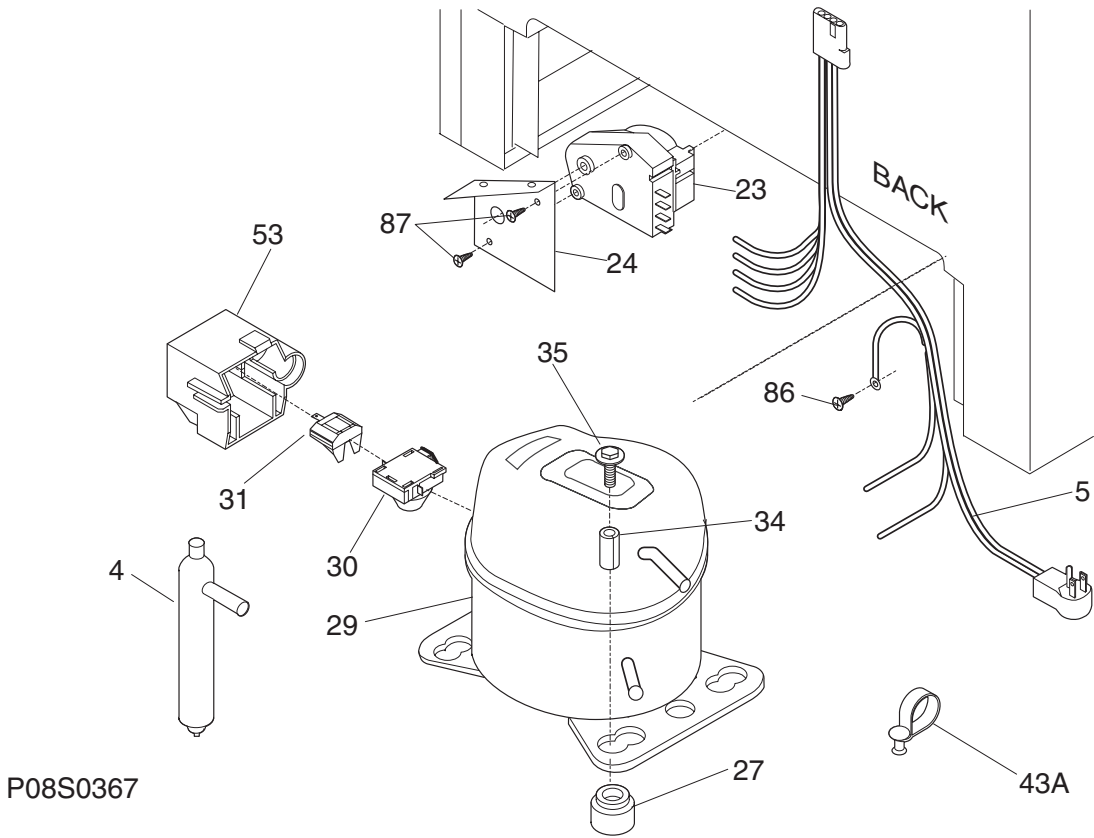
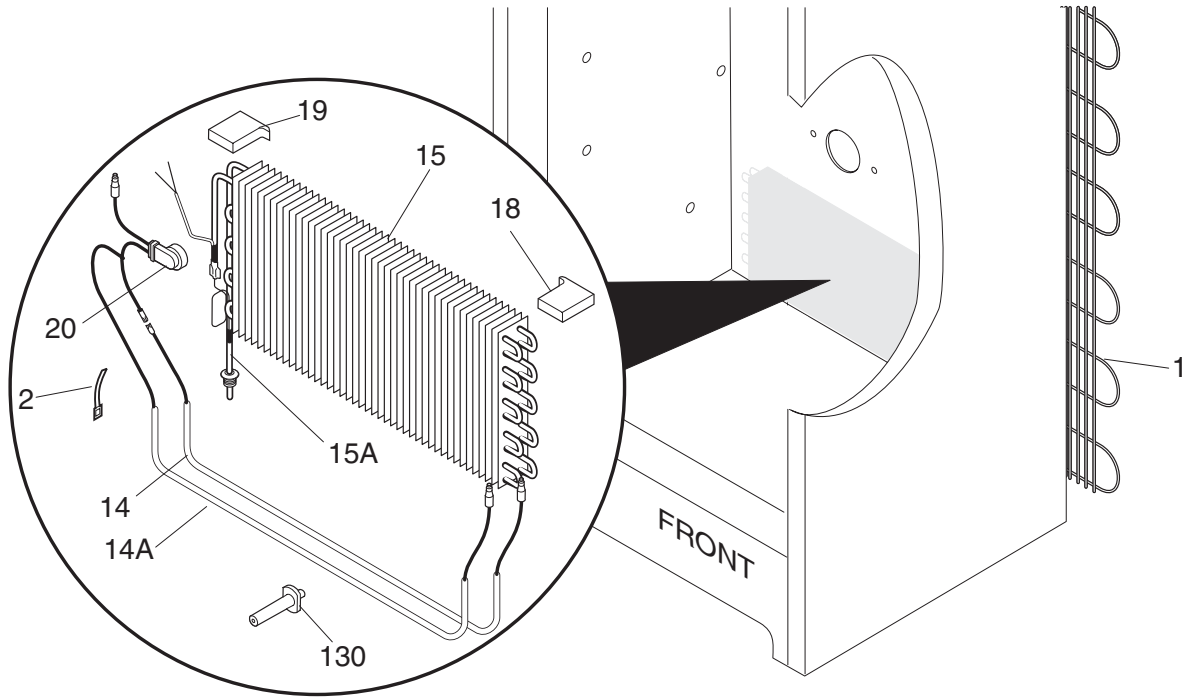
CABINET



CABINET

POS. NO	PART NO.	DESCRIPTION
3	216503100	Screen-drain
5 #	216325600	Fan Blade
6	216604200	Breaker Kit w/corners
9	216603300	Breaker Kit w/corners, 32", top or bottom
10	216740900	Heater-Drain Pan Assy, tubing, formed
10A	216710400	Bracket, top drain pan
10B	216710500	Bracket, btm. drain pan
13 #	216914200	Motor, fan, 115 V
*	216912400	Screw, hex washer head, #8-32 x .500, bracket fan mtr, (2)
14	216822900	Switch, light/lamp, ramp
15	216846400	Light Bulb/Lamp
16	216817600	Socket, light/lamp, 25 W
18	216707200	Knob, temp control
19	216204900	Gasket, evap cover
20	216230300	Cover, temp control
21 #	216807800	Control-temperature
22	216823500	Clamp, cap tube, cold control
22A	5303916855	Tube, sensor sleeve, plastic, clear
24	5300052943	Screw-clamp, truss hd cr, control
25	216820400	Cover-evaporator
26	216503300	Ramp, door closer
27	5303205738	Screw, door stop, 10 (A) x 0.875, btm
28	216247400	Hinge, bottom
29	216313503	Hose-drain
31	216732400	Pan-drain
32	5308005500	Drain
34	216816200	Shield-light
35	216629700	Clip
38	216808900	Hinge, plate, top
39	5303294372	Nut-insert, 1/4-20 UNC, hinge
40	216809000	Cover-hinge
41	216850900	Screw, hex washer hd, 1/4 x 7/8, hinge mtg
42A	216458200	Shelf, 12.50x27.88, white
47	216661601	Baffle-plate
50	216394000	Bracket, fan motor mount
59	216372800	Basket, (2)
60	5303212693	Slide-basket, (4)
62	131420300	Screw, cr truss head, 8-18AB x 0.750
63	216396900	Screw, leveling foot, plastic, adjustable
69	5305878546	Bumper-basket, (4)
71A	5304416289	Screw, ph truss head, 8-18AB x 0.47, EVAP PANEL
72	216174000	Grille/Kickplate, white
79	3017666	Nut-insert
80	06594601	Bracket, control
93	5303161215	Screw, ph truss head, 8-18AB x 0.500
93A	216629600	Screw, hex washer head, 10-16 x 0.500, tapping
93B	216036600	Screw, ph washer head, 8-32CA x 0.500, thread forming
101	216835200	Top Hinge Kit
132	5303283898	Screw, 6-20AB x 3/8
144	216922300	Shelf-assy, fixed, glass, (3), complete
*	216502400	Grommet-shelf mtg
*	09948773	Insulation, drain tube
*	216946200	Service Data Sheet
*	5303305324	Paint, touch-up, white

SYSTEM



P08S0367

SYSTEM

POS. NO	PART NO.	DESCRIPTION
1 #	5300083897	Condenser
2	5308000110	Strap-evap/heater, aluminum, (2)
4	216634500	Drier-filter
5 #	216945200	Harness-main
14 #	216730700	Heater-defrost
14A#	216730500	Heater-internal
15 #	216737300	Evaporator
15A	216751100	Heat Exchanger
18	216727600	Insulator-evap, styrofoam
19	216727700	Insulator-evap, styrofoam
20	216731000	Thermostat, defrost
23	216744400	Timer, defrost, 12 hour
24	08016580	Bracket
27	5308002681	Grommet, compressor
29 #	216888100	Compressor, w/o electricals
30	216596800	Starter, relay
31 #	216100106	Overload Protector
34	5306594529	Sleeve-compressor, (3)
35	5303272328	Screw, lnd hex sems, 1/4-28 unfx, compressor, (3)
43A	216629700	Clip
53	216347800	Cover terminal, cover-comp term
86	216036600	Screw, ph washer head, 8-32CA x 0.500, thread forming
87	08037849	Screw, ph truss head, 6-32(T) x 0.500, thread cutting
130	216486800	Support, evaporator mtg
*	216502500	Sleeve, suction line