



Frigidaire

Factory Parts Catalog

Product No.	FEB27S5DBA	FEB27S5DSA
	38254731F4061	38254731F4011
Series	27" single	27" single
Color	black	white
Market	North America	North America
Wiring Diagram	318046227	318046227
Owner's Guide	318200924	318200924
Installation Instructions	318201514	318201514
Service Data Sheet	318047413	318047413
Timer Guide	318200189	318200189

 **Electrolux**

ELECTROLUX HOME PRODUCTS, INC.
P.O. Box 212378, Augusta, GA 30917

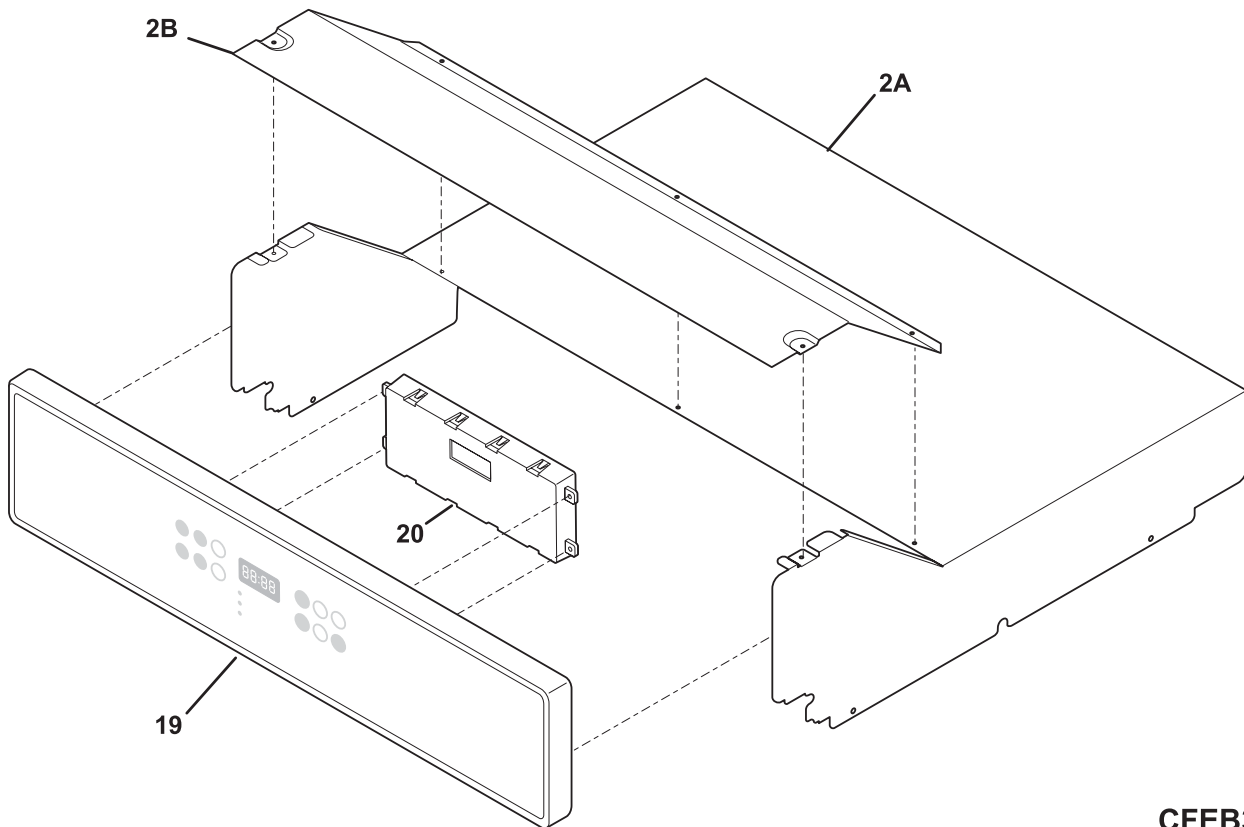
Publication No.
5995420717
04/11/03
(EN/SERVICE/ECL)
377

**SINGLE ELECTRIC
WALL OVEN**

Model No.
FEB27S5D

Copyright © 2004 Electrolux Home Products, Inc.
All rights reserved.

CONTROL PANEL



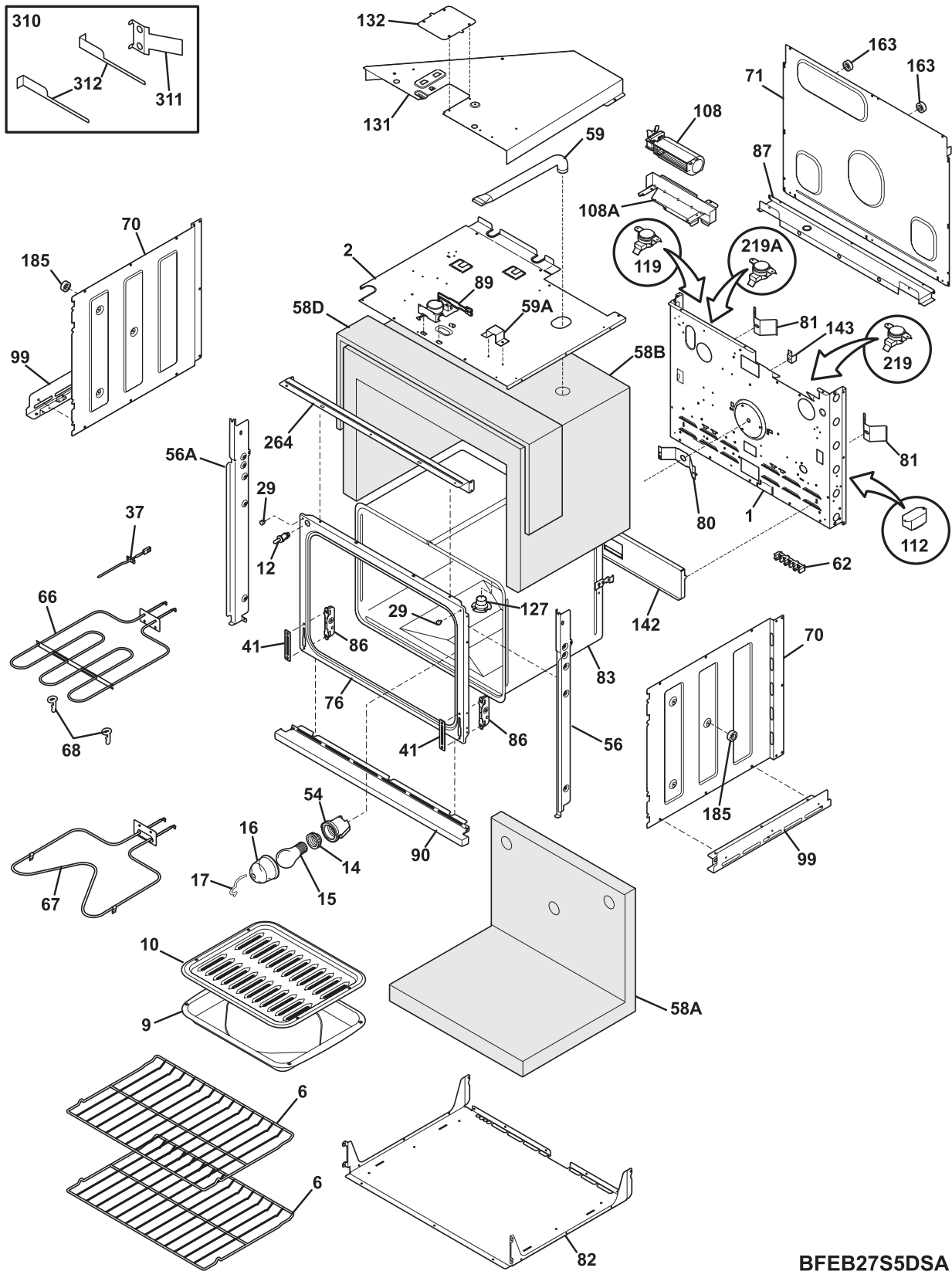
CFEB30S5DSA

CONTROL PANEL

Model Index: A FEB27S5D (FEB27S5DSA)
 B FEB27S5D (FEB27S5DBA)

POS. NO	PART NO.		DESCRIPTION
2A	318257301	A B	Shield, oven top
2B	318260102	A B	Cover, box
19	318274400	A -	Control Panel Assembly, glass, white, w/ touch pad
19	318274401	- B	Control Panel Assembly, glass, black, w/ touch pad
20 #	316418520	A B	Clock/Timer, electronic, ES350W1
*	316021107	A B	Screw, hex head, 8-32, silver
*	5303211311	A B	Screw, 8 x 0.500

BODY



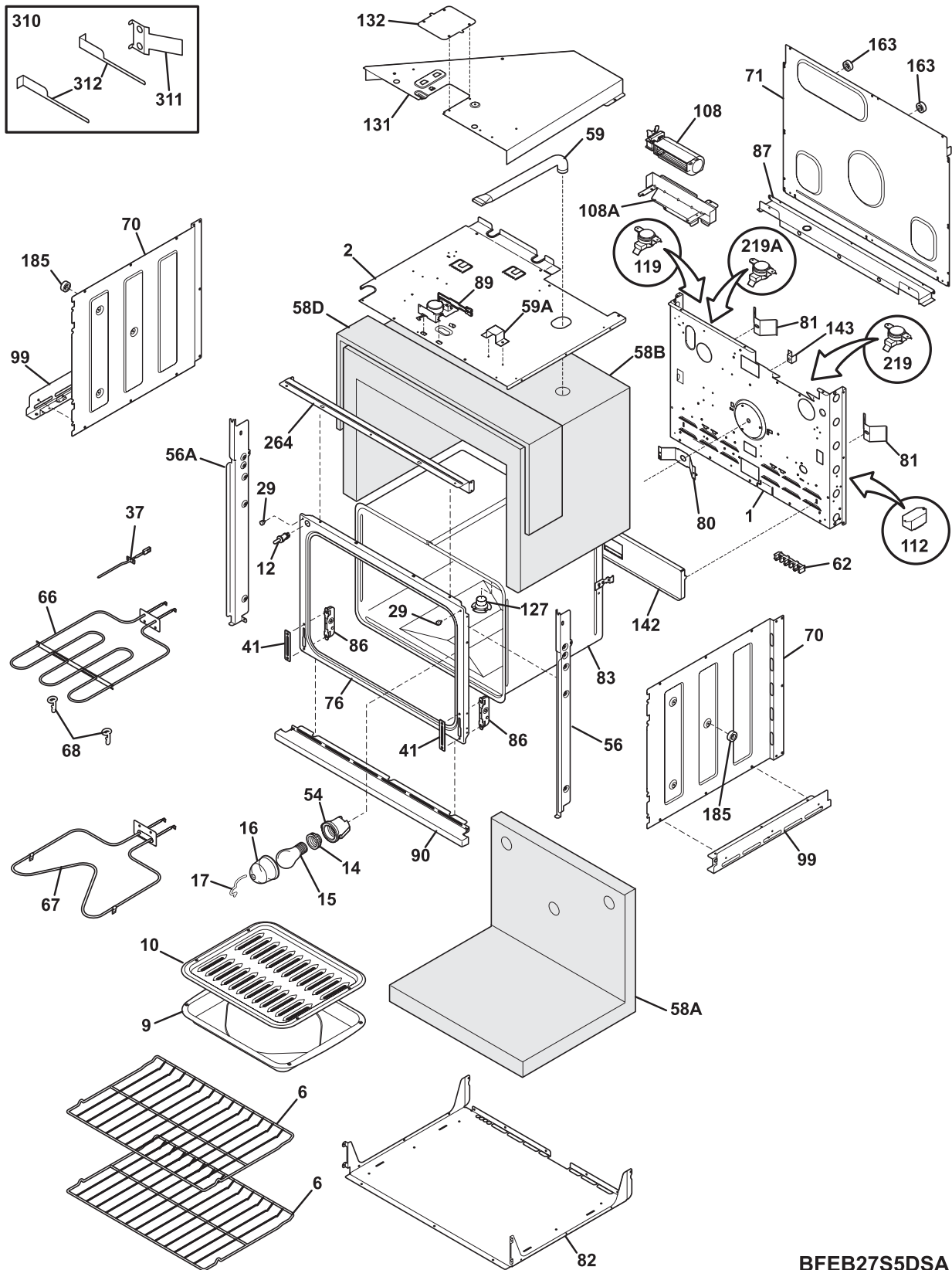
BFEB27S5DSA

BODY

Model Index: A FEB27S5D (FEB27S5DSA)
B FEB27S5D (FEB27S5DBA)

POS. NO	PART NO.		DESCRIPTION
1	318259210	A B	Back, main
2	318258910	A B	Shield, insulation, upper
6	318262602	A B	Rack, oven, (2)
9	5303317977	A B	Pan, broiler
10	5303317976	A B	Insert, broiler pan
12 #	318089917	A B	Switch, light
*	3015722	A B	Clip, wire retainer
14	318224000	A B	Receptacle, oven light
14*	318268099	A B	Insulation, oven light
15	5303013071	A B	Bulb/Lamp, oven light
16	3201911	A B	Cover, oven light, glass
17	5304400195	A B	Retainer, light cover
29	318147411	A B	Bumper, door, (2)
37 #	316217002	A B	Probe, oven temp
41	5303310526	A B	Cover, hinge cutout
54	318222400	A B	Housing, oven light
56	318259902	A -	Trim, side filler, white, RH
56	318259904	- B	Trim, side filler, black, RH
56A	318259903	A -	Trim, side filler, white, LH
56A	318259905	- B	Trim, side filler, black, LH
58A	318133795	A B	Insulation, oven wrapper, back/bottom
58B	318133794	A B	Insulation, oven wrapper, top/sides
58D	318133793	A B	Insulation, 1/2" thick, 43 x 9.5
59	318072560	A B	Duct, oven vent
59A	318261600	A B	Bracket, vent tube
62	316056000	A B	Terminal Block
62*	5303323139	A B	Screw, 10-24 x 0.906
62*	5303323144	A B	Nut, 10-32
66 #	318255601	A B	Element, broil, 3400W
67 #	318255103	A B	Element, bake, 2300W
68	5304403015	A B	Support, element hanger
70	318259100	A B	Shield, insulation, sides, (2)
71	318260001	A B	Panel, rear box
76	318056222	A B	Front, oven
80	5303320846	A B	Plate, oven mtg
81	318192400	A B	Spring, oven
82	318258710	A B	Shield, insulation, lower
83	318261502	A B	Liner, oven assy
86	5303310524	A B	Receptacle, hinge
87	318260601	A B	Bracket, cable mtg.
89#	318261200	A B	Motor, latch assy
90	318259710	A -	Trim, oven front, white, bottom
90	318259711	- B	Trim, oven front, black, bottom
99	318256200	A B	Bracket, side, bottom, (2)
108#	318073018	A B	Motor, blower
*	08016432	A B	Screw, truss head, 8-18 x 0.375
108A	318251300	A B	Bracket, fan support
112#	318112701	A B	Relay
119#	318004900	A B	Switch, thermal

BODY



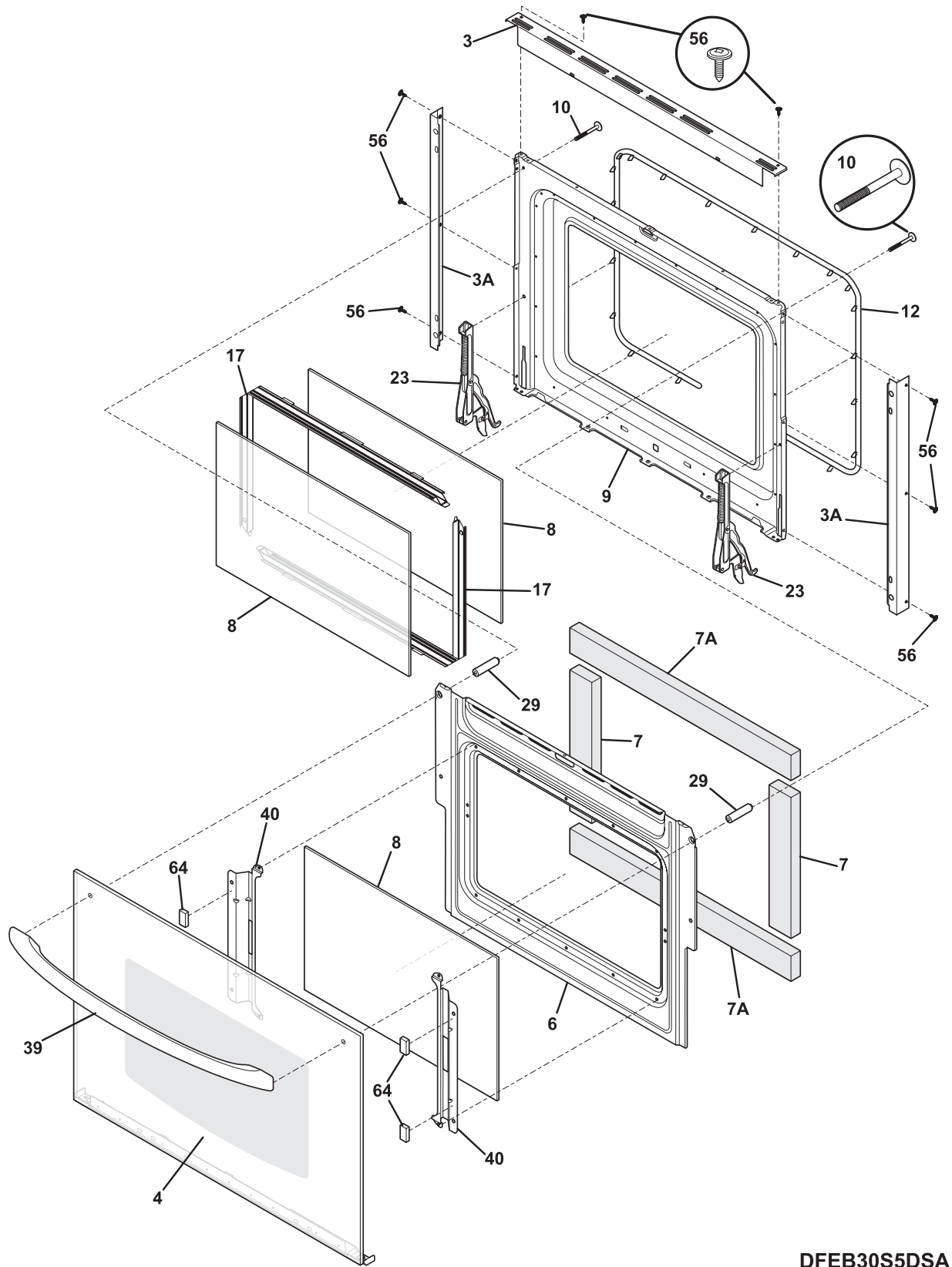
BFEB27S5DSA

BODY

Model Index: A FEB27S5D (FEB27S5DSA)
B FEB27S5D (FEB27S5DBA)

POS. NO	PART NO.		DESCRIPTION
127	5303310542	A B	Adapter, vent tube, with converter
131	318272900	A B	Box, vent
132	318003000	A B	Plate, shield
142	318123910	A B	Deflector
*	5303324184	A B	Screw, 8-18 x 5/16, black, (4)
143	318172904	A B	Support, wire/glass
163	318014111	A B	Spacer
185	318014700	A B	Spacer, oven shield, (4)
219#	318003606	A B	Thermostat, safety
219A	318003613	A B	Thermostat, safety
264	318257711	A B	Trim, oven, black, front
310	5304440067	A B	Cabinet Mounting Kit
311	318246010	A B	Bracket, cabinet mtg, (2)
311*	5304438005	A B	Screw, 6 x 1, black
312	318246702	A B	Tool, cabinet bracket, RH
312	318246703	A B	Tool, cabinet bracket, LH
* #	318078542	A B	Box & wires assy
*	318231719	A B	Harness, wiring, main
*	3201861	A B	Screw, 6 x 0.375, (4)
*	5303211311	A B	Screw, 8 x 0.500
*	5303323136	A B	Screw ground
*	5303323277	A B	Screw, 8-18 X 13/32
*	5304436875	A B	Screw, 8-18 X 1/2, black

DOOR



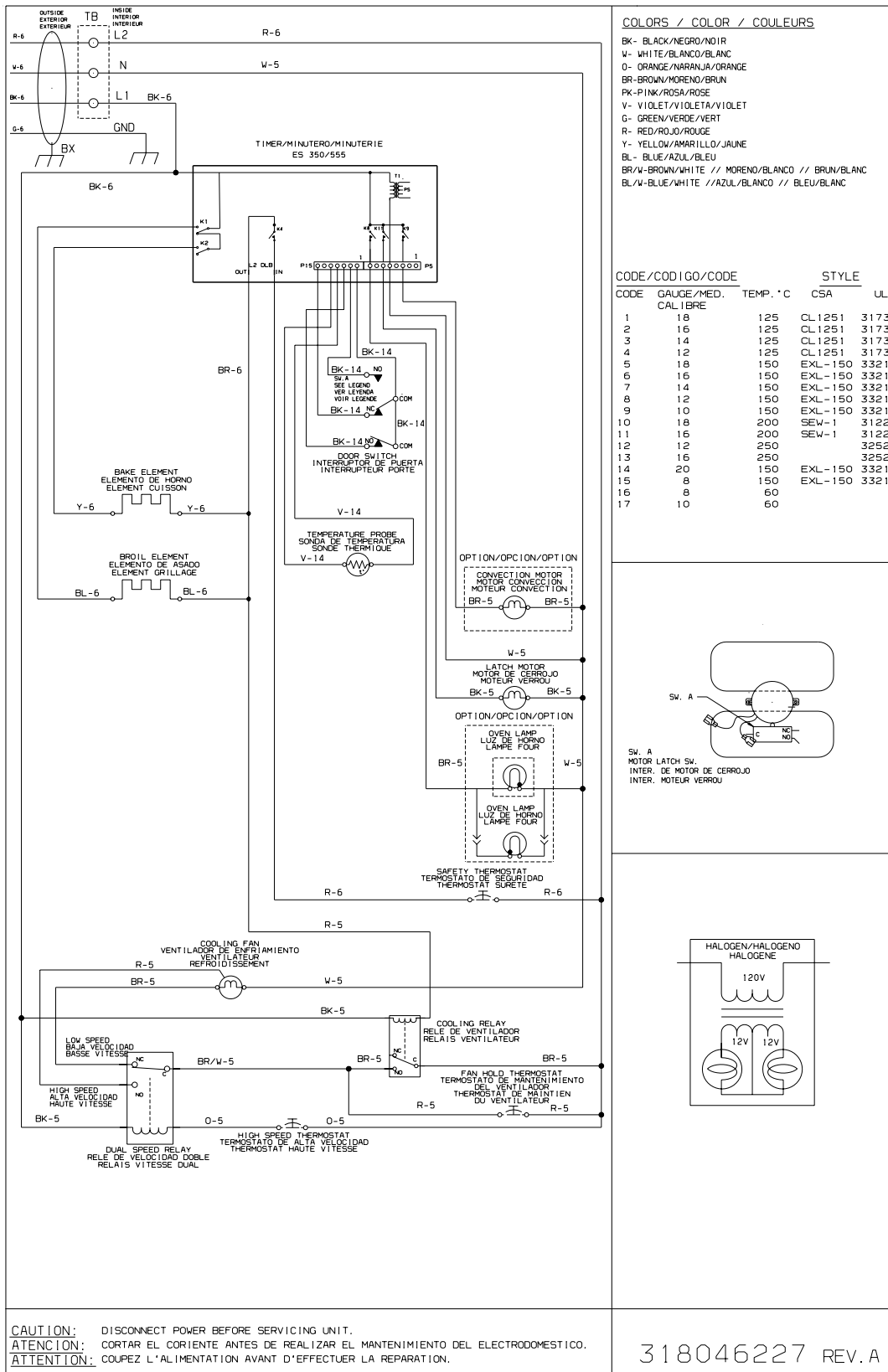
DFEB30S5DSA

DOOR

Model Index: A FEB27S5D (FEB27S5DSA)
 B FEB27S5D (FEB27S5DBA)

POS. NO	PART NO.		DESCRIPTION
3	318260211	A B	Trim, oven door, black, upper
3A	318260401	A B	Trim, oven door, side, (2)
4	318261351	A -	Glass Assy., oven door, white, outer, w/ trim
4	318261350	- B	Glass Assy., oven door, black, outer, w/ trim
6	318260510	A B	Baffle, door
7	318133792	A B	Insulation, oven door
7A	318133796	A B	Insulation, oven door, cavity
8	318212200	A B	Glass, oven door, heat barrier
9	318259611	A B	Liner, oven door, upper
10	5304416408	A B	Screw, 10-24 x 1.750, handle mtg
12	318053125	A B	Seal, upper door
17	318264700	A B	Spacer, glass, (2)
23	318024722	A B	Hinge, upper door, (2)
29	318014402	A B	Spacer, door
39	318264501	A -	Handle, oven door, white
39	318264500	- B	Handle, oven door, black
40	318242700	A B	Bracket, glass holder, (2)
56	5304436875	A B	Screw, 8-18 X 1/2, black
64	318165800	A B	Spacer, (4)
*	08016432	A B	Screw, truss head, 8-18 x 0.375
*	5303211311	A B	Screw, 8 x 0.500
*	5303323277	A B	Screw, 8-18 X 13/32

WIRING DIAGRAM

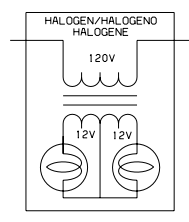
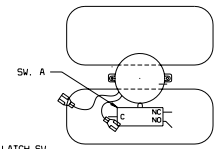


COLORS / COLOR / COULEURS

BK- BLACK/NEGRO/NOIR
 W- WHITE/BLANCO/BLANC
 O- ORANGE/NARANJA/ORANGE
 BR- BROWN/MORENO/BRUN
 PK- PINK/ROSA/ROSE
 V- VIOLET/VIOLETA/VIOLET
 G- GREEN/VERDE/VERT
 R- RED/ROJO/ROUGE
 Y- YELLOW/AMARILLO/JAUNE
 BL- BLUE/AZUL/BLEU
 BR/W- BROWN/WHITE // MORENO/BLANCO // BRUN/BLANC
 BL/W- BLUE/WHITE // AZUL/BLANCO // BLEU/BLANC

CODE / CODIGO / CODE

CODE	GAUGE / MED. CALIBRE	TEMP. °C	CSA	STYLE	UL
1	18	125	CL 1251	3173	
2	16	125	CL 1251	3173	
3	14	125	CL 1251	3173	
4	12	125	CL 1251	3173	
5	18	150	EXL-150	3321	
6	16	150	EXL-150	3321	
7	14	150	EXL-150	3321	
8	12	150	EXL-150	3321	
9	10	150	EXL-150	3321	
10	18	200	SEW-1	3122	
11	16	200	SEW-1	3122	
12	12	250		3252	
13	16	250		3252	
14	20	150	EXL-150	3321	
15	8	150	EXL-150	3321	
16	8	60			
17	10	60			



CAUTION: DISCONNECT POWER BEFORE SERVICING UNIT.
ATENCIÓN: CORTAR EL CORRIENTE ANTES DE REALIZAR EL MANTENIMIENTO DEL ELECTRODOMESTICO.
ATTENTION: COUPEZ L'ALIMENTATION AVANT D'EFFECTUER LA REPARATION.

318046227 REV. A