

# Installation Instructions

## 27" Built-In Wall Oven

JKP20, JKP25, JKP28, JKP48, JKP50, JK915, JK955, JKS06, ZEK938, ZEK958

If you have questions, call 1.800.GE.CARES or visit our website at: [www.GEAppliances.com](http://www.GEAppliances.com)

### Before You Begin

Read these instructions carefully and completely.

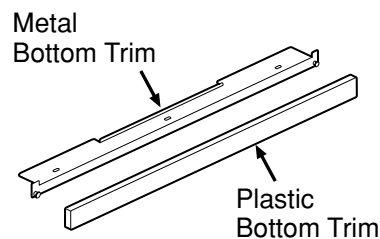
- **IMPORTANT**—Save these instructions for local inspector's use.
- **IMPORTANT**—Observe all governing codes and ordinances.
- **Note to Installer**—Be sure to leave these instructions with the consumer.
- **Note to Consumer**—Keep these instructions for future reference.

- Proper installation is the responsibility of the installer and product failure due to improper installation is **NOT** covered under warranty.
- **NOTE**—This appliance must be properly grounded.
- **ATTENTION INSTALLER**  
All electric wall ovens must be hard wired (direct wired) into an approved junction box. A plug and receptacle is **NOT** permitted on these products.

### Parts Included

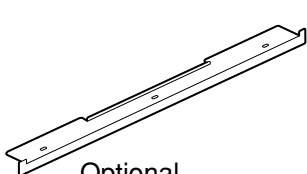


Screws for Installation

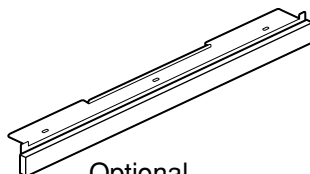


Metal Bottom Trim

Plastic Bottom Trim

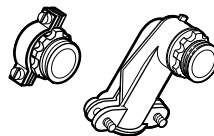


Optional Metal Bottom Trim

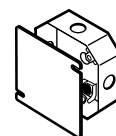


Optional Metal Bottom Trim Assembly (on some models)

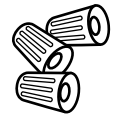
### Materials Needed



Strain Relief Clamp for 1/2" conduit



Junction Box

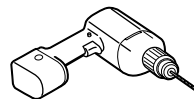


Wire Nuts

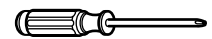


36" of String

### Tools Needed



1/8" Drill Bit and Electric or Hand Drill



Phillips Screwdriver

# Installation Instructions

## IMPORTANT SAFETY INSTRUCTIONS

### For Your Safety

- Be sure your oven is installed properly by a qualified installer or service technician.
- Be sure the oven is securely installed in a cabinet that is firmly attached to the house structure. Weight on the oven door could cause the oven to tip and result in injury. Never allow anyone to climb, sit, stand or hang on the oven door.
- Make sure the cabinets and wall coverings around the oven can withstand the temperatures (up to 200°F) generated by the oven.



**WARNING:** The electrical power to the oven supply line must be shut off while line connections are being made. Failure to do so could result in serious injury or death.

### Electrical Requirements

This appliance must be supplied with the proper voltage and frequency, and connected to an individual, properly grounded branch circuit, protected by a circuit breaker or fuse having amperage as noted on rating plate. (Rating Plate is located on oven side trim.)

We recommend you have the electrical wiring and hookup of your oven connected by a qualified electrician. After installation, have the electrician show you where your main oven disconnect is located.

Check with your local utilities for electrical codes which apply in your area. Failure to wire your oven according to governing codes could result in a hazardous condition. If there are no local codes, your oven must be wired and fused to meet the requirements of the National Electrical Code, ANSI/NFPA No. 70—Latest Edition. You can get a copy by writing:

National Fire Protection Association  
Batterymarch Park  
Quincy, MA 02269

Effective January 1, 1996, the National Electrical Code requires that new, but not existing, construction utilize a four-conductor connection to an electric oven. When installing an electric oven in new construction, a mobile home, recreational vehicle or an area where local codes prohibit grounding through the neutral conductor, follow the instructions in the section on NEW CONSTRUCTION AND FOUR-CONDUCTOR BRANCH CIRCUIT CONNECTION.

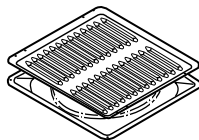
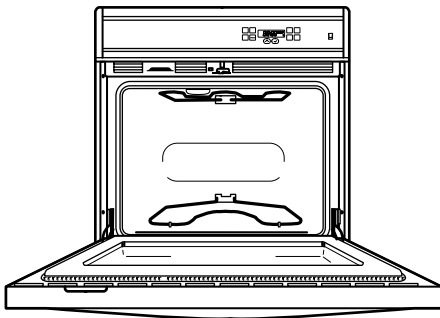
You must use a three-wire, single-phase A.C. 208Y/120 Volt or 240/120 Volt, 60 hertz electrical system. If you connect to aluminum wiring, properly installed connectors approved for use with aluminum wiring must be used.

# Installation Instructions

## ✓ Pre-Installation Checklist

ALL INSTALLATION INFORMATION ON THE FOLLOWING PAGES IS TO BE USED FOR **SINGLE AND DOUBLE OVEN** INSTALLATION!

- ✓ Remove packaging materials. Check behind hinges and under false bottom. Remove labels on the outside of the door, plastic on trims and panel and all tape around oven.



Broiler Pan and Grid



Oven Racks



Literature Pack

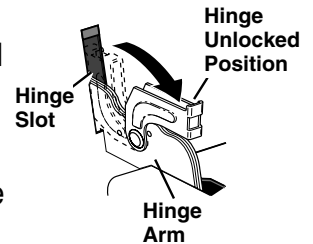
- ✓ Open oven door and remove literature pack, broiler pan and grid, and oven racks.
- ✓ Remove Installation Instructions from literature pack and read them carefully before you begin. Be sure to place all literature, Owner's Manual, Installations, etc. in a safe place for future reference.



Door removal is not a requirement for installation of the product, but is an added convenience. To remove the door:

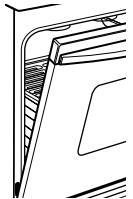
- ✓ Open the oven door as far as it will go.

- ✓ Push both hinge locks down toward the door frame, to the unlocked position. This may require a flat blade screwdriver.

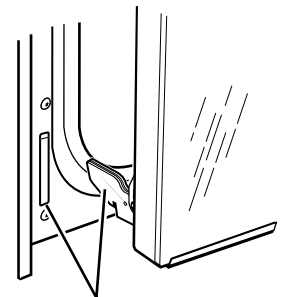


**DO NOT LIFT THE DOOR BY THE HANDLE!**

- ✓ Place hands on both sides of the door, and close the oven door to the removal position. This is half way between the broil stop and fully closed.



- ✓ Lift door up and out until the hinge arms clear the slots.



Hinge Clears Slot

**NOTE: The oven door is very heavy. Be sure you have a firm grip before lifting the oven door off the hinges. Use caution once the door is removed. Do not lay the door on its handle. This could cause dents or scratches.**

# Installation Instructions

---

## Pre-Installation Checklist cont.



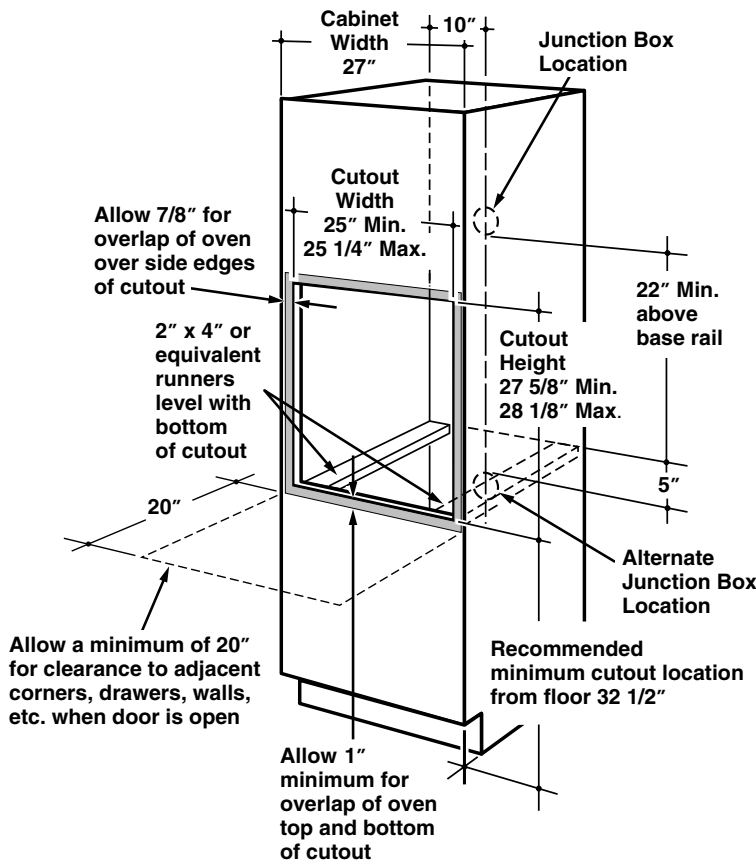
Place the oven on a table or platform even with the cutout opening.  
(Platform must support 150 lbs. single, 275 lbs. double.)



Remove the bottom trim from the top of the oven. It will be installed at the end of the installation process. The trim is wrapped separately and taped to the top of the unit.

# Installation Instructions

## A1 Cutout for Single Built-In Oven

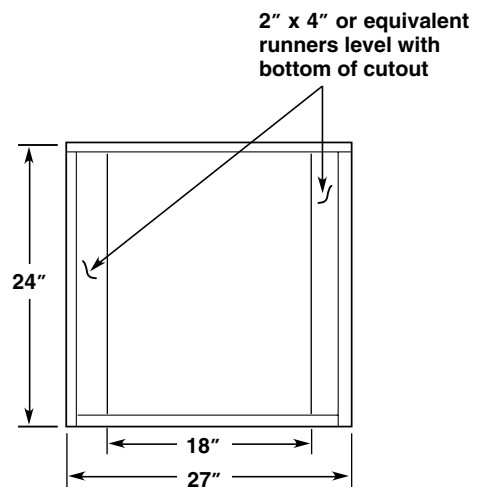


Cabinet Width	27"
Recommended Minimum Cutout Location from Floor	32 1/2"
Cutout Depth	23 1/2" Min.
Cutout Width	25" Min. 25 1/4" Max.
Cutout Height	27 5/8" Min. 28 1/8" Max.

**NOTE: If the cabinet does not have a front frame and the sides are less than 3/4" thick, shim both sides equally to establish the cutout width.**

If the cabinet does not have a solid bottom, two braces or runners must be installed level with the bottom of the cutout to support the weight of the oven. For single ovens, the runners and braces must support 150 lbs.

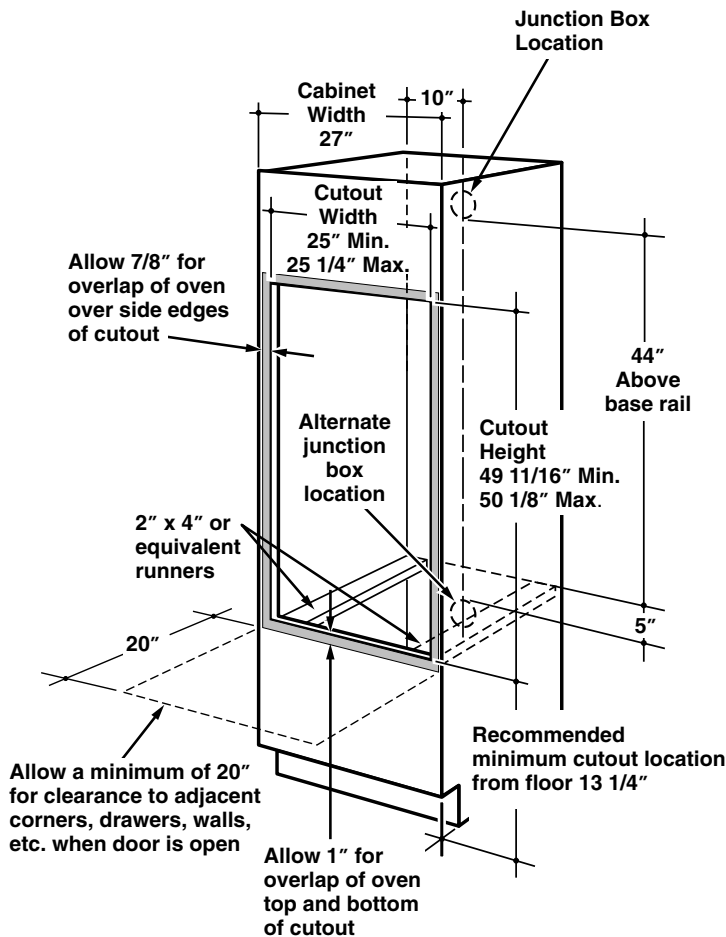
**NOTE: If marks, blemishes or the cutout opening are visible above the installed oven, it may be necessary to add wood shims under the runners and front trim until the marks or opening are covered.**



**This oven is not approved for stackable or side by side installation.**

# Installation Instructions

## A2 Cutout for Double Built-In Oven

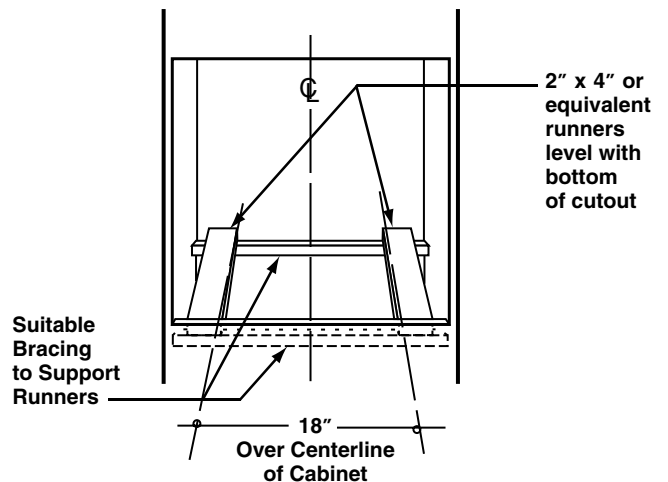


Cabinet Width	27"
Recommended Minimum Cutout Location from Floor	13 1/4"
Cutout Depth	23 5/8" Min.
Cutout Width	25" Min. 25 1/4" Max.
Cutout Height	49 11/16" Min. 50 1/8" Max.

**NOTE: If the cabinet does not have a front frame and the sides are less than 3/4" thick, shim both sides equally to establish the cutout width.**

If the cabinet does not have a solid bottom, two braces or runners must be installed to support the weight of the oven. For double ovens, the runners and braces must support 275 lbs.

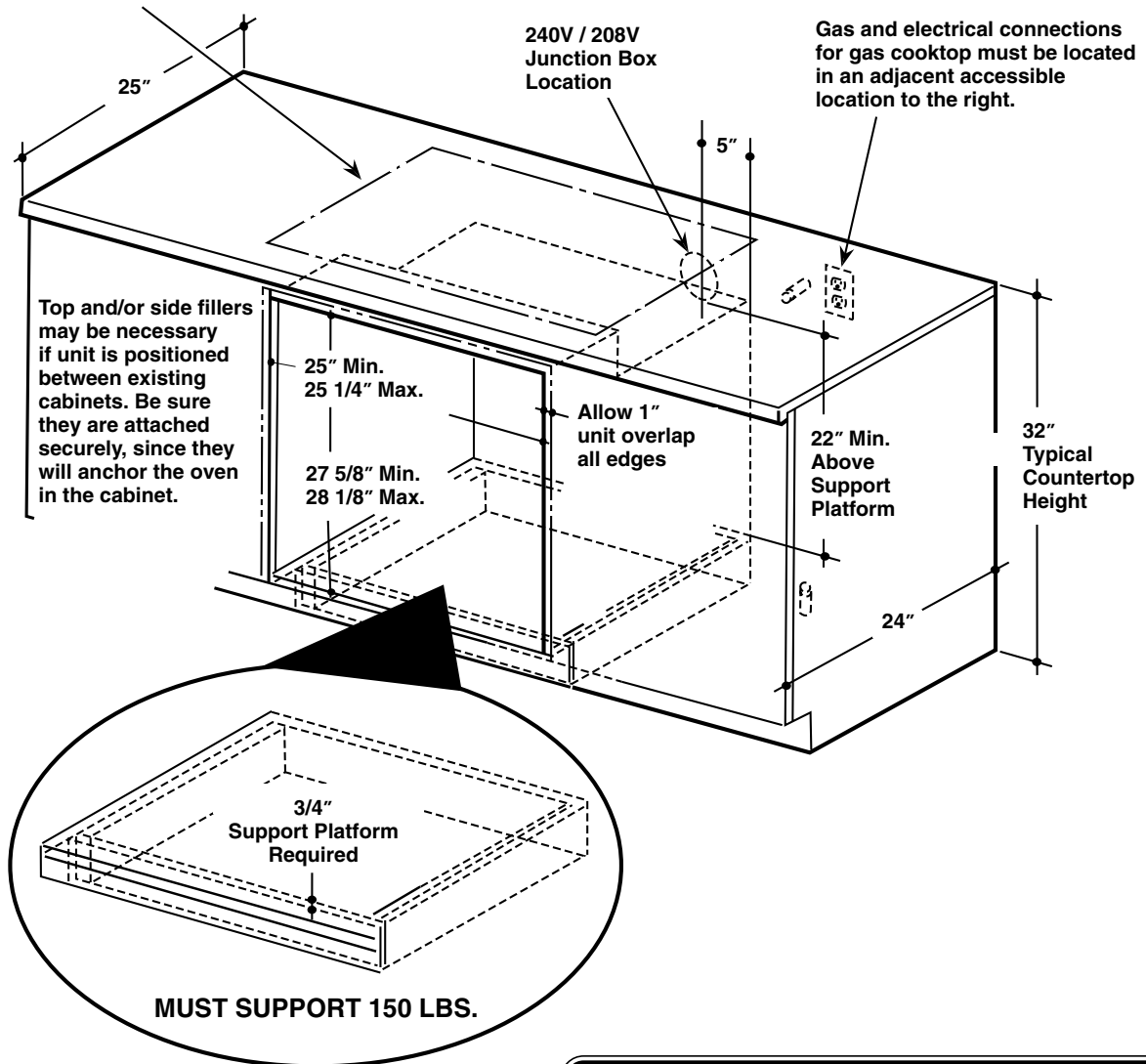
**NOTE: If marks, blemishes or the cutout opening are visible above the installed oven, it may be necessary to add wood shims under the runners and front trim until the marks or opening are covered.**



# Installation Instructions

## A3 Cutout for Single Built-In Oven Under Counter

Gas or electric cooktops may be installed over this oven. See cooktop installation instructions for cutout size. See label on top of oven for approved cooktop models.



**NOTE:** This oven is not approved to be installed under a solid disk, induction or downdraft modular cooktop.

# Installation Instructions

## B Electrical Connections

### ATTENTION INSTALLER

All electric wall ovens must be hard wired (direct wired) into an approved junction box. A plug and receptacle is NOT permitted on these products.

DO NOT shorten the flexible conduit. The conduit strain relief clamp must be securely attached to the junction box and the flexible conduit must be securely attached to the clamp. If the flexible conduit will not fit within the clamp, do not install the oven until a clamp of the proper size is obtained.

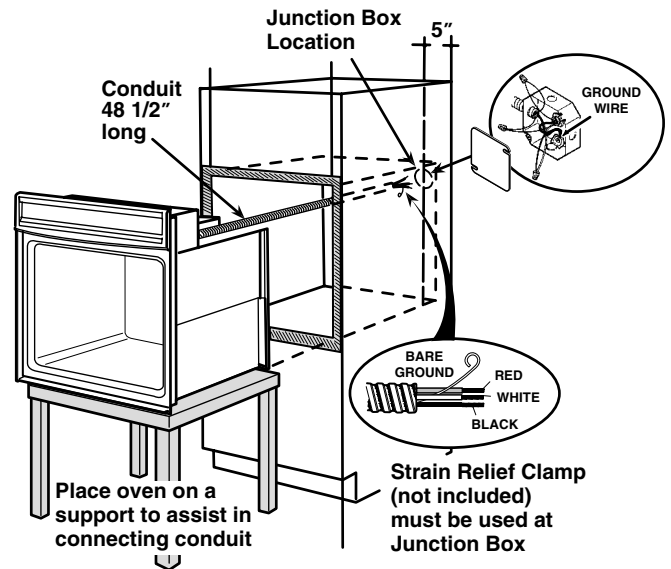
**NOTE TO ELECTRICIAN:** The 3 power leads supplied with this appliance are UL recognized for connection to heavier gauge household wiring. The insulation of these 3 leads is rated at temperatures much higher than the temperature rating of household wiring. The current carrying capacity of the conductor is governed by the wire gauge and the temperature rating of the insulation around the wire.



**WARNING:** Improper connection of aluminum house wiring to copper leads can result in an electrical hazard or fire. Use only connectors designed for joining copper to aluminum and follow the manufacturer's recommended procedure closely.

**B1** Turn off the circuit breaker or remove fuses to the oven branch circuit.

**B2** With the oven supported on a table or platform in front of the cabinet opening, connect the flexible conduit to the electrical junction box as shown below. Position the conduit in such a manner that it will lie on top of the oven in a natural loop when the oven is installed. You will need to purchase an appropriate strain relief clamp to complete the connection of the conduit to the junction box.





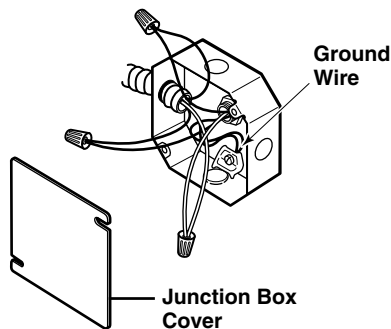
# Installation Instructions

## **B** Electrical Connections cont.

### **B3** New Construction and Four-Conductor Branch Circuit Connection

- When installing in new construction, or
- When installing in a mobile home, or
- When installing in a recreational vehicle, or
- When local codes do not permit grounding through neutral:

- a. Cut the neutral (white) lead from the crimp. Re-strip the neutral (white) lead to expose the proper length of conductor.

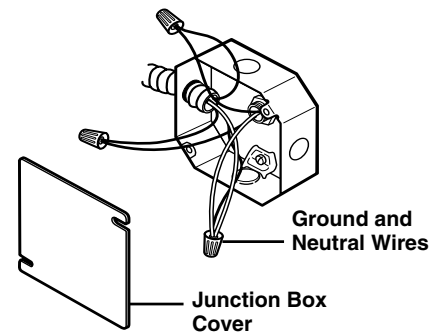


- b. Attach the appliance grounding lead (green or bare copper) in accordance with local codes. If the residence grounding conductor is aluminum, see WARNING on page 8.
- c. Connect the oven neutral (white) lead to the branch circuit neutral (white or gray) in accordance with local codes, using a wire nut.
- d. Connect the oven red lead to the branch circuit red lead and the oven black lead to the branch circuit black lead in accordance with local codes, using wire nuts. If the residence red, black or white leads are aluminum conductors, see WARNING on page 8.
- e. Install Junction Box Cover.

### **B4** Three-Conductor Branch Circuit Connection

When connecting to a three-conductor branch circuit, if local codes permit:

- a. Connect the bare oven ground conductor with the crimped neutral (white) lead to the branch circuit neutral (white or gray in color), using a wire nut.



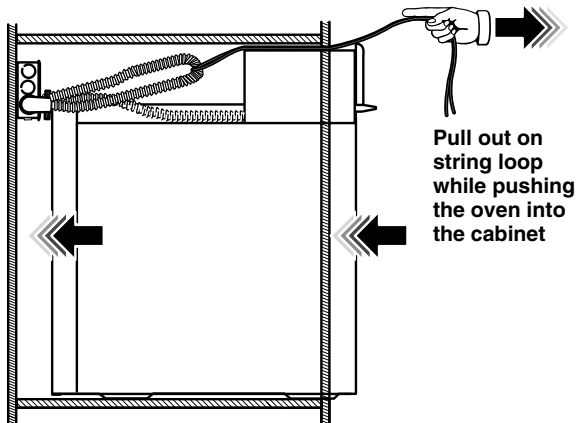
- b. Connect the oven red lead to the branch circuit red lead in accordance with local codes, using a wire nut.
- c. Connect the oven black lead to the branch circuit black lead in accordance with local codes, using a wire nut. If the residence red, black or white leads are aluminum conductors, see WARNING on page 8.
- d. Install Junction Box Cover.

# Installation Instructions

## C Securing the Oven in the Opening

### C1 Sliding the Oven Into the Opening

- a. Loop (do not tie) a 36" string around the conduit before the oven is slid into place. This will keep the conduit from falling behind the oven.

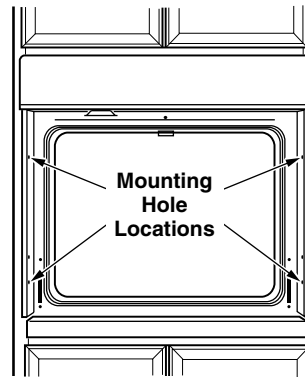


- b. Lift oven into cabinet cutout using the oven opening as a grip. Carefully push against oven front frame. Do not push against outside edges.
- c. As you slide the oven back, pull the string so that the conduit will lie on top of the oven in a natural loop.
- d. When you are sure the conduit is out of the way, slide the oven 3/4 way back into the opening. Remove the string by pulling on one end of the loop.

### C2 Drilling the Pilot Holes and Mounting the Oven

**NOTE:** Before drilling the pilot holes, make sure the oven is pushed as far back into the opening as it will go and centered.

- a. Drill through the mounting holes (top and bottom) of the side trim, for the #8 screws provided.



The screws must be a minimum of 1/4" from the front of the cutout.

**WARNING:** Mounting screws must be used. Failure to do so could result in the oven falling out of the cabinet causing serious injury.

- b. Secure the oven to cabinet with screws provided.

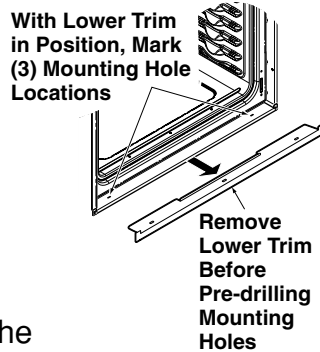
**NOTE:** If the cabinet is particle board, you must use #8 x 3/4" particle board screws. These may be purchased at any hardware store.

# Installation Instructions

To install a single metal bottom trim assembly (on some models), use sections C3 and C4.  
To install a metal bottom trim with a plastic bottom trim (on some models), use sections C3–C5.

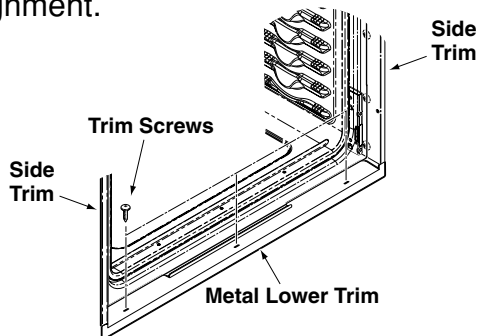
## C3 Preparing for the Bottom Trim Installation

- With oven installed, take the bottom trim and center it on the bottom front edge of the cabinet opening.
- Using the trim as a template, mark the center of each slot (three total) where the mounting holes will be drilled.
- Remove the trim.
- Drill pilot holes into the center of each template mark.



## C4 Installing the Metal Bottom Trim

- Place the bottom metal trim centered over the pre-drilled mounting holes. Tape the edges of the trim down to maintain the alignment.



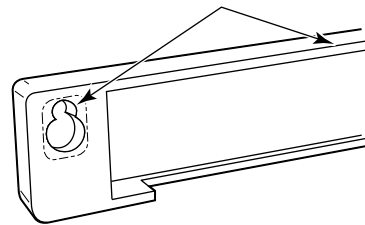
- Using three trim screws provided, secure the bottom trim to the bottom edge of the cabinet.

**IMPORTANT:** If this unit is ever removed from the cabinet or the oven is ever pulled out for service, the trim must be removed first or damage to the trim will occur.

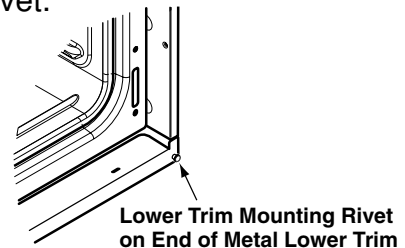
## C5 Installing the Plastic Bottom Trim (on some models)

- Make sure flat side is up on the plastic bottom trim.
- Find the key slot on the back of the trim.

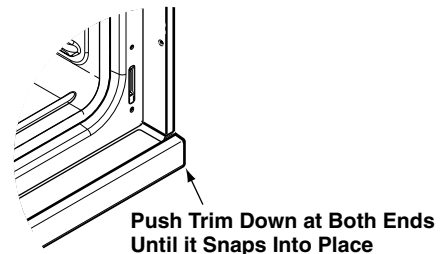
Key Hole Slot and Wide Flange at Top



- Match the key slot with the rivet on the bottom of the side trim, and lower the trim onto the rivet.



- Push the trim down, at both ends, until it snaps into place.



**CAUTION:** Be sure you do not tip the oven forward during installation or you may bend the bottom trim. The bottom trim provides an opening for cooling air to enter the cabinet. This opening should never be blocked.

# Installation Instructions

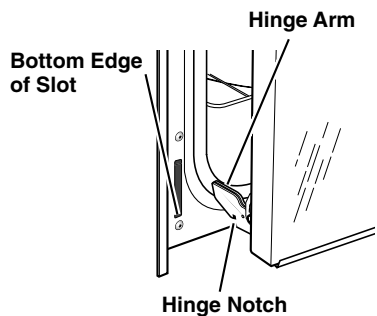
## D Replacing the Oven Door

**NOTE:** The oven door is heavy. You may need help lifting the door high enough to slide it into the hinge slots. Do not lift the door by the handle.

- D1** Lift the oven door by placing one hand on each side. The door is heavy, so you may need help. Do not lift the door by the handle.

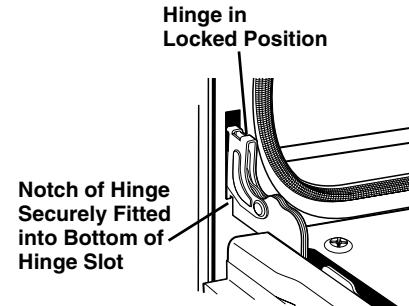


- D2** With the door at the same angle as the removal position (half way between the closed and broil stop position), seat the notch of the hinge arm into the bottom edge of the hinge slot. The notch of the hinge arm must be fully seated into the bottom of the slot.



- D3** Open the oven door as far as it will open.

- D4** Push the hinge locks up against the front frame of the oven cavity, to the locked position.



- D5** Close the oven door.

# Installation Instructions

## Pre-Test Checklist

- Remove all protective film, if present, and any stickers.
- Check that the bottom trim is installed properly (see page 11).
- Check to be sure that all wiring is secure and not pinched or in contact with moving parts.
- Check to be sure the mounting screws are installed and flush with the side trim (see page 10).

## Operation Checklist

- Remove all items from the inside of the oven.
- Check that conduit is securely connected to the junction box.
- Turn on the power to the oven. (Refer to your Owner's Manual.) Verify that the bake and broil units, and all cooking functions operate properly.
- Check that the circuit breaker is not tripped nor the house fuse blown.
- See your Owner's Manual for troubleshooting list.

**NOTE TO ELECTRICIAN: The power leads supplied with this appliance are UL recognized for connections to larger gauge household wiring. The insulation of these leads is rated at temperatures much higher than the temperature rating of household wiring. The current carrying capacity of a conductor is governed by the wire gauge and also the temperature rating of the insulation around the wire.**

### **NOTE: ALUMINUM WIRING**

**A. WARNING: IMPROPER CONNECTION OF ALUMINUM HOUSE WIRING TO THE COPPER LEADS CAN RESULT IN AN ELECTRICAL HAZARD OR FIRE.**

**B. Splice copper wires to aluminum wiring using special connectors designed and UL approved for joining copper to aluminum, and follow the manufacturer's recommended connector procedure closely.**

**NOTE: Wire used, location and enclosure of splices, etc., must conform to good wiring practice and local codes.**

# NOTES

---

---

---

---

---

---

---

---

---

---

---

---

---

---

---

---

---

---

---

---

---

---

---

---

---

**NOTES**

---

---

---

---

---

---

---

---

---

---

---

---

---

---

---

---

---

---

---

---

---

---

---

