

Frigitaire

Factory Parts Catalog

Product No.	FCS366ECB	FCS366ECC
	37954381G50S2	37954381G50S3
Series	30" gas	30" gas
Color	stainless	stainless
Market	North America	North America
Wiring Diagram	318271911	318271911
Owner's Guide	318203862	318203862
Installation Instructions	318201671	318201671
Service Data Sheet	318127022	318127022
Timer Guide	318200185	318200185

Electrolux Major Appliances
 North & Latin America
 P.O. BOX 212378
 AUGUSTA, GA 30917

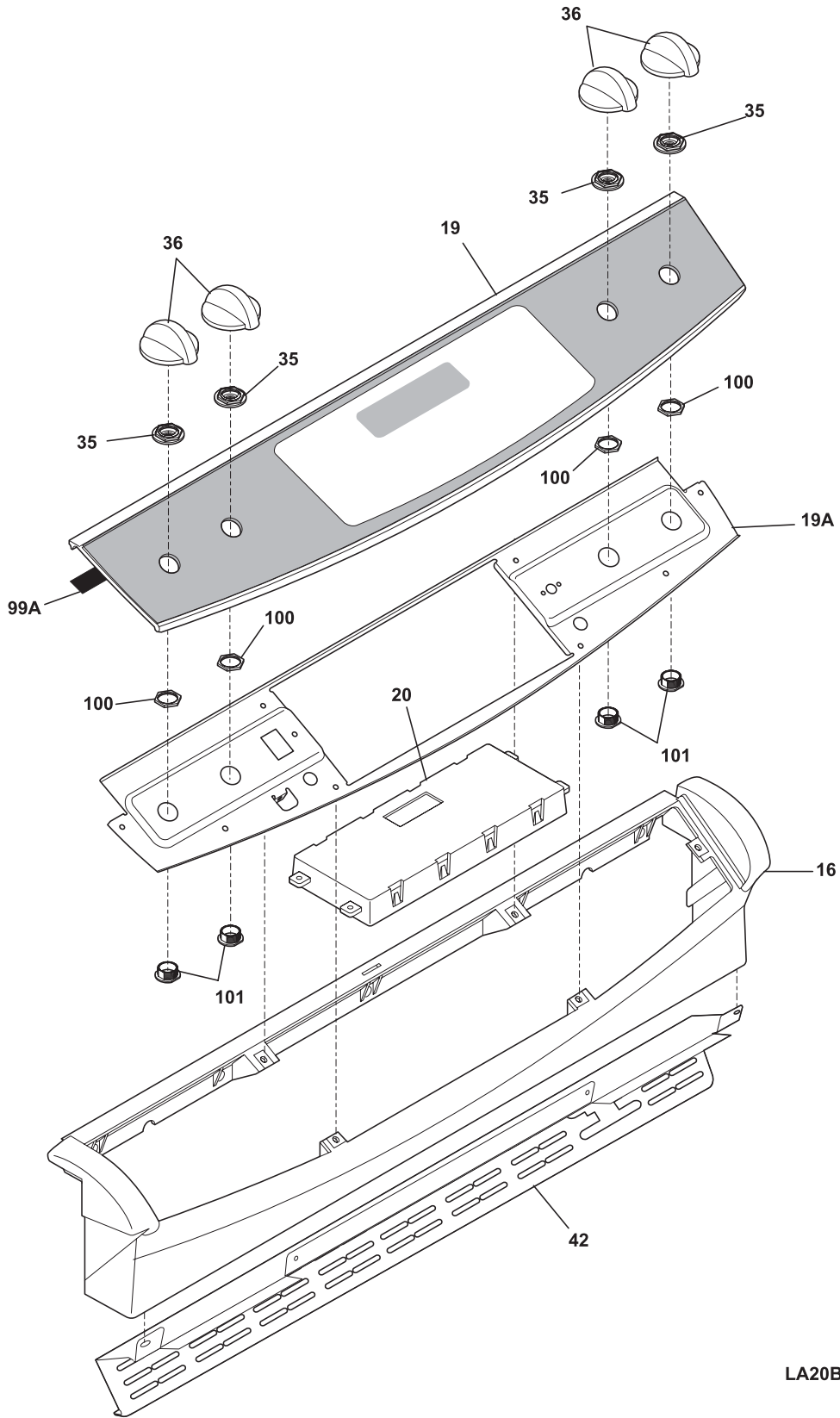
Publication No.
5995457388
 06/01/03
 (EN/SERVICE/ECL)
 377

**30-INCH SLIDE-IN GAS
 RANGE**

**Model No.
 FCS366E**

Copyright © 2005 Electrolux Home Products, Inc.
 All rights reserved.

BACKGUARD



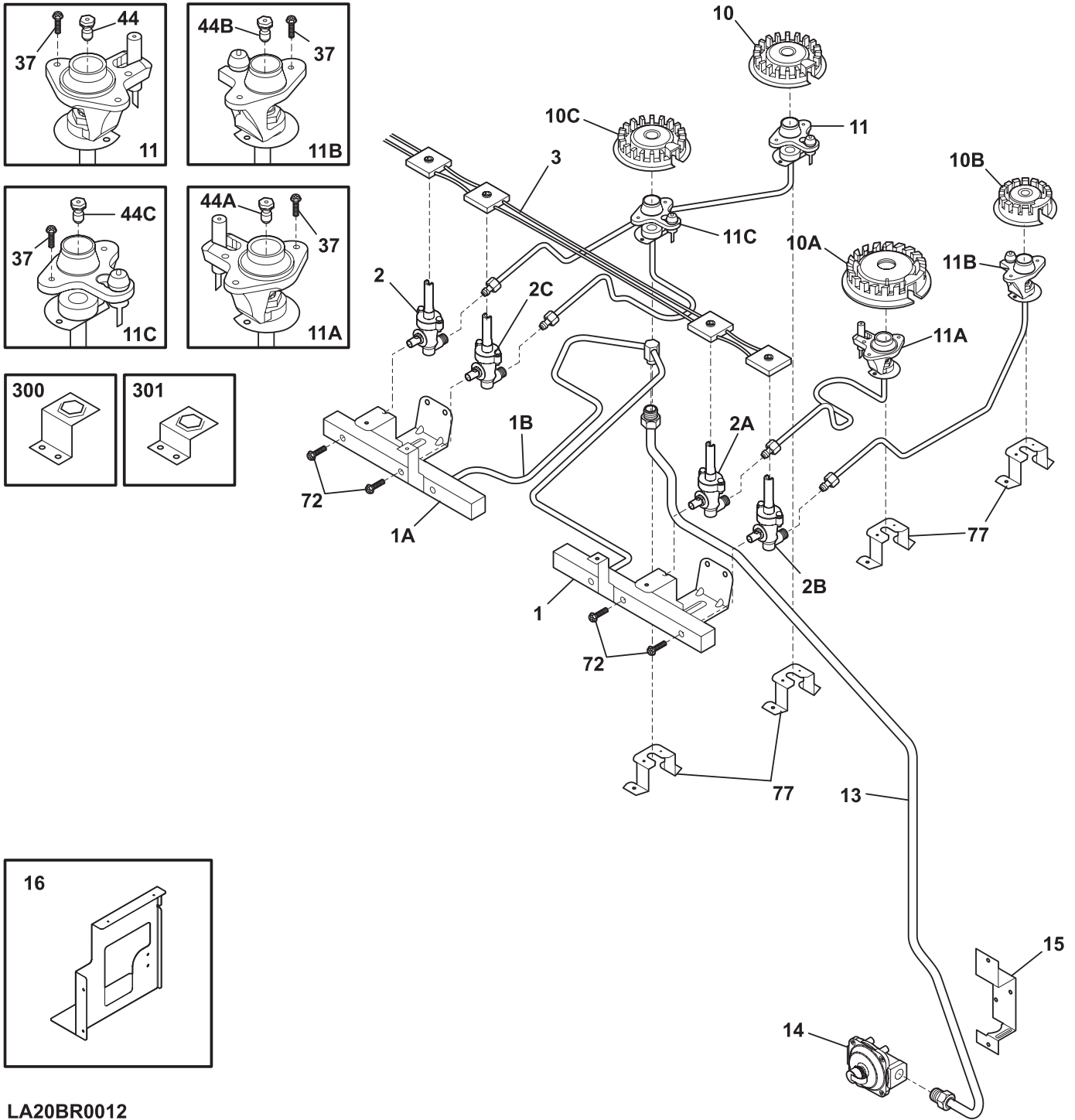
LA20BG0055

BACKGUARD

Model Index: A FCS366E (FCS366ECB)
B FCS366E (FCS366ECC)

POS. NO	PART NO.		DESCRIPTION
16	318299102	A B	Console, assy., black
19	318312231	A B	Control Panel Assembly, w/membrane, stainless
19A	318224404	A B	Panel, control mtg.
20 #	316418532	A B	Clock/Timer, electronic, ES350
20*	5304453707	A B	Screw, control mtg.
35	318233720	A B	Retainer, control panel, black
36	316223024	A B	Knob, control, black
42	318298001	A B	Trim, vent, black, upper
99A	318223900	A B	Gasket, dark grey
100	318233800	A B	Nut, hex
101	318233400	A B	Bushing, retainer
* #	318224811	A B	Harness, wiring, timer
*	08016432	A B	Screw, truss head, 8-18 x 0.375
*	5303300265	A B	Screw, 8-18 X 1/2, (2)
*	5303311333	A B	Screw, 8-32 x 3/8

BURNER



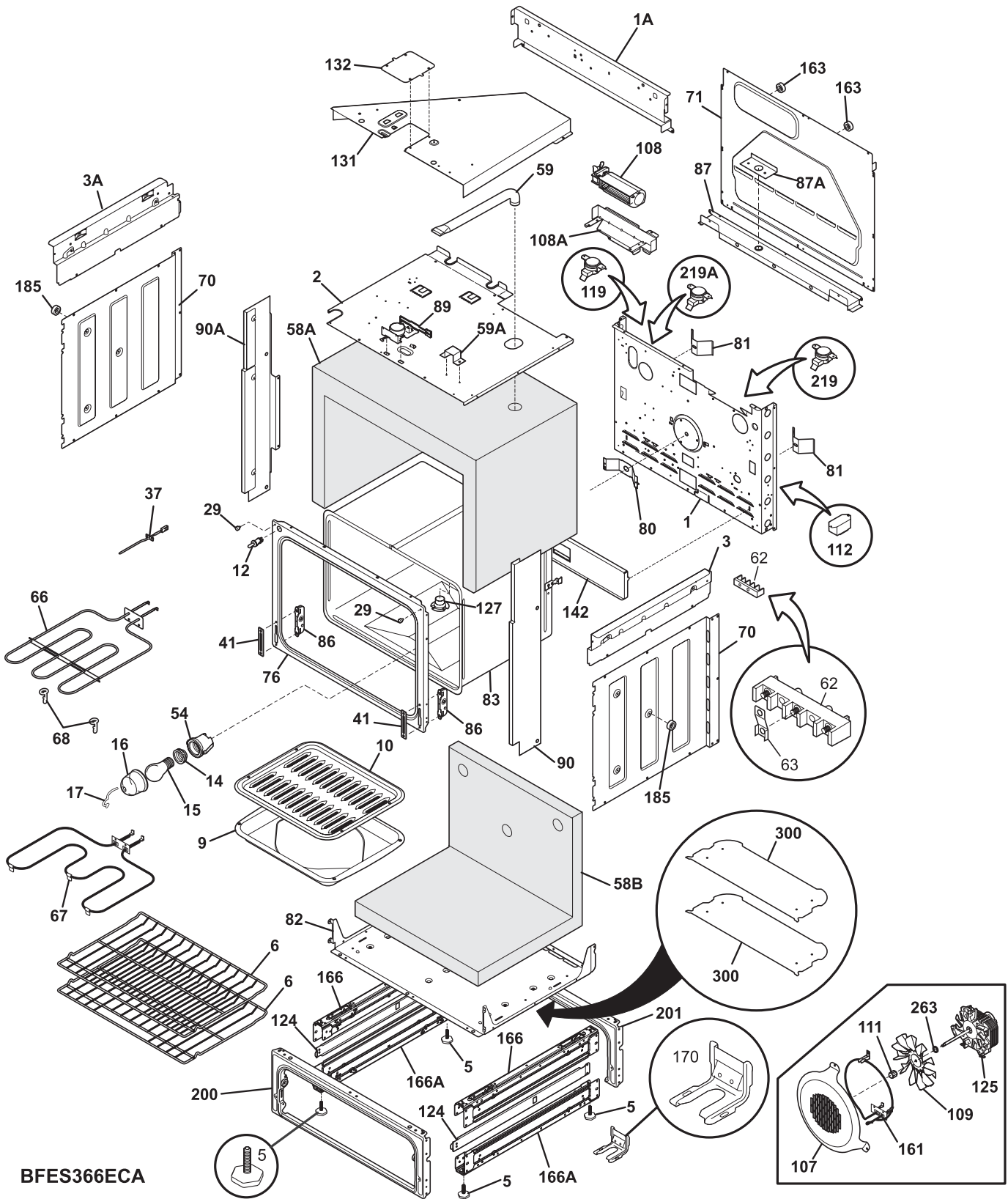
LA20BR0012

BURNER

Model Index: A FCS366E (FCS366ECB)
B FCS366E (FCS366ECC)

POS. NO	PART NO.		DESCRIPTION
1	318305600	A B	Manifold, right side
1A	318305601	A B	Manifold, left side
1B	318305401	A B	Tube, manifold, 3/8, interconnect
2 #	318233920	A B	Valve, top burner, 12000 BTU
2A #	318233940	A B	Valve, top burner, 17000 BTU
2B #	318233900	A B	Valve, top burner, 5000 BTU
2C #	318233910	A B	Valve, top burner, 9500 BTU
3 #	318232600	A B	Wiring Harness, w/igntr switch
10 #	316212300	A B	Burner, sealed, 12K
10A#	316223300	A B	Burner, sealed, 17K
10B#	316206400	A B	Burner, sealed, 5K
10C#	316212400	A B	Burner, sealed, 9.5K
11	318306105	A B	Ignitor Assembly, 12K, left rear, w/tube & holder
11A	318306107	A B	Ignitor Assembly, 16K, right front, w/tube & holder
11B	318306108	A B	Ignitor Assembly, 5K, right rear, w/tube & holder
11C	318306104	A B	Ignitor Assembly, 9.5K, left front, w/tube & holder
13	318305100	A B	Tube, regulator, to manifold
14 #	318122700	A B	Regulator, pressure
14*	5303311306	A B	Screw, 8-18 x 0.375, (3)
15	318262800	A B	Bracket, regulator
16	318590002	A B	Panel, regulator mtg.
37	5303307980	A B	Screw, 8-32 x 0.437, (4)
44	316237901	A B	Orifice, top burner, 12K
44A	316237912	A B	Orifice, top burner, 16K
44B	316237903	A B	Orifice, top burner, 5K
44C	316237902	A B	Orifice, top burner, 9.5K
72	316215600	A B	Screw, valve mtg., 1/4 - 20
77	318192600	A B	Bracket, burner mtg, (5)
300	318322300	A B	Bracket, inlet, long, door
301	318322301	A B	Bracket, inlet, short, block
*	318199725	A B	Wiring Harness, ignitor
*	318186911	A B	LP Conversion Kit
*	08011955	A B	Screw, 10-24 x 0.375, square drive
*	5303211311	A B	Screw, 8 x 0.500

BODY



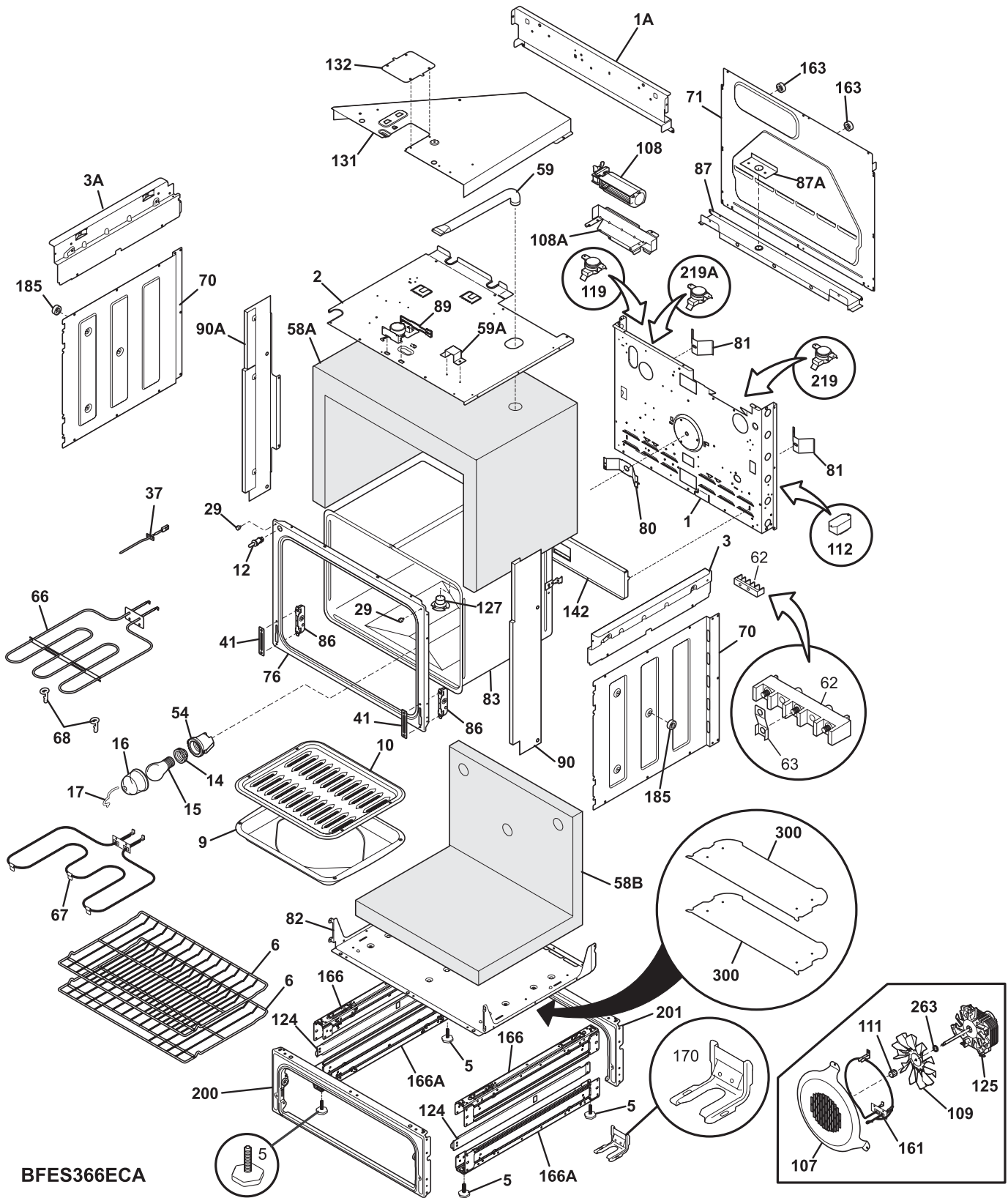
BFES366ECA

BODY

Model Index: A FCS366E (FCS366ECB)
B FCS366E (FCS366ECC)

POS. NO	PART NO.		DESCRIPTION
1	318259202	A B	Back, main
1A	318225110	A B	Panel, main back, upper
2	318258902	A B	Shield, insulation, upper
3	318225210	A B	Panel, bodyside, upper RH
3A	318225211	A B	Panel, bodyside, upper LH
5	318175503	A B	Screw, leveling
6	318262502	A B	Rack, oven
9	5303317977	A B	Pan, broiler
10	5303317976	A B	Insert, broiler pan
12 #	318089917	A B	Switch, light
14	318224000	A B	Receptacle, oven light
15	5303013071	A B	Bulb/Lamp, light
16	3201911	A B	Cover, oven light, glass
17	5304400195	A B	Retainer, light cover
29	318147411	A B	Bumper, (2)
37 #	316217002	A B	Probe, oven temp
41	5303310526	A B	Cover, hinge cutout
54	318222400	A B	Housing, oven light
58A	318285055	A B	Insulation, oven wrapper
58B	318285056	A B	Insulation, oven back
59	318072560	A B	Duct, oven vent
59A	318261600	A B	Bracket, vent tube
62	5303935061	A B	Terminal Block Kit
62*	5303323139	A B	Screw, 10-24 x 0.906
62*	5303323144	A B	Nut, 10-32
63	318264200	A B	Plate, grounding strap
66 #	318255600	A B	Element, broil, 2750W
67 #	318255401	A B	Element, bake, 3400W
68	5304403015	A B	Support, hanger, (2), broil element
70	318259100	A B	Shield, insulation, sides, (2)
71	318260007	A B	Panel, rear box
76	318056217	A B	Front, oven
80	5303320846	A B	Plate, oven mtg
81	318192400	A B	Spring, oven
82	318258707	A B	Shield, insulation, lower
83	318261404	A B	Liner, oven assy
86	5303310524	A B	Receptacle, hinge
87	318260609	A B	Bracket, cable mtg.
87A	318111804	A B	Plate, cord set mtg
89 #	318261202	A B	Motor, latch assy
90	318296904	A B	Panel, filler, black, RH
90A	318296905	A B	Panel, filler, black, LH
107	318219401	A B	Cover, fan
108#	318073018	A B	Motor, blower
*	318249401	A B	Tube, protector
108A	318251300	A B	Bracket, fan support
109	316136400	A B	Blade, fan
111	316136600	A B	Nut, fan retainer
112#	318112703	A B	Relay

BODY

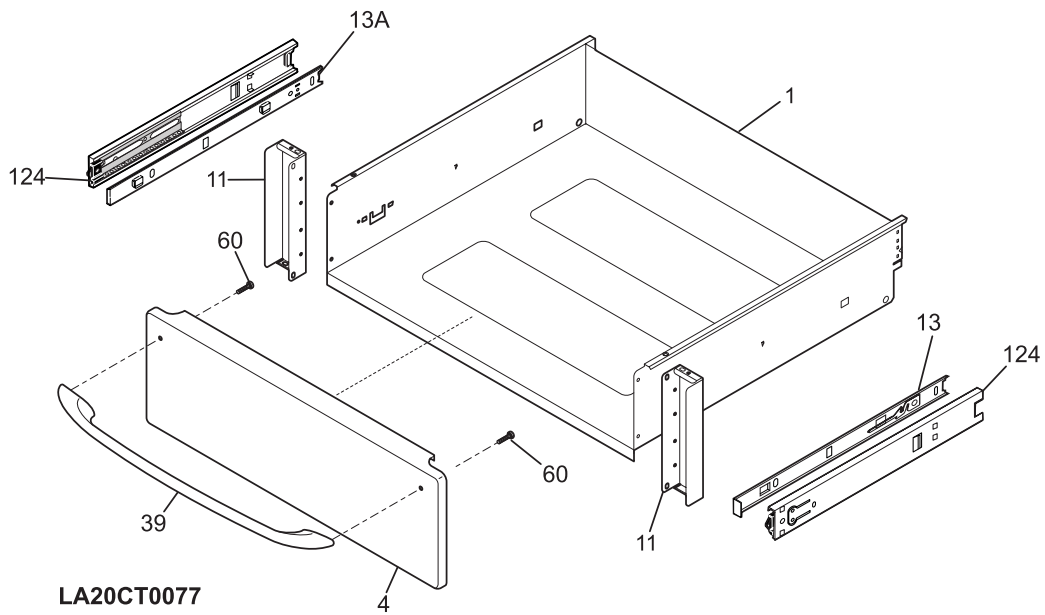
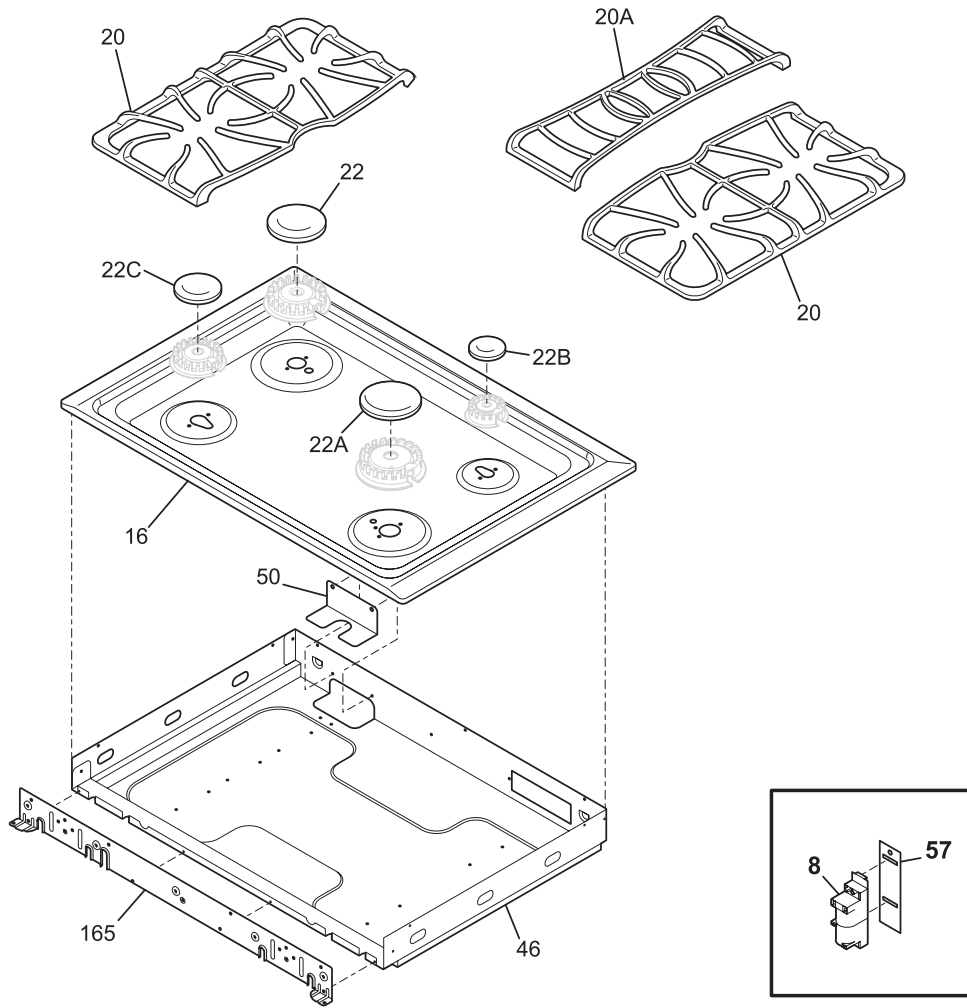


BODY

Model Index: A FCS366E (FCS366ECB)
B FCS366E (FCS366ECC)

POS. NO	PART NO.		DESCRIPTION
119#	318005202	A B	Switch, thermal cutout
124	318300800	A B	Bracket, glide, (2)
125#	316415800	A B	Motor, fan
127	318317100	A B	Adapter Assembly, vent tube, w/converter
131	318272900	A B	Box, vent
132	318003000	A B	Plate, shield
142	318123910	A B	Deflector
163	318014110	A B	Spacer, (6)
166	318298400	A B	Bracket, base support, (4)
166A	318298403	A B	Bracket, base support, lower, (2)
170	318335500	A B	Anti-tip & accessories
185	318165800	A B	Spacer, (2)
200	318298201	A B	Frame, drawer, black, front
201	318298210	A B	Frame, drawer
219#	318003614	A B	Thermostat, safety
219A	318003613	A B	Thermostat, safety
263	316136500	A B	Washer, flat
300	318326500	A B	Shield, heat
* #	318224935	A B	Harness, wiring, main
*	318235300	A B	Connector assy., w/3 lugs, & instructions
*	3051050	A B	Screw, shoulder
*	3201861	A B	Screw, 6 x 0.375, (4)
*	08016432	A B	Screw, truss head, 8-18 x 0.375
*	5303211311	A B	Screw, 8 x 0.500
*	5303307980	A B	Screw, 8-32 x 0.437, (4)
*	5303323129	A B	Screw, 8 X 0.750
*	5304415832	A B	Screw, 8-18 x 0.406
*	5304436875	A B	Screw, 8-18 X 1/2, black

TOP

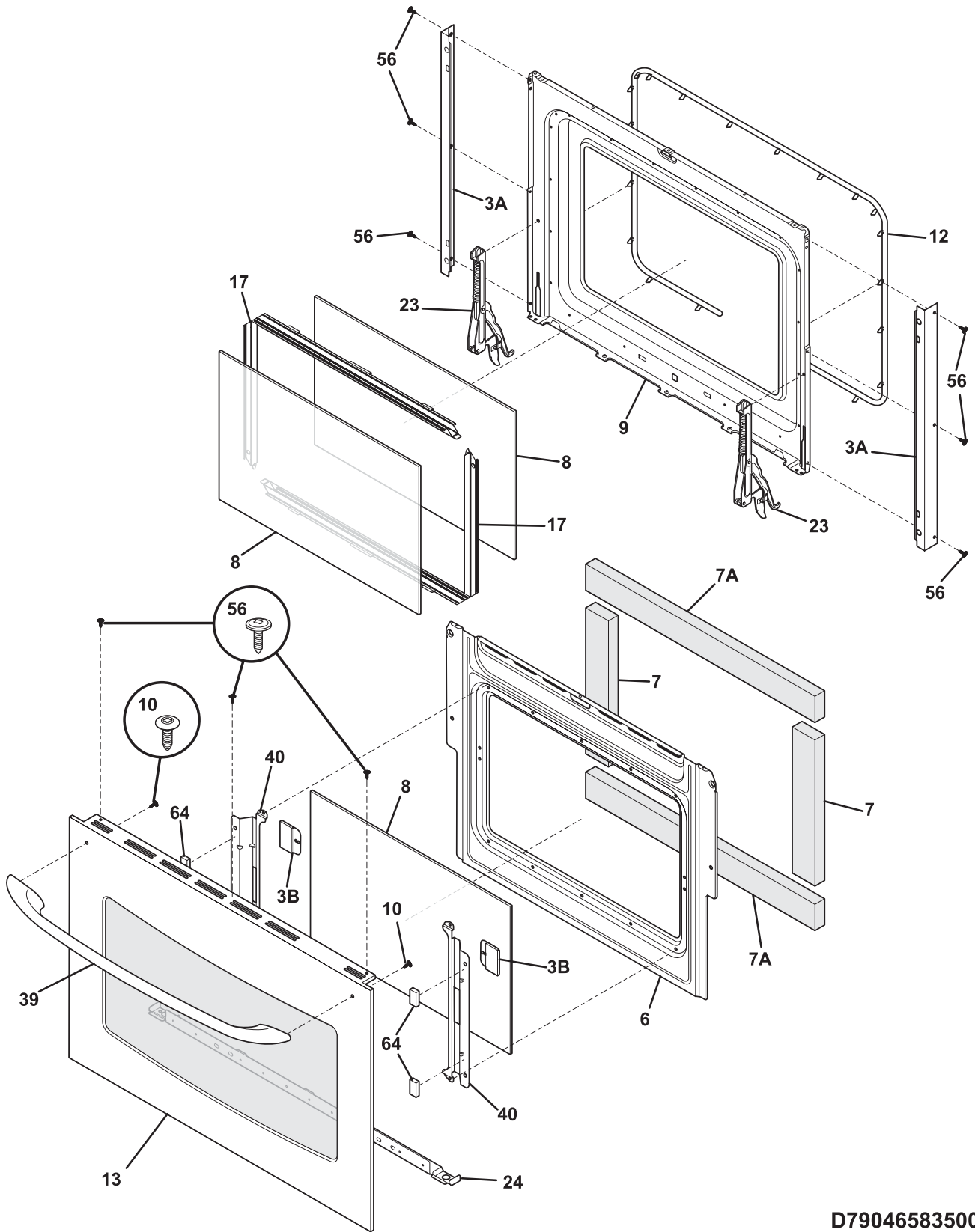


TOP

Model Index: A FCS366E (FCS366ECB)
 B FCS366E (FCS366ECC)

POS. NO	PART NO.		DESCRIPTION
1	318107308	A B	Drawer
4	318298810	A B	Panel, drawer, stainless, front
8 #	316135701	A B	Module, spark
11	318298601	A B	Bracket, drawer support, (2)
13	318259501	A B	Glide, warmer, inner RH
13A	318259500	A B	Glide, warmer, inner LH
16	318320005	A B	Maintop Assembly, black
20	316424603	A B	Grate, black, (2)
20A	318307103	A B	Grate, black, center
22	316213605	A B	Cap, 12K burner, black
22A	316271904	A B	Cap, 17K burner, black
22B	316206604	A B	Cap, 5K burner, black
22C	316213505	A B	Cap, 9.5K burner, black
39	318231200	A -	Handle, black
39	316270200	- B	Handle, door, black
46	318291401	A B	Box, burner
50	318328500	A B	Cover, burner box
57	318295610	A B	Panel, service
60	5303311174	A -	Screw, 10-24 x 3/8
60	5304452028	- B	Screw, handle mtg, 10-14 x 1/2, (2)
124	316105501	A B	Glide, warmer drawer, outer/RH & LH, (2)
165	318227504	A B	Plate, mounting
*	318163600	A B	Cleaner, cooktop
*	318014110	A B	Spacer, (6)
*	5303325171	A B	Washer, plastic
*	08016432	A B	Screw, truss head, 8-18 x 0.375
*	5303211311	A B	Screw, 8 x 0.500
*	5303300265	A B	Screw, 8-18 X 1/2, (2)
*	5303311333	A B	Screw, 8-32 x 3/8

DOOR



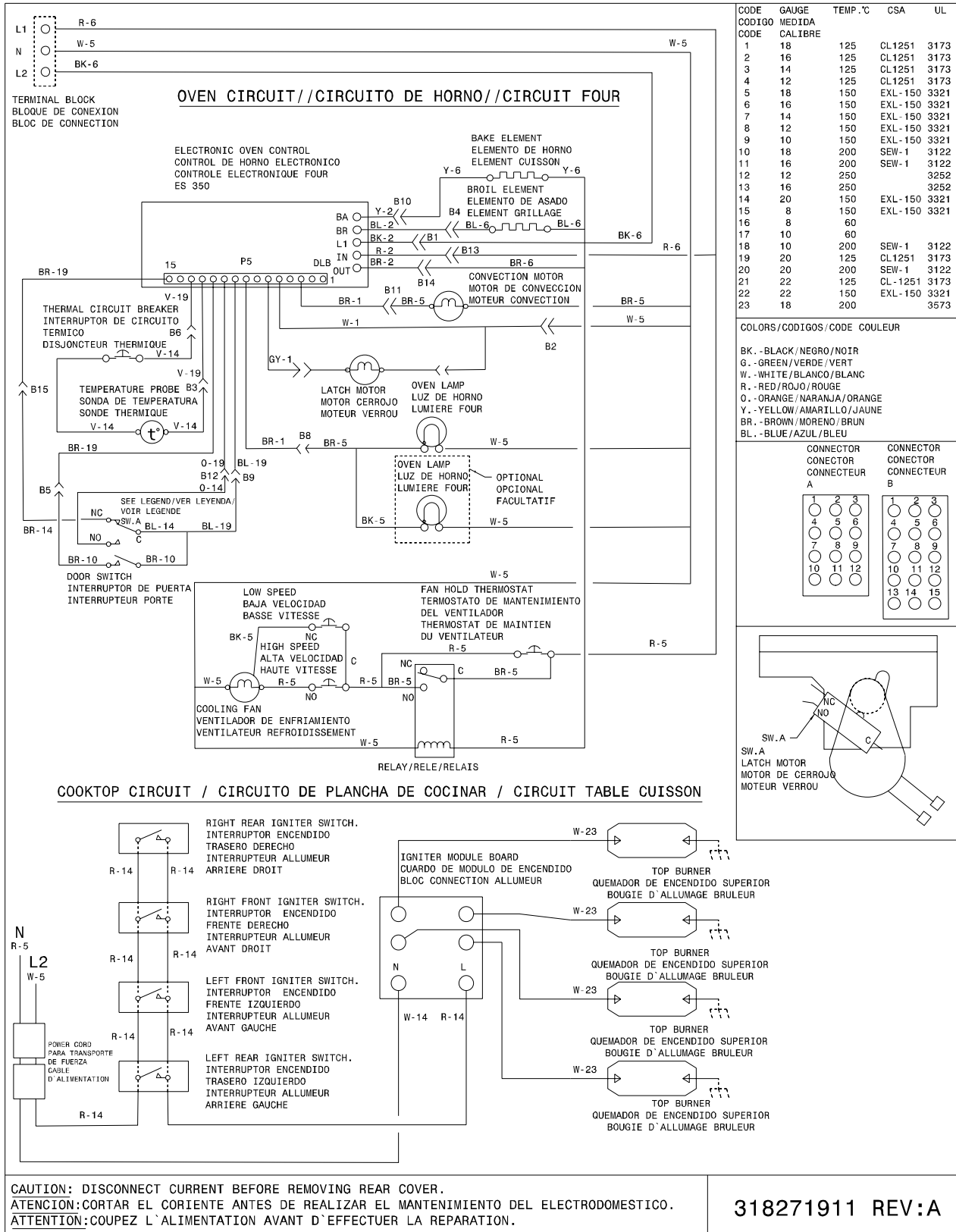
D79046583500

DOOR

Model Index: **A** FCS366E (FCS366ECB)
 B FCS366E (FCS366ECC)

POS. NO	PART NO.		DESCRIPTION
3A	318260401	A B	Trim, oven door, side, (2)
3B	318262101	A B	Cover, rear door, black, (2)
6	318260500	A B	Baffle, door
7	318285057	A B	Insulation, oven door
7A	318285062	A B	Insulation, oven door
8	316117500	A B	Glass, oven door, heat barrier
9	318259605	A B	Liner, door
10	5303311174	A -	Screw, 10-24 x 3/8
10	5304452028	- B	Screw, handle mtg, 10-14 x 1/2, (2)
12	318053130	A B	Seal, oven door
13	318272161	A B	Door Assy, glass, stainless steel, outer
17	316402403	A B	Spacer, door glass, (2)
23	318024714	A B	Hinge, door, (2)
*	5304415832	A B	Screw, 8-18 x 0.406
24	318260301	A B	Trim, door, black, lower
39	318231200	A -	Handle, black
39	316270200	- B	Handle, door, black
40	318242700	A B	Bracket, glass holder, (2)
56	5304436875	A B	Screw, 8-18 X 1/2, black
64	318165800	A B	Spacer, (2)
*	316221001	A B	Label, anti-tip

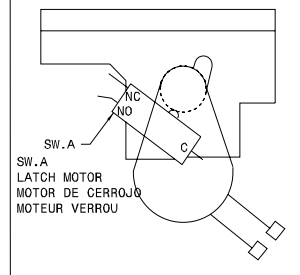
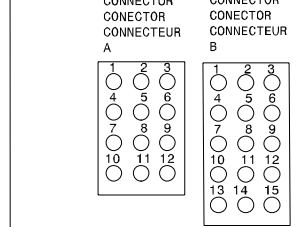
WIRING DIAGRAM



CODE	GAUGE	TEMP. °C	CSA	UL
CODIGO	MEDIDA			
CODE	CALIBRE			
1	18	125	CL1251	3173
2	16	125	CL1251	3173
3	14	125	CL1251	3173
4	12	125	CL1251	3173
5	18	150	EKL-150	3321
6	16	150	EKL-150	3321
7	14	150	EKL-150	3321
8	12	150	EKL-150	3321
9	10	150	EKL-150	3321
10	18	200	SEW-1	3122
11	16	200	SEW-1	3122
12	12	250		3252
13	16	250		3252
14	20	150	EKL-150	3321
15	8	150	EKL-150	3321
16	8	60		
17	10	60		
18	10	200	SEW-1	3122
19	20	125	CL1251	3173
20	20	200	SEW-1	3122
21	22	125	CL-1251	3173
22	22	150	EKL-150	3321
23	18	200		3573

COLORS/CODIGOS/COULEUR

BK. -BLACK/NEGRO/NOIR
G. -GREEN/VERDE/VERT
W. -WHITE/BLANCO/BLANC
R. -RED/ROJO/ROUGE
O. -ORANGE/NARANJA/ORANGE
Y. -YELLOW/AMARILLO/JAUNE
BR. -BROWN/MORENO/BRUN
BL. -BLUE/AZUL/BLEU



CAUTION: DISCONNECT CURRENT BEFORE REMOVING REAR COVER.
 ATENCION: CORTAR EL CORRIENTE ANTES DE REALIZAR EL MANTENIMIENTO DEL ELECTRODOMESTICO.
 ATTENTION: COUPEZ L'ALIMENTATION AVANT D'EFFECTUER LA REPARATION.

318271911 REV:A