

*Frigidaire*

Factory Parts Catalog

Product No.	FAA086P7A1	FAA086P7A2	FAA086P7A3	FAA086P7A4	FAA086P7A5	FAA086P7A6
Series	MS II	MS II	MS II	MS II	MS II	MS II
Color	N/A	N/A	N/A	N/A	N/A	N/A
Volts	115	115	115	115	115	115
BTU-Cooling	8000	8000	8000	8000	8000	8000
Owner's Guide	220201d011	220201d011	220201d011	220201d011	220201d011	220201d011
Installation Instructions	msinstalleng	msinstalleng	msinstalleng	msinstalleng	msinstalleng	msinstalleng
Market	North America	North America	North America	North America	North America	North America



Electrolux Major Appliances  
 North & Latin America  
 P.O. BOX 212378  
 AUGUSTA, GA 30917

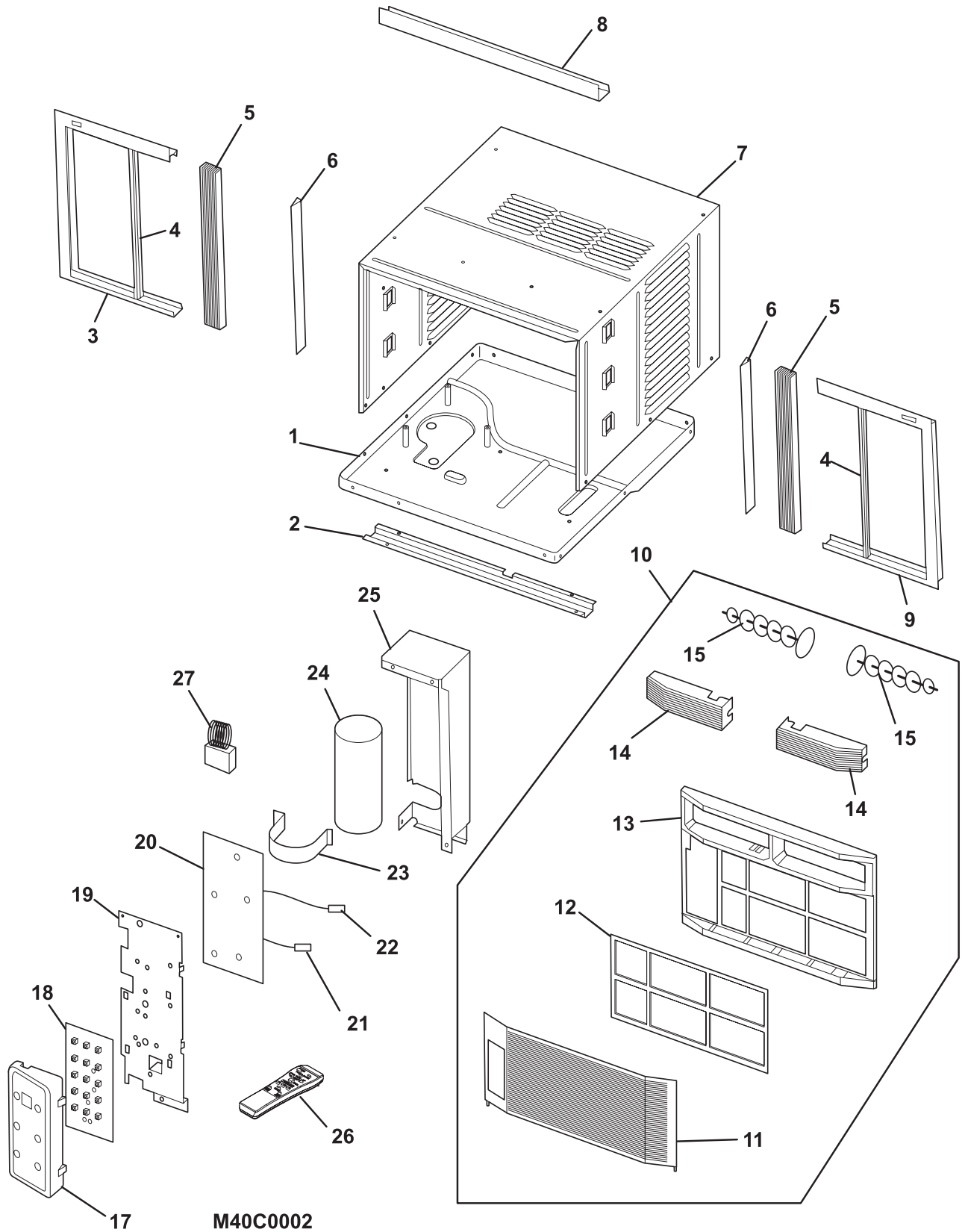
Publication No.  
**5995438743**  
 05/06/07  
 (EN/SERVICE/WC)  
 099

**ROOM AIR  
 CONDITIONER**

**Model No.  
 FAA086P7A**

Copyright © 2005 Electrolux Home Products, Inc.  
 All rights reserved.

### CABINET, FRONT, CONTROLS

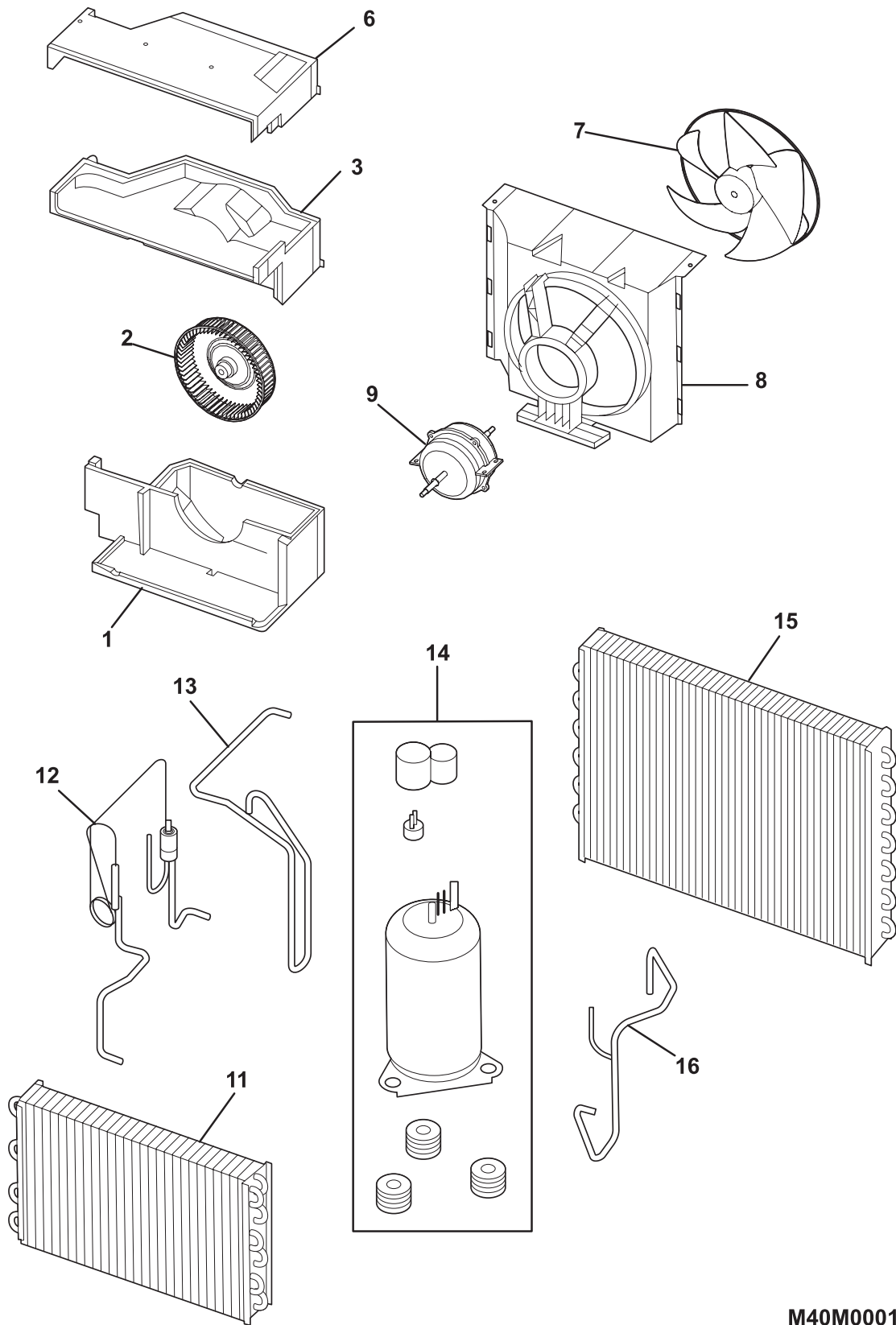


**CABINET, FRONT, CONTROLS**

Model Index: A FAA086P7A (FAA086P7A1)  
 B FAA086P7A (FAA086P7A2)  
 C FAA086P7A (FAA086P7A3)  
 D FAA086P7A (FAA086P7A4)  
 E FAA086P7A (FAA086P7A5)  
 F FAA086P7A (FAA086P7A6)

POS. NO	PART NO.		DESCRIPTION
1	5304446386	A B C D E F	Base, unit chassis
2	5304437068	A B C D E F	Rail, shutter track, bottom
3	5304437055	A B C D E F	Frame, shutter panel, LH
4	5304437052	A B C D E F	Retainer, shutter lock
5	5304437053	A B C D E F	Shutter, accordion panel
6	5304437057	A B C D E F	Retainer, shutter mount, cabinet sides
7	5304446348	A B C D E F	Cabinet, wrapper/sleeve
8	5304437069	A B C D E F	Rail, shutter track, top
9	5304437054	A B C D E F	Frame, shutter panel, RH
10	5304437063	A B C D E F	Front Assembly, complete panel, includes
11	5304437059	A B C D E F	Panel, front grille, tilt-out
12	5304437062	A B C D E F	Filter, air, plastic frame
13	5304437058	A B C D E F	Frame, front assembly
14	5304437061	A B C D E F	Louver, horizontal
15	5304437060	A B C D E F	Louver, vertical
17	5304436536	A B C D E F	Enclosure, control, pcb display
17*	5304436538	A B C D E F	Control Panel, display, electronic
18 #	5304437074	A B C D E F	PC Board, display/input
19	5304446346	A B C D E F	Panel, ctrl mtg board
20 #	5304436532	A B C D E F	PC Board, control/power
21 #	5304436543	A B C D E F	Sensor, ambient temp
22 #	5304436542	A B C D E F	Sensor, evap temp, defrost
23	5304436530	A B C D E F	Strap, capacitor mtg.
24 #	5304436528	A - - D - -	Capacitor
24 #	5304436527	- B C - E F	Capacitor
25	5304437070	A B C D E F	Control Box
26 #	5304436596	A B C D E F	Remote Control, transmitter
27 #	5304436529	A B C D E F	Ionizer

**COOLING & AIR FLOW SYSTEMS**



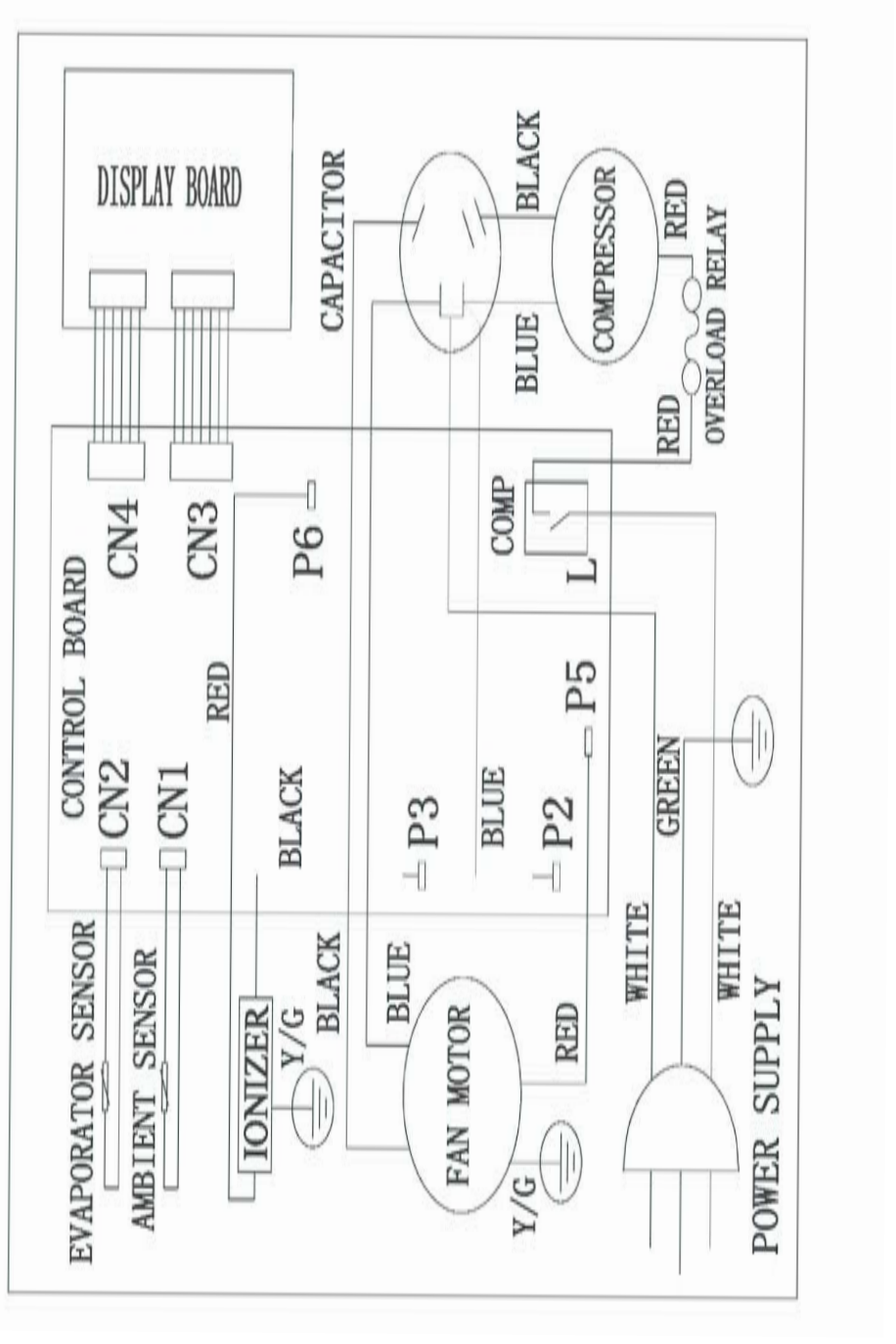
**M40M0001**

**COOLING & AIR FLOW SYSTEMS**

*Model Index:* A FAA086P7A (FAA086P7A1)  
 B FAA086P7A (FAA086P7A2)  
 C FAA086P7A (FAA086P7A3)  
 D FAA086P7A (FAA086P7A4)  
 E FAA086P7A (FAA086P7A5)  
 F FAA086P7A (FAA086P7A6)

POS. NO	PART NO.		DESCRIPTION
1	5304446349	A B C D E F	Scroll, blower housing, bottom
2 #	5304446350	A B C D E F	Blower Wheel, centrifugal fan
3	5304446351	A B C D E F	Scroll, blower housing, top
6	5304446355	A B C D E F	Cover, blower scroll, top
7 #	5304437049	A B C D E F	Fan Blade, propeller, axial flow
8 #	5304447863	A B C D E F	Shroud, fan housing
9 #	5304446392	A - C - - F	Motor, fan
9 #	5304446393	- B - D E -	Motor, fan
11 #	5304446373	A B C D E F	Evaporator
12 #	5304446378	A - - D - -	Capillary Tube
12 #	5304446385	- B C - E F	Capillary Tube
13 #	5304446388	A - - D - -	Discharge Tube
13 #	5304446391	- B C - E F	Discharge Tube
14 #	5304437077	A - - D - -	Compressor Assy
14 #	5304446390	- B C - E F	Compressor Assy
15 #	5304446387	A - - D - -	Condenser
15 #	5304446375	- B C - E F	Condenser
16 #	5304446381	A - - D - -	Suction Tube
16 #	5304446389	- B C - E F	Suction Tube
* #	5304446361	A B C D E F	Power Cord, electric, 115 V
*	5304458022	A B C D E F	Hardware Kit, installation

WIRING DIAGRAM



2202019158