

Frigidaire

Factory Parts Catalog

Product No.	GLRT86TEBA	GLRT86TEKA	GLRT86TEQA	GLRT86TESA	GLRT86TEWA
Series	R134a	R134a	R134a	R134a	R134a
Color	black	stainless (LH)	bisque	stainless (RH)	white
Volts	115	115	115	115	115
Wiring Diagram	240398801	240398801	240398801	240398801	240398801
Owner's Guide	240400113	240400113	240400113	240400113	240400113
Market	North America	North America	North America	North America	North America
Energy Guide	241613704	241613704	241613704	241613704	241613704
Service Data Sheet	240379018	240379018	240379018	240379018	240379018
Installation Instructions	240568301	240568301	240568301	240568301	240568301



Electrolux Major Appliances
 North & Latin America
 P.O. BOX 212378
 AUGUSTA, GA 30917

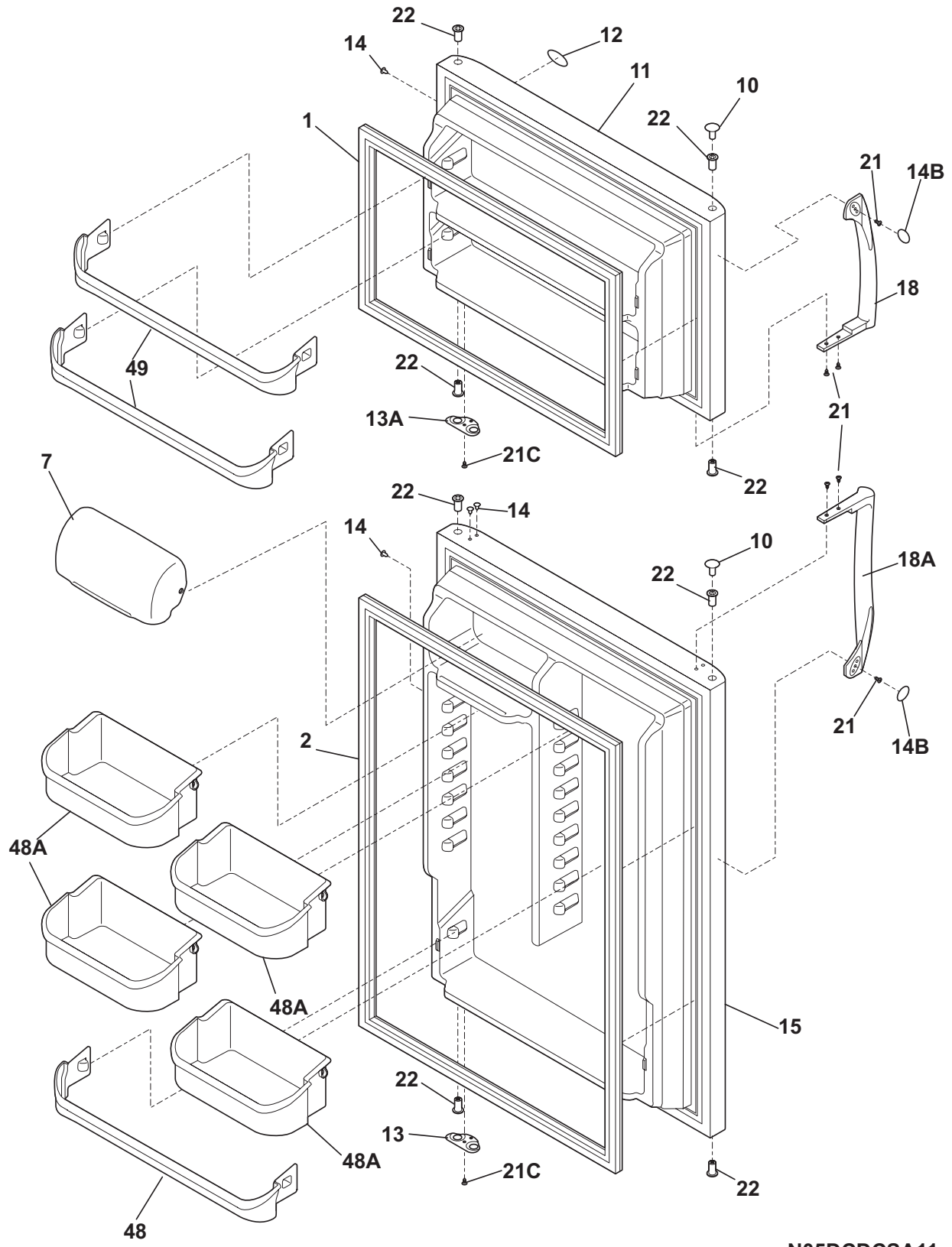
Publication No.
5995456620
 05/12/19
 (EN/SERVICE/WC)
 390

**TOP-MOUNT
 REFRIGERATOR**

**Model No.
 GLRT86TE**

Copyright © 2005 Electrolux Home Products, Inc.
 All rights reserved.

DOOR



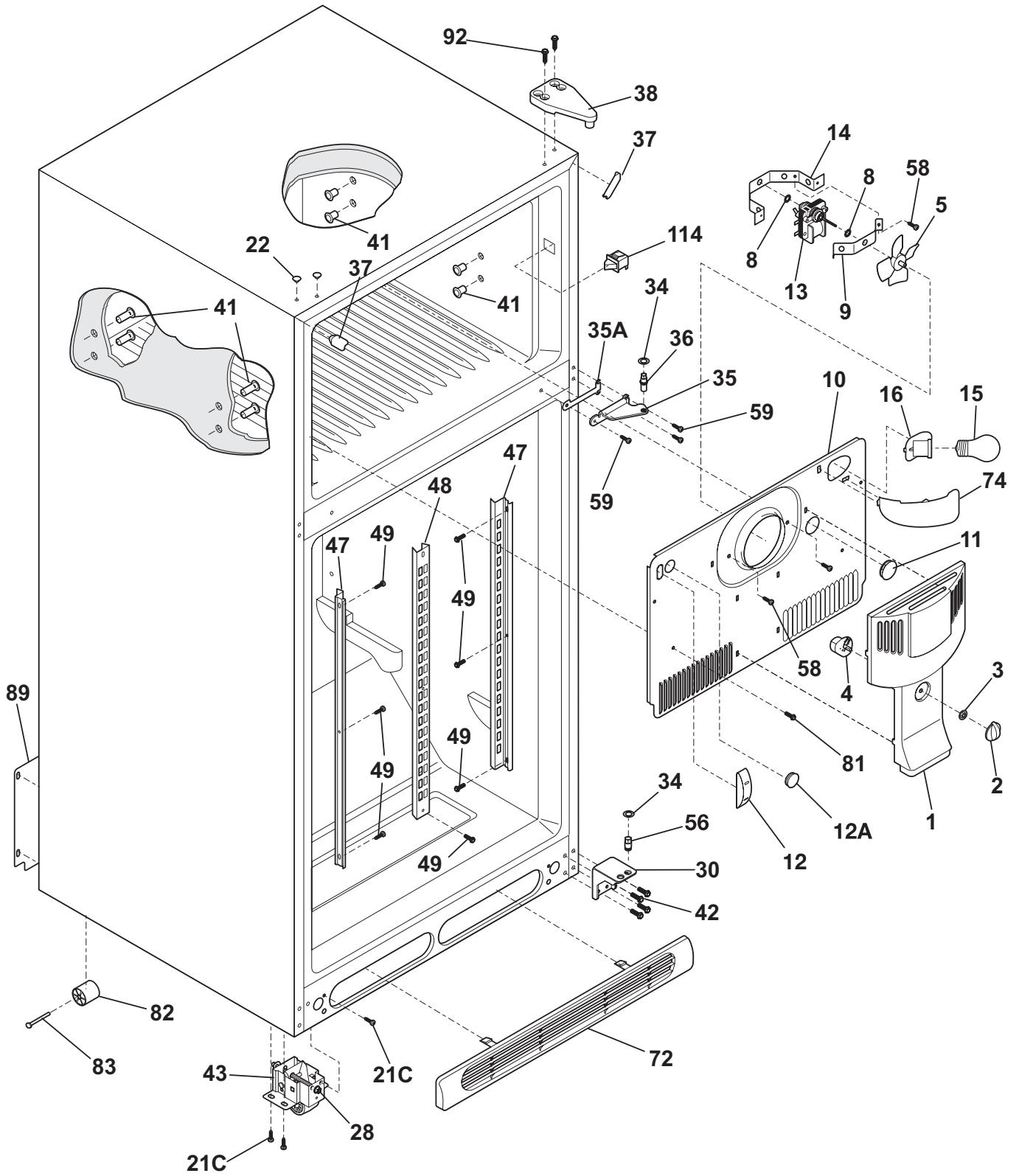
N05DCDCSA11

DOOR

Model Index: A GLRT86TE (GLRT86TEBA)
 B GLRT86TE (GLRT86TEKA)
 C GLRT86TE (GLRT86TEQA)
 D GLRT86TE (GLRT86TESA)
 E GLRT86TE (GLRT86TEWA)

POS. NO	PART NO.		DESCRIPTION
1	240542121	A B - D -	Gasket-frzr door, black, magnetic
1	240542115	- - C - E	Gasket-frzr door, white, magnetic
2	240542124	A B - D -	Gasket-refr door, black, magnetic
2	240542118	- - C - E	Gasket-refr door, white, magnetic
7	240338303	A B C D E	Door, dairy, clear
10	240381303	A - - - -	Plug-button, black, hinge brg hole
10	240381302	- - C - -	Plug-button, bisque, hinge brg hole, (2)
10	240381301	- - - - E	Plug-button, white, hinge brg hole, (2)
11	240409918	A - - - -	Door, frzr, black
11	241623306	- B - - -	Door-frzr, stainless, LH, complete assy
11	240409904	- - C - -	Panel-frzr door, bisque, complete assy
11	241623305	- - - D -	Door, frzr, stainless, RH, complete assy
11	240409903	- - - - E	Panel-frzr door, white, complete assy
12	240449703	A - - - -	Nameplate, black
12	240449704	- B - D -	Nameplate, satin nickel
12	240449702	- - C - -	Nameplate, bisque
12	240449701	- - - - E	Nameplate, white
13	240312405	A B - D -	Door Stop, black, refr
13	240312407	- - C - -	Door Stop, bisque, refr
13	240312403	- - - - E	Door Stop, white, refr
13A	240312406	A B - D -	Door Stop, black, frzr
13A	240312408	- - C - -	Door Stop, bisque, frzr
13A	240312404	- - - - E	Door Stop, white, frzr
14	240494003	A - - - -	Plug-button, black
14	240494002	- - C - -	Plug-button, bisque
14	240494001	- - - - E	Plug-button, white
14B	240383603	A B - D -	Plug-button, black, door handle
14B	240383602	- - C - -	Plug-button, bisque, door handle
14B	240383601	- - - - E	Plug-button, white, door handle
15	240410122	A - - - -	Door, refr, black
15	241623406	- B - - -	Door-refr, stainless steel, complete assy
15	240410104	- - C - -	Panel-refr door, bisque, complete assy
15	241623405	- - - D -	Door, refr, stainless steel, stainless, RH
15	240410103	- - - - E	Panel-refr door, white, complete assy
18	240339203	A B - D -	Handle-door, black, refr-LH/frzr-RH
18	240339204	- - C - -	Handle-door, bisque, refr-LH/frzr-RH
18	240339201	- - - - E	Handle-door, white, refr-LH/frzr-RH
18A	240339208	A B - D -	Handle-door, black, refr-RH/frzr-LH
18A	240339209	- - C - -	Handle-door, bisque, refr-RH/frzr-LH
18A	240339206	- - - - E	Handle-door, white, refr-RH/frzr-LH
21	240383401	A B C D E	Screw, truss hd quad, #10-16 x .500
21C	218252200	A B C D E	Screw, #8 truss hd, 10-32CA x 0.500
22	240527102	A B - D -	Bearing-hinge, black
22	240527101	- - C - E	Bearing-hinge, natural color
48	240338101	A B C D E	Bin-door, pseudo, bottom
48A	240430301	A B C D E	Bin-door, gallon
49	240495804	A B C D E	Bin-door, pseudo, frzr

CABINET



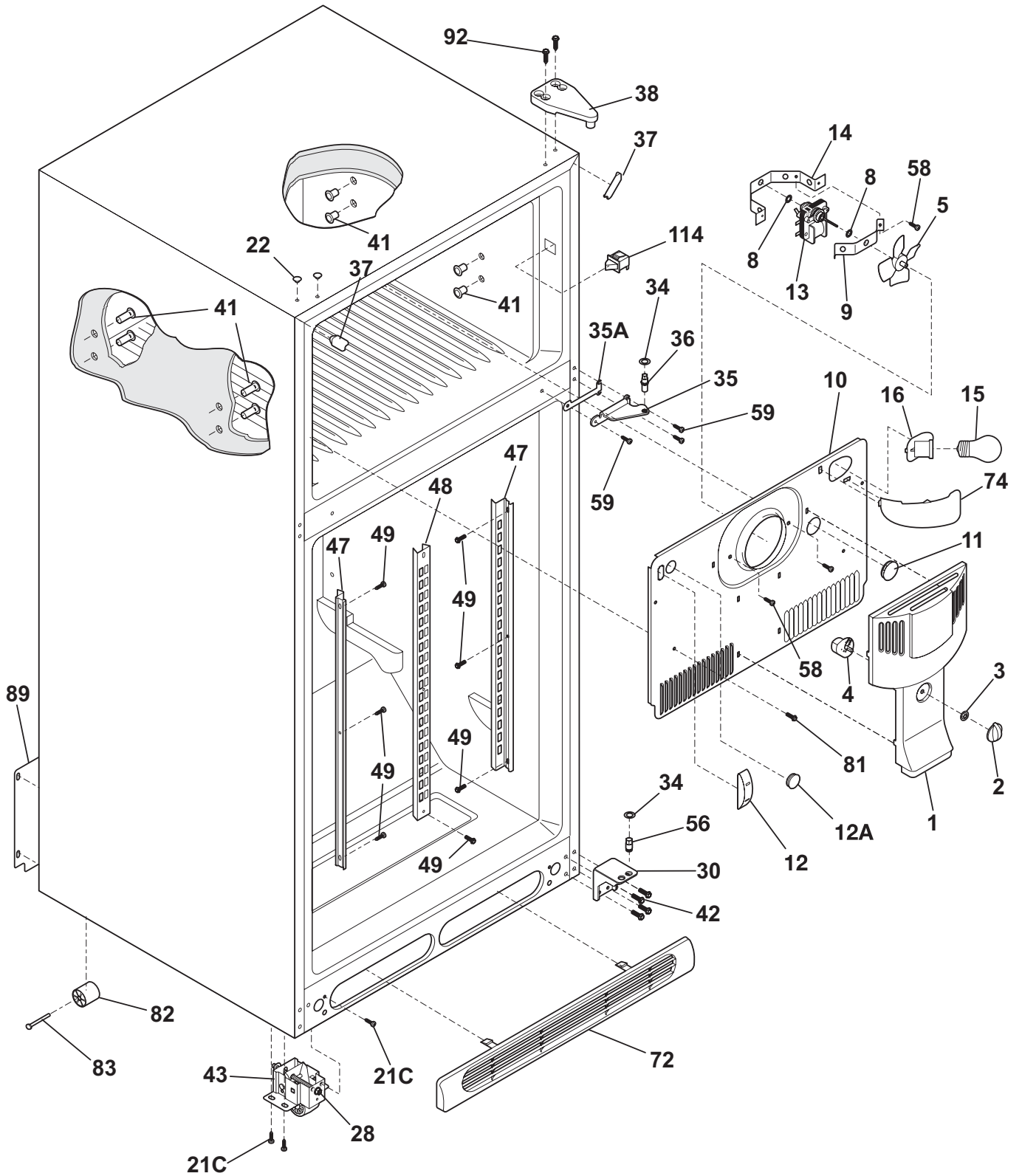
N05BAAABC4

CABINET

Model Index: A GLRT86TE (GLRT86TEBA)
 B GLRT86TE (GLRT86TEKA)
 C GLRT86TE (GLRT86TEQA)
 D GLRT86TE (GLRT86TESA)
 E GLRT86TE (GLRT86TEWA)

POS. NO	PART NO.	A	B	C	D	E	DESCRIPTION
1	241652301	A	B	C	D	E	Cover-fan
2	240367001	A	B	C	D	E	Knob-damper control
4	241523701	A	B	C	D	E	Damper-fan cover
5 #	5308000010	A	B	C	D	E	Fan Blade, red, evaporator fan
8	5300157666	A	B	C	D	E	Bushing-motor mtg, (2)
9	5303292396	A	B	C	D	E	Bracket-motor mtg, front
10	241652209	A	B	C	D	E	Cover-evap coil
10*	240568601	A	B	C	D	E	Seal-coil cover
10*	241537701	A	B	C	D	E	Wiring Harness, freezer section, with light
11	5303208309	A	B	C	D	E	Plug-hole, factory test
12	241557601	A	B	C	D	E	Plug-ice maker harness, rectangular
12A	240374401	A	B	C	D	E	Plug-wtr inlet tube, round, 1"
12A*	241586701	A	B	C	D	E	Plug-foam-wtr-inlet, round
13	240369702	A	B	C	D	E	Motor-evap fan
13*	215474201	A	B	C	D	E	Washer, "slinger", nylon, evap fan shaft
13*	218931001	A	B	C	D	E	Clamp-motor wiring, nylon, w/adhesive tape
14	5303292397	A	B	C	D	E	Bracket-motor mtg, rear
14*	240433201	A	B	C	D	E	Screw, hex washer head, 8-18 x 0.375
15	241560701	A	B	C	D	E	Light Bulb
16 #	241513901	A	B	C	D	E	Socket-light
21C	218252200	A	B	C	D	E	Screw, #8 truss hd, 10-32CA x 0.500
22	215774918	A	B	-	D	-	Plug-button, black, upr hinge holes
22	215774919	-	-	C	-	-	Plug-button, bisque, upr hinge holes
22	215774901	-	-	-	-	E	Plug-button, white, upr hinge holes
28	240335501	A	B	C	D	E	Bolt-roller adj, hex washer head, 1/4-20 x 4.020, (2), special
30	240314003	A	B	-	D	-	Bracket-lower hinge, black
30	240314001	-	-	C	-	E	Bracket-lower hinge, zinc
34	240311303	A	B	C	D	E	Washer, hinge, nylon, (2)
35	240313803	A	B	-	D	-	Bracket-ctr hinge, black
35	240313801	-	-	C	-	E	Bracket-ctr hinge, zinc
35A	240336802	A	B	C	D	E	Spacer-hinge, center
36	240516401	A	B	C	D	E	Pin-center hinge
37	241611303	A	B	-	D	-	Trim-cabinet corner, black, (2)
37	241611304	-	-	C	-	-	Trim-cabinet corner, bisque, (2)
37	241611301	-	-	-	-	E	Trim-cabinet corner, white, (2)
38	241622603	A	B	-	D	-	Bracket-upper hinge, plastic, black
38	241622604	-	-	C	-	-	Bracket-upper hinge, plastic, bisque
38	241622601	-	-	-	-	E	Bracket-upper hinge, plastic, white
41	5308009759	A	B	C	D	E	Grommet, shelf mtg, 1.25", LH, (4)
42	240578901	A	B	C	D	E	Screw-hinge mtg, hex head, 1/4-20 x 5/8
43	240335003	A	B	C	D	E	Roller Assy, adjustable, front, (2)
47	218233300	A	B	C	D	E	Channel-shelf mtg, side, (2)
48	241566901	A	B	C	D	E	Channel-shelf mtg, center (mll)
49	218362500	A	B	C	D	E	Screw, hex washer head, 8-18AB x 1.250, spacer, (2)
56	240516501	A	B	C	D	E	Pin-lower hinge
58	240433202	A	B	C	D	E	Screw, hex washer head, 8-18 x 5/16

CABINET



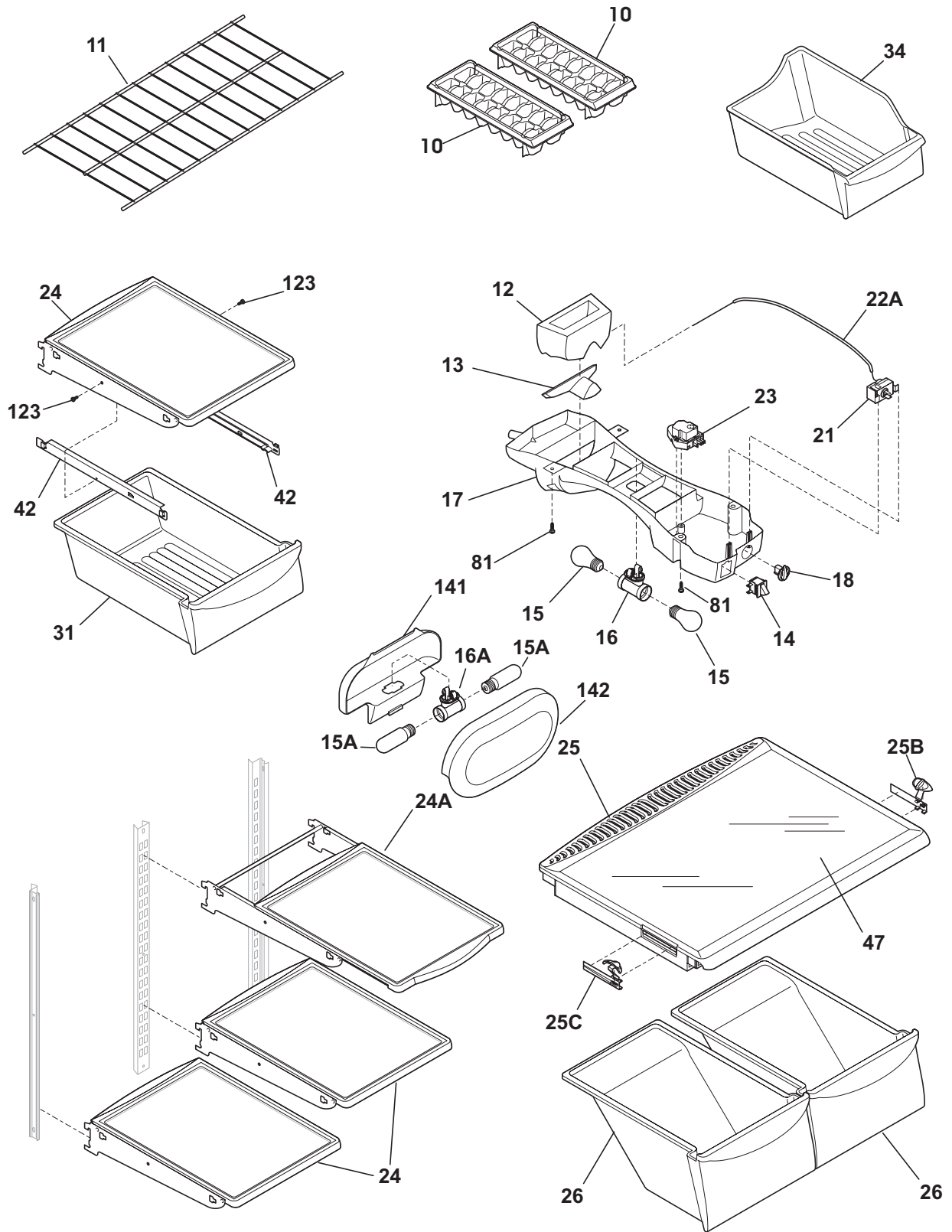
N05BAAABC4

CABINET

Model Index: A GLRT86TE (GLRT86TEBA)
 B GLRT86TE (GLRT86TEKA)
 C GLRT86TE (GLRT86TEQA)
 D GLRT86TE (GLRT86TESA)
 E GLRT86TE (GLRT86TEWA)

POS. NO	PART NO.		DESCRIPTION
59	240442703	A B - D -	Screw-#10-32 X 3/4, black
59	240442701	- - C - E	Screw-#10-32 X 3/4, zinc
72	240368207	A B - D -	Grille/Kickplate, black
72	240368206	- - C - -	Grille/Kickplate, bisque
72	240368205	- - - - E	Grille/Kickplate, white
74	240354301	A B C D E	Shield-light, frzr
81	5308016566	A B C D E	Screw, hex washer head, 8-15A x 0.625, low profile
82	5304418225	A B C D E	Roller, compressor base, rear, (2)
83	5303316859	A B C D E	Rivet, flat head, 1/4 OD x 1-3/4, roller pin
89	241574607	A B C D E	Cover-access, w/label
89*	241500302	A B C D E	Screw, hex washer head, 8-18AB x 0.625
92	241624301	A B C D E	Screw-hinge mtg, hex head, 1/4-20 x 1.00
114	241554901	A B C D E	Switch-light/lamp
*	240479601	A B C D E	Plug, button, cab liner holes, (2)
*	5303321321	A B - D -	Paint, touch-up, black
*	5304414035	- - C - -	Paint, touch-up, bisque
*	5303305324	- - - - E	Paint, touch-up, white

SHELVES



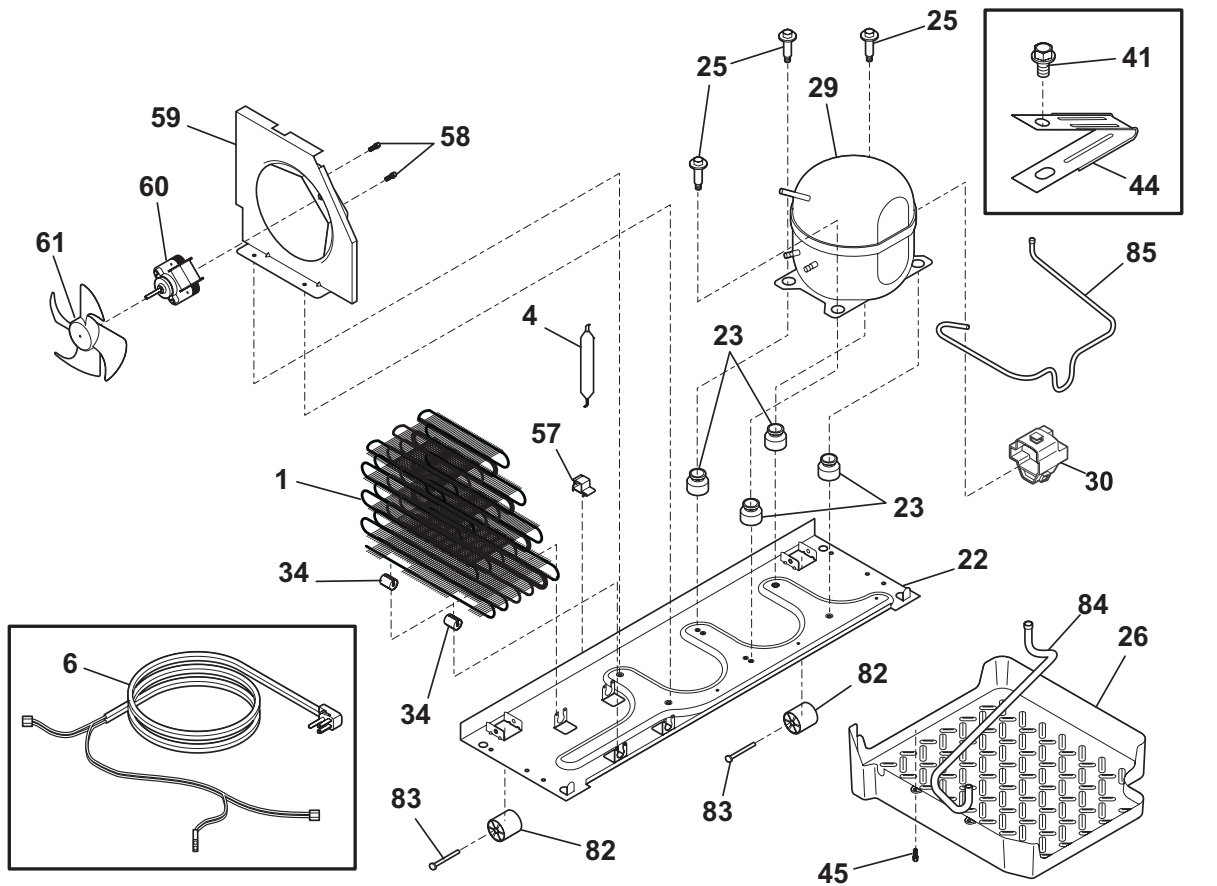
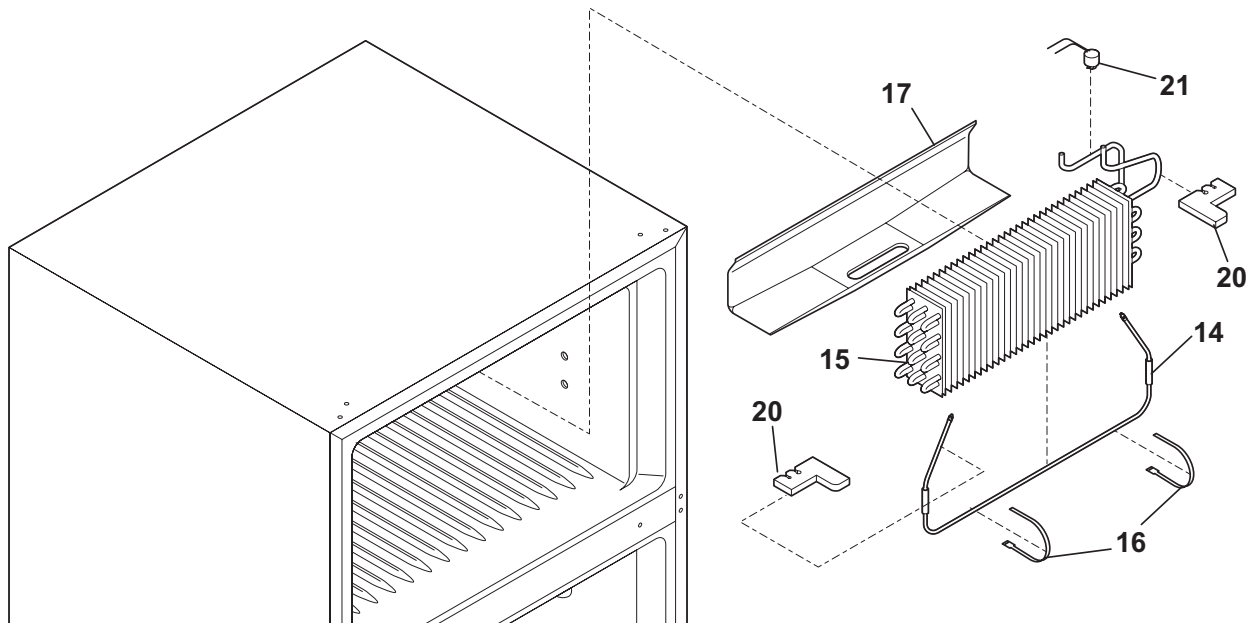
N05SABAFX19

SHELVES

Model Index: A GLRT86TE (GLRT86TEBA)
 B GLRT86TE (GLRT86TEKA)
 C GLRT86TE (GLRT86TEQA)
 D GLRT86TE (GLRT86TESA)
 E GLRT86TE (GLRT86TEWA)

POS. NO	PART NO.	A	B	C	D	E	DESCRIPTION
10	215667501	A	B	C	D	E	Tray, ice cube, plastic
11	240358005	A	B	C	D	E	Shelf, freezer, full-width, wire
12	240545001	A	B	C	D	E	Diffuser, air, top
13	240362601	A	B	C	D	E	Diffuser, air, bottom
14 #	241554901	A	B	C	D	E	Switch-light/lamp
15	241555401	A	B	C	D	E	Light Bulb
15A	241552802	A	B	C	D	E	Light Bulb
16	240364201	A	B	C	D	E	Socket-light/lamp, dual
16A	241507803	A	B	C	D	E	Socket-light
16A*	241593901	A	B	C	D	E	Harness-wiring
17	240352701	A	B	C	D	E	Control Box
17*	241566801	A	B	C	D	E	Harness-wiring, c/box M/Level
18	240360801	A	B	C	D	E	Knob, temp control
21 #	5304421256	A	B	C	D	E	Control, temperature
22A	240468201	A	B	C	D	E	Tube, sensor sleeve, 31 inch, plastic, white
23 #	215846606	A	B	C	D	E	Timer, defrost, 60 Hz, 0.25 W, 120 V, 10 hour/30 min
23*	5303001259	A	B	C	D	E	Screw-timer mtg, pan hd, 6-20 x 0.438, (2)
24	241616604	A	B	C	D	E	Shelf, fixed, Spill Safe
24A	241616704	A	B	C	D	E	Shelf, sliding, cantilever, "Spill-Safe"
25	240364714	A	B	C	D	E	Cover-crisper pan
25B	241613501	A	B	C	D	E	Control-humidity, RH
25C	241613502	A	B	C	D	E	Control-humidity, LH
26	240337107	A	B	C	D	E	Pan-crisper, clear, (2), no graphics
31	240530810	A	B	C	D	E	Pan, meat bin
34	240385201	A	B	C	D	E	Container, ice bin
42	240356501	A	B	C	D	E	Track, meat pan hanger, RH
42	240365401	A	B	C	D	E	Track, meat pan hanger, LH
47	240350650	A	B	C	D	E	Insert-pan cover, glass
81	5308016566	A	B	C	D	E	Screw, hex washer head, 8-15A x 0.625, low profile
123	215005100	A	B	C	D	E	Screw, hanger/rlr mtg, 8-10 x 0.438
141	241562101	A	B	C	D	E	Shield-heat, Mid Level
142	241562201	A	B	C	D	E	Shield-light Mid Level

SYSTEM



N05CAAAA21

SYSTEM

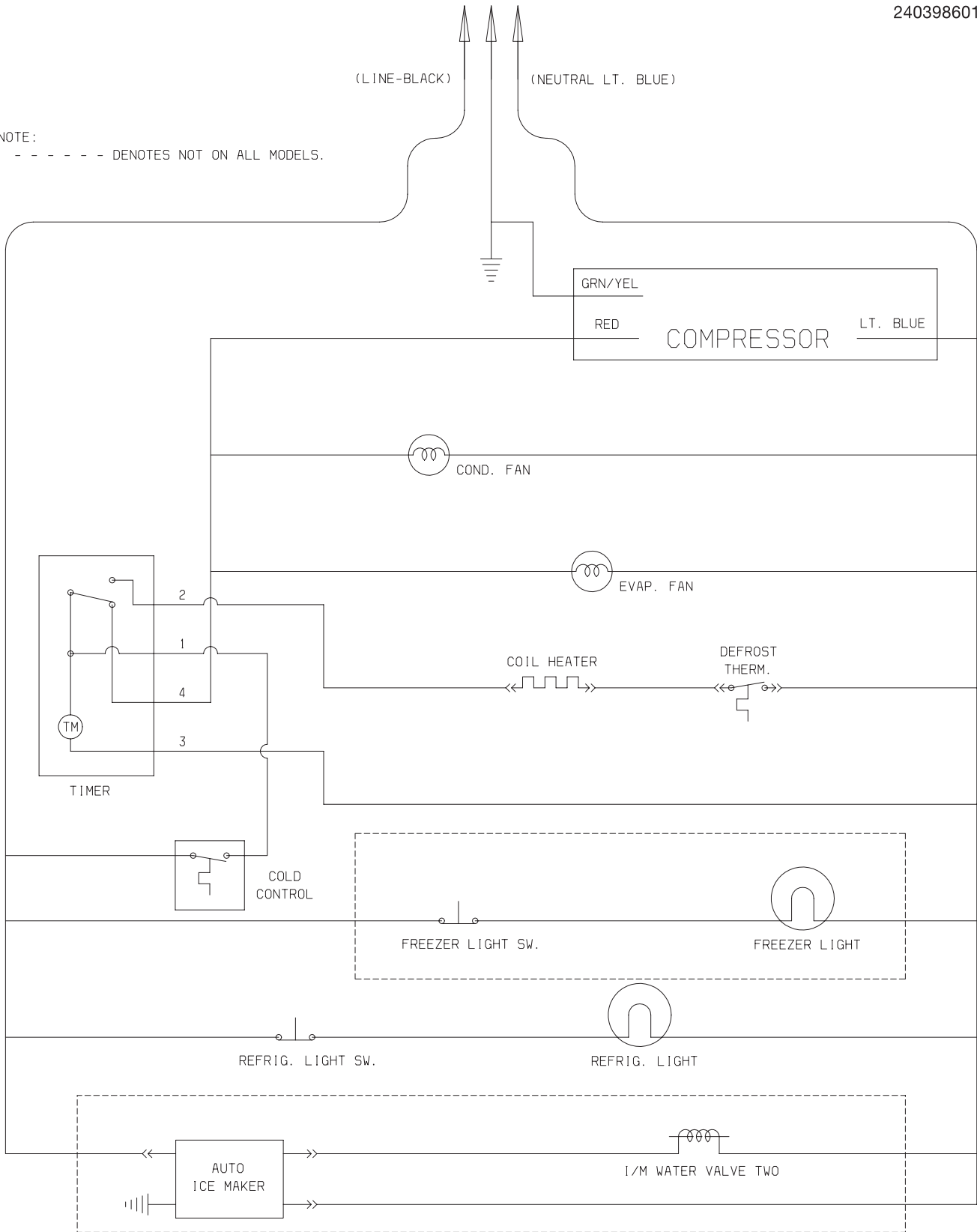
Model Index: A GLRT86TE (GLRT86TEBA)
 B GLRT86TE (GLRT86TEKA)
 C GLRT86TE (GLRT86TEQA)
 D GLRT86TE (GLRT86TESA)
 E GLRT86TE (GLRT86TEWA)

POS. NO	PART NO.		DESCRIPTION
1	241665701	A B C D E	Condenser, dynamic
4 #	218944001	A B C D E	Drier-filter, R134a System
6 #	241607001	A B C D E	Harness-wiring, machine compt
6*	241537701	A B C D E	Wiring Harness, freezer section, with light
6*	241566801	A B C D E	Harness-wiring, c/box M/Level
14 #	240356214	A B C D E	Heater-defrost
15 #	5303918274	A B C D E	Evaporator Kit
16	5308000110	A B C D E	Strap-evap/heater, aluminum, (2)
17	241551801	A B C D E	Trough-drain
20	241551901	A B C D E	Insulation Block
21 #	5303918202	A B C D E	Thermostat-defrost, kit
22	241665501	A B C D E	Base-compressor
22*	218252200	A B C D E	Screw, #8 truss hd, 10-32CA x 0.500
23	218513300	A B C D E	Grommet-compr mtg, (4)
25	240491501	A B C D E	Screw-compressor mtg, 1/4-28 x 1.16, shoulder, typ CF
26	240332608	A B C D E	Pan-defrost drain
29 #	5303918326	A B C D E	Compressor, w/electricals
30 #	241667501	A B C D E	Relay Combo
34	240405201	A B C D E	Grommet, rubber, black, cond tube/wire
41	218897001	A B C D E	Screw, hex washer head, 8-32 x 1/4
44	5303001199	A B C D E	Clamp-wiring harness, strain relief, galv steel
45	5308016566	A B C D E	Screw, hex washer head, 8-15A x 0.625, low profile
57	240542601	A B C D E	Clip-wiring harness
58	218897002	A B C D E	Screw, hex washer head, 8-32 x 0.375
59	5304430246	A B C D E	Bracket-cond motor assy
59*	240346701	A B C D E	Tape-foam seal, shroud
59*	240359401	A B C D E	Screw-fan shroud, (2)
60	240525402	A B C D E	Motor, condensor fan
61 #	240524101	A B C D E	Fan Blade, galv steel, condenser fan
82	5304418225	A B C D E	Roller, compressor base, rear, (2)
83	5303316859	A B C D E	Rivet, flat head, 1/4 OD x 1-3/4, roller pin
84	240500801	A B C D E	Tube-drain, rubber, lower
85	240493101	A B C D E	Tube-connector, suction
*	240396801	A B C D E	Clamp, tube/wiring, nylon, black/natural
*	5303918263	A B C D E	Heat Exchanger Kit, suction line
*	5303918222	A B C D E	Hot Tube Repair Kit, service

WIRING SCHEMATIC

240398601

NOTE:
- - - - - DENOTES NOT ON ALL MODELS.



WIRING DIAGRAM

