

ZDBT240PBS

GE Monogram Beverage Center with Liquid Crystal Privacy Glass

Dimensions and Installation Information

Installation Space

The Monogram® Beverage Center may be installed beneath a countertop or can be used free-standing.

- If installing between frameless cabinets, a 1/2"-wide filler strip or side panel may be required. The filler strip will act as a spacer between the door case and adjacent cabinet and will prevent interference with cabinet door swing. The width of the opening must include filler panels.

Note: When installed, the door should project forward 1" of adjacent 24"-deep cabinets.

Location Requirements

All Monogram Refrigeration Modules may be closed in on the top and sides as long as the front is unobstructed for air circulation and door swing.

- Do not install these products where the temperatures will go below 55°F (13°C) or above 90°F (32°C).
- Do not install where they will be subject to direct sunlight, heat or moisture.
- These products are not designed to be stacked one over the other.

Side-by-Side Installation

For a complete refreshment center, install a Monogram Wine Reserve and Beverage Center together.

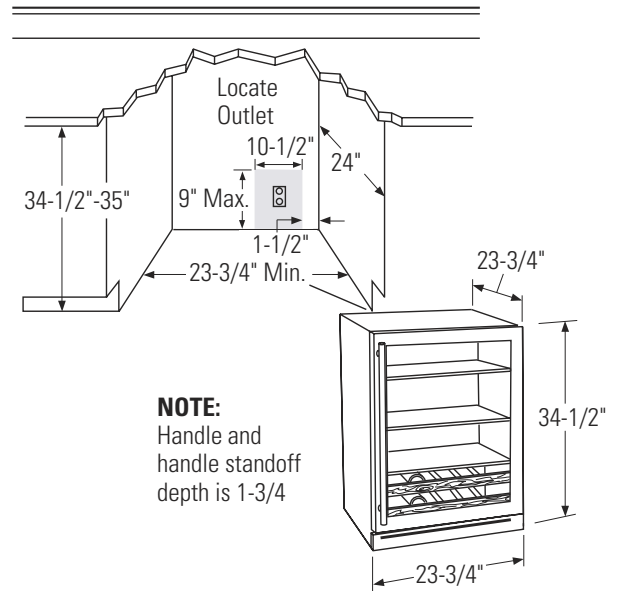
- Products must operate from separate properly grounded receptacles.
- Do not install where they will be subject to direct sunlight, heat or moisture.

Door Swing Clearances

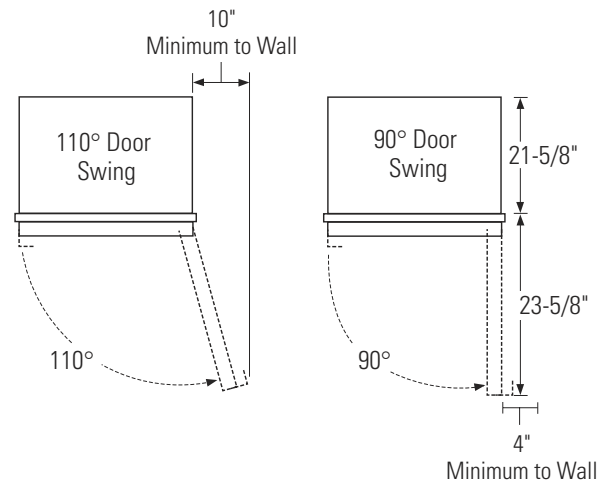
All Monogram Refrigeration Modules are factory set for a 110° door swing. When installed in a corner:

- Allow the minimum door swing clearances shown.
- The minimum clearance shown at 90° will allow full extension of drawers and shelves.

For answers to your Monogram®, GE Profile™ or GE® appliance questions, visit our website at ge.com or call GE Answer Center® service, 800.626.2000.



Dimensions and installation instructions are shown in inches.



Electrical

A 120V, 60Hz, 15 or 20 amp power supply is required. An individual properly grounded branch circuit or circuit breaker is recommended. Install a properly grounded 3-prong electrical recessed into the back wall as shown. Electrical must be located on rear wall as shown. **Note:** GFCI (ground fault circuit interrupter) is not recommended.



imagination at work



Listed by
Underwriters
Laboratories

Specification Created 10/04

120042

ZDBT240PBS

GE Monogram Beverage Center with Liquid Crystal Privacy Glass

Grounding the Beverage Center

IMPORTANT — (Please read carefully)

FOR PERSONAL SAFETY, THIS APPLIANCE MUST BE PROPERLY GROUNDED.

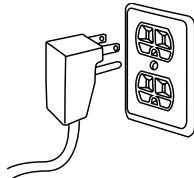
The power cord of this appliance is equipped with a 3-prong (grounding) plug which mates with a standard 3-prong (grounding) wall receptacle to minimize the possibility of electric shock hazard from this appliance.

Have the wall outlet and circuit checked by a qualified electrician to make sure the outlet is properly grounded.

When a standard 2-prong wall outlet is encountered, it is your personal responsibility and obligation to have it replaced with a properly grounded 3-prong wall out.

DO NOT, UNDER ANY CIRCUMSTANCES, CUT OR REMOVE THE THIRD (GROUND) PRONG FROM THE POWER CORD.

DO NOT USE AN ADAPTER PLUG TO CONNECT THE REFRIGERATOR TO A 2-PRONG OUTLET.



DO NOT USE AN EXTENSION CORD WITH THIS APPLIANCE.

For answers to your Monogram,[®] GE Profile[™] or GE[®] appliance questions, visit our website at ge.com or call GE Answer Center[®] service, 800.626.2000.



imagination at work

Specification Created 10/04

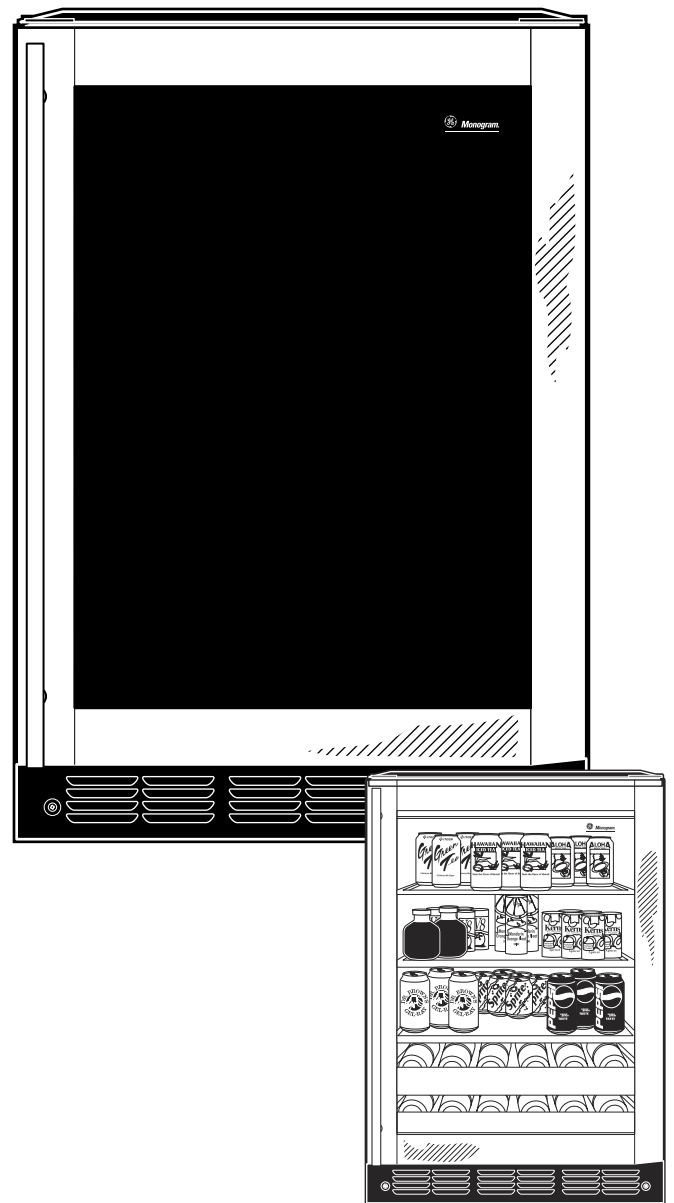
120042

ZDBT240PBS

GE Monogram Beverage Center with Liquid Crystal Privacy Glass

Features and Benefits

- Privacy glass – Innovative liquid-crystal technology allows you to turn glass from opaque to clear with a simple press of the button. Opaque setting conceals contents from view
- Temperature control – Maintains a consistent temperature
- LED temperature display – Allows you to monitor the temperature at a glance
- Beverage shelf on full-extension slides – Holds up to five wine bottles or ten 12-oz. cans
- Unfinished heart-of-cherry wood shelf fronts – Can be finished to complement surrounding cabinetry
- Removable spillproof glass shelves – Help contain spills for ease of cleaning
- QuickSpace™ Shelf – Quickly slides out of the way to make room for tall items
- Soft interior lighting – Automatically illuminates when the door is open, but can be activated by an on/off switch on the handle
- Glass becomes clear and light comes on by touching the on/off switch. The light stays illuminated for one hour or until you turn it off
- Stainless steel tubular handle – Designed to coordinate with other Monogram appliances
- Includes stainless steel and black toekicks
- Model ZDBT240PBS – Stainless steel



imagination at work