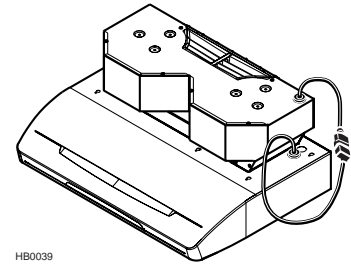


E662 RANGE HOOD



HB0039

The Broan Elite E662 model is part of our new generation of range hoods: stylish, powerful, and most of all, quieter than ever.

FEATURES

- Sleek, classic smooth shell design makes cleaning easy
- Created to work over high BTU residential grade cooking equipment
- Colors available: White or Black durable powder-coated paint finishes for 30" and 36" widths, and Stainless Steel for 30", 36" or 42" widths
- Dishwasher safe stainless steel and aluminum filters with metal latch
- Recessed bottom and forward filters increase capture capability
- Dual 50-Watt halogen lights focus toward the center for brilliant full cooktop lighting (MR16 GU10 bulbs not included)
- Comes with dual blower cabinet system for quiet operation
- Seamless glass-look control
- Variable delay shut-off feature; 5, 10, 15 or 20-minute settings
- Exclusive I-Control™ senses the touch of a finger without moving parts, smooth design for easy cleaning
- Self-locking control to avoid accidental operation when being cleaned
- Broan Heat Sentry - automatically turns blower to third speed when excess cooking heat is detected
- Versatile design allows for a 3¼" x 14" horizontal or vertical discharge

TYPICAL SPECIFICATION

Range hood shall be Broan Elite E662.

Unit will have all over smooth design, with no sharp edges. Finish to be powder-coated paint (brushed finish stainless steel). It must have a fully enclosed stainless steel bottom and full stainless steel and aluminum filters.

Blower discharge to be 3¼" x 14", horizontal or vertical.

Range hood to have dual blower cabinet system and twin, 50-watt (max.) halogen flood max. Blower and light shall be operated using a specially-designed, 3-speed control with boost, memorizes last setting, with 5, 10, 15, 20-minute delayed "off".

Air delivery shall be no less than 800 cfm. Sound level to be no greater than 1.2 sones/170 cfm - 4.5 sones/490 cfm - 9.0 sones/800 cfm (boost mode).

Air and sound ratings to be certified by HVI. Unit shall be U.L. and cU.L. listed.

SPECIFICATIONS

Volts	120
HZ	60
Amps	2.4
CFM (high)	490*
Sones (norm.)	1.2
Sones (high)	4.5*
Controls	3-speed electronic with memory, plus boost mode.
Halogen Flood Light	MR16 GU10†
Broan Heat Sentry	Yes

* 800 cfm & 9.0 sones in boost mode.

†2 bulbs req. (not included).

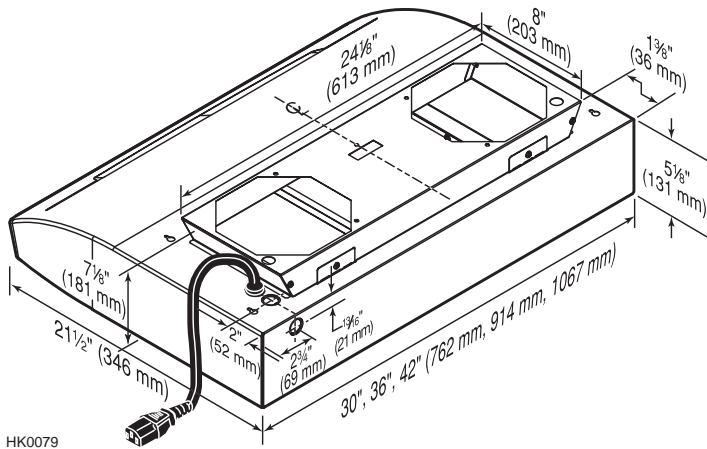


HVI-2100 CERTIFIED RATINGS comply with the new testing technologies and procedures prescribed by the Home Ventilation Institute, for off-the-shelf products, as they are available to consumers. Product performance is rated at 0.1 in. static pressure, based on tests conducted in AMCA's state-of-the-art laboratory. Sones are a measure of humanly produced loudness, based on laboratory measurements.

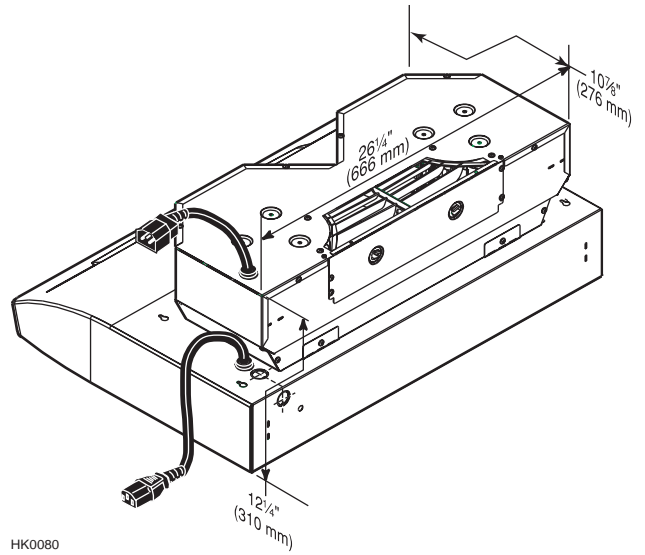
Broan-NuTone LLC, 926 West State Street, Hartford, WI 53027 (1-800-637-1453)
 Broan-NuTone Canada, Inc., 1140 Tristar Drive, Mississauga, Ontario, L5T 1H9 (1-888-882-7626)

REFERENCE	QTY.	REMARKS	Project
			Location
			Architect
			Engineer
			Contractor
			Submitted by Date

BROAN ELITE E662 DIMENSIONS

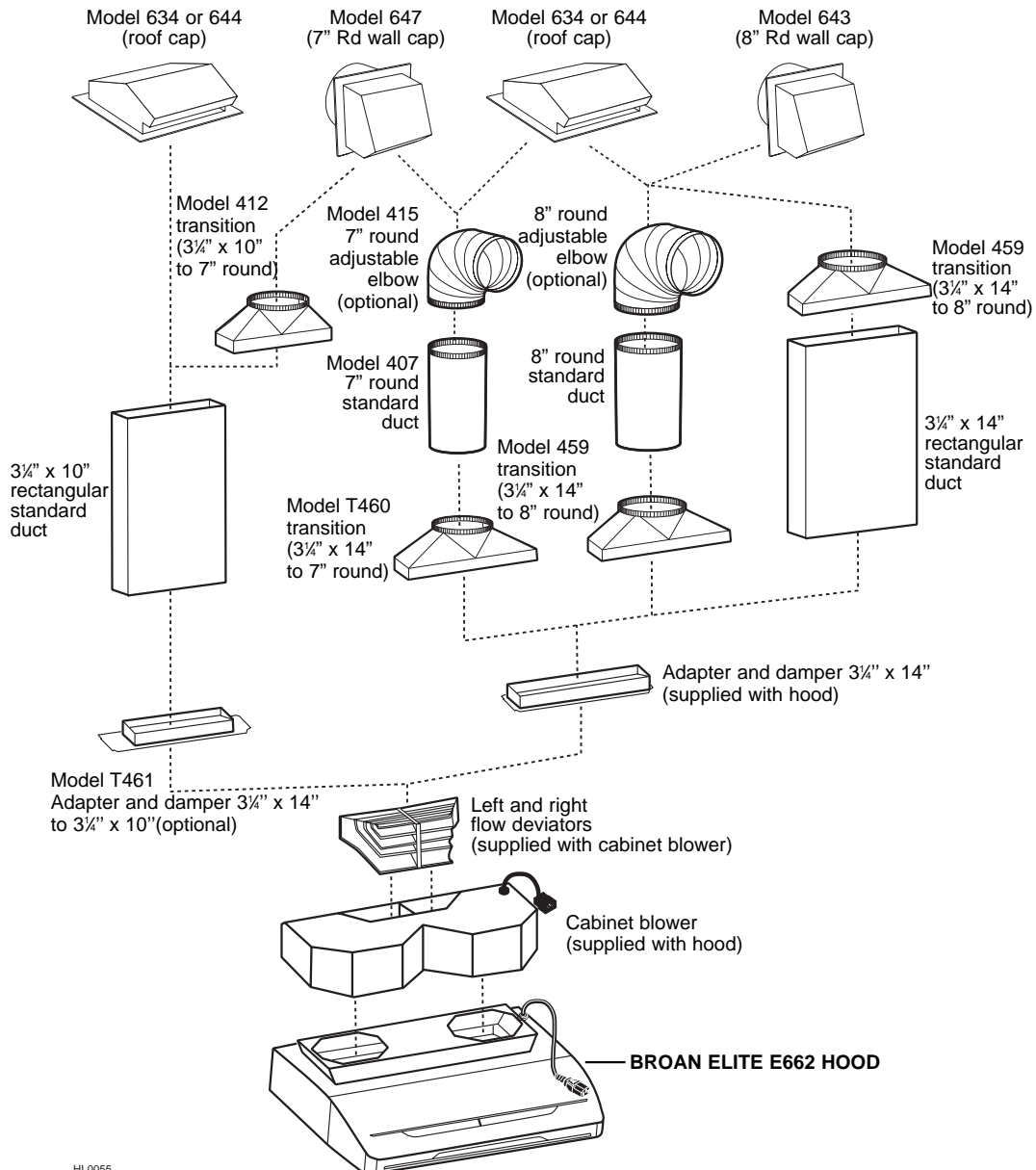


HK0079



HK0080

BROAN ELITE E662 HOOD SYSTEM



HL0055