

Frigidaire

Factory Parts Catalog

Product No.	PLHS69EGSS1
Series	R134a
Color	stainless
Volts	115
Wiring Diagram	241689701
Owner's Guide	241695101
Market	North America
Energy Guide	241649279
Service Data Sheet	241636602

 **Electrolux**

Electrolux Major Appliances
North & Latin America
P.O. BOX 212378
AUGUSTA, GA 30917

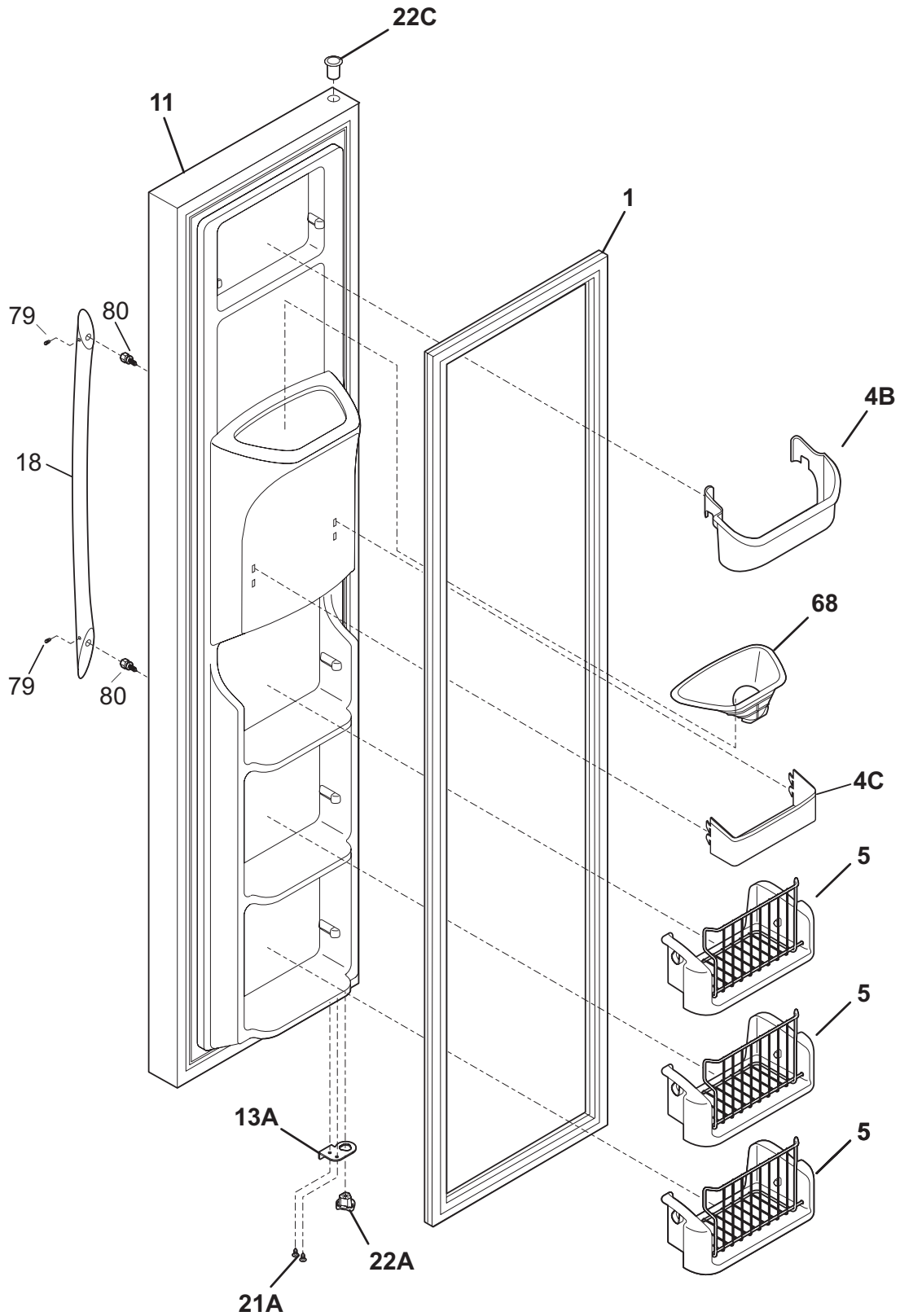
Publication No.
5995468013
06/06/13
(EN/SERVICE/DCS)
137

**SIDE-BY-SIDE
REFRIGERATOR**

Model No.
PLHS69EG

Copyright © 2006 Electrolux Home Products, Inc.
All rights reserved.

FREEZER DOOR

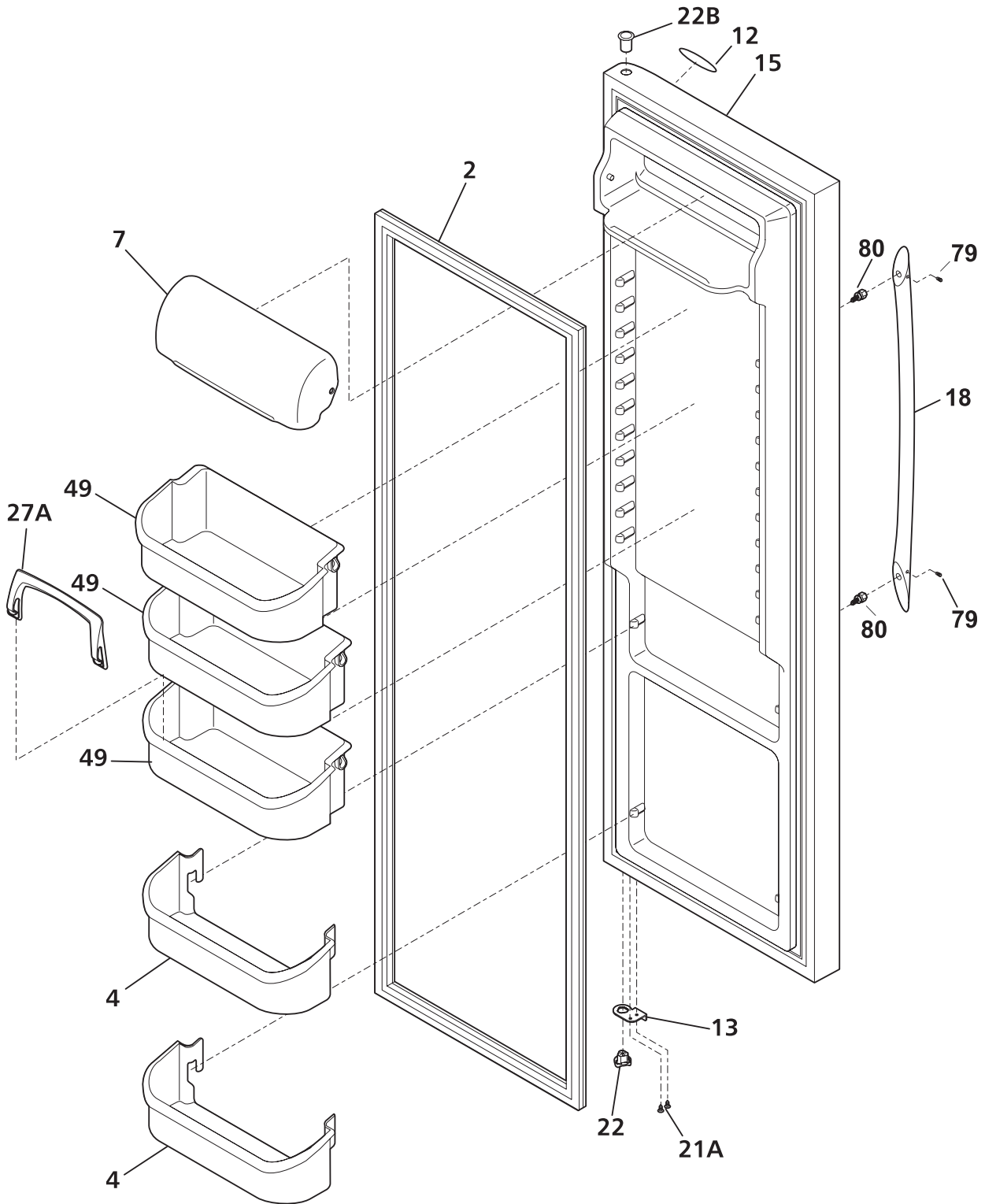


N58FFDEEA2

FREEZER DOOR

POS. NO	PART NO.	DESCRIPTION
1 #	241674806	Gasket-frzr door, black, magnetic
4B	240334202	Bin-door, frzr-upper
4C	240351702	Bin-door, frzr-dispenser
5	241545005	Bin-tilt out, tilt-out
11	241668500	Door-frzr, stainless, complete assy
13A	240581906	Door Stop, black, frzr
18	240536813	Handle-door, stainless steel
21A	240598402	Screw, 10-32 x 1/2
22A	240328204	Bearing-hinge(frz), black, closer
22C	240328404	Bearing-hinge, black, upper
68	241525101	Chute-ice
79	218755402	Screw-set, 10-32 x 0.375
80	218755504	Screw-shoulder, #10 AB, handle mounting
*	240352102	Connector-water, straight
*	240552102	Harness-wiring, door
*	5303918256	Dispenser heater kit

REFRIGERATOR DOOR

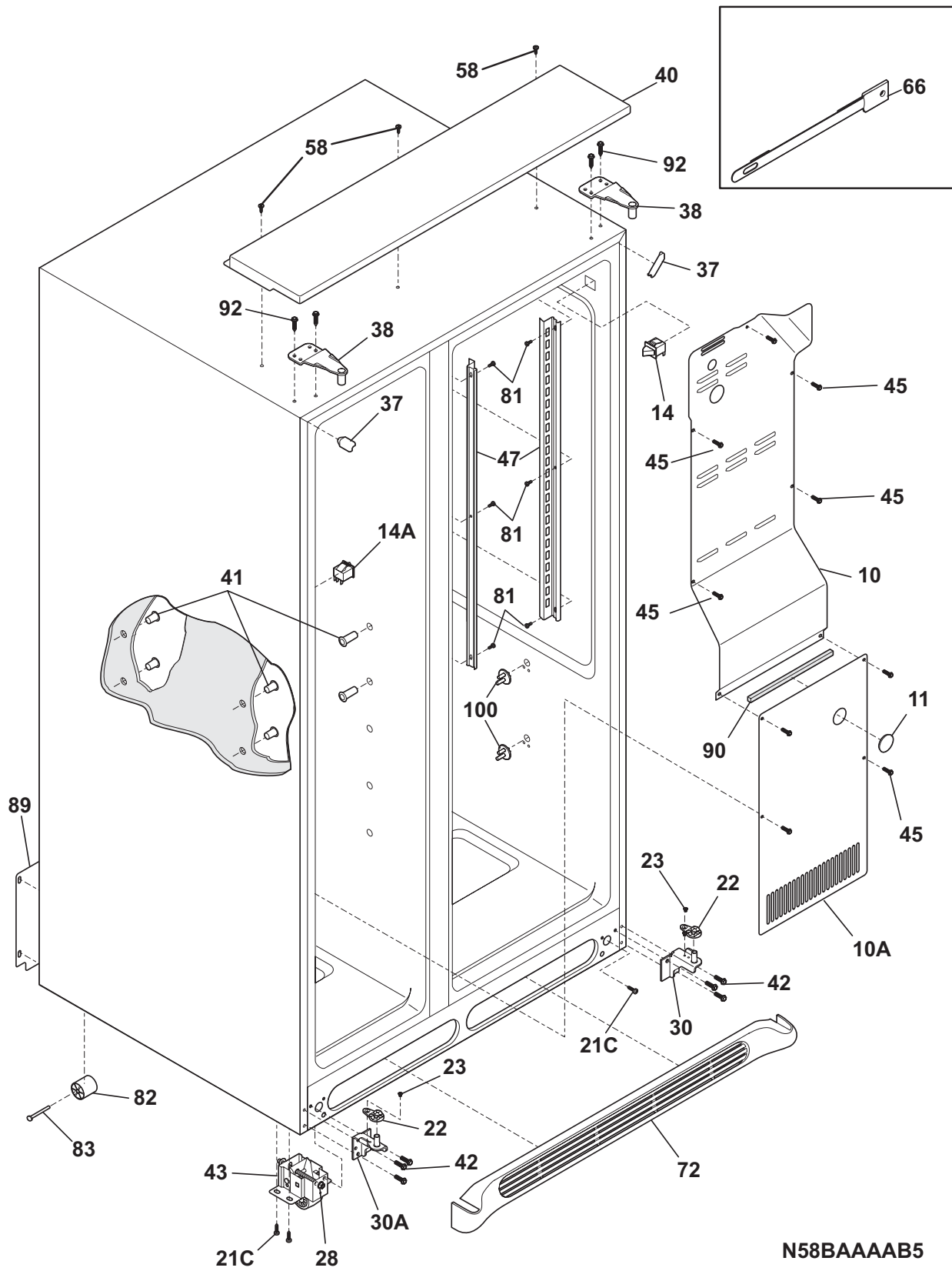


N58RFCBBC7

REFRIGERATOR DOOR

POS. NO	PART NO.	DESCRIPTION
2 #	241674805	Gasket-refr door, black, magnetic
4	240323002	Bin-door, pseudo, bottom
7	240326203	Door-dairy
12	240558802	Label-nameplate
13	240581905	Door Stop, black, ref
15	241534541	Door-refr, stainless steel, complete assy
18	240536813	Handle-door, stainless steel
21A	240598402	Screw, 10-32 x 1/2
22	240328203	Bearing-hinge, black, closer
22B	240328404	Bearing-hinge, black, upper
27A	240396102	Retainer, tall bottle
49	240430312	Bin-door, gallon
79	218755402	Screw-set, 10-32 x 0.375
80	218755504	Screw-shoulder, #10 AB, handle mounting

CABINET

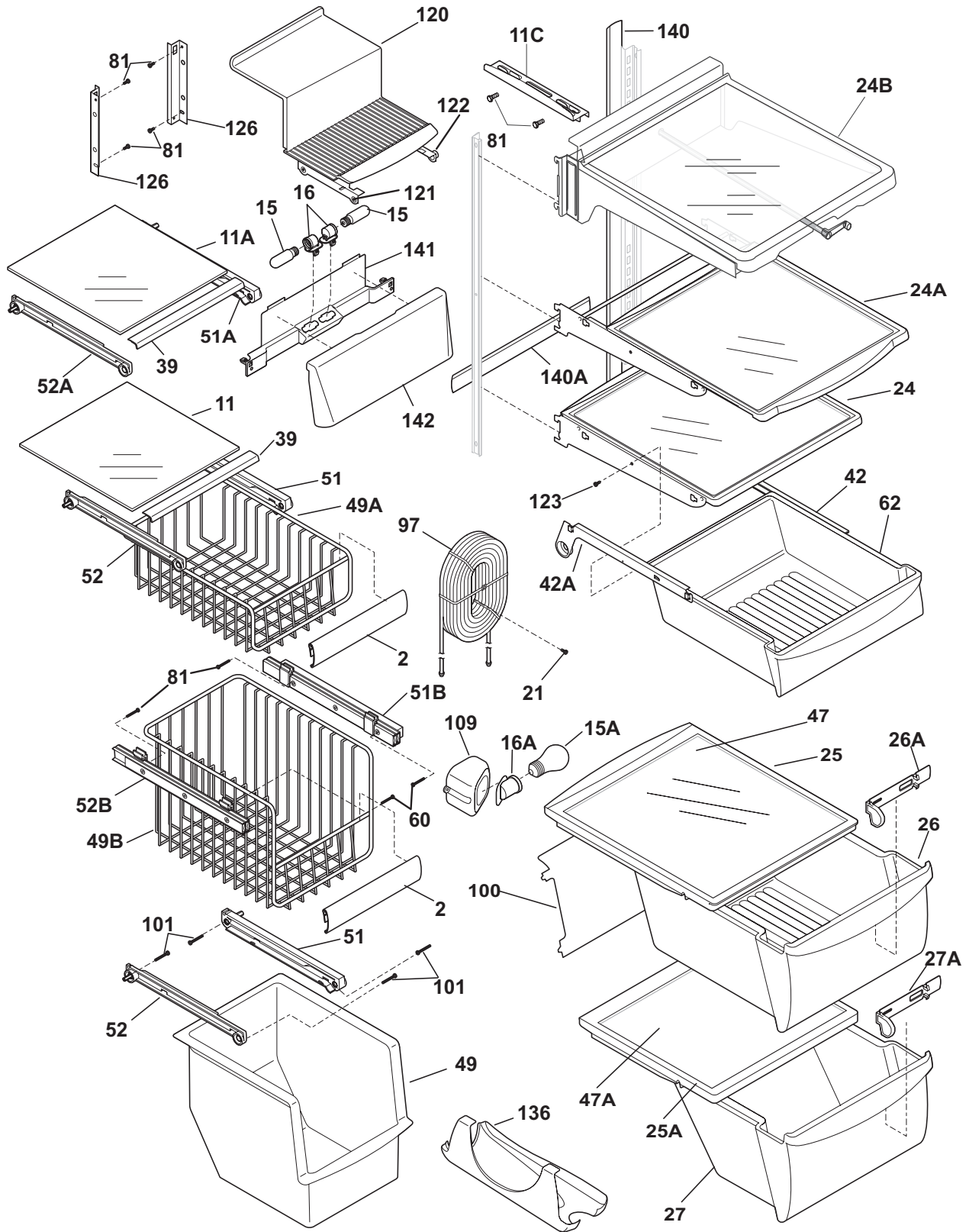


N58BAAAAB5

CABINET

POS. NO	PART NO.	DESCRIPTION
10	240435908	Cover-air duct
10A	240475911	Cover-evap coil, lower
11	5303208309	Plug-hole, factory test
14	240505801	Switch, light/lamp
14A	241547901	Switch-light/lamp, frzr door
21C	218252201	Screw, #8 truss hd, 10-32CA x 0.500
22	240457702	Plate-door closer
23	240402702	Screw-#10-32 x 1/4 flat hd
28	240335502	Bolt-roller adj, hex washer head, 1/4-20 x 4.020, (2), special
30	241603703	Bracket-lower hinge, ref
30A	241603704	Bracket-lower hinge
37	240337605	Trim-cabinet corner, silver, (2)
38	240327207	Bracket-upper hinge
40	241555103	Cover-hinge, black
41	241550801	Grommet-shelf mtg, 1.40" long
41*	241550701	Grommet-shelf mtg, .96" long
42	240578902	Screw-hinge mtg, hex head, 1/4-20 x 5/8
43	240335005	Roller Assy, adjustable, front, (2)
45	241500303	Screw, hex washer head, 8-18AB x 0.500
47	240349402	Channel-shelf mtg, side, (2)
58	241595402	Screw-#10-32 X 3/4
66	5304424968	Damper Cover Assy
66*	240518802	Pin-push, push-in, plastic
72	240324406	Grille/Kickplate, black
81	5304455650	Screw, hex washer head, 8-15A x 0.625, low profile
82	5304418225	Roller, compressor base, rear, (2)
83	5304455655	Rivet, flat head, 1/4 OD x 1-3/4, roller pin
89	241574605	Cover-access, w/label
90	218249808	Seal-coil cover
92	241710601	Screw, hex washer hd, 1/4 x 7/8, hinge mtg
100	240423701	Support, crisper cover, front, (4)
100*	240350802	Support, crisper cover, rear, (4)
*	240396801	Clamp, tube/wiring, nylon, black/natural
*	240479601	Plug, button, cab liner holes

SHELVES

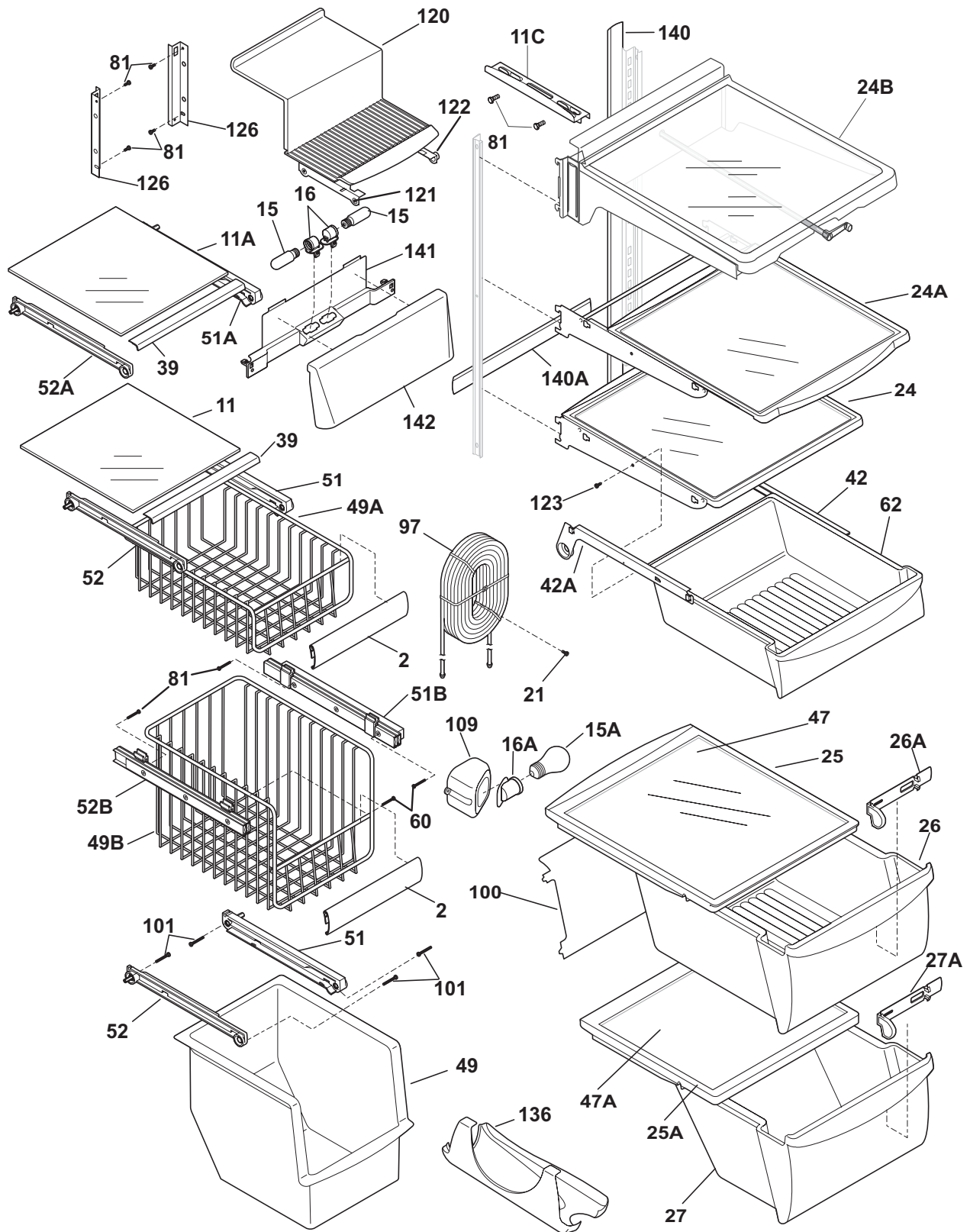


N58SLDJBE13

SHELVES

POS. NO	PART NO.	DESCRIPTION
2	241510604	Trim-basket
11	240350668	Shelf-freezer, glass, lower
11A	240350667	Shelf-freezer, glass, upper
11C	240324101	Shelf-pizza
15	241552801	Light Bulb
15A	241555401	Light Bulb
16	240590401	Socket-light
16*	241537504	Harness-wiring
16A	241513901	Socket-light
21	5304455658	Screw, hx wshr hd sems, 8-15A x 0.625, 21
24	240355203	Shelf-"Spill-Safe", fixed
24A	240350106	Shelf-"Spill-Safe", cantilever, sliding
24B	240424602	Shelf-"Spill-Safe", sliding, "Aspect", complete
25	240350702	Cover-crisper pan, upper
25*	240362101	Clip-slide, cover-crisper
25A	240350902	Cover-crisper pan, lower
26	240351022	Pan-crisper, upper
26*	240349801	Clip-slide, pan-crisper
26*	240423101	Channel-divider
26*	240423201	Retainer
26*	240423301	Divider-crisper pan
26*	241595202	Clip-slide, pan-crisper
26A	241638201	Control-humidity
26A*	241638101	Frame-humidity control
27	240351219	Pan-crisper, lower
27A	240362201	Control-humidity
39	240367602	Trim-shelf, front
42	240356501	Track, meat pan hanger, RH
42A	240349701	Hanger-meat pan, LH
42A*	240349901	Block-meat pan rail, LH
42A*	240350001	Spring-meat pan rail
47	240350602	Insert-pan cover, glass
47A	240350603	Insert-pan cover, glass
49	240564401	Basket-sliding
49A	240530502	Basket-sliding, upper, half
49B	240530504	Basket-sliding, upper, full
51	240343002	Hanger-basket, RH
51A	240395502	Hanger-basket, RH
51B	240579801	Hanger-basket, RH
52	240343102	Hanger-basket, LH
52A	240395602	Hanger-basket, LH
52B	240579802	Hanger-basket, LH
60	218362501	Screw, hex washer head, 8-18AB x 1.250, spacer, (2)
62	240342818	Pan-meat
81	5304455650	Screw, hex washer head, 8-15A x 0.625, low profile
97	240545303	Water Tank Assy, coiled tubing, front filter
100	240326302	Cover-water tank
101	218493101	Screw, hex washer head, 8-18AB x 1-3/4
109	240351301	Base-crisper light socket
120	241691901	Shelf-ice cream
121	241561001	Rail-ice cream shelf, LH

SHELVES

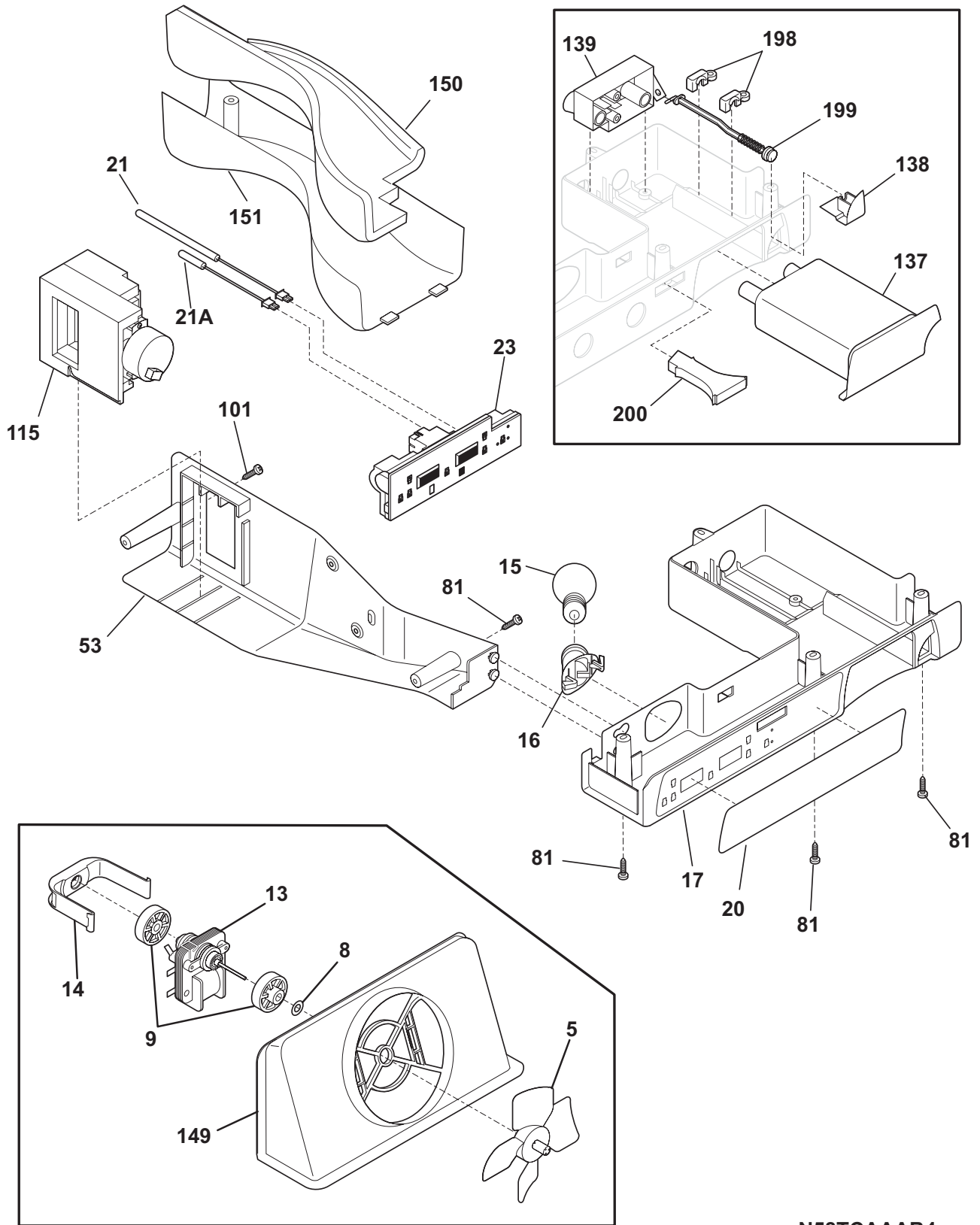


N58SLDJBE13

SHELVES

POS. NO	PART NO.	DESCRIPTION
122	241692001	Rail-ice cream shelf, LH
123	215005101	Screw, hanger/rlr mtg, 8-10 x 7/16
126	241674401	Channel, auger mtg, LH
126	241674402	Channel, auger mtg, RH
136	240424501	Dispenser-can, white
140	240430501	Channel, wtr tube cover
140A	240430503	Channel, wtr tube cover
141	240585404	Bracket-light socket
142	240582701	Shield-light, deli pan

CONTROLS

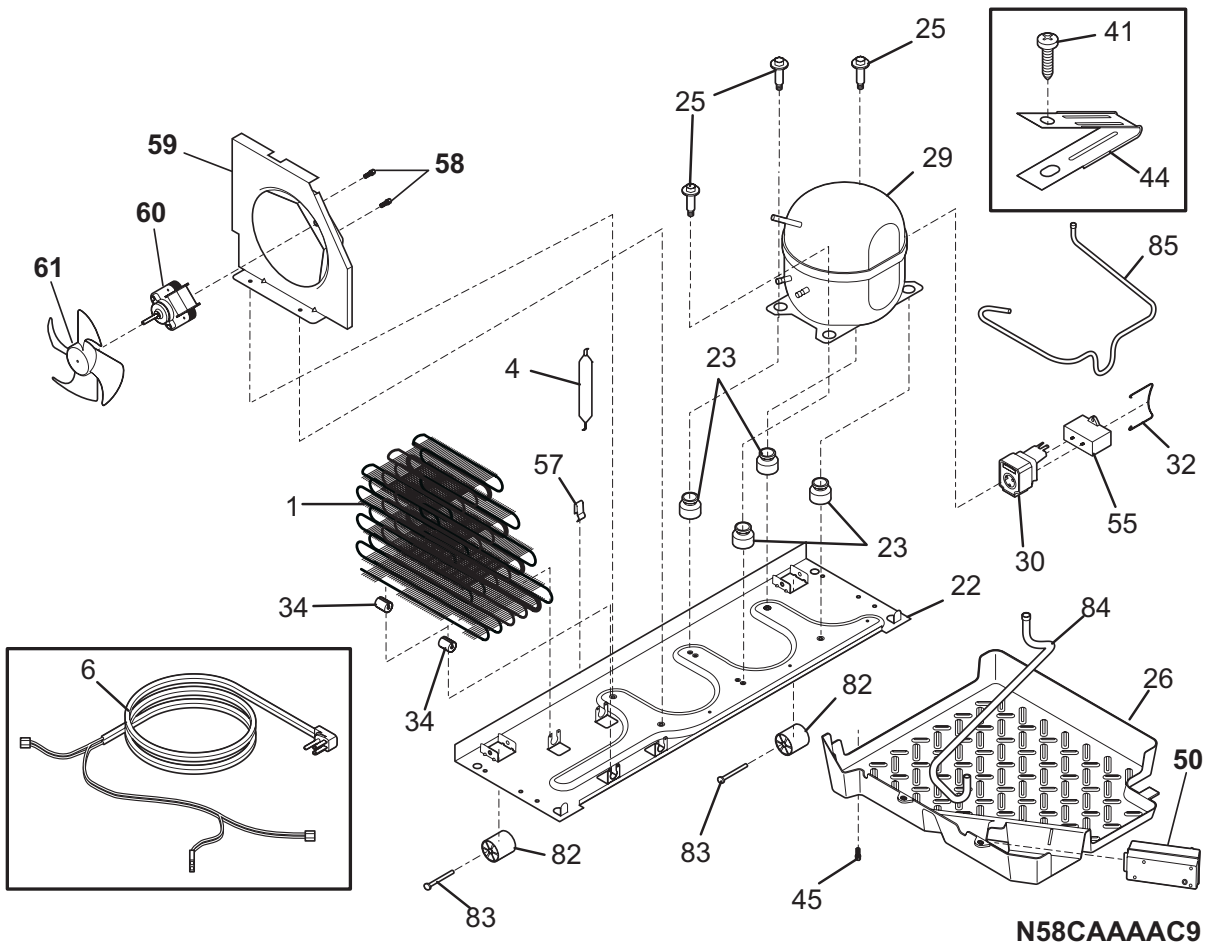
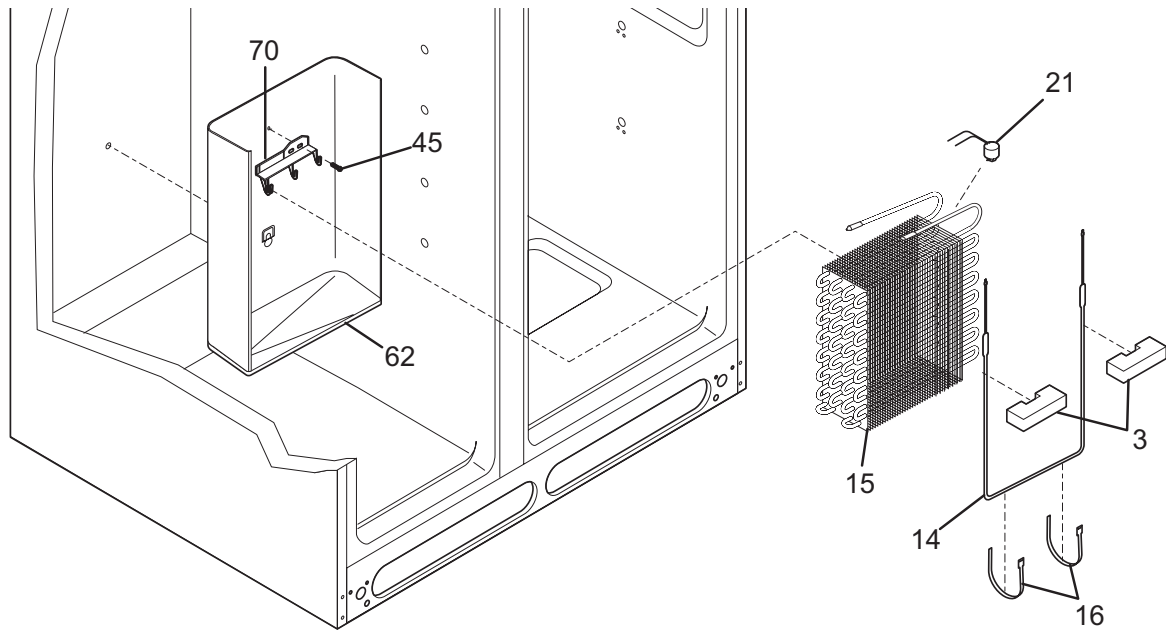


N58TCAAAB4

CONTROLS

POS. NO	PART NO.	DESCRIPTION
5 #	5308000010	Fan Blade, red, evaporator fan
8	215474201	Washer, "slinger", nylon, evap fan shaft
9	241563601	Bushing-motor mtg, (2)
13 #	240369702	Motor-evap fan
14	241517701	Clip, evap fan motor
15	241555401	Light Bulb
16 #	241513901	Socket-light
17	241608801	Box-control, front
17*#	241663601	Harness-wiring, control box
20	241603913	Label-control box
21 #	241608401	Thermistor-refr
21A#	241608501	Thermistor-frzr
23 #	5304452071	Control, board assy
23*	5303001259	Screw-timer mtg, pan hd, 6-20 x 0.438, (2)
53	241608901	Box-control
81	5304455650	Screw, hex washer head, 8-15A x 0.625, low profile
101	241637202	Screw, #8AB x 1 3/4"
115#	241600902	Damper Assy, w/seal
137	240396401	Filter, water, carbon cassette, front, with o'rings
137*	240396701	Bypass, water filter, Optional Part
138	240397301	Button-filter release
139	240396002	Base-water filter
139*	240526901	O-ring, wtr filter base
149	241563501	Shroud-fan orifice
149*	241528306	Seal, shroud
150	241505101	Insulation-water tube cover
151	241505001	Cover-water tube
198	240397401	Retainer
199	240397501	Rod
199*	240398401	Spring-filter release rod
200	240397601	Light Pipe
*	3205266	Edge Protector, wiring harness

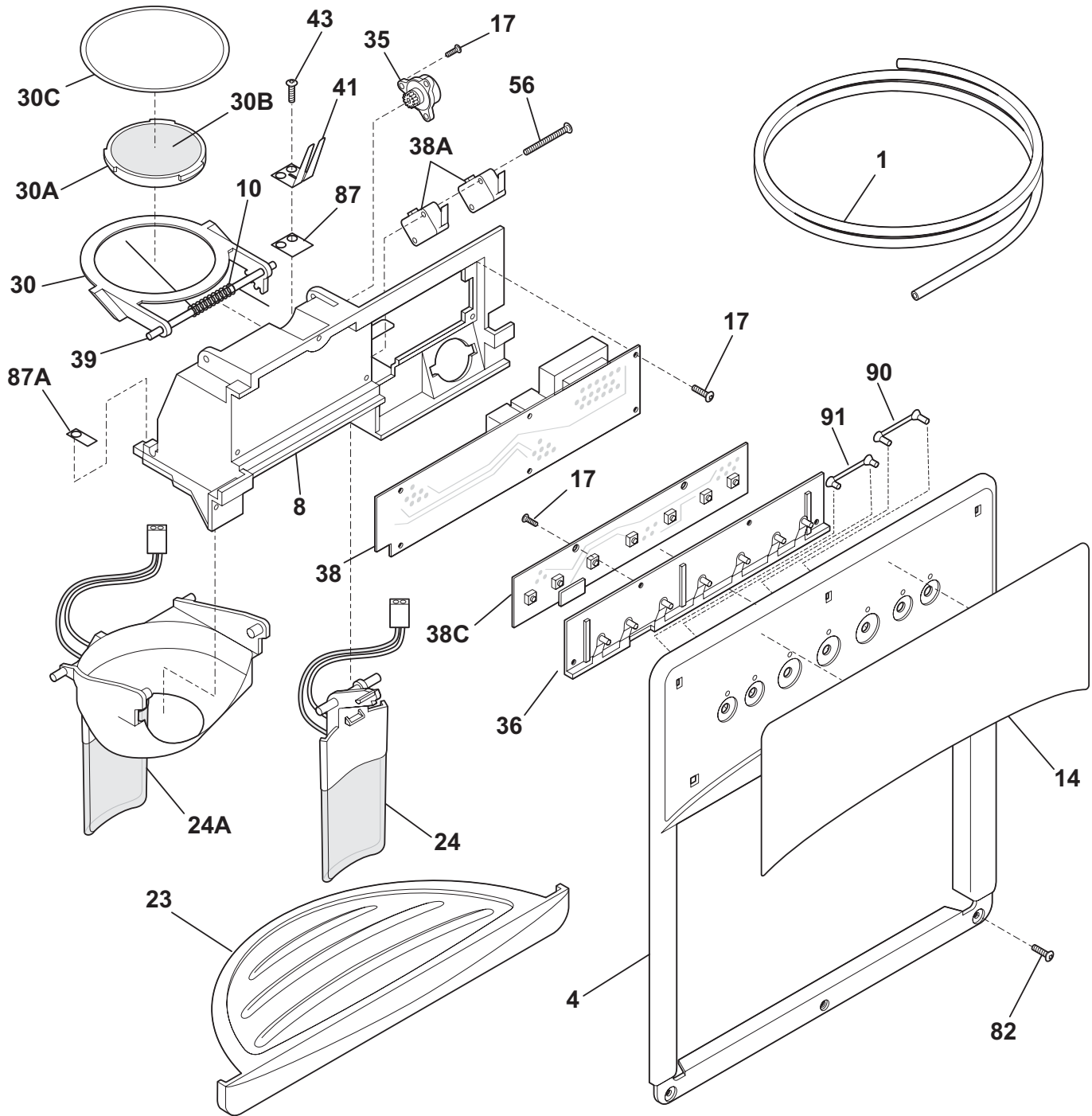
SYSTEM



SYSTEM

POS. NO	PART NO.	DESCRIPTION
1	240333603	Condenser
3	218679607	Block-evap coil, styrofoam, (2)
4 #	218944001	Drier-filter, R134a System
6 #	241641401	Harness-wiring, machine compt
6*	241651601	Harness-wiring
6*	241663601	Harness-wiring, control box
14 #	240316107	Heater-defrost
15 #	5303918284	Evaporator Kit
16	5308000110	Strap-evap/heater, aluminum, (2)
21 #	5303918214	Thermostat-defrost, kit
22	240330011	Base-compressor mtg
22*	218252201	Screw, #8 truss hd, 10-32CA x 0.500
23	241659701	Grommet, compressor
25	240491503	Screw-compressor mtg, 1/4-28 x 1.16, (4)
26	241637401	Pan-defrost
29 #	5303918329	Compressor, kit, w/electricals
30 #	241707701	Starter, PTC
32	241650901	Clamp, elec cont mtg, compressor
34	240405201	Grommet, rubber, black, cond tube/wire
41	240555002	Screw-#8-32 X 3/8
44	215174700	Clamp-service cord, strain relief, galv steel
45	5304455650	Screw, hex washer head, 8-15A x 0.625, low profile
50	241635501	Housing-control, apollo lighting
50*	241641501	Screw
55	218909913	Capacitor, run, 220 VAC, 15 microfarad
57	240542601	Clip-wiring harness
58	218897004	Screw, hex washer head, 8-32 x 0.375
59	5304430246	Bracket-cond motor assy
59*	240346701	Tape-foam seal, shroud
59*	240359403	Screw-fan shroud, (2)
60	240525402	Motor, condensor fan
61 #	240524101	Fan Blade, galv steel, condenser fan
62	240429402	Trough-drain
70	218990801	Bracket-evap/cvr mtg
82	5304418225	Roller, compressor base, rear, (2)
83	5304455655	Rivet, flat head, 1/4 OD x 1-3/4, roller pin
84	5304421068	Tube-drain, lower
85	241719501	Tube-connector, suction
* #	5303918222	Hot Tube Repair Kit, service
* #	5303918328	Heat Exchanger Kit, suction line, service

ICE & WATER DISPENSER

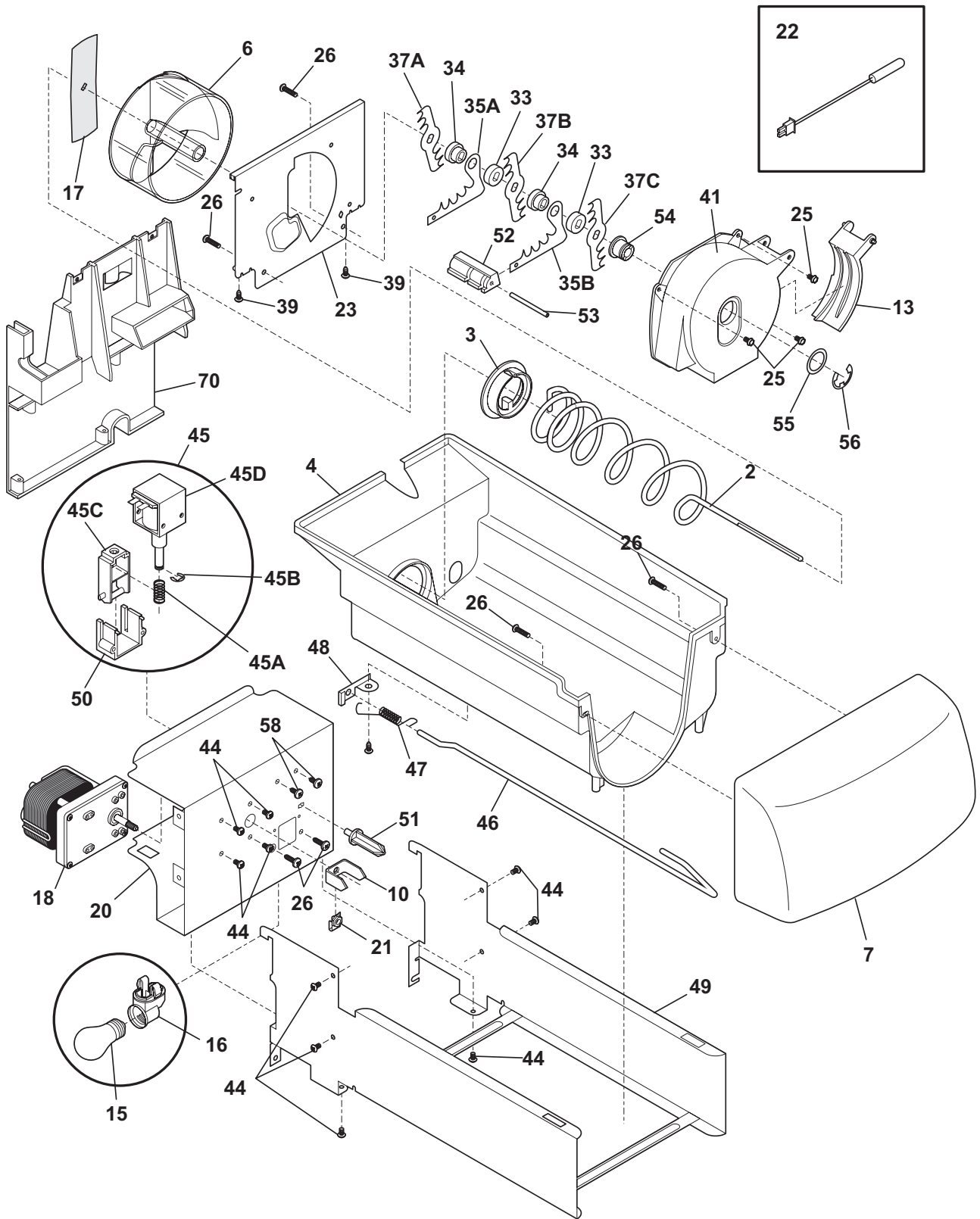


N58XEAAA1

ICE & WATER DISPENSER

POS. NO	PART NO.	DESCRIPTION
1	218976409	Tube-water-DOOR
1*	218976901	Tube-water inlet, inlet valve, to ice maker
1*	218976903	Tube-water inlet, inlet valve, to filter
1*	218976907	Tube-water inlet, valve to door
1*	240561701	Seal-water inlet, inlet valve, to ice maker
4	241678703	Cover-module, black
8	5304424549	Module-dispenser
10	5304426649	Spring-torsion
14	240323949	Label-module cover, stainless
17	5304455697	Screw
23	241649003	Drip Tray, black
24	5304433613	Actuator-water, black
24A	5304433610	Actuator-ice, black
30	5304421628	Door Assy-ice chute
30A	5304421624	Door center
30B	5304421625	Insulation-door
30C	5304421629	Door seal
35	5304421620	Damper-rotary
36	5304421824	Carrier
38	5304433619	Board-power
38A#	5304455698	Switch-micro, single pole, double throw
38C#	241708307	Board-control
38C*	5304430811	Harness-ribbon cable
39	5304421627	Pin-hinge
41	5304421829	Spring-actuator
43	5304455699	Screw, plask h/l, #6 x 3/8
56	5304455700	Screw-micro switch, pan head
82	240363402	Screw-#8-18 X 1/2, #6 hd plask
87	5304421622	Bearing Plate
87A	5304421621	Bearing Plate
90	5304421831	Light Pipe, reflector
91	5304421850	Light Pipe, reflector, short
*	5303918256	Dispenser heater kit
*	5304426535	Insulator-electrical

ICE CONTAINER

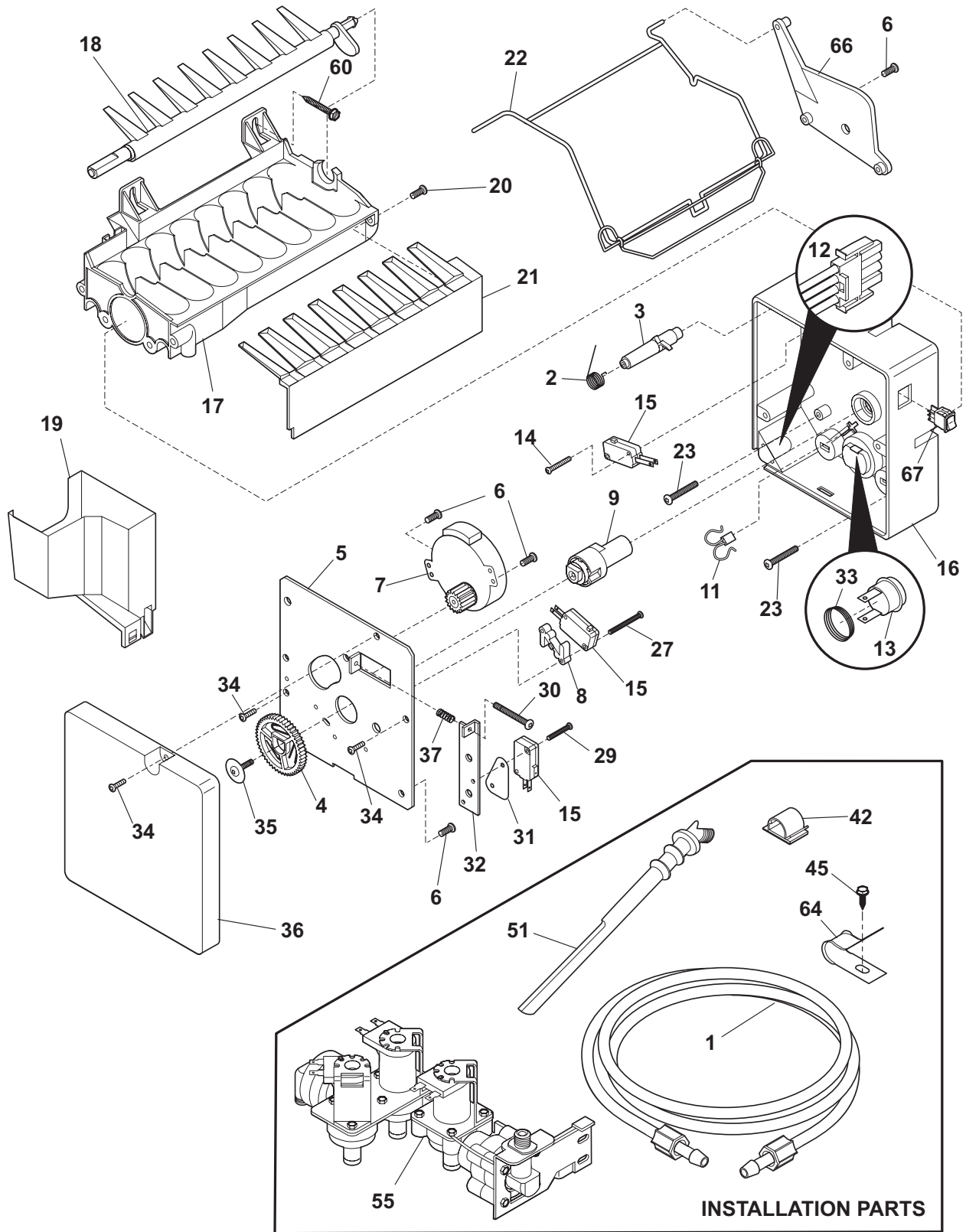


N58YDAAAC0

ICE CONTAINER

POS. NO	PART NO.	DESCRIPTION
2	5304428402	Auger-ice
3	5304404343	Cam-drive
4	241561301	Container-ice, bucket only
6	5304404346	Drum-ice disp
7	241561401	Front-ice container
10	241624801	Bar-drive
13	5304404359	Gate
15	241555401	Light Bulb
16	241559801	Socket-light
17	5304404345	Drive Blade
18 #	5304447433	Motor-auger
18*	5304455843	Harness-wiring
20	5304404332	Cover-motor
21	215285100	Nut-drive
22	240597201	Sensor
23	5304404347	Plate-front
25	5304404362	Screw, hex washer head, 8-32T x 0.375
26	5304455680	Screw, plask, 4-14 x 3/8
33	5304404351	Spacer
34	5304404349	Spacer
35A	5304404353	Fixed Blade, round
35B	5304404352	Fixed Blade, square
37A	5304404348	Blade, crusher #1
37B	5304404350	Blade, crusher #2
37C	5304404356	Blade, crusher #3
39	5304404365	Screw
41	5304404358	Housing-crusher
44	5304455847	Screw, pan head, 8-32 x 0.250
45 #	5304404333	Solenoid Assy
45A	5304406816	Spring-solenoid
45B	5304406817	E-Ring-solenoid
45C	5304406818	Actuator-solenoid
45D	5304406819	Solenoid
46	5304404341	Control Rod
47	5304404342	Spring-control rod
48	5304404340	Bracket-control rod
48*	5304404364	Screw-bracket
49	5304404329	Rail Assy
50	5304404334	Guide-solenoid
51	5304404336	Rotation Stop
52	5304404354	Spacer-fixed blades
53	5304404355	Pin-spiral, fixed blades
54	5304404357	Nut-auger
55	5304404360	Washer
56	5304404361	E-ring
58	5304404331	Screw-solenoid
70	241561502	Plate-mounting
70*	215005101	Screw, hanger/rlr mtg, 8-10 x 7/16
70*	241551601	Screw, hex head, 8-18B x 0.875
*	241561601	Ice Container Assy, w/moving parts

ICE MAKER

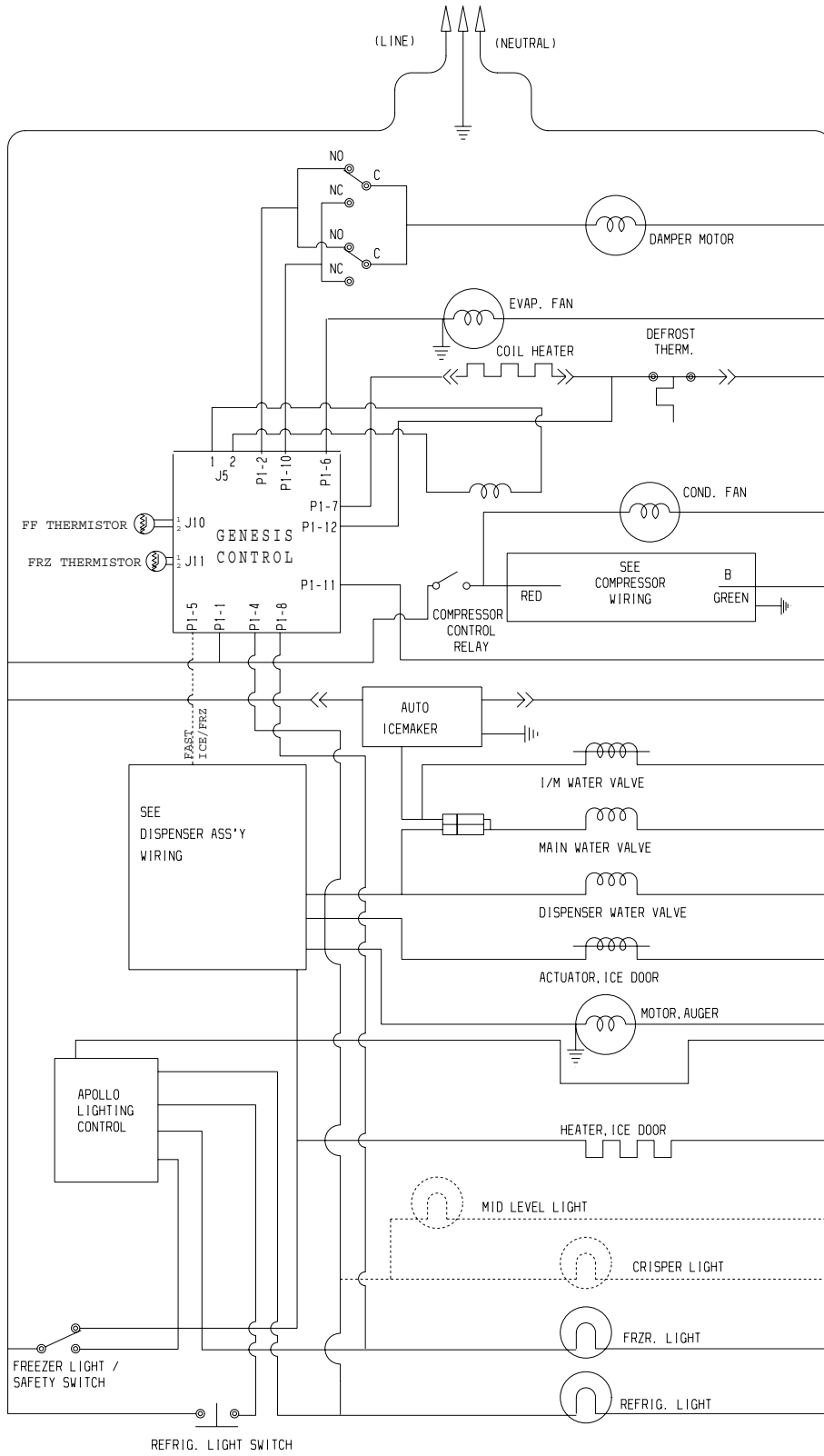


N58I115T1

ICE MAKER

POS. NO	PART NO.	DESCRIPTION
1	218976409	Tube-water-DOOR
1*	218976901	Tube-water inlet, inlet valve, to ice maker
1*	218976903	Tube-water inlet, inlet valve, to filter
1*	218976907	Tube-water inlet, valve to door
1*	240561701	Seal-water inlet, inlet valve, to ice maker
2	5304436616	Spring, torsion
3	5304436610	Detent
4	3206301	Gear
5	5304436604	Plate-mounting
6	5304455670	Screw, taptite, 8-32 x 1/4
7 #	5304436619	Motor-ice maker
8	3206312	Spacer-hold switch
9	3206313	Cam
11 #	5304436618	Thermal Cutoff, ICE MAKER, complete assy
12	5304436614	Harness-wiring
13	5304436613	Thermostat, ICE MAKER
14	5304455676	Screw, plask, 4-14 x 3/4
15 #	3206324	Switch, (3)
16	5304436609	Housing, control
17 #	5304436617	Mold-ice maker, with heater
18	5304436607	Ejector-ice
18*	5304455843	Harness-wiring
19	5304436606	Cup-water inlet
20	5304455677	Screw, 8-32 x 3/8
21	5304436608	Ice Stripper
22	5304436602	Shut-off Arm
23	5304455678	Screw, 8-32 x 7/8, mold-to-support
27	5304455681	Screw, taptite, 4-40 x 1.000, hold switch mtg, (2)
29	5304455845	Screw, 4-24 x 0.750, (6)
30	5304455682	Screw, type 23, 8-32 x 1.00
31	3206342	Insulator
32	5304455683	Plate-valve switch
33	5304436615	Spring-thermostat
34	5304455684	Screw, plazscrew, 8-10 x 1/2, (3)
35	5304455685	Screw
36	5304436605	Cover-ice maker
37	5304408583	Spring-timing adj
42	218515403	Clip-grille
45	5304455650	Screw, hex washer head, 8-15A x 0.625, low profile
51	241523503	Tube-water fill, extension
55 #	240531101	Valve-water, triple solenoid
55*	218709101	Screw, hex head, 10-32 x 0.500
55*	240363602	Screw-shoulder
55*	240542901	Cap-water valve
60	218362501	Screw, hex washer head, 8-18AB x 1.250, spacer, (2)
64	5303001549	Clamp, 0.31 ID, steel, copper wtr line
66	5304436611	Bracket-ice maker
67	5304436612	Switch, on/off
*	218888001	Adapter-water supply, nut & sleeve, compression ftg
*	241583301	Deflector-air, ICE MAKER
*	241587402	Deflector-ice
* #	241696501	Ice Maker, radius cube, 115 V, no instl parts

WIRING SCHEMATIC



WIRING DIAGRAM

