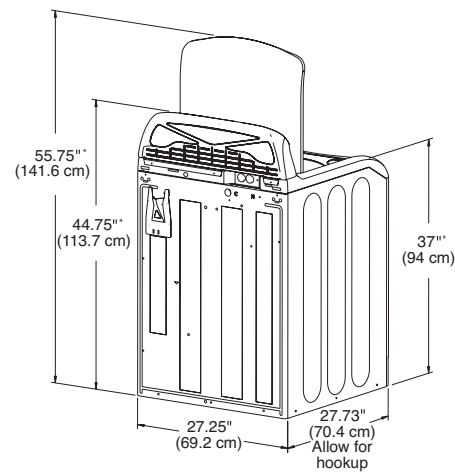


Models	Maytag® Neptune® Top-Load Washers		Maytag® Neptune® Front-Load Washers					Maytag® Neptune® Super Stack™ Washer
	FAV9800	FAV6800	MAH9700	MAH8700	MAH7500	MAH6500	MAH5500	MLE/G2000
<b>FEATURES</b>								
<b>ENERGY STAR®-Qualified</b>	★	★	★	★	★	★	★	★
Capacity — cu. ft.	3.5	3.5	3.81	3.81	3.34	3.34	3.34	3.34
Controls	LCD	LED	LED	LED	LCD	LED	LED	Push-Button
Control Location	Rear-Panel	Rear-Panel	Front-Panel	Front-Panel	Rear-Panel	Rear-Panel	Rear-Panel	Front-Panel
Stainless Steel Washtub	■	■	■	■	■	■	■	■
Motor Speed	Infinite	Infinite	Infinite	Infinite	Infinite	Infinite	Infinite	Infinite
Speed Combinations	Infinite	Infinite	Infinite	Infinite	Infinite	Infinite	Infinite	Infinite
TumbleClean™ Wash System	■	■	■	■	■	■	■	■
TurboClean Wash System	■	■	■	■	■	■	■	■
MaxExtract™ Spin Option — RPM	1,000	850	1,200	1,100	1,000	1,000	800	■
IntelliFill™ Water Level Sensor	■	■	■	■	■	■	■	■
Water Temp. Combinations	8	5	6	5	8	8	4	4
AutoTemp™ Internal Water Heater	■	■	■	■	■	■	■	■
Automatic Temp. Control/CorrecTemp™ Control	■	■	■	■	■	■	■	■
Warm Rinse Option	■	■	■	■	■	■	■	■
Extra Rinse Option	■	■	■	■	■	■	■	■
Delay Wash Option	12-Hour	9-Hour	19-Hour	12-Hour	12-Hour	9-Hour	9-Hour	■
Favorite Cycles	■	■	■	■	■	■	■	■
Cycle Library™	■	■	■	■	■	■	■	■
StainBrain™ Guide	■	■	■	■	■	■	■	■
Delicates Cycle	■	■	■	■	■	■	■	■
Hand Washables Cycle	■	■	■	■	■	■	■	■
Presoak/Pretreat Cycle	■	■	Pre-wash	Pre-wash	■	■	■	■
Wrinkle Control/Wrinkle-Free Cycle	■	■	■	■	■	■	■	■
Colors Cycle	■	■	■	■	■	■	■	■
Enviro Plus Cycle	■	■	■	■	■	■	■	■
Stain Treat Option	■	■	■	■	■	■	■	■
Sanitary Cycle	■	■	■	■	■	■	■	■
Bleach Dispenser	■	■	■	■	■	■	■	■
Fabric Softener Dispenser	■	■	■	■	■	■	■	■
Auto Detergent Dispenser	■	■	■	■	■	■	■	■
End-Of-Cycle Signal	Adjustable	Adjustable	Adjustable	Adjustable	Adjustable	Adjustable	Adjustable	■
Trilingual Touchscreen	■	■	■	■	■	■	■	■
Quick Setting/Quick Wash	■	■	■	■	■	■	■	■
Time Remaining Indicator	■	■	■	■	■	■	■	■
Easy Access	■	■	■	■	■	■	■	■
QuietSeries™ Sound Package	400	300	400	300	300	300	300	300
Self-Cleaning Lint Removal	System	System	System	System	System	System	System	System
Color Availability:								
White	■	■	■	■	■	■	■	■
Bisque	■	■	■	■	■	■	■	■

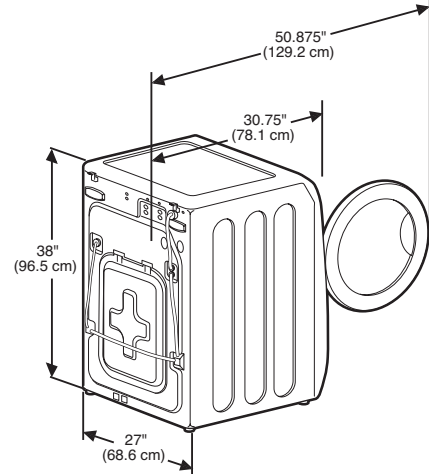
**MAYTAG® NEPTUNE® TOP-LOAD WASHERS (FAV9800, FAV6800)**



**MAYTAG® NEPTUNE® TOP-LOAD WASHERS**

**MOTOR:** 1/2 HP, 120-volt, 60 Hz, variable-speed, controlled-induction motor.  
**HOSE LENGTH:** Inlet: 4 feet (1.22 m); drain: 4 feet (1.22 m).  
**INSTALLATION REQUIREMENTS:** Hot and cold water connections with water pressure within 30 – 120 p.s.i. (207 – 827 KPa) range; 120°F to 140°F hot water; a drain; a 120-volt, 60 Hz electrical outlet properly grounded and protected by a 15-amp fuse. Individual branch circuit serving only the washer is recommended.  
**WEIGHTS (Crated/Uncrated):** 182 lbs. (82.6 kg)/168 lbs. (76.2 kg).  
 \*Dimensions include fully extended legs. Legs can be lowered 0.82" (2.1 cm).

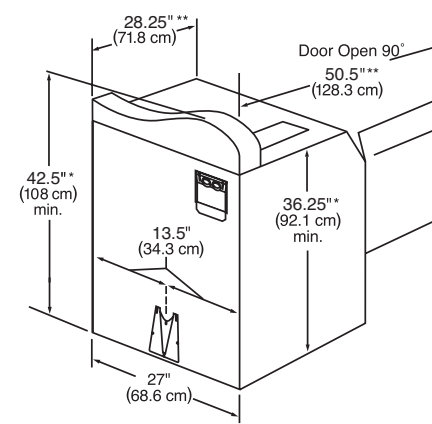
**MAYTAG® NEPTUNE® FRONT-LOAD WASHERS (MAH9700, MAH8700)**



**MAYTAG® NEPTUNE® FRONT-LOAD WASHERS**

**MOTOR:** MAH9700 – .92HP, 120-volt, 60 Hz, variable-speed, direct drive motor. MAH8700 – 1/2 HP, 120-volt, 60 Hz, variable-speed, controlled induction motor.  
**HOSE LENGTH:** Inlet: 4 feet (1.22 m); drain: 4 feet (1.22 m).  
**INSTALLATION REQUIREMENTS:** Hot and cold water connections with water pressure within 30 – 120 p.s.i. (207 – 827 KPa) range; 120°F to 140°F hot water; a drain; a 120-volt, 60 Hz electrical outlet properly grounded and protected by a 15-amp fuse. Individual branch circuit serving only the washer is recommended.  
**WEIGHTS (Crated/Uncrated):** MAH9700 – 207 lbs. (93.9 kg)/197 lbs. (89.4 kg). MAH8700 – 192 lbs. (87.1 kg)/182 lbs. (82.6 kg).  
 \*Dimensions include fully extended legs. Legs can be lowered 0.82" (2.1 cm).

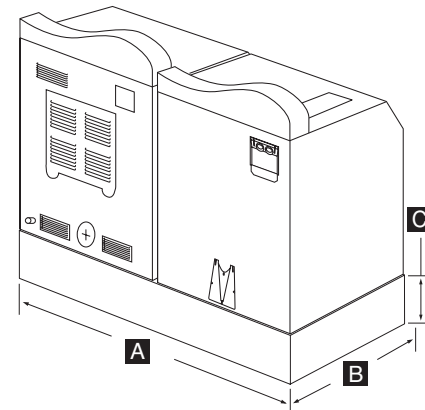
**MAYTAG® NEPTUNE® FRONT-LOAD WASHERS (MAH7500, MAH6500, MAH5500)**



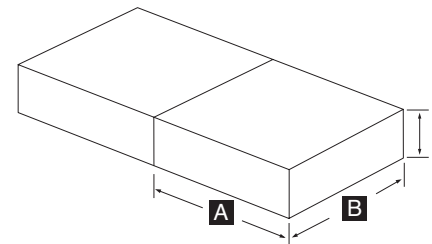
**MAYTAG® NEPTUNE® FRONT-LOAD WASHERS**

**MOTOR:** 170-volt, DC, 60 Hz, 3-phase, reversible.  
**HOSE LENGTH:** Inlet: 4 feet (1.22 m); drain: 4 feet (1.22 m).  
**INSTALLATION REQUIREMENTS:** Hot and cold water connections with water pressure within 30 – 120 p.s.i. (207 – 827 KPa) range; 120°F to 140°F hot water; a drain; a 120-volt, 60 Hz electrical outlet properly grounded and protected by a 15-amp fuse.  
**WEIGHTS (Crated/Uncrated):** 200 lbs. (91 kg)/180 lbs. (82 kg).  
 \* Dimensions will vary according to adjustment of leveling legs.  
 \*\* Includes 3/4" (1.9 cm) for hinge on back of washer.

**MAYTAG® NEPTUNE® PEDESTAL MAL2000AXW/MAL2000AXQ**



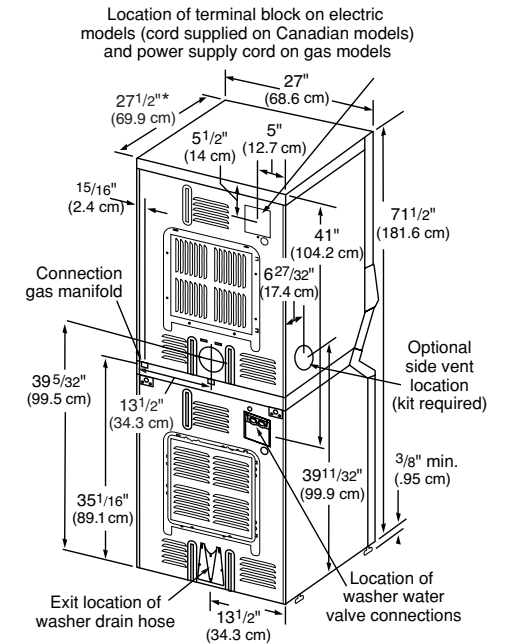
**MAYTAG® NEPTUNE® PEDESTAL MAL1800AXW**



	MAL1800AXW	MAL2000AXW/MAL2000AXQ
For Models	MAH9700, MAH8700 MDE/G9700	MAH7500, MAH6500 MAH5500
A – in. (cm.)	27 (68.6)	55 (139.7)
B – in. (cm.)	28.5 (72.4)	28 (71.1)
C – in. (cm.)	14.5 – 15.5 (36.8 – 39.4)	8.5 – 9.5 (21.6 – 24.1)
Weight (Uncrated)	46.5 lbs. (21.1 Kg.)	62 lbs. (28 Kg.)

**MATERIALS:** 12-gauge steel; epoxy powder-coated finish.

**MAYTAG® NEPTUNE® SUPER STACK™ WASHER AND DRYER**



\*Depth including timer knobs is 29" (73.7 cm).

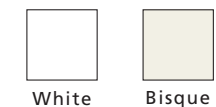
**NEPTUNE® SUPER STACK™ WASHER**

**MOTOR:** 3-phase, reversible, high-efficiency, switched-reluctance motor.  
**ELECTRICAL REQUIREMENT:** 120-volt, 60 Hz (supplied through dryer cord).  
**WATER PRESSURE:** 20 – 120 p.s.i. (138 – 827 KPa).  
**REQUIRED HOT WATER TEMPS:** 120°F – 140°F.  
**HOSE LENGTHS:** Inlet: 4 feet (1.22 m). Drain: 4 feet (1.22 m).  
**LEVELING LEGS:** Adjustable, to level unit for proper installation.

**NEPTUNE® SUPER STACK™ DRYER**

**MOTOR:** 1/2 HP, 120-volt, 60 Hz, single-phase, thermoprotected against overload, auto-reset.  
**AIRFLOW:** 220 cubic feet (6.2 cu. m) per minute.  
**EXHAUST:** Use a minimum of 4" (10.2 cm) diameter rigid aluminum or galvanized-steel duct. Never use plastic, nonmetal or combustible duct.  
**HEATING ELEMENT (MLE Model):** Nichrome helix coil.  
**ELECTRICAL RATING (MLE Model):** 240-volt, AC, 60 Hz, draws approximately 5,900 watts overall.  
**FUSE REQUIREMENTS:** MLE Model: 30-amp. MLG Model: 15-amp.  
**SINGLE-PORT BURNER (MLG Model):** Automatic electric burner with automatic ignition.  
**GAS RATING (MLG Model):** 22,000 BTU/hr. for the drying chamber.  
**AUTOMATIC PRESSURE REGULATOR (MLG Model):** Self-adjusting valve automatically compensates for variations in gas pressure.  
**LEVELING LEGS:** Adjustable, to level unit for proper installation.  
**WEIGHTS (Entire Unit Crated/Uncrated):** 356 lbs. (161.5 kg)/326 lbs. (147.9 kg).

**Exterior Color Options**



Models FAV9800, FAV6800, MAH9700, MAH8700, MAH7500, MAH6500, MAH5500 and MLE/G2000

Maytag® Neptune® Dryers

Models	Maytag® Neptune® Top-Load Matching Dryers		Maytag® Neptune® Front-Load Matching Dryers			Maytag® Neptune® Super Stack™ Dryer
	MDE/G9800	MDE/G6800	MDE/G9700	MDE/G7500	MDE/G5500	MLE/G2000
<b>FEATURES</b>						
Capacity — cu. ft.	6.0	6.0	7.3	6.0	6.0	6.0
Controls	LCD	LED	LED	LCD	LED	Push-Button
Control Location	Rear-Panel	Rear-Panel	Front-Panel	Rear-Panel	Rear-Panel	Front-Panel
GentleBreeze™ Drying System	■	■	■	■	■	■
IntelliDry® Sensor	■	■	■	■	■	■
Adjustable Degree Of Dryness	■	■	■	■	■	■
Temperature Settings	5	5	5	5	5	4
Time Dry Cycle	■	■	■	■	■	■
Air Fluff Cycle	■	■	■	■	■	■
Damp Dry Cycle	■	■	■	■	■	■
Wrinkle Prevent	On/Off	On/Off	On/Off	On/Off	On/Off	■
Wrinkle Release	■	■	■	■	■	■
Permanent Press/Wrinkle-Free	■	■	■	■	■	■
Delicate Temperature	■	■	■	■	■	■
Ultra Care/Extra-Low Temperature	■	■	■	■	■	■
End-Of-Cycle Signal	Adjustable	Adjustable	Adjustable	Adjustable	Adjustable	■
Time Remaining Indicator	■	■	■	■	■	■
Drum Light	■	■	■	■	■	■
Favorite Cycles	■	■	■	■	■	■
Dryel® Cycle	■	■	■	■	■	■
Quick Dry Cycle	■	■	■	■	■	■
Remind Chime	■	■	■	■	■	■
Damp Dry Chime	■	■	■	■	■	■
Freshen-Up Cycle	■	■	■	■	■	■
Smart Cool-Down	■	■	■	■	■	■
Trilingual Touchscreen	■	■	■	■	■	■
Control Panel Lockout	■	■	■	■	■	■
Reversible Door	■	■	■	■	■	■
Extra-Large Door Opening	■	■	■	■	■	■
DuraCushion™ Dryer Drum	■	■	■	■	■	■
Stainless Steel Dryer Drum	■	■	■	■	■	■
High-Capacity Blower	■	■	■	■	■	■
Four-Point Suspension System	■	■	■	■	■	■
Electronic Ignition W/Safety Shut-Off Valve (Gas Only)	■	■	■	■	■	■
LP Kit	MAL9000AXX	MAL9000AXX	MAL9000AXX	MAL9000AXX	MAL9000AXX	
Drying Rack	MAL1100AXX†	MAL1100AXX	MAL1300AXX	MAL1100AXX†	MAL1100AXX	
QuietSeries™ Sound Package	400	300	400	300	300	300
Color Availability:						
White	■	■	■	■	■	■
Bisque	■	■	■	■	■	■

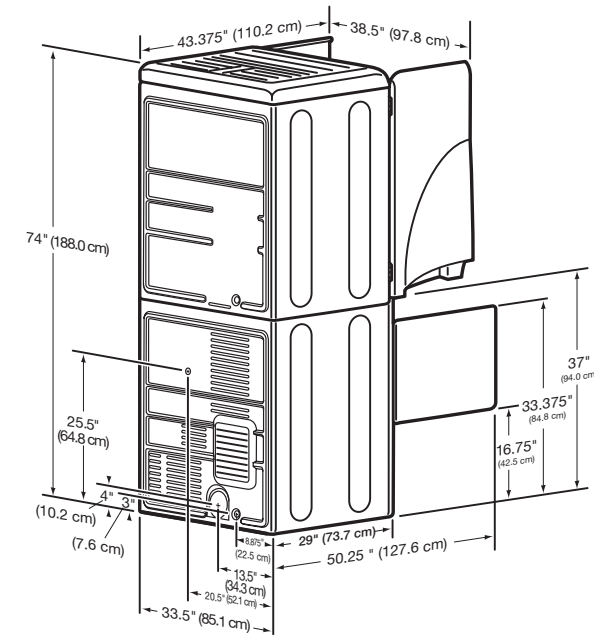
†Drying rack included.  
Dryel® is a registered trademark of Procter & Gamble.

Maytag® Neptune® Drying Center

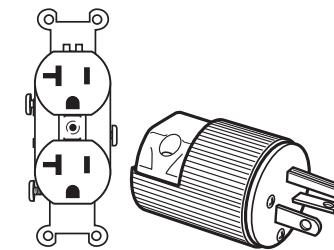
Model	MCE/G8000
<b>UPPER DRYING CABINET FEATURES</b>	
Capacity — cu. ft.	17.3
Controls	LED
BreezeCare™ Drying System	■
Dry Clothes Cycle	■
Refresh Cycle	■
Low Temperature	■
Extra-Low Temperature	■
Wrinkle Release Option	■
Remove Odor Option	■
Add Fragrance Option	■
Time Remaining Indicator	■
Cycle Status Indicator	■
Adjustable Time	■
WrinkleRelease™ Rod	■
Removable Mesh Shelves	5
ShapeSaver™ Hangers	3†
Accessory Door Hooks	4
Dryer Sheet Caddy	■
Water Bottle	■
Interior Cabinet Light	■
Shelf Storage Hanger	■
End-Of-Cycle Signal	Adjustable
<b>TUMBLE DRYER FEATURES</b>	
Capacity — cu. ft.	7.0
Controls	LED
GentleBreeze™ Drying System	■
IntelliDry® Sensor	■
Temperature Settings	4
Sensor Dry Cycle	■
Time Dry Cycle	■
Air Fluff Cycle	■
Wrinkle Release Cycle	■
Wrinkle Prevent Option	■
Damp Dry Signal	■
Time Remaining Indicator	■
Cycle Status Indicator	■
End-Of-Cycle Signal	Adjustable
Reversible Door	■
High-Capacity Blower	■
Drum Light	■
DuraCushion™ Dryer Drum	■
Electric Dryer Venting Directions	2
Gas Dryer Venting Directions	2
QuietSeries™ Sound Package	400

Available in White or Bisque.  
†Accessory kit model MAL3000AXX also available.

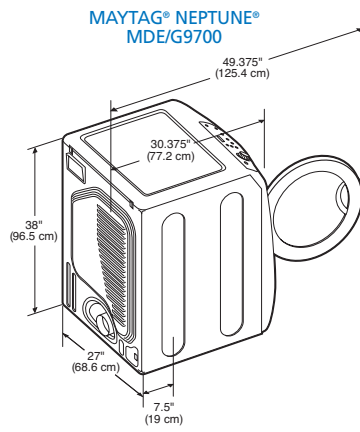
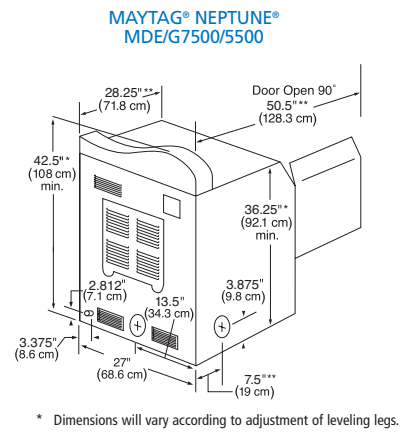
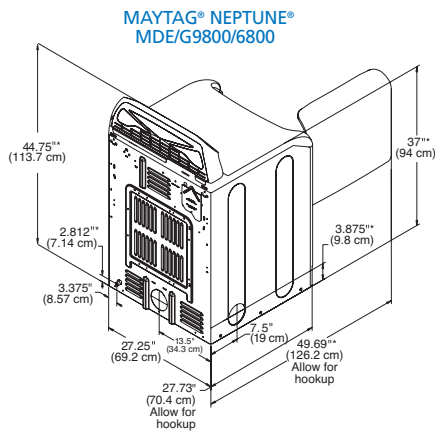
MAYTAG® NEPTUNE® DRYING CENTER



- MAYTAG® NEPTUNE® DRYING CENTER**
- UPPER MOTOR:** 65W, 120-volt, 60 Hz, single-phase, thermoprotected against overload, automatic reset.
  - LOWER MOTOR:** 245W, 120-volt, 60 Hz, single-phase, thermoprotected against overload, automatic reset.
  - UPPER CABINET AIRFLOW:** 80 cubic feet (2.3 cu. m) per minute.
  - TUMBLE DRYER AIRFLOW:** 175 cubic feet (5.0 cu. m) per minute.
  - EXHAUST:** Use a minimum of 4" (10.2 cm) diameter rigid aluminum or galvanized-steel duct. Never use plastic, nonmetal or combustible duct.
  - UPPER HEATING ELEMENT (Both Models):** Tubular heater, 1,200W, 10A.
  - TUMBLE DRYER HEATING ELEMENT (MCE Model):** Open coil; 4,800W, 21A when using tumbler only; 3,300W, 14A when using tumbler and upper cabinet.
  - SINGLE-PORT BURNER (MCG Model):** Automatic electric burner with automatic ignition.
  - AUTOMATIC PRESSURE REGULATOR (MCG Model):** Self-adjusting valve automatically compensates for variations in gas pressure.
  - ELECTRICAL RATING (MCE Model):** 240-volt, AC, 60 Hz, draws approximately 5,100W overall.
  - ELECTRICAL RATING (MCG Model):** 120-volt, AC, 60 Hz, draws approximately 1,700W overall.
  - GAS RATING (MCG Model):** 18,000 BTU/hr. for tumble dryer.
  - FUSE REQUIREMENTS:** MCE model: 30A. MCG model: 20A.
  - LEVELING LEGS:** Adjustable to level unit for proper installation.
  - WEIGHTS (Crated/Uncrated):** 273 lbs. (124 kg)/241 lbs. (109 kg).



The Drying Center gas model is designed to operate on a 120-volt/20-amp circuit, using an electrical plug and outlet similar to those shown. If your laundry room doesn't have this type of outlet, contact an electrician who can install a proper outlet designed to carry the necessary amperage. The laundry outlet must be less than 6 feet from the washer/gas dryer.

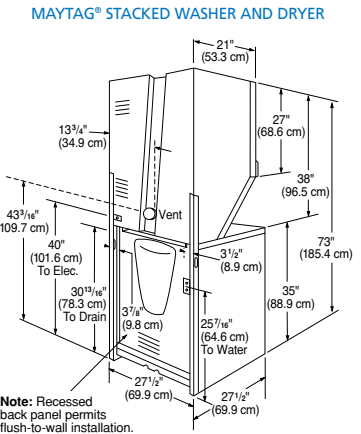


\*Dimensions include fully-extended legs. Legs can be lowered 0.82" (2.1 cm).  
\*\* Includes 3/4" (1.9 cm) for hinge on back of dryer.

MAYTAG® NEPTUNE® DRYERS

- MOTOR:** MDE/G9700 — 1/2 HP, 120-volt, 60 Hz, single-phase, thermally protected against overload, auto-reset. All other models are 1/4 HP.
- EXHAUST:** Use a minimum of 4" (10.2 cm) diameter rigid aluminum or galvanized-steel duct. Never use plastic, nonmetal or combustible duct.
- HEAT SOURCE/ELECTRICAL REQUIREMENTS:** Electric model — 5,300-watt nichrome helix coil; 240-volt, AC, 60 Hz; 30-amp fuse. Gas model — Single-port burner with automatic electric ignition; 22,000 BTU/hr., 15-amp fuse. Self-adjusting valve automatically compensates for variations in gas pressure.
- WEIGHTS (Crated / Uncrated):** MDE/G9700 — 138 lbs. (62.6 kg)/128 lbs. (58.1 kg). All other models — 145 lbs. (66 kg)/130 lbs. (59 kg).

Models	Maytag® Compact Front-Load Washer							Maytag® Washers					Maytag® Stacked Washer	
	MAH2400	MAV9750	MAV9504E	MAV8551	MAV7551	MAV7504E	MAV6451	SAV5910E	SAV5710	SAV4655E	SAV3655	SAV2655	SAV2555	LSE/G7806
<b>FEATURES</b>														
ENERGY STAR®-Qualified	★		★			★		★		★				
Capacity — cu. ft.	2.4	3.2	3.2	3.2	3.2	3.2	3.2	3.2	3.2	3.3	3.3	3.3	3.3	2.5
Controls	LED	Rotary	Rotary	Rotary	Rotary	Rotary	Rotary	Rotary	Rotary	Rotary	Rotary	Rotary	Rotary	Rotary
Wash tub	Stainless Steel	Stainless Steel	Stainless Steel	Stainless Steel	Polymer	Polymer	Polymer	Stainless Steel	Stainless Steel	Polymer	Polymer	Polymer	Polymer	Porcelain
HydroFlex™ Agitator		Plus	Plus	Plus	Plus	Plus								
FlexCare™ Agitator														
Motor Speed	Universal	Two-Speed	Two-Speed	Two-Speed	Two-Speed	Two-Speed	Two-Speed	Two-Speed	Two-Speed	Two-Speed	Two-Speed	Two-Speed	Two-Speed	One-Speed
Speed Combinations	4	6	6	5	5	5	4	4	4	4	3	3	3	
TurboClean Wash System														
HydroClean™ Wash System														
DependableClean™ Wash System														
TurboRinse™ System														
PureClean™ Rinse System														
Extended Spin														
Water Level Control	IntelliFill™	Infinite	Infinite	Infinite	5	5	4	Infinite	Infinite	Infinite	4	4	4	3
Water Temp. Combinations	5	7	4	7	5	4	4	6	4	4	4	4	4	3
Automatic Temp. Control/CorrecTemp™ Control														
Warm Rinse Option														
Extra Rinse Option														
Delay Wash Option	19-Hour													
Delicates Cycle														
Handwash Cycle														
Presoak/Pretreat Cycle														
Prewash Cycle														
Soak Only Cycle														
Permanent Press/Wrinkle-Free Cycle														
Colors Cycle														
Cottons/Colors Cycle														
Sweaters Cycle														
Quiet Cycle Select														
Spot-Treat With Finger Faucet														
Bleach Dispenser														
Fabric Softener Dispenser														
Detergent Dispenser														
End-Of-Cycle Signal	Chime	Remind						On/Off	On/Off	On/Off	On/Off			
Quick Setting/Quick Wash														
Easy Access														
Self-Cleaning Lint Removal System														
Six-Point Suspension System														
SturdySpin™ Suspension System														
Rear Self-Levelers														
Sound Package	QuietSeries™ 300	Quiet Plus II	Quiet Plus III	Quiet Plus II	Quiet Plus	Quiet Plus II	Quiet Pack	Quiet Plus	Quiet Plus	Quiet Plus	Quiet Pack	Quiet Pack	Quiet Pack	Quiet Pack
Color Availability:														
White														
Bisque														

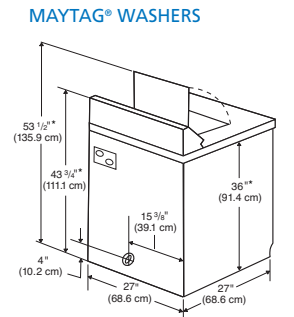
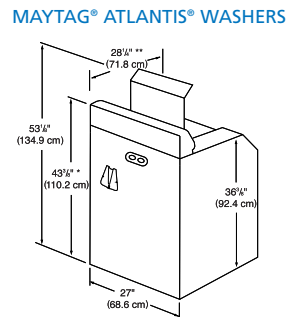
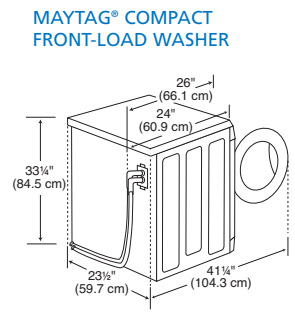


**MAYTAG® SUPER STACK™ WASHER**  
**MOTOR:** 1/2 HP rated, reversible, thermoprotected against overload, automatic reset.  
**ELECTRICAL REQUIREMENT:** 120-volt, 60 Hz (supplied through dryer cord).  
**FUSE REQUIREMENTS:** 15-amp.  
**WATER PRESSURE:** 20 – 120 p.s.i. (138 – 827 KPa).  
**REQUIRED HOT WATER TEMPS:** 120°F to 140°F.  
**HOSE LENGTHS:**  
 Inlet Hose: 5 feet (1.5 m).  
 Drain Hose: 4 feet (1.2 m).

**MAYTAG® SUPER STACK™ DRYER**  
**MOTOR:** 1/2 HP rated, 120-volt, 60 Hz, thermoprotected against overload, automatic reset.  
**AIRFLOW:** 180 cubic feet (5.1 cu. m) per minute.  
**EXHAUST:** 4 in. (10.2 cm) duct permits a max. of 54 ft. (16.5 m) rigid aluminum ductwork. Never use plastic, nonmetal or combustible duct.  
**HEATING ELEMENT (LSE Model):** Nichrome helix coil.  
**ELECTRICAL RATING (LSE Model):** 240-volt, AC, 60 Hz, draws approximately 4,600 watts overall.  
**FUSE REQUIREMENTS:**  
 LSE Model: 30-amp.  
 LSG Model: 15-amp.  
**SINGLE-PORT BURNER (LSG Model):** Electric ignition, automatic shut-off.  
**GAS RATING (LSG Model):** 18,000 BTU/hr. for the drying chamber.  
**AUTOMATIC PRESSURE REGULATOR (LSG Model):** Self-adjusting valve automatically compensates for variations in gas pressure.  
**LEVELING LEGS:** Adjustable, to level unit for proper installation.  
**WEIGHTS (Entire Unit Crated/Unrated):** 370 lbs. (167.8 kg)/340 lbs. (154.2 kg).

Models	Maytag® Compact Dryer	Maytag® Atlantis® Dryers			Maytag® Dryers			Maytag® Stacked Dryer
	MDE2400	MDE/G8400	MDE/G7400	MDE/G6400	SDE/G4606	SDE/G3606	SDE/G2606	LSE/G7806
<b>FEATURES</b>								
Capacity — cu. ft.	3.7	6.0	6.0	6.0	7.1	7.1	7.1	4.7
Controls	LED	Rotary	Rotary	Rotary	Rotary	Rotary	Rotary	Rotary
GentleBreeze™ Drying System								
Dryness Sensor	AutoDry	IntelliDry®	IntelliDry®	Automatic	IntelliDry®	Automatic	Automatic	Automatic
Moisture Monitor/Sensor								
Adjustable Degree Of Dryness								
Temperature Settings	3	Infinite	4	4	Variable	4	3	3
Time Dry Cycle								
Air Fluff Cycle								
Damp Dry Cycle								
Extended Tumble/Wrinkle Out								
Wrinkle Release								
Permanent Press/Wrinkle-Free Cycle								
Low/Delicate Temperature								
Ultra Care/Extra-Low Temperature								
End-Of-Cycle Signal	Melodious Chime	Variable Chime	On/Off Chime	On/Off Signal	On/Off Chime	On/Off Signal		
Drum Light								
Dryel® Cycle								
Reversible Door								
Extra-Large Door Opening								
Dryer Drum	Stainless	DuraCushion™	DuraCushion™	DuraCushion™	DuraCushion™	DuraCushion™	DuraCushion™	DuraCushion™
High-Capacity Blower								
Four-Point Suspension System								
Electronic Ignition W/Safety Shut-Off Valve (Gas Only)								
Optional Stacking Kit	MAL2424AXX							
Optional LP Kit		MAL9000AXX	MAL9000AXX	MAL9000AXX	LPK1	LPK1	LPK1	
Standard Drying Rack		MAL1100AXX†	MAL1100AXX	MAL1100AXX	DR3	DR3	DR3	
Sound Package	QuietSeries™ 300	Quiet Plus	Quiet Pack	Quiet Pack	Quiet Plus	Quiet Plus		Quiet Pack
Color Availability:								
White								
Bisque								

†Drying rack with side storage included.  
 Dryel® is a registered trademark of Procter & Gamble.



**MAYTAG® COMPACT FRONT-LOAD WASHER**  
**HEIGHT — IN. (CM):** 33 1/2 (84.5)  
**WIDTH — IN. (CM):** 23 1/2 (59.7)  
**DEPTH — IN. (CM):** 24 (61)  
**DEPTH (WITH DOOR OPEN) — IN. (CM):** 41 1/4 (104.3)  
**MOTOR:** 1/2 HP, 120-volt, 60 Hz.

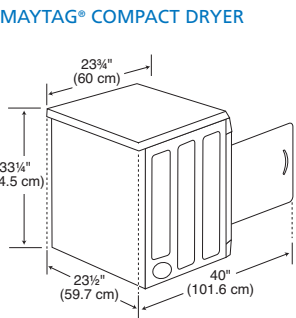
**MAYTAG® ATLANTIS® WASHERS**  
**MOTOR:** 1/2 HP, 120-volt, 60 Hz, single-phase, thermally protected against overload, auto-reset.  
**HOSE LENGTH:** Inlet: 4 feet (1.22 m); drain: 4 feet (1.22 m).  
**INSTALLATION REQUIREMENTS:** Hot and cold water connections with water pressure within 30 – 120 p.s.i. (207 – 827 KPa) range; 120°F to 140°F hot water; a drain; a 120-volt, 60 Hz electrical outlet properly grounded and protected by a 15-amp fuse.  
**WEIGHTS (Crated/Unrated):** 168 lbs. (76.4 kg)/152 lbs. (69.1 kg).

**MAYTAG® WASHERS**  
**MOTOR:** 1/2 HP rated, 120-volt, 60 Hz, reversible, thermally protected against overload, auto-reset.  
**HOSE LENGTH:** Inlet: 4 feet (1.22 m); drain: 4 feet (1.22 m).  
**INSTALLATION REQUIREMENTS:** Hot and cold water connections with water pressure within 30 – 120 p.s.i. (207 – 827 KPa) range; 120°F to 140°F hot water; a drain; a 120-volt, 60 Hz electrical outlet properly grounded and protected by a 15-amp fuse.  
**WEIGHTS (Crated/Unrated):** 200 lbs. (91 kg)/175 lbs. (80 kg).

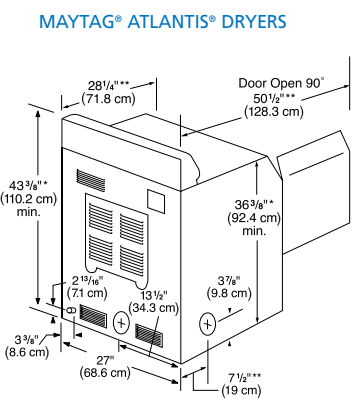


Models MAV9504E, MAV7504E, SAV5910E, SAV4655E and MAH2400

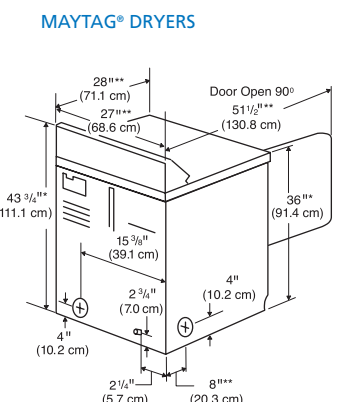
**Please note:** All models listed here may not be available from every Maytag dealer.  
 Because of continuing product improvement, Maytag reserves the right to change specifications without notice.  
 All Maytag® appliances are UL-, AGA-, CSA- or CGA-approved.  
 Dimensional specifications are for planning purposes only. For complete details, see installation instructions packed with product.  
 Gas dryer dimensions are shown. Electric dryer dimensions are identical to the gas models. Electric models do not have the gas manifold connections or the power cord. Terminal block on electric models only.



**MAYTAG® COMPACT DRYER**  
**HEIGHT — IN. (CM):** 33 1/2 (84.5)  
**WIDTH — IN. (CM):** 23 1/2 (59.7)  
**DEPTH — IN. (CM):** 23 1/2 (60)  
**DEPTH (WITH DOOR OPEN) — IN. (CM):** 40 (101.6)  
**MOTOR:** 1/2 HP, 240-volt, 60 Hz.  
**EXHAUST:** Use a minimum of 4" (10.2 cm) diameter rigid aluminum or galvanized-steel duct. Never use plastic, nonmetal or combustible duct.



**MAYTAG® ATLANTIS® DRYERS**  
**MOTOR:** 1/2 HP, 120-volt, 60 Hz, single-phase, thermally protected against overload, auto-reset.  
**EXHAUST:** Use a minimum of 4" (10.2 cm) diameter rigid aluminum or galvanized-steel duct. Never use plastic, nonmetal or combustible duct.  
**HEAT SOURCE/ELECTRICAL REQUIREMENTS:**  
 Electric model — 5,300-watt nichrome helix coil; 240-volt, AC, 60 Hz, 30-amp fuse.  
 Gas model — Single-port burner with automatic electric ignition; 22,000 BTU/hr., 15-amp fuse. Self-adjusting valve automatically compensates for variations in gas pressure.  
**WEIGHTS (Crated/Unrated):** 145 lbs. (66 kg)/130 lbs. (59 kg).



**MAYTAG® DRYERS**  
**MOTOR:** 1/2 HP, 120-volt, 60 Hz, single-phase, thermally protected against overload, auto-reset.  
**EXHAUST:** Use a minimum of 4" (10.2 cm) diameter rigid aluminum or galvanized-steel duct. Never use plastic, nonmetal or combustible duct.  
**HEAT SOURCE/ELECTRICAL REQUIREMENTS:**  
 Electric model — 5,300-watt nichrome helix coil; 240-volt, AC, 60 Hz, 30-amp fuse.  
 Gas model — Single-port burner with automatic electric ignition; 22,000 BTU/hr., 15-amp fuse. Self-adjusting valve automatically compensates for variations in gas pressure.  
**WEIGHTS (Crated/Unrated):** 145 lbs. (66 kg)/130 lbs. (59 kg).

