

Frigidaire

Factory Parts Catalog

Product No.	FRS6R5ESB5
Series	R134a
Color	stain/blk
Volts	115
Wiring Diagram	241526901
Owner's Guide	241661500
Market	North America
Energy Guide	241615421
Service Data Sheet	240389616

 **Electrolux**

Electrolux Major Appliances
North & Latin America
P.O. BOX 212378
AUGUSTA, GA 30917

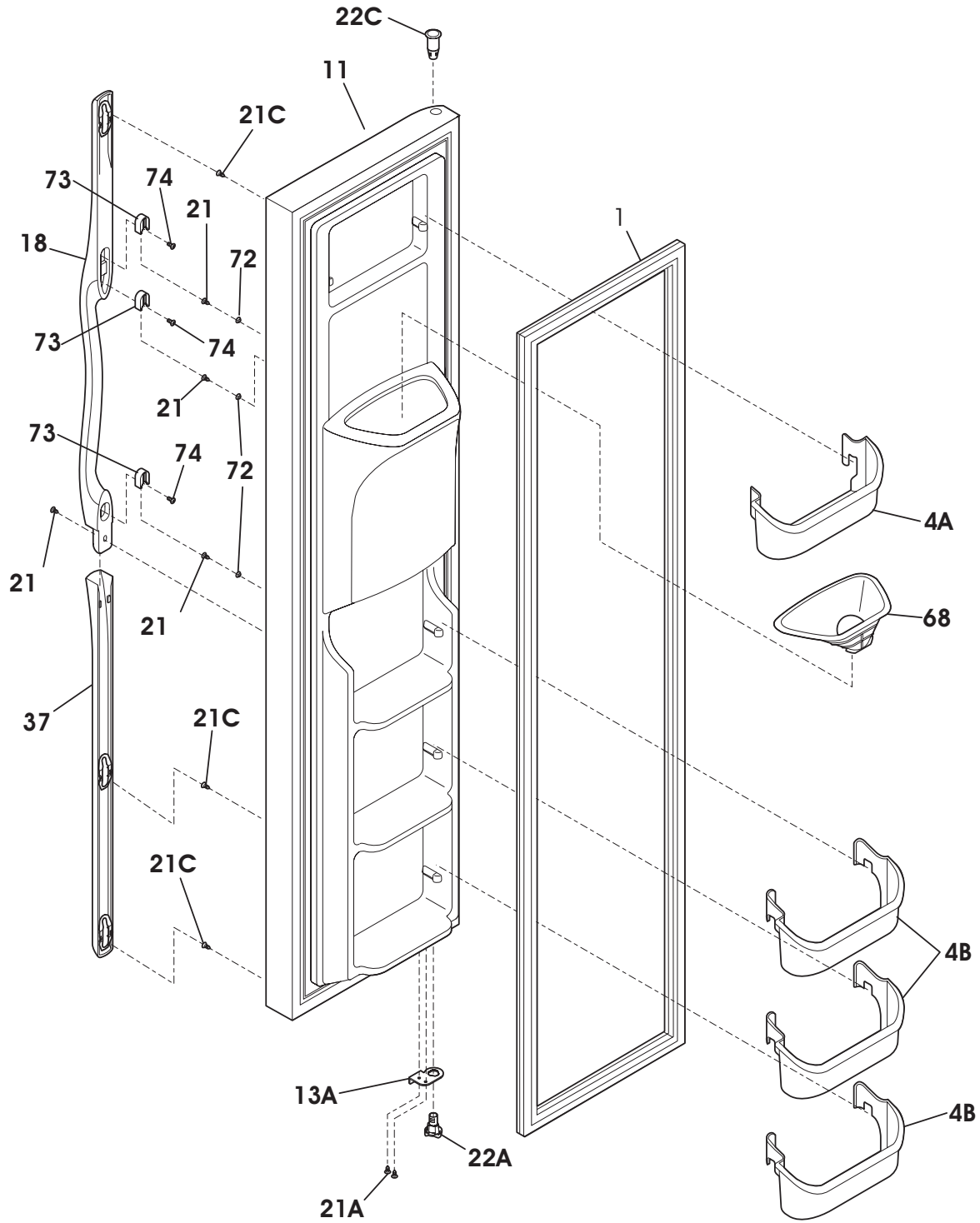
Publication No.
5995445797
05/08/23
(EN/SERVICE/DCS)
357

**SIDE-BY-SIDE
REFRIGERATOR**

**Model No.
FRS6R5ES**

Copyright © 2005 Electrolux Home Products, Inc.
All rights reserved.

FREEZER DOOR

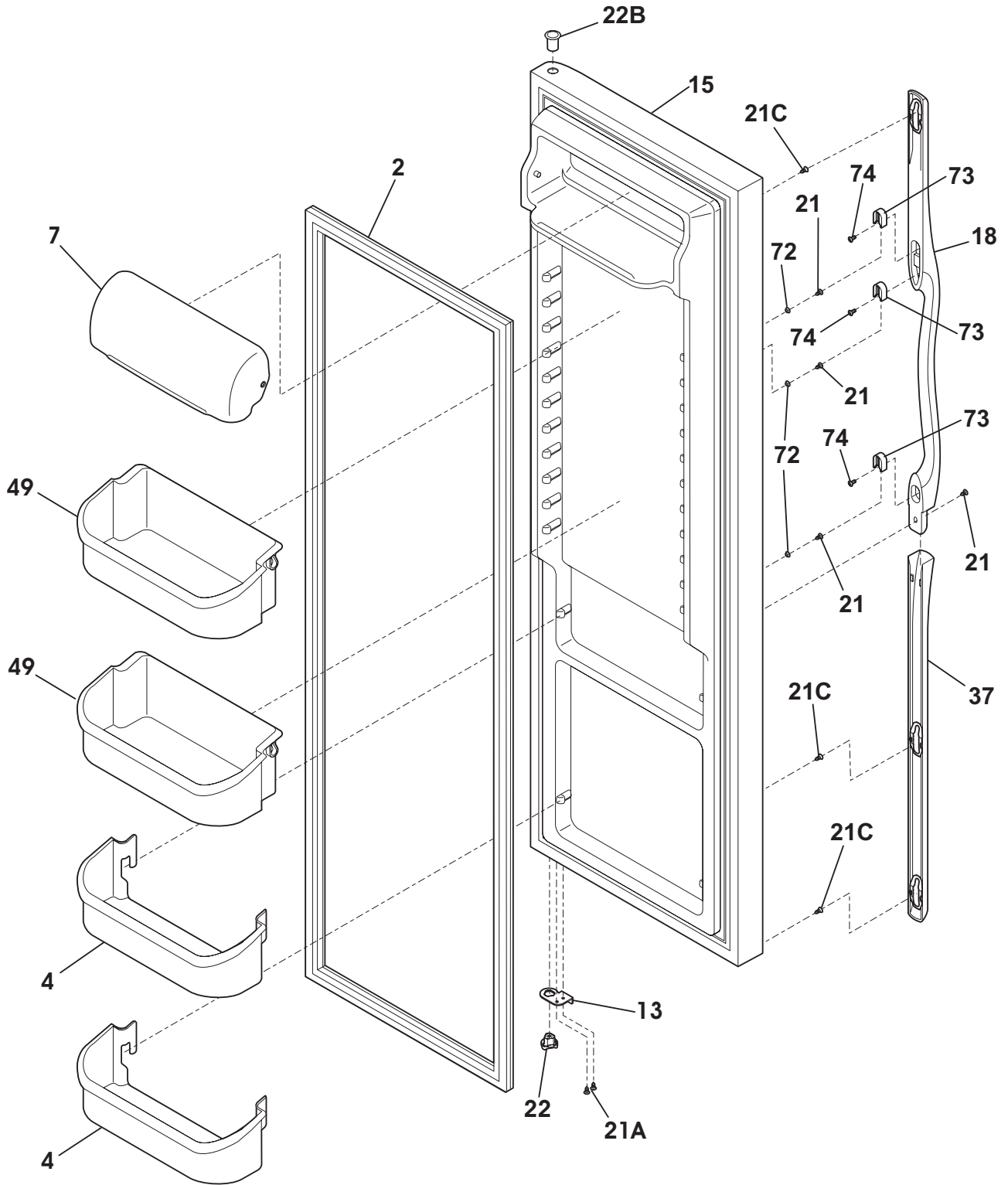


N58FCCBBB2

FREEZER DOOR

POS. NO	PART NO.	DESCRIPTION
1	241569806	Gasket-frzr door, black, magnetic
4A	240334201	Bin-door, frzr-upper
4B	240351601	Bin-door
11	241668181	Door-frzr, stainless, complete assy
13A	240581906	Door Stop, black, frzr
18	240359108	Handle-door, black, LH
21	218781100	Screw, pan head, 8-18 x 0.625
21A	240598401	Screw, 10-32 x 1/2
21C	240521302	Screw, #8-18 x 3/4
22A	240328204	Bearing-hinge(frz), black, closer
22C	240328404	Bearing-hinge, black, upper
37	240359203	Trim-handle, 30.13", black, lower
68	241525101	Chute-ice
72	240421701	Button-handle mtg, dovetail
73	218396700	Block-handle mtg, dovetail
74	215503200	Screw, cr pan hd, 10-16 x 0.500
*	218490901	Cleaner, stainless steel
*	240352102	Connector-water, straight
*	240552101	Harness-wiring, door
*	5303918256	Dispenser heater kit

REFRIGERATOR DOOR

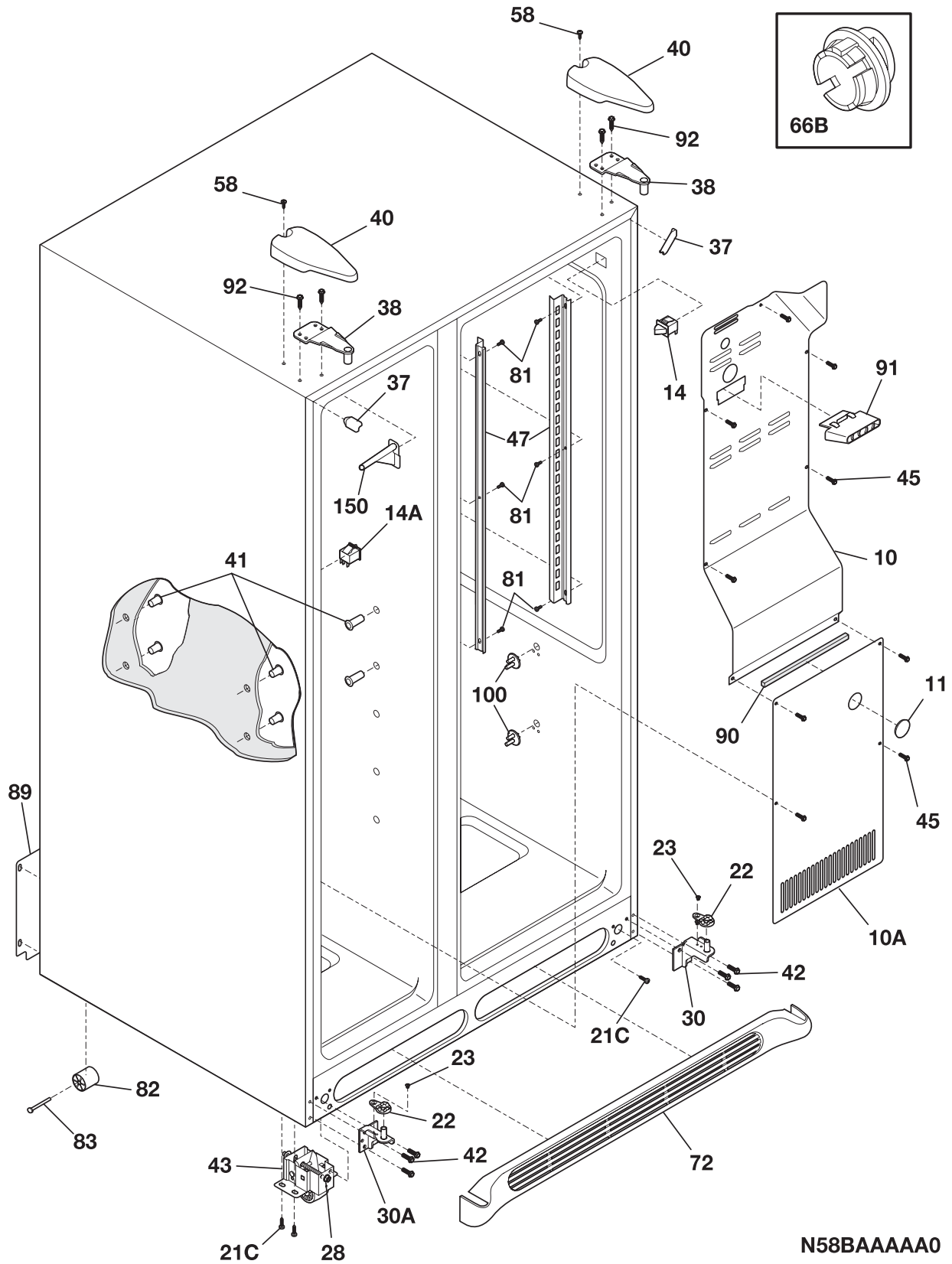


N58RCCBBB11

REFRIGERATOR DOOR

POS. NO	PART NO.	DESCRIPTION
2	241569805	Gasket-refr door, black, magnetic
4	240323001	Bin-door, pseudo, bottom
7	240326203	Door-dairy
13	240581905	Door Stop, black, ref
15	241534532	Door-refr, stainless, complete assy
18	240359103	Handle-door, black, RH
21	218781100	Screw, pan head, 8-18 x 0.625
21A	240598401	Screw, 10-32 x 1/2
21C	240521302	Screw, #8-18 x 3/4
22	240328203	Bearing-hinge, black, closer
22B	240328404	Bearing-hinge, black, upper
37	240359203	Trim-handle, 30.13", black, lower
49	240356401	Bin-door, gallon
72	240421701	Button-handle mtg, dovetail
73	218396700	Block-handle mtg, dovetail
74	215503200	Screw, cr pan hd, 10-16 x 0.500
*	218490901	Cleaner, stainless steel

CABINET

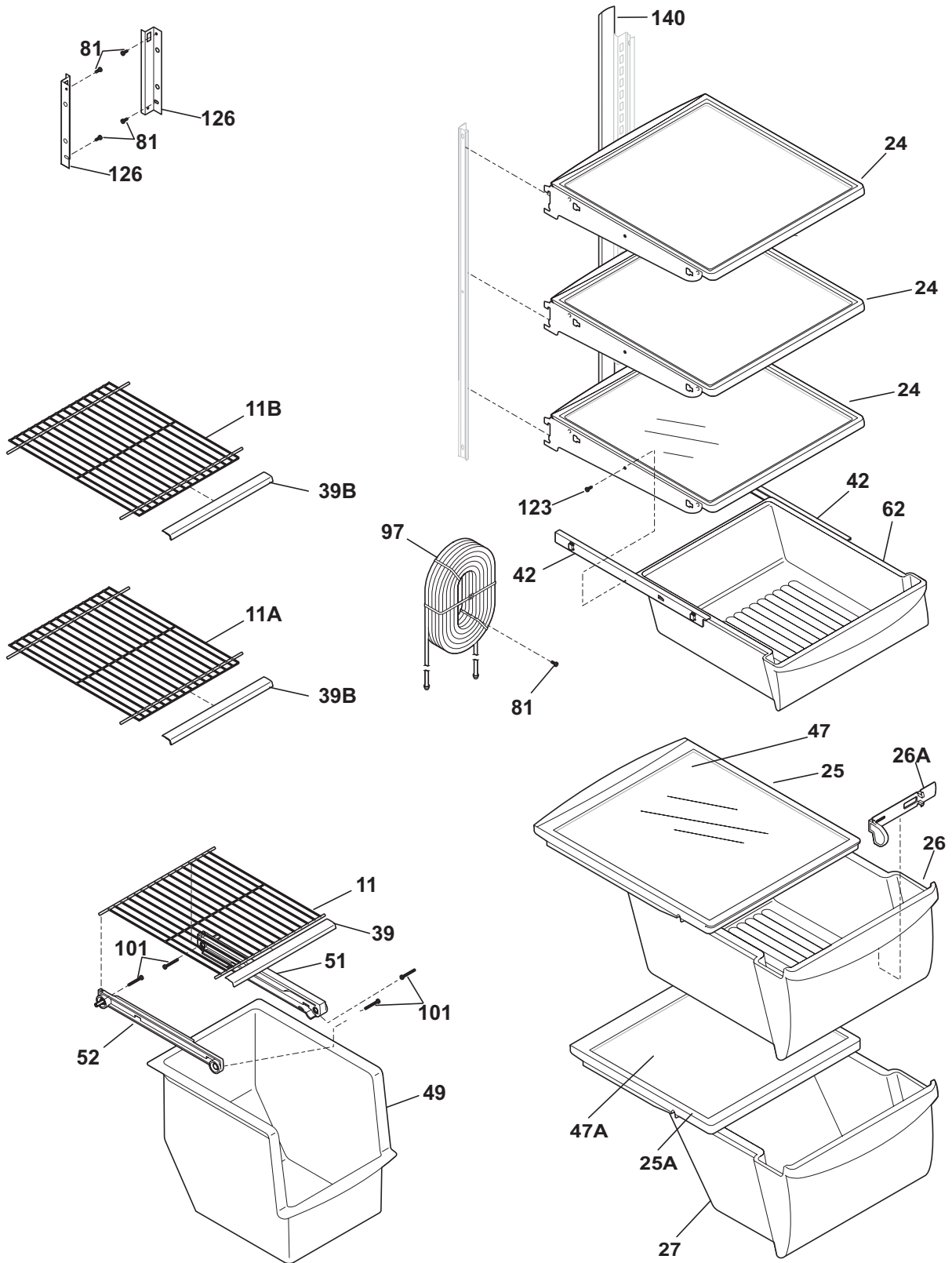


N58BAAAAA0

CABINET

POS. NO	PART NO.	DESCRIPTION
10	240435906	Cover-air duct
10A	240475907	Cover-evap coil, lower
11	5303208309	Plug-hole, factory test
14	240505801	Switch, light/lamp
14A	241547901	Switch-light/lamp, frzr door
21C	218252200	Screw, #8 truss hd, 10-32CA x 0.500
22	240457702	Plate-door closer
23	240402701	Screw-#10-32 x 1/4 flat hd
28	240335501	Bolt-roller adj, hex washer head, 1/4-20 x 4.020, (2), special
30	241603701	Bracket-lower hinge, ref
30A	241603702	Bracket-lower hinge
37	240337603	Trim-cabinet corner, black, (2)
38	240327201	Bracket-upper hinge
40	240327007	Cover-upper hinge, black
41	241550801	Grommet-shelf mtg, 1.40" long
41*	241550701	Grommet-shelf mtg, .96" long
42	240578901	Screw-hinge mtg, hex head, 1/4-20 x 5/8
43	240335003	Roller Assy, adjustable, front, (2)
45	241500301	Screw, hex washer head, 8-18AB x 0.500
47	218659500	Channel-shelf mtg, side, (2)
58	218781100	Screw, pan head, 8-18 x 0.625
66B	240374301	Diffuser-air
66B*	240518802	Pin-push, push-in, plastic
72	240324406	Grille/Kickplate, black
81	5308016566	Screw, hex washer head, 8-15A x 0.625, low profile
82	5304418225	Roller, compressor base, rear, (2)
83	5303316859	Rivet, flat head, 1/4 OD x 1-3/4, roller pin
89	241574602	Cover access
90	218249808	Seal-coil cover
91	240380101	Duct-ice maker
92	216850900	Screw, hex washer hd, 1/4 x 7/8, hinge mtg
100	240423701	Support, crisper cover, front, (4)
100*	240350802	Support, crisper cover, rear, (4)
150	240368701	Guide-control bulb
*	240396801	Clamp, tube/wiring, nylon, black/natural
*	240479601	Plug, button, cab liner holes, (2)
*	240481601	Shim-lower hinge
*	5303305345	Paint, touch-up, black

SHELVES

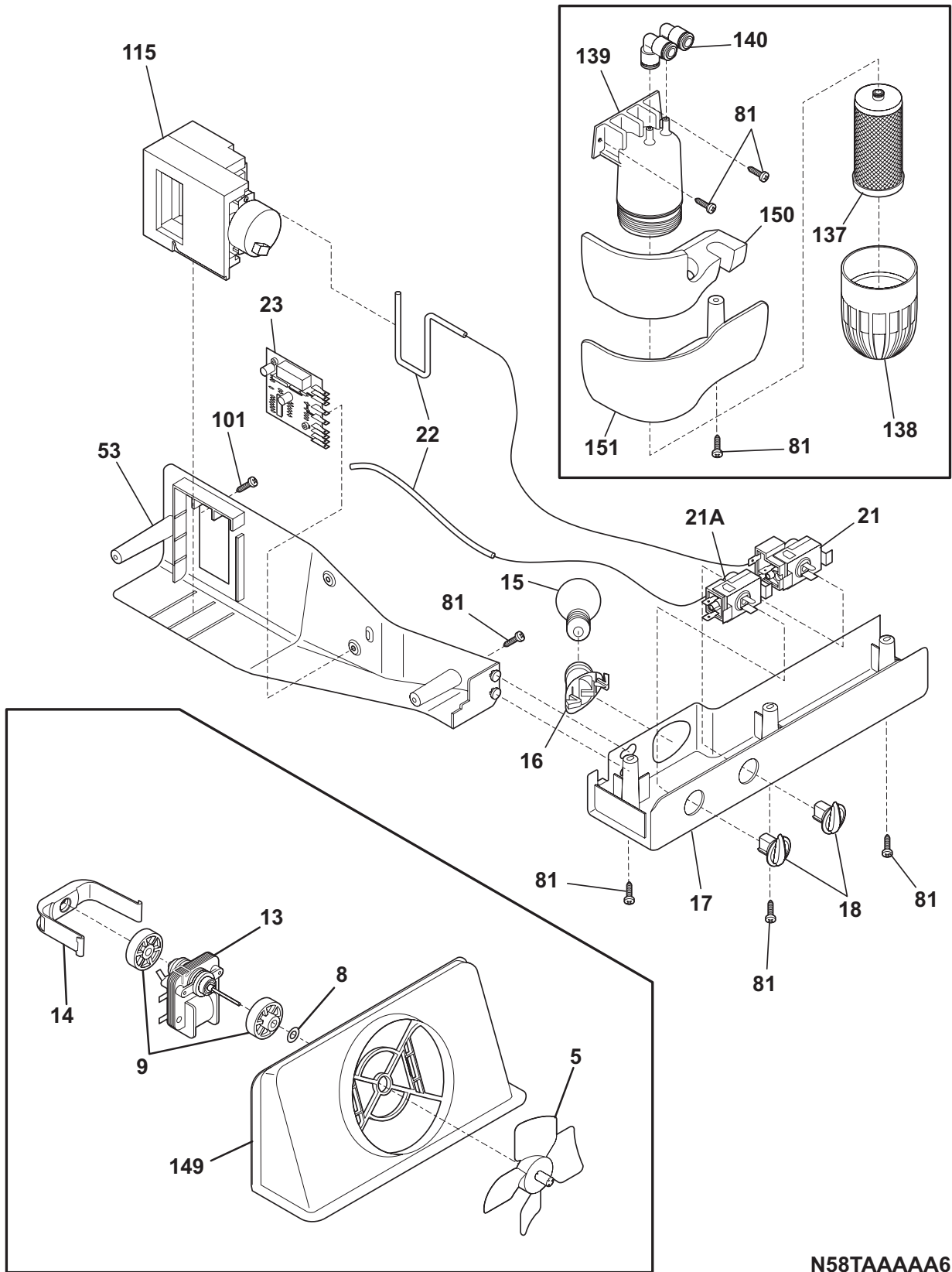


N58SJCAAB12

SHELVES

POS. NO	PART NO.	DESCRIPTION
11	241657602	Shelf, flip up, wire
11A	241657502	Shelf, fixed, freezer
11B	241657504	Shelf, fixed, freezer
24	240355208	Shelf-"Spill-Safe", fixed
25	240350702	Cover-crisper pan, upper
25*	240362101	Clip-slide, cover-crisper
25A	240350902	Cover-crisper pan, lower
26	240351005	Pan-crisper, upper
26*	240349801	Clip-slide, pan-crisper
26A	240362201	Control-humidity
27	240351206	Pan-crisper, lower
39	240430706	Trim-shelf, 11.21", front
39B	240430702	Trim-shelf, 12.39", front
42	240356501	Track, meat pan hanger, RH
42	240365401	Track, meat pan hanger, LH
47	240350633	Insert-pan cover, glass
47A	240350603	Insert-pan cover, glass
49	240564401	Basket-sliding
51	240343002	Hanger-basket, RH
52	240343102	Hanger-basket, LH
62	240342806	Pan-meat
81	5308016566	Screw, hex washer head, 8-15A x 0.625, low profile
97	240545302	Water Tank Assy, coiled tubing, rear filter
101	218493100	Screw, hex washer head, 8-18AB x 1-3/4
123	215005100	Screw, hanger/rlr mtg, 8-10 x 0.438
126	241630701	Channel, auger mtg, LH
126	241630702	Channel, auger mtg, RH
140	240430501	Channel, wtr tube cover

CONTROLS

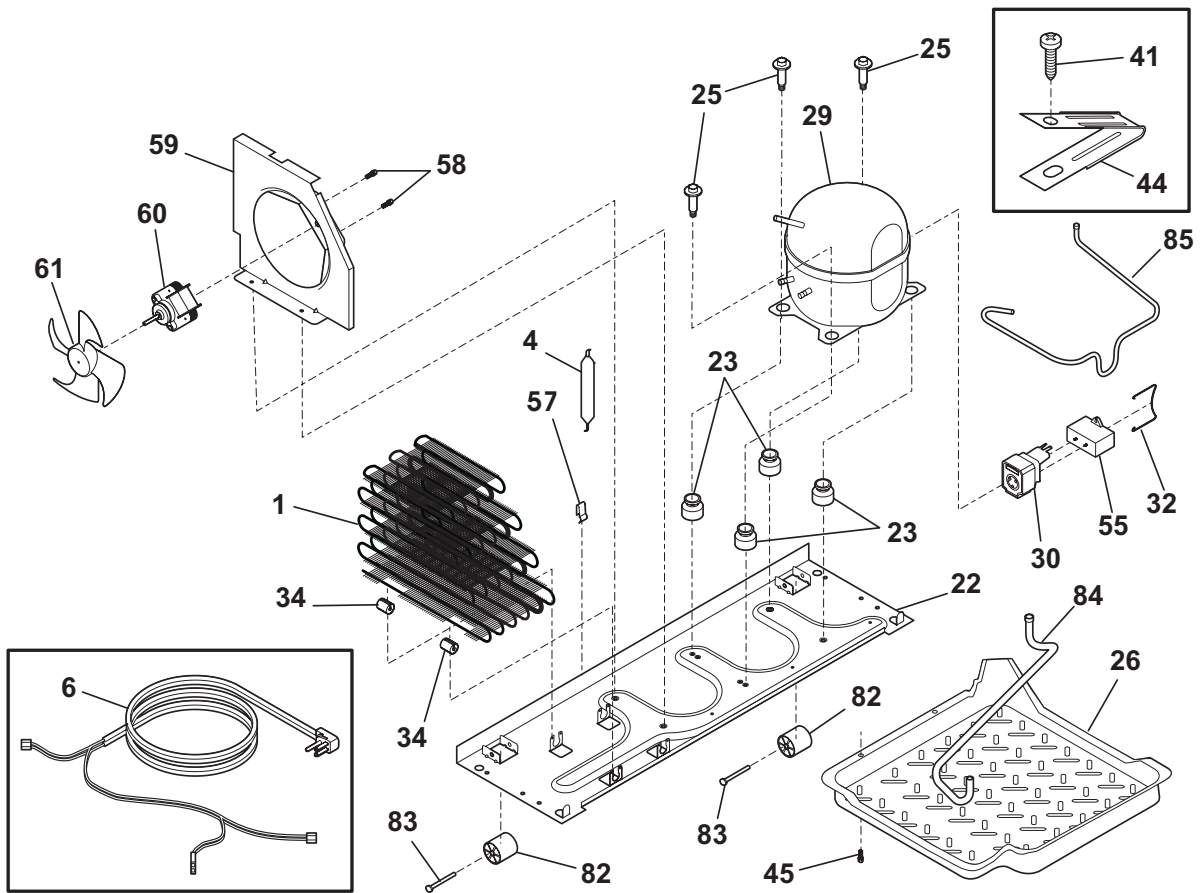
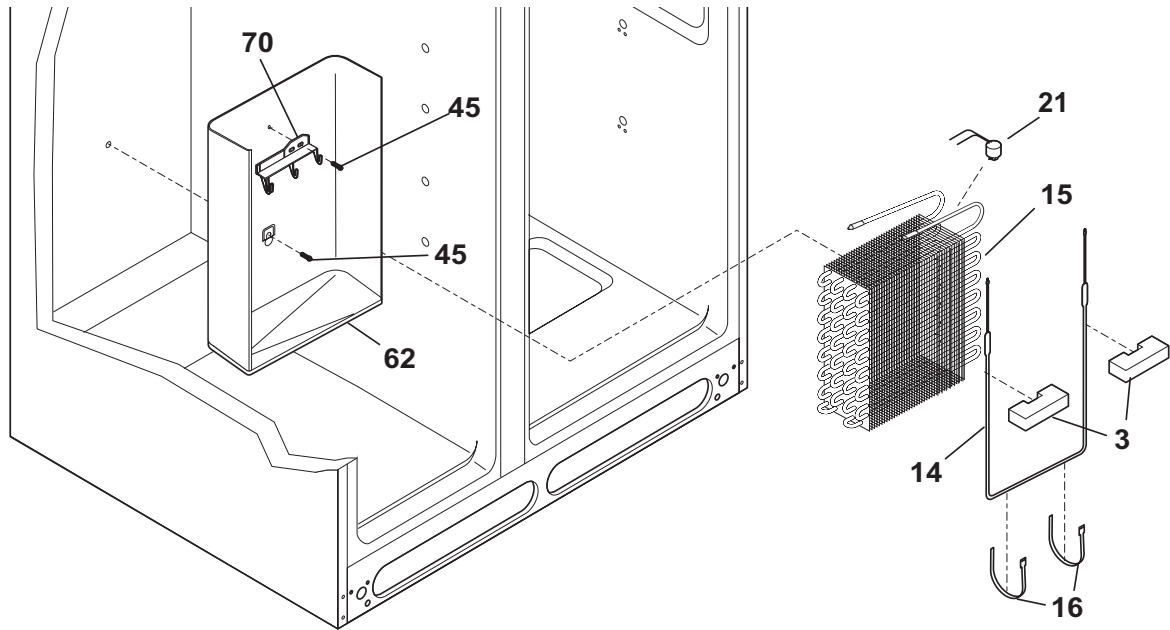


N58TAAAAA6

CONTROLS

POS. NO	PART NO.	DESCRIPTION
5 #	5308000010	Fan Blade, red, evaporator fan
8	215474201	Washer, "slinger", nylon, evap fan shaft
9	241563601	Bushing-motor mtg, (2)
13	240369702	Motor-evap fan
14	241517701	Clip, evap fan motor
15	241555401	Light Bulb
16 #	241513901	Socket-light
17	240383301	Box-control, front
17*	241537802	Harness-wiring, control box
18	240360801	Knob, temp control
21 #	241586501	Control-temperature
21A	5304421067	Control-temperature, frzr section
22	218660702	Tube-insulator
23 #	241508001	Control-defrost, adaptive timer, PC board
23*	5303001259	Screw-timer mtg, pan hd, 6-20 x 0.438, (2)
53	240369501	Box-control
81	5308016566	Screw, hex washer head, 8-15A x 0.625, low profile
101	241637201	Screw-Hex HD #8AB X 1 3/4
115	241600902	Damper Assy, w/seal
137#	240389102	Filter, water, carbon canister, rear, with o'rings
137*	218710300	Wrench-filter
138	240434401	Cup-water filter
138*	218904301	O-ring, wtr filter cup
139	240434301	Housing-water filtr
140	240545201	Elbow-water tube
149	241563501	Shroud-fan orifice
149*	241528306	Seal, shroud
150	240394102	Insulation-water filter cover
151	240376002	Cover-water filter

SYSTEM

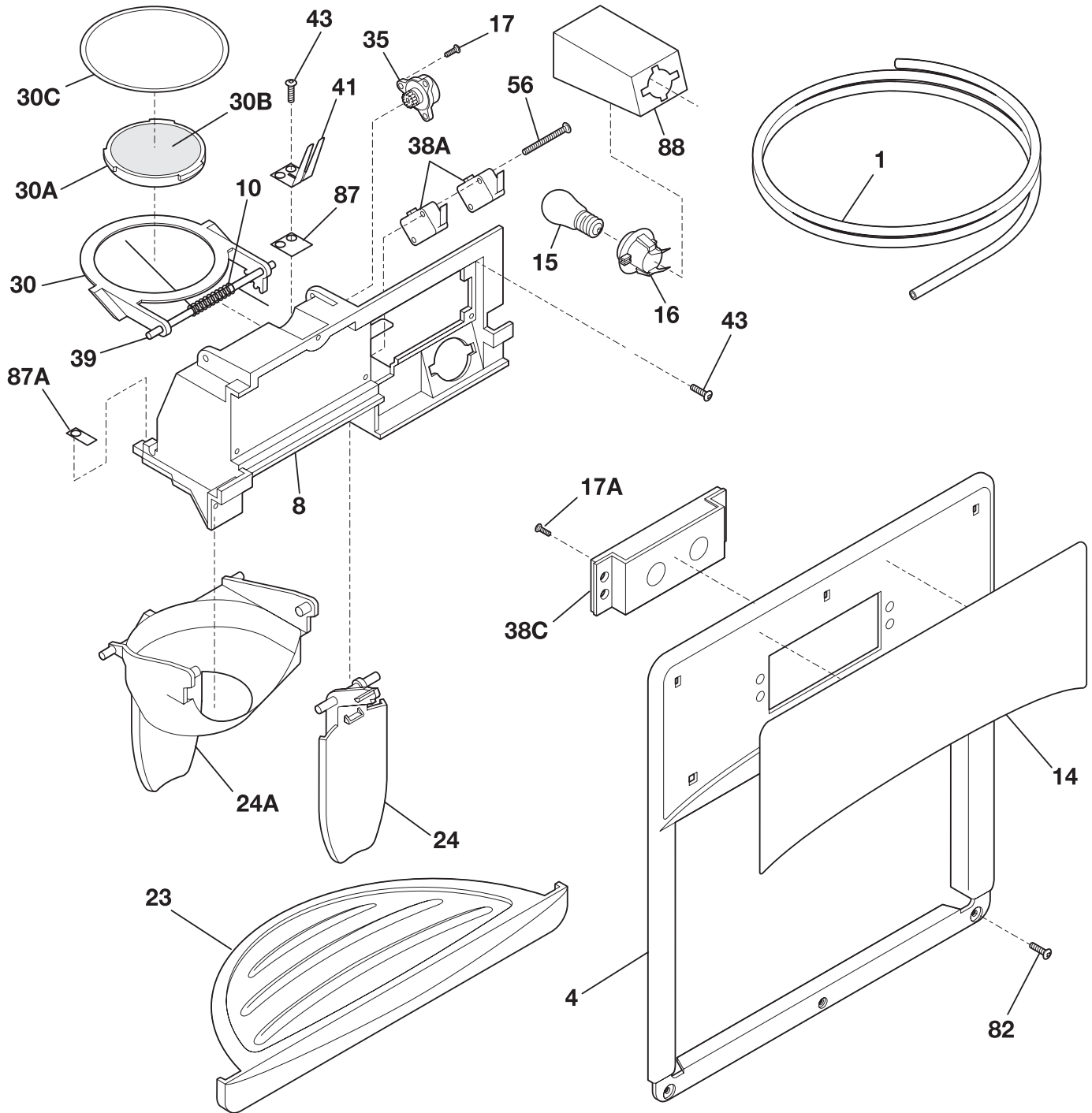


N58CAAAA5

SYSTEM

POS. NO	PART NO.	DESCRIPTION
1	240333603	Condenser
3	218679607	Block-evap coil, styrofoam, (2)
4 #	218944001	Drier-filter, R134a System
6	241586801	Harness-wiring, machine compt
6*	241537802	Harness-wiring, control box
6*	241651601	Harness-wiring
14 #	240316107	Heater-defrost
15 #	5303918284	Evaporator Kit
16	5308000110	Strap-evap/heater, aluminum, (2)
21 #	5303918214	Thermostat-defrost, kit
22	240330008	Base-compressor mtg
22*	218252200	Screw, #8 truss hd, 10-32CA x 0.500
23	218513300	Grommet-compr mtg, (4)
25	240491501	Screw-compressor mtg, 1/4-28 x 1.16, shoulder, typ CF
26	241637401	Pan-defrost
29 #	5303918316	Compressor, w/electricals
30 #	241524605	Starter
32	218973501	Clamp, elec cont mtg, compressor
34	240405201	Grommet, rubber, black, cond tube/wire
41	240555001	Screw-#8-32 X 3/8
44	215174700	Clamp-service cord, strain relief, galv steel
45	5308016566	Screw, hex washer head, 8-15A x 0.625, low profile
55	218909913	Capacitor, run, 220 VAC, 15 microfarad
57	240542601	Clip-wiring harness
58	218897002	Screw, hex washer head, 8-32 x 0.375
59	5304430246	Bracket-cond motor assy
59*	240346701	Tape-foam seal, shroud
59*	240359401	Screw-fan shroud, (2)
60 #	240525402	Motor, condensor fan
61 #	240524101	Fan Blade, galv steel, condenser fan
62	240429402	Trough-drain
70	218990801	Bracket-evap/cvr mtg
82	5304418225	Roller, compressor base, rear, (2)
83	5303316859	Rivet, flat head, 1/4 OD x 1-3/4, roller pin
84	5304421068	Tube-drain, lower
85	240346201	Tube-connector, suction
*	5303918222	Hot Tube Repair Kit, service
* #	5303918213	Heat Exchanger Kit, suction line

ICE & WATER DISPENSER

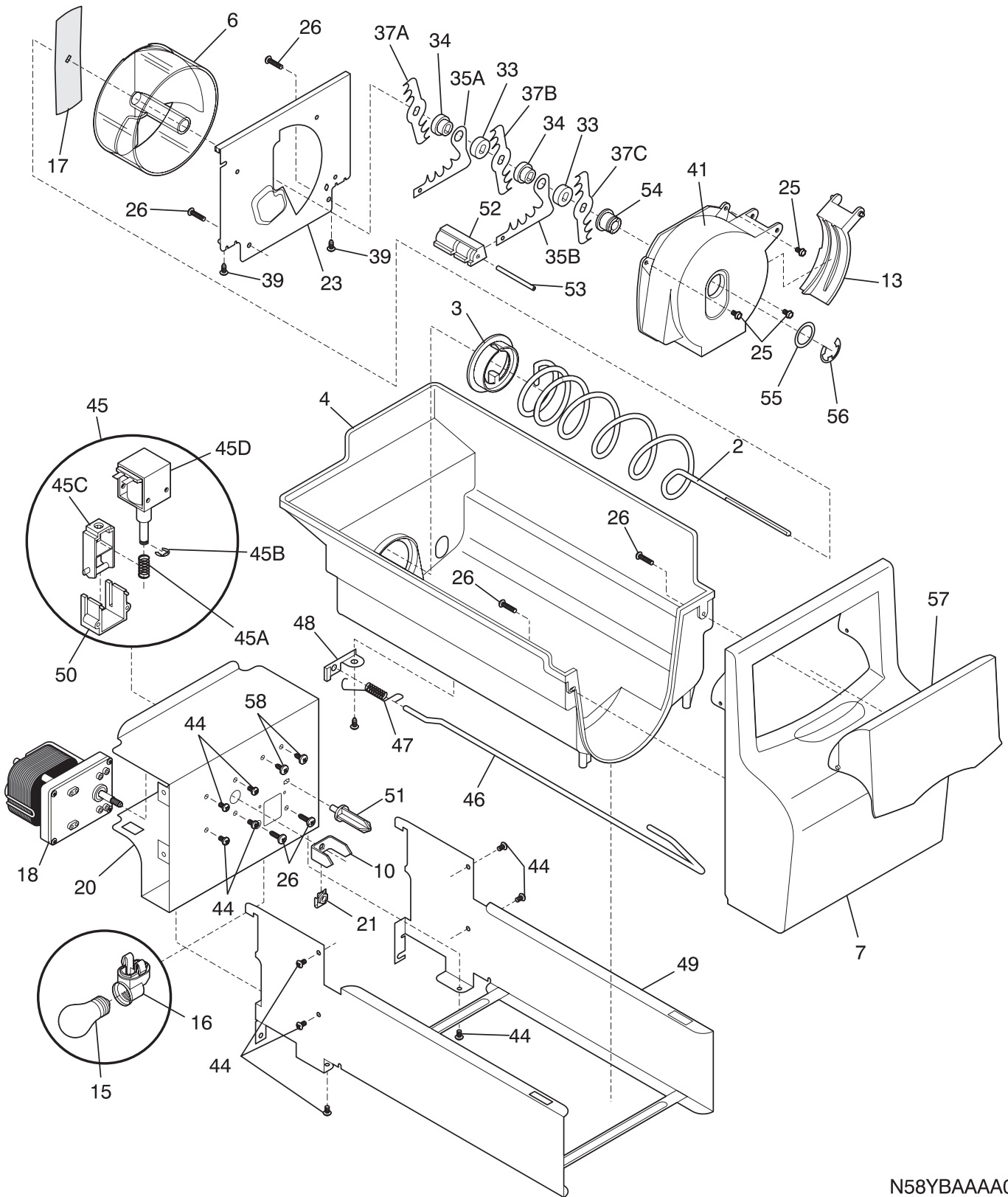


N58XDAAA1

ICE & WATER DISPENSER

POS. NO	PART NO.	DESCRIPTION
1	218976409	Tube-water-DOOR
1*	218976901	Tube-water inlet, inlet valve, to ice maker
1*	218976904	Tube-water inlet, valve to filter
1*	218976907	Tube-water inlet, valve to door
1*	240561701	Seal-water inlet, inlet valve, to ice maker
4	5304433186	Cover-module, black
8	5304422013	Module-dispenser
10	5304426649	Spring-torsion
14	240570206	Label-module cover, black
15	5304421616	Light Bulb
16	240548901	Socket-light
17	5304421619	Screw
17A	5304433185	Screw, switch mtg.
23	241649003	Drip Tray, black
24	5304422026	Actuator-water, black
24A	5304422025	Actuator-ice, black
30	5304421628	Door Assy-ice chute
30A	5304421624	Door center
30B	5304421625	Insulation-door
30C	5304421629	Door seal
35	5304421620	Damper-rotary
38A#	5304421617	Switch-micro, single pole, double throw
38A*	5304430839	Harness-wiring
38C	5304436275	Switch
38C*	5304430837	Harness-wiring
39	5304421627	Pin-hinge
41	5304421829	Spring-actuator
43	215296300	Screw, plask h/l, #6 x 3/8
56	5304421830	Screw-micro switch, pan head
82	240363401	Screw-#8-18 X 1/2, #6 hd plask
87	5304421622	Bearing Plate
87A	5304421621	Bearing Plate
88	5304421615	Shield-light
*	218515401	Clip
*	5303918256	Dispenser heater kit

ICE CONTAINER

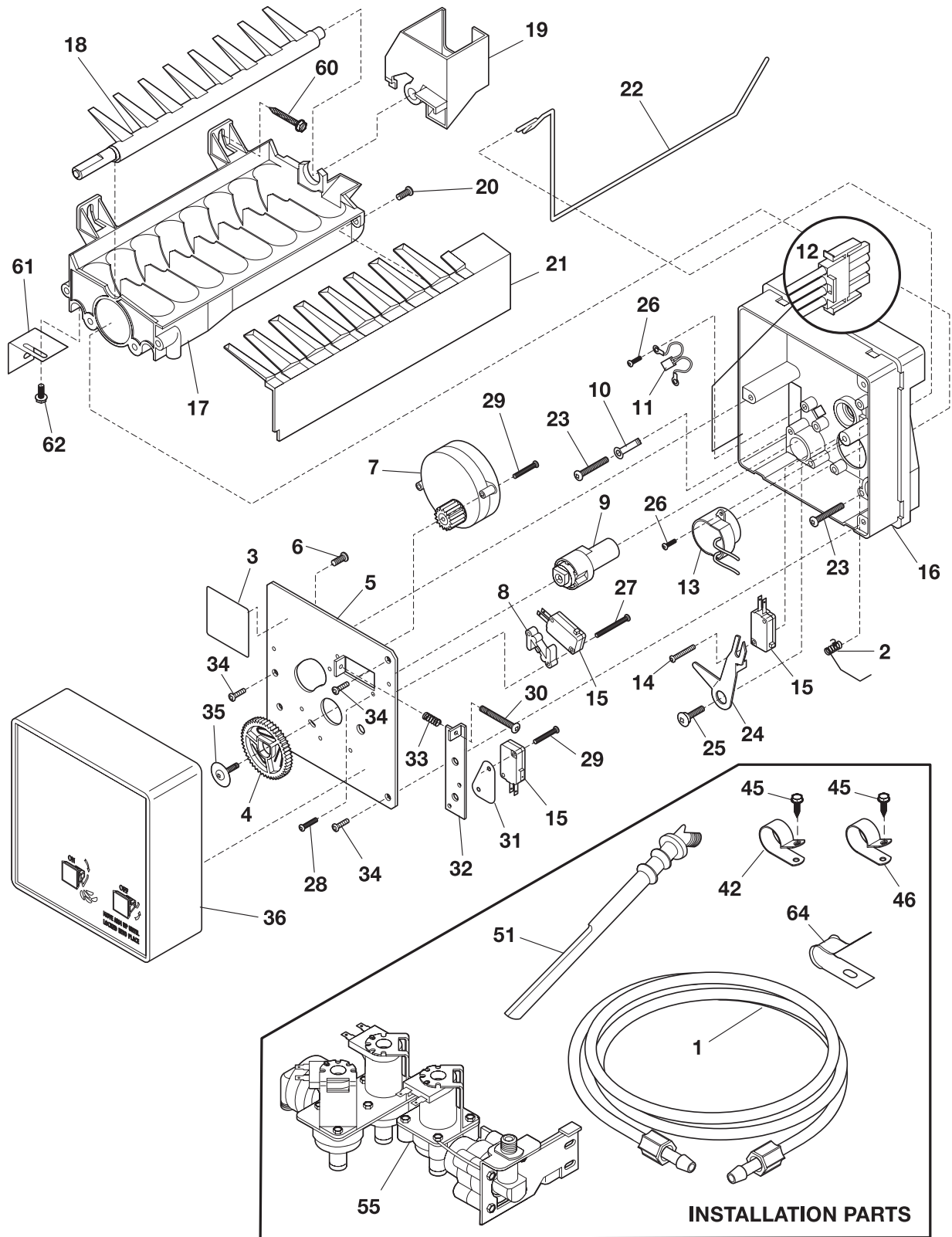


N58YBAAAA0

ICE CONTAINER

POS. NO	PART NO.	DESCRIPTION
2	5304428402	Auger-ice
3	5304404343	Cam-drive
4	218815300	Container-ice, bucket only
6	5304404346	Drum-ice disp
7	218815400	Front-ice container
10	241624801	Bar-drive
13	5304404359	Gate
15	241555401	Light Bulb
16	241559801	Socket-light
17	5304404345	Drive Blade
18 #	5304440392	Motor-auger
18*#	240352601	Wiring Harness, internal, with plug
20	5304404332	Cover-motor
21	215285100	Nut-drive
23	5304404347	Plate-front
25	5304404362	Screw, hex washer head, 8-32T x 0.375
26	215503200	Screw, cr pan hd, 10-16 x 0.500
33	5304404351	Spacer
34	5304404349	Spacer
35A	5304404353	Fixed Blade, round
35B	5304404352	Fixed Blade, square
37A	5304404348	Blade, crusher #1
37B	5304404350	Blade, crusher #2
37C	5304404356	Blade, crusher #3
39	5304404365	Screw
41	5304404358	Housing-crusher
44	218359200	Screw, pan head, 8-32 x 0.250
45 #	5304404333	Solenoid Assy
45A	5304406816	Spring-solenoid
45B	5304406817	E-Ring-solenoid
45C	5304406818	Actuator-solenoid
45D	5304406819	Solenoid
46	5304404341	Control Rod
47	5304404342	Spring-control rod
48	5304404340	Bracket-control rod
48*	5304404364	Screw-bracket
49	5304404329	Rail Assy
50	5304404334	Guide-solenoid
51	5304404336	Rotation Stop
52	5304404354	Spacer-fixed blades
53	5304404355	Pin-spiral, fixed blades
54	5304404357	Nut-auger
55	5304404360	Washer
56	5304404361	E-ring
57	5304404363	Door-access
58	5304404331	Screw-solenoid
*	240323808	Ice Container Assy, w/moving parts
*	240507202	Deflector-ice container

ICE MAKER

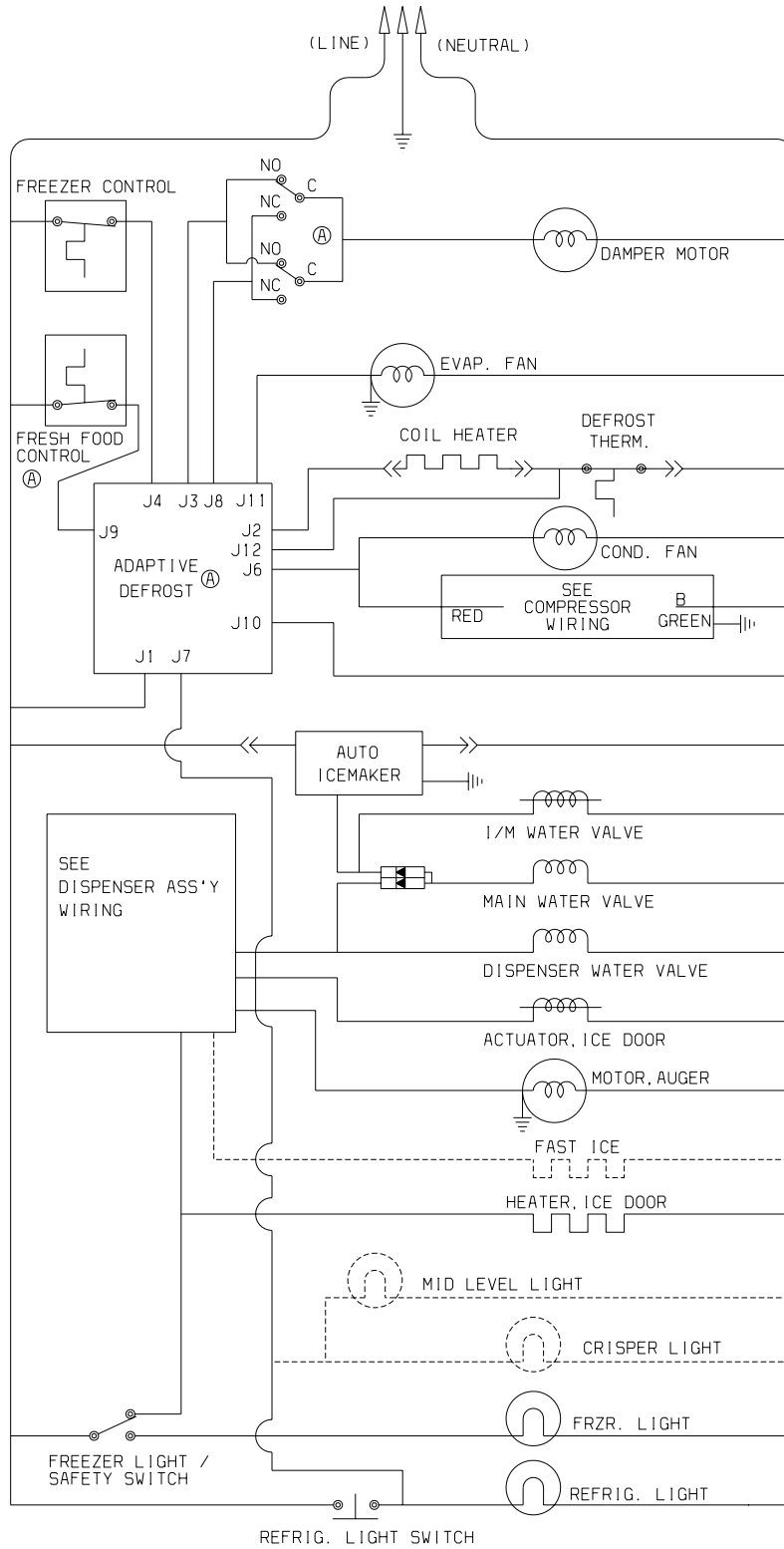


N58I115

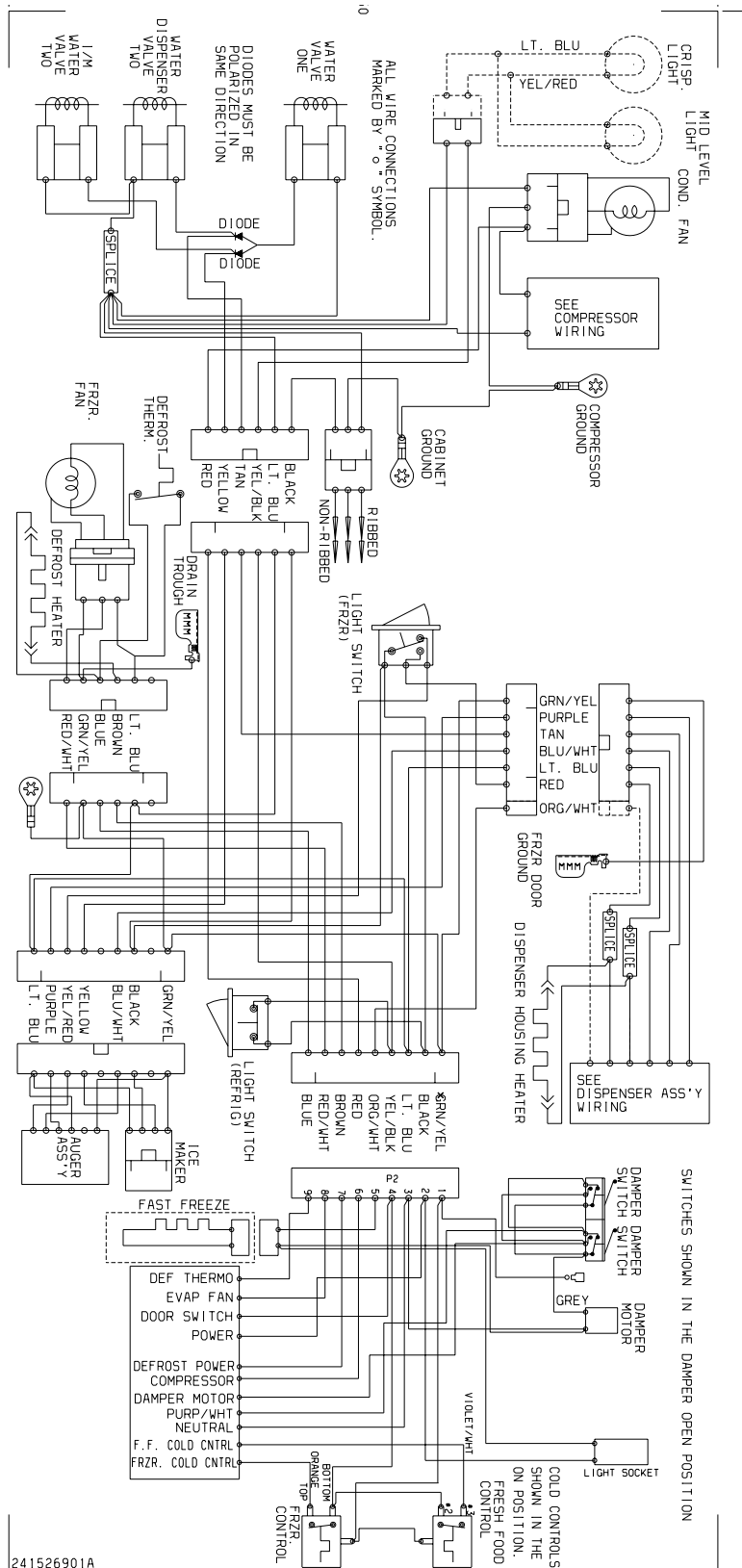
ICE MAKER

POS. NO	PART NO.	DESCRIPTION
1	218976409	Tube-water-DOOR
1*	218976901	Tube-water inlet, inlet valve, to ice maker
1*	218976904	Tube-water inlet, valve to filter
1*	218976907	Tube-water inlet, valve to door
1*	240561701	Seal-water inlet, inlet valve, to ice maker
2	5304420650	Spring, shut-off arm
3	3206299	Label, ID plate
4	3206301	Gear
5	3206303	Plate-mounting
6	3206305	Screw-ground wire, 8-32 x 0.250
7 #	3206306	Motor-ice maker
8	3206312	Spacer-hold switch
9	3206313	Cam
10	3206315	Clamp
11 #	3206319	Thermal Cutoff, ICE MAKER, complete assy
12 #	240352601	Wiring Harness, internal, with plug
13 #	3206322	Thermostat Assy, ICE MAKER
14	5304420652	Screw, 4 x 0.750, switch mtg.
15 #	3206324	Switch, (3)
16	5304420653	Support, phenolic
17 #	5303320545	Mold-ice maker, Radius Cube, with heater
18	3206328	Ejector-ice
19	3206330	Bearing & Inlet
20	5304408581	Screw, 8-32 x 0.375
21	3206332	Ice Stripper
22	3206333	Shut-off Arm
23	5304408582	Screw, 8-32 x 0.875, mold-to-support, (3)
24	3206335	Lever Arm
25	3206336	Screw, 8-18 x 0.562, lever arm/sprt
26	5304420654	Screw-thermo/sprt, 4-24 x 0.375, (4)
27	3206338	Screw, 4-40 x 1.000, hold switch mtg, (2)
28	3206339	Screw-timing stop, 4-40 x 0.375
29	3206323	Screw, 4-24 x 0.750, (6)
30	3206341	Screw-timing adj, 8-32 x 1.000
31	3206342	Insulator
32	3206343	Plate-valve switch
33	5304408583	Spring-timing adj
34	5304420655	Screw, plazscrew, 8-10, (3)
35	5304408585	Screw
36	3206347	Cover-ice maker
42	5303001199	Clamp-wiring harness, strain relief, galv steel
42*	218515402	Clip, (2), tube mtg.
45	5308016566	Screw, hex washer head, 8-15A x 0.625, low profile
45*	5303001343	Screw, hex washer head, 8-15A x 0.500
46	5303001193	Clamp, .50 ID, steel, water tube
46*	5308000133	Clamp, nylon, .625 ID
51	240387101	Tube-water, ice mold fill, extension
55 #	240531101	Valve-water, triple solenoid
55*	218709100	Screw, hex head, 10-32 x 0.500
55*	240363601	Screw-shoulder
55*	240542901	Cap-water valve
60	5303207328	Screw, hex washer head, 8-15A x 1.000, (2)
61	218721500	Bracket-leveling, ICE MAKER
62	218737900	Screw-IM brkt mtg, hex washer head, 8-32D x 0.375
64	5303001549	Clamp, 0.31 ID, steel, copper wtr line
*	218888001	Adapter-water supply, nut & sleeve, compression ftg
*	240352411	Ice Maker, Radius Cube, 115 V, no instl parts

WIRING SCHEMATIC



WIRING DIAGRAM



Functional Parts
* Non-Illustrated Parts