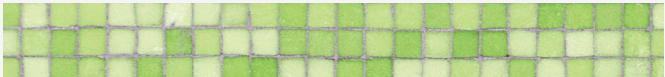


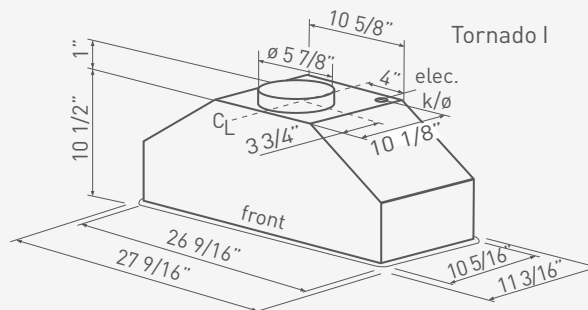
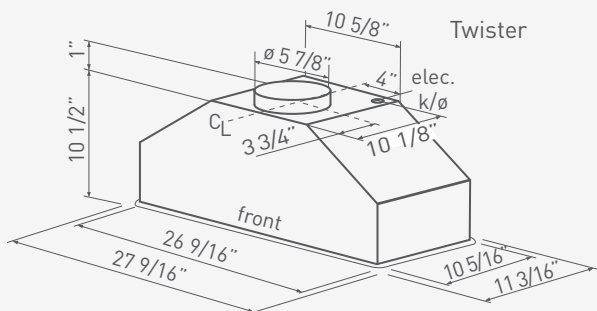
TWISTER TORNADO I



Sometimes you just need to cover your bases, so we designed these inexpensive power packs as simple, no-hassle solutions that blend in anywhere. Each hides powerful ventilation beneath the kitchen hood canopy of your choice, with three blower speeds and dual halogen lights. Decorative stainless steel filters add style. Just choose the ventilation level that's right for you and an optional, easy-to-install liner to complement your kitchen.



ESSENTIALS



Cabinet Bottom Cut-Out Size (W x D): AK8000AS and AK8100AS: 26 7/8" x 10 5/8".

TWISTER, TORNADO I

POWER PACK

MODEL	TWISTER - AK8000AS	TORNADO I - AK8100AS
SIZE	27"	27"
NET WIDTH	27 9/16"	27 9/16"
PERFORMANCE		
Internal Blower	290 CFM	600 CFM
Internal Blower Sones	3.2	6
COLOR		
Stainless Steel	SS	SS
FEATURES		
Controls	Mechanical Slide	Mechanical Slide
Speed Levels	3	3
Auto Delay-Off	No	No
Lighting	Halogen, 35W x 2	Halogen, 35W x 2
Dual-Level Lighting	Yes	Yes
Filters	Metal Mesh x 1	Decorative Mesh x 1
Recirculating	Yes	No
DUCT SPECIFICATIONS		
Vertical	6"	6"
Horizontal	NA	NA
AC INPUT	120V - 60Hz	120V - 60Hz
AC POWER	150W, 1.25 Amps	390W, 3.25 Amps
OPTIONAL ACCESSORIES		
30" Liner (17 1/8" - 20 1/2" Depth)	AK0800AS	AK0800AS
36" Liner (17 1/8" - 20 1/2" Depth)	AK0836AS	AK0836AS
Recirculating Kit	ZRC-0100	NA

Mounting Heights Min. height 26" from cooking surface.
Hood mounted 62" from floor.

Max. height 36" from cooking surface.
Hood mounted 72" from floor.

