

*Frigidaire*

Factory Parts Catalog

Product No.	GLGF388DBE	GLGF388DQE	GLGF388DSE
Series	30" f/s gas	30" f/a gas	30" f/s gas
Color	black	bisque	white
Market	North America	North America	North America
Wiring Diagram	316417809	316417809	316417809
Owner's Guide	316417103	316417103	316417103
Installation Instructions	316259336	316259336	316259336
Service Data Sheet	316417610	316417610	316417610

 **Electrolux**

Electrolux Major Appliances  
 North & Latin America  
 P.O. BOX 212378  
 AUGUSTA, GA 30917

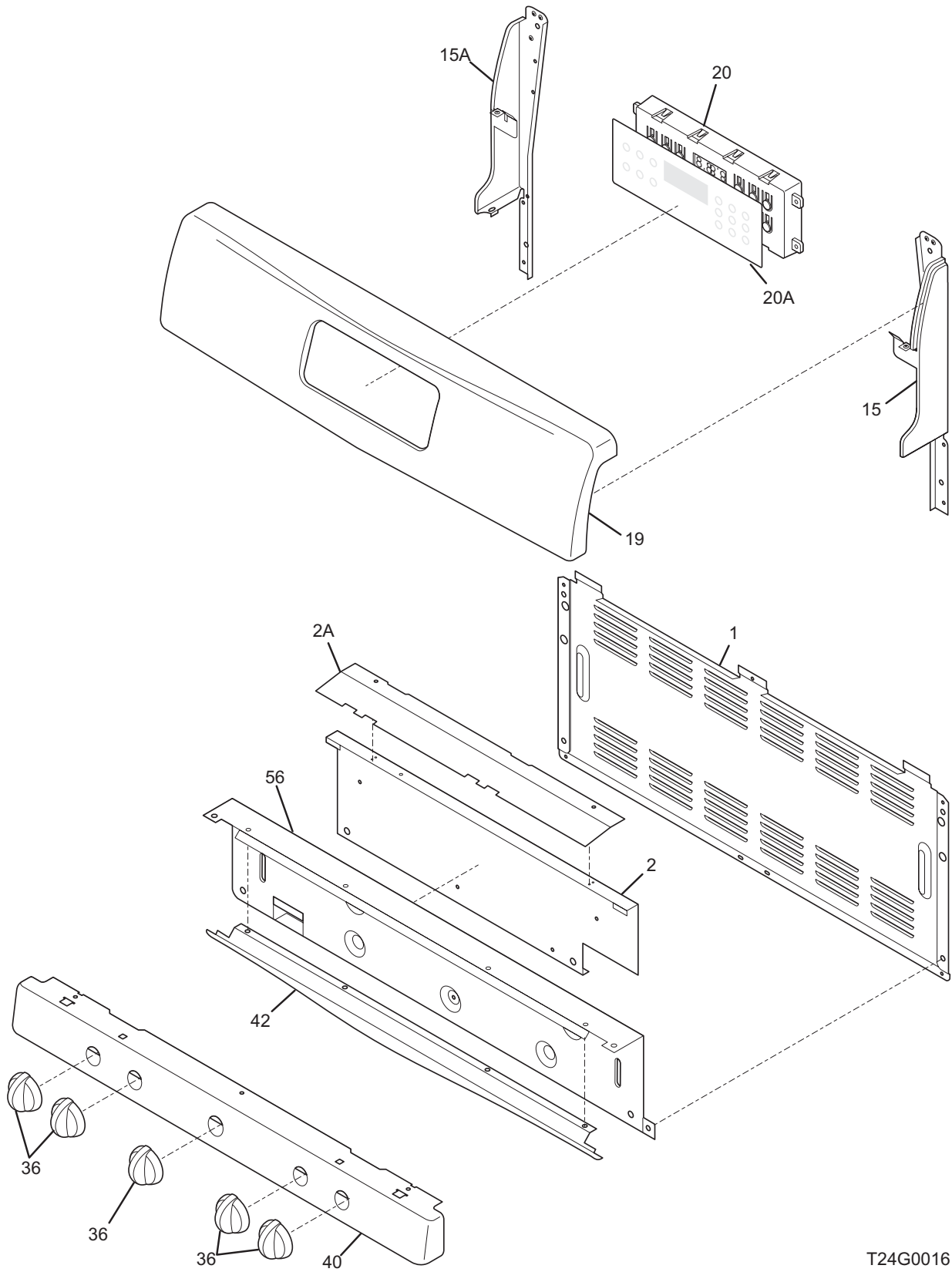
Publication No.  
**5995448353**  
 05/09/19  
 (EN/SERVICE/BJH)  
 369

**30-INCH FREE-  
 STANDING GAS  
 RANGE**

Model No.  
**GLGF388D**

Copyright © 2005 Electrolux Home Products, Inc.  
 All rights reserved.

**BACKGUARD**



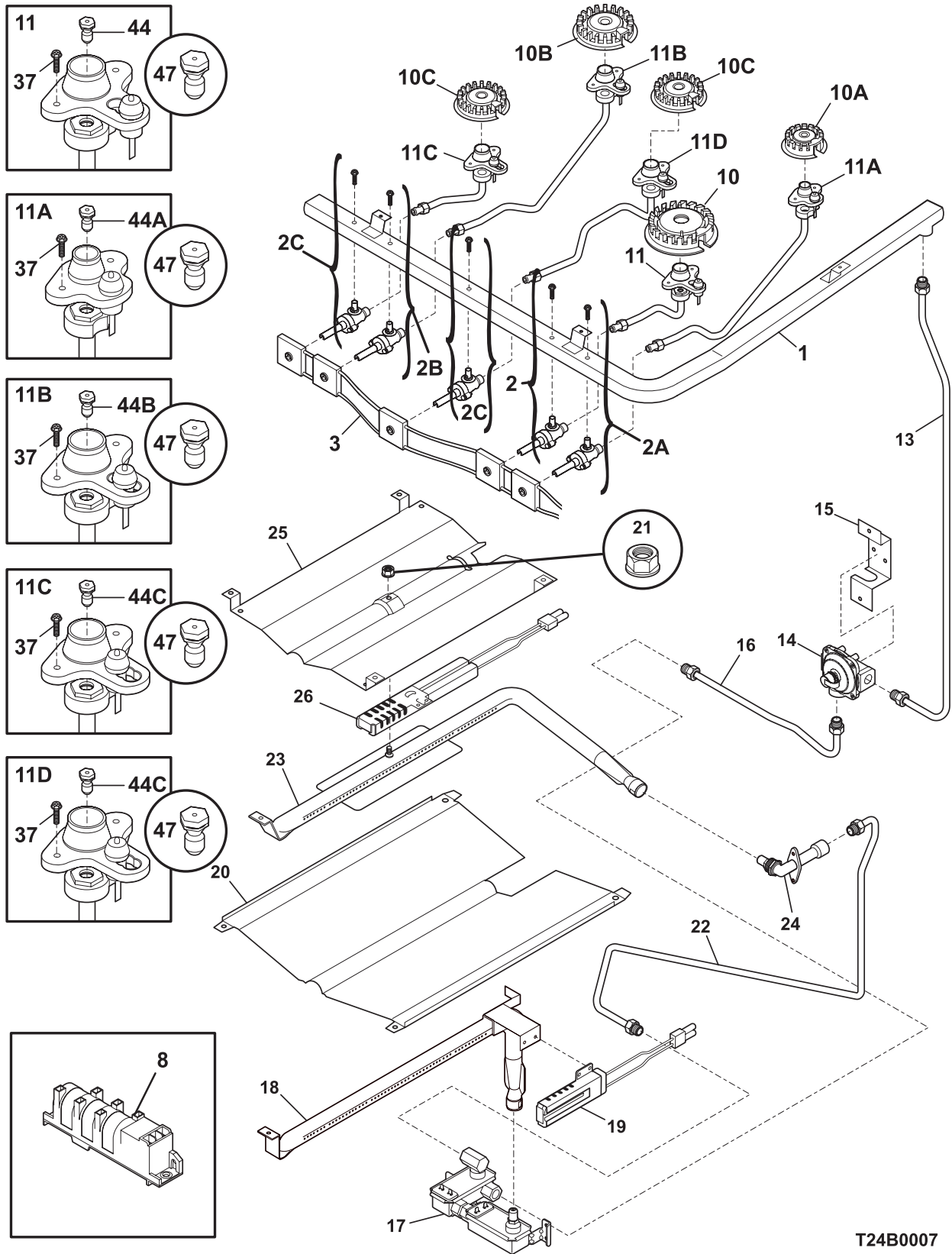
T24G0016

**BACKGUARD**

*Model Index:* A GLGF388D (GLGF388DBE)  
 B GLGF388D (GLGF388DQE)  
 C GLGF388D (GLGF388DSE)

POS. NO	PART NO.		DESCRIPTION
1	316416100	A B C	Shield, backguard, rear wall
2	316051600	A B C	Shield, backguard, inner
2A	316235100	A B C	Shield, top, inner
15	316411405	A - -	Support, backguard, black, RH
15	316411407	- B -	Support, backguard, bisque, RH
15	316411403	- - C	Support, backguard, white, RH
15A	316411404	A - -	Support, backguard, black, LH
15A	316411406	- B -	Support, backguard, bisque, LH
15A	316411402	- - C	Support, backguard, white, LH
19	316424125	A - -	Panel, control, black
19	316424124	- B -	Panel, control, bisque
19	316424123	- - C	Panel, control, white
20 #	316418701	A B C	Clock/Timer, electronic, ES510
20A	316419700	A - -	Overlay, clock, black, w/mini oven, ES510
20A	316419702	- B -	Overlay, clock, bisque, w/mini oven, ES510
20A	316419701	- - C	Overlay, clock, white, w/mini oven, ES510
36	316220002	A - -	Knob, top valve, black, 4
36	316220003	- B -	Knob, top valve, bisque, (4)
36	316220000	- - C	Knob, top valve, white, (4)
40	316447320	A - -	Panel, manifold, black
40	316447321	- B -	Panel, manifold, bisque
40	316447322	- - C	Panel, manifold, white
42	316416200	A - -	Trim, extrusion, black
42	316416202	- B -	Trim, extrusion, tan
42	316416201	- - C	Trim, extrusion, gray
56	316230701	A B C	Shield, backguard, inner
*	316021105	A B C	Screw, hex head cup pt, 8-18 x 0.375, black
*	316021108	A B C	Screw, cup pt, 8-18 x 0.375, chrome
*	316021109	A B C	Screw, 8-18 x 0.5, chrome
*	316021110	A B C	Screw, 8-18 x 0.5, black

BURNER



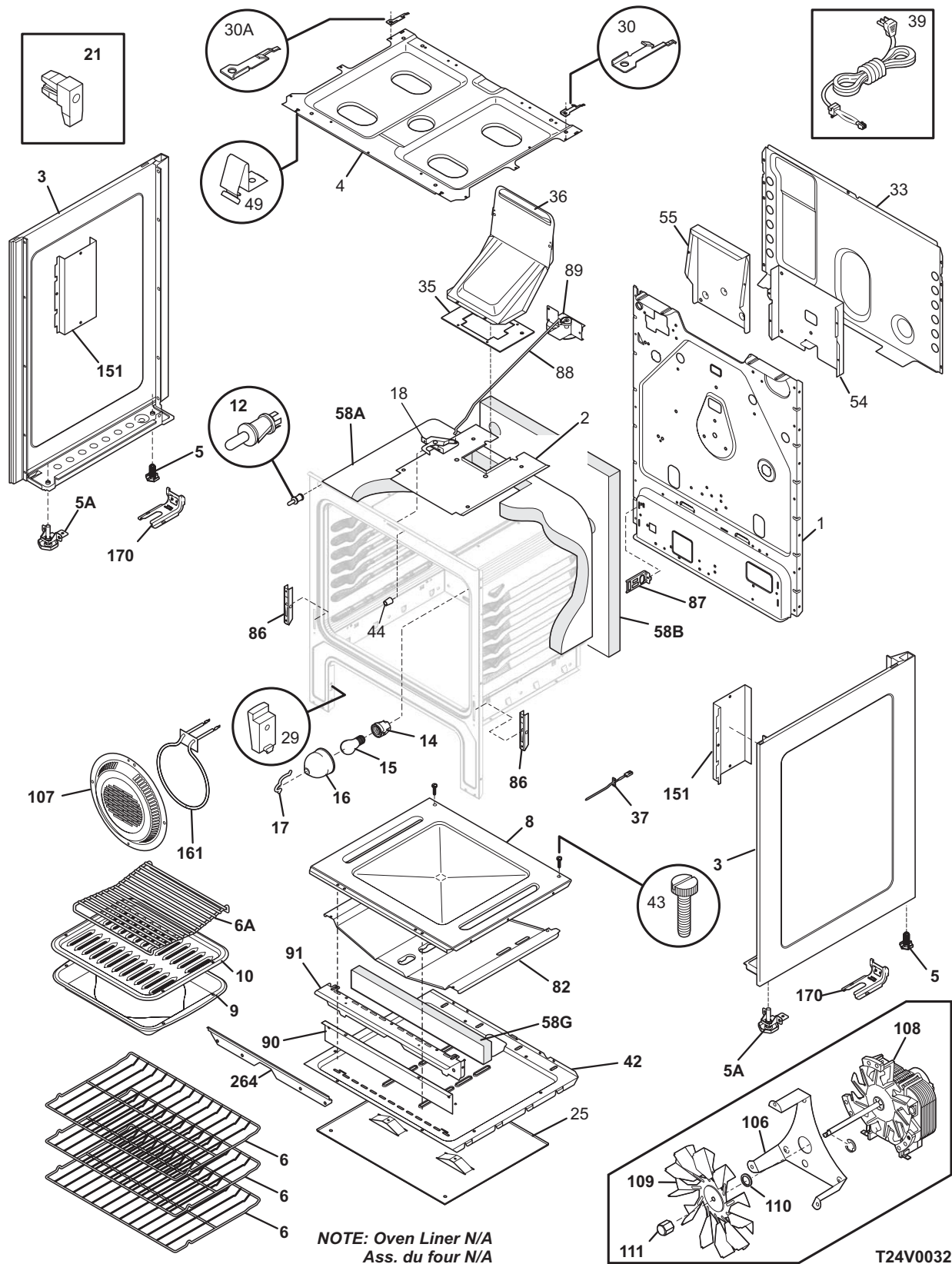
T24B0007

**BURNER**

*Model Index:* A GLGF388D (GLGF388DBE)  
 B GLGF388D (GLGF388DQE)  
 C GLGF388D (GLGF388DSE)

POS. NO	PART NO.		DESCRIPTION
1 #	316219501	A B C	Pipe, manifold
2 #	5303935233	A B C	Valve, 17K burner, w/mtg screw
2A #	5303935235	A B C	Valve, 5K burner, w/mtg screw
2B #	5303935232	A B C	Valve, 9.5k/12k burner, w/mtg screw
2C #	5303935234	A B C	Valve, 9.5K burner, w/mtg screw
3 #	316219006	A B C	Wiring Harness, w/igntr switch
8	318079001	A B C	Module, spark
10 #	316223300	A B C	Burner, sealed, 17K
10A#	316206400	A B C	Burner, sealed, 5K
10B#	316212300	A B C	Burner, sealed, 12K
10C#	316212400	A B C	Burner, sealed, 9.5K
11 #	316430500	A B C	Ignitor/orifice assy., top burner, right front, 16K, w/holder, tube
11A#	316430800	A B C	Ignitor/orifice assy., top burner, right rear, 5K, w/holder, tube
11B#	316430401	A B C	Ignitor/orifice assy., top burner, left rear, 12K, w/holder, tube
11C#	316237800	A B C	Ignitor/orifice assy., top burner, front
11D#	316430700	A B C	Ignitor/orifice assy., top burner, center, 9.5K, w/holder, tube
13 #	316405300	A B C	Tube, 3/8, aluminum, rgltr to manf, with fittings
14 #	316091706	A B C	Regulator, pressure
14*	316021104	A B C	Screw, hex, 8-18 x 3/8, nick, (3), regulator brkt
15	316091600	A B C	Bracket, regulator
16 #	316405500	A B C	Tube, valve to regul., 3/8
17 #	316404900	A B C	Valve, safety
17*	08068018	A B C	Shield, wire, safety valve
18 #	316404400	A B C	Burner, oven
19 #	316428500	A B C	Ignitor, oven burner
20	316401401	A B C	Baffle, oven burner
21	5303013272	A B C	Nut, hex head sems
22 #	316405400	A B C	Tube, valve to mixer
23 #	316404300	A B C	Burner, broiler
24 #	316409700	A B C	Elbow, mixer
25	316401301	A B C	Baffle, broil burner
26 #	316428601	A B C	Ignitor, burner
26*	316401500	A B C	Cover, broil Ignitor
37	316240600	A B C	Screw, assy mtg, ignitor/orifice
44	316237912	A B C	Orifice, top burner, 16K
44A	316237903	A B C	Orifice, top burner, 5K
44B	316237901	A B C	Orifice, top burner, 12K
44C	316237902	A B C	Orifice, top burner, 9.5K
47	GRLP2	A B C	LP Conversion Kit, w/instructions
47*	316248105	A B C	Instructions, LP kit
* #	316253702	A B C	Wiring Harness, ignitor module
* #	316064103	A B C	Wire, ground assembly
*	316001003	A B C	Screw, ground wire
*	316215600	A B C	Screw, valve mtg., 1/4 - 20
*	5303271648	A B C	Screw, wafer hd sq dr, 8-18AB x 0.5

**BODY**

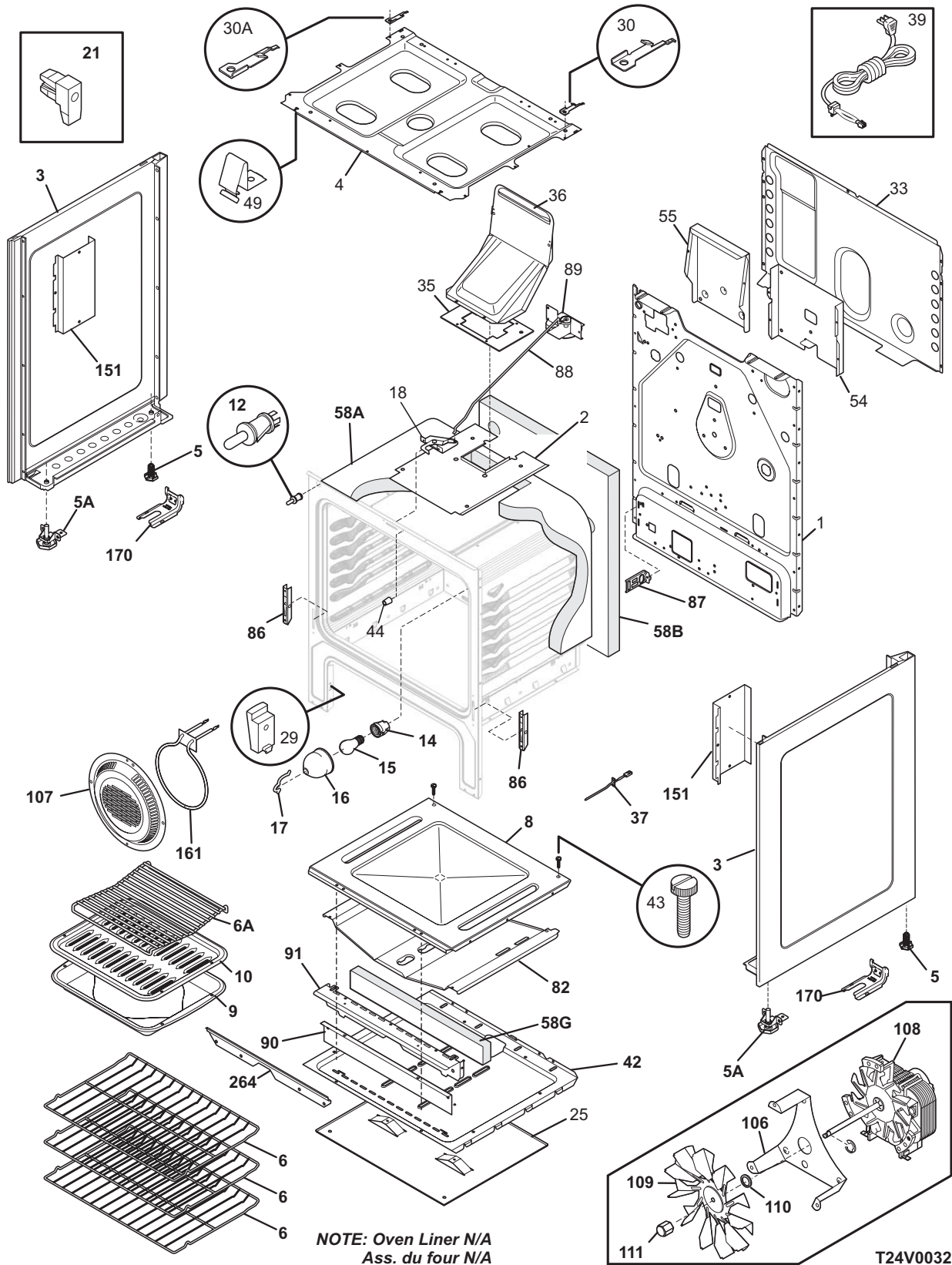


**BODY**

*Model Index:* A GLGF388D (GLGF388DBE)  
 B GLGF388D (GLGF388DQE)  
 C GLGF388D (GLGF388DSE)

POS. NO	PART NO.		DESCRIPTION
1	316401600	A B C	Back, main
2	316402201	A B C	Shield, oven top
2*	316437100	A B C	Brace, oven top
3	316400118	A - -	Panel, bodyside, black, RH
3	316400119	A - -	Panel, bodyside, black, LH
3	316400120	- B -	Panel, bodyside, bisque, RH
3	316400121	- B -	Panel, bodyside, bisque, LH
3	316400116	- - C	Panel, bodyside, white, RH
3	316400117	- - C	Panel, bodyside, white, LH
4	316201403	A B C	Burner Box
5	316272900	A B C	Screw, leveling, plastic, rear, (2)
5A	316407201	A B C	Leveling Leg Assy, metal, front, (2), bracket & leg
6	316404501	A B C	Rack, oven
6A	318219500	A B C	Rack, broiler pan
8	316400603	A B C	Panel, oven bottom
9	316081900	A B C	Pan, broiler
10	316082000	A B C	Insert, broiler pan
12	316445500	A B C	Switch, oven light, door frame
14	316116400	A B C	Receptacle, oven light
15	5303013071	A B C	Bulb/Lamp, light
16	08011086	A B C	Lens, oven light, glass
17	316087500	A B C	Retainer, lens
18 #	316405800	A B C	Latch Assembly, oven door
21	316408000	A B C	Clip, bodyside
25	316406200	A B C	Shield, heat, lower
29	316407301	A B C	Glide, drawer, front
30	316217700	A B C	Bracket, hinge, RH, main top
30A	316217701	A B C	Bracket, hinge, LH, main top
33	316402500	A B C	Shield, rear wall
35	316116600	A B C	Gasket, flue
36	316208901	A B C	Flue
37 #	316217001	A B C	Probe, oven temp
39 #	3131425	A B C	Cord, electric power
42	316400703	A B C	Shield, wool, lower
43	3131732	A B C	Screw, 8-18 x 1.438, oven bottom
44	316246501	A B C	Spacer, oven door
49	316234200	A B C	Clip, maintop mtg, (2)
54	316404200	A B C	Shield, heat
55	316404800	A B C	Shield, flue
58A	316403700	A B C	Insulation, oven wrapper
58B	316403600	A B C	Insulation, oven back
58G	08067973	A B C	Insulation, main front
82	316400801	A B C	Shield, bake burner
82*	316432800	A B C	Clip, wire
86	316441300	A B C	Receptacle, hinge
86*	316418901	A B C	Screw, trilobe, 10-32 x 5/16"
87	316401200	A B C	Bracket, harness
88	316232700	A B C	Rod, auto latch

**BODY**



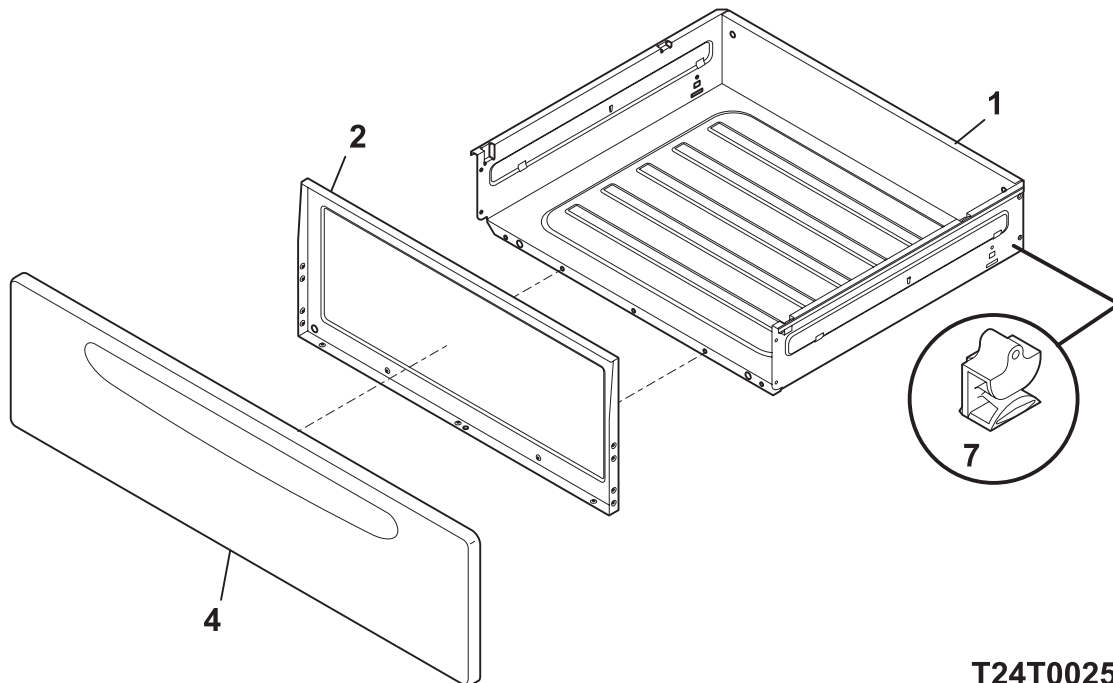
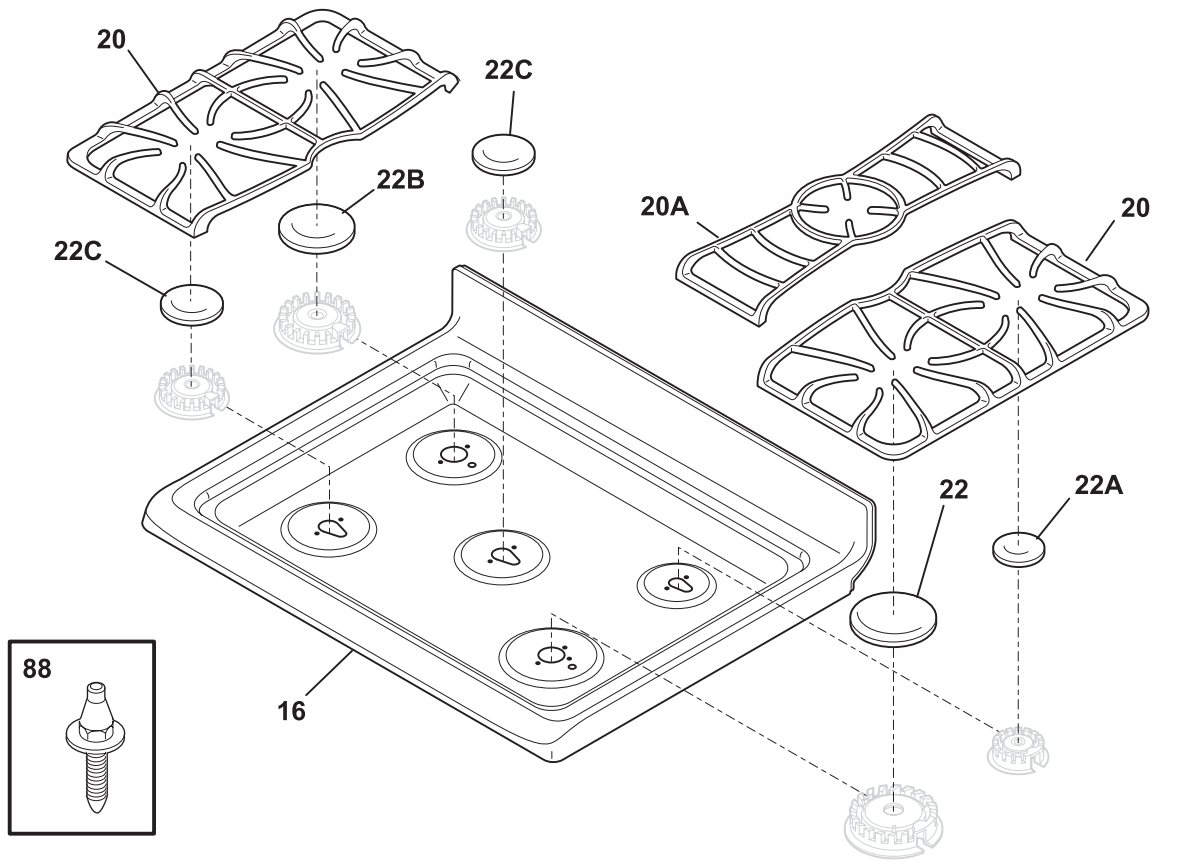


**BODY**

*Model Index:* A GLGF388D (GLGF388DBE)  
 B GLGF388D (GLGF388DQE)  
 C GLGF388D (GLGF388DSE)

POS. NO	PART NO.		DESCRIPTION
89 #	316415400	A B C	Motor, latch/lock
90	316401100	A B C	Shield, main front
91	316401000	A B C	Shield, front, burner
106	316404100	A B C	Bracket, motor mtg.
107	316026701	A B C	Cover, fan
108#	316415700	A B C	Motor, convection
109	316136400	A B C	Blade, fan
110	316136500	A B C	Washer, flat
111	316136600	A B C	Nut, fan retainer
151	316404600	A B C	Shield, bodyside
161#	316211603	A B C	Element, convection fan, 350 W
170	5303935180	A B C	Anti-tip Kit, w/bracket, screw
170*	316107200	A B C	Bracket, anti-tip
170*	316112500	A B C	Template, anti-tip
170*	316116000	A B C	Screw, concrete, 1.75", anti-tip brkt
264	316404700	A B C	Bracket, air dam
* #	316416611	A B C	Harness, wiring, main
*	5303305345	A - -	Paint, touch-up, black
*	5304414035	- B -	Paint, touch-up, bisque
*	5303321319	- - C	Paint, touch-up, white
*	316021105	A B C	Screw, hex head cup pt, 8-18 x 0.375, black
*	316021108	A B C	Screw, cup pt, 8-18 x 0.375, chrome
*	316021110	A B C	Screw, 8-18 x 0.5, black
*	316021132	A B C	Screw, 8-18 X 11/16, black
*	316089500	A B C	Screw, 10-16 x .486
*	5303271648	A B C	Screw, wafer hd sq dr, 8-18AB x 0.5
*	5303285179	A B C	Screw, wafer head, 8-32T x 0.500, black

**TOP/DRAWER**



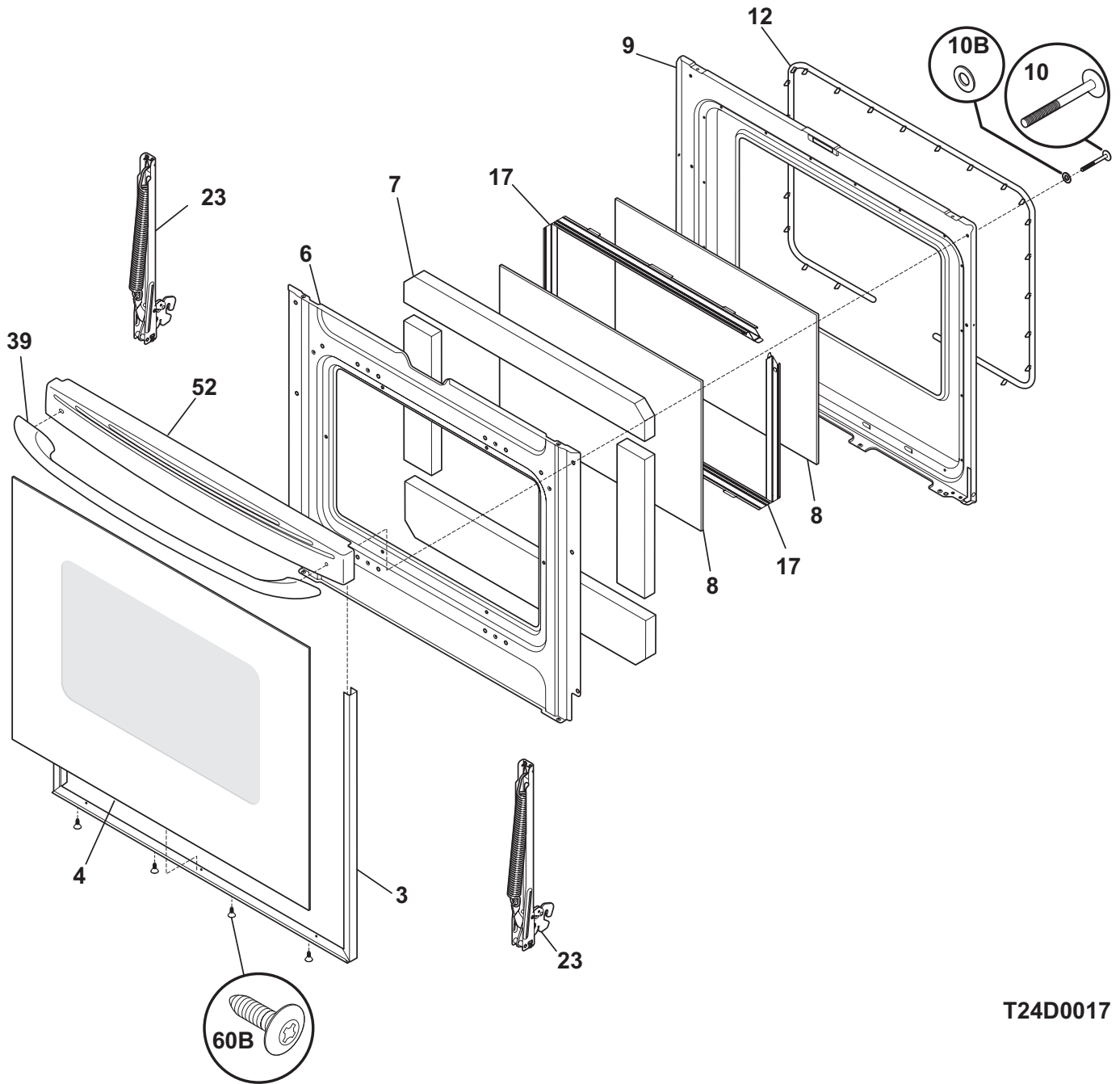
**T24T0025**

**TOP/DRAWER**

*Model Index:* A GLGF388D (GLGF388DBE)  
 B GLGF388D (GLGF388DQE)  
 C GLGF388D (GLGF388DSE)

POS. NO	PART NO.		DESCRIPTION
1	316408701	A B C	Drawer, utility
2	316403200	A B C	Liner, drawer
4	316403402	A - -	Panel, drawer, black, front
4	316403403	- B -	Panel, drawer, bisque, front
4	316403401	- - C	Panel, drawer, white, front
7	316407400	A B C	Glide, drawer, rear
16	316411216	A - -	Maintop, black
16	316411218	- B -	Maintop, bisque
16	316411217	- - C	Maintop, white
20	316424601	A - -	Grate, black, (2)
20	316424604	- B -	Grate, brown, (2)
20	316424605	- - C	Grate, gray, (2)
20A	316424801	A - -	Grate, center, black
20A	316424804	- B -	Grate, center, brown
20A	316424805	- - C	Grate, center, gray
22	316271900	A - -	Cap, 17K burner, black
22	316271902	- B -	Cap, 17K burner, brown
22	316271901	- - C	Cap, 17K burner, gray
22A	316206600	A - -	Cap, 5K burner, black
22A	316206602	- B -	Cap, 5K burner, brown
22A	316206601	- - C	Cap, 5K burner, gray
22B	316213600	A - -	Cap, 12K burner, black
22B	316213603	- B -	Cap, 12K burner, brown
22B	316213601	- - C	Cap, 12K burner, gray
22C	316213500	A - -	Cap, 9.5K burner, black
22C	316213503	- B -	Cap, 9.5K burner, brown
22C	316213501	- - C	Cap, 9.5K burner, gray
88	316099500	A B C	Pin, guide, (2)
*	316021105	A B C	Screw, hex head cup pt, 8-18 x 0.375, black
*	316021108	A B C	Screw, cup pt, 8-18 x 0.375, chrome
*	316021109	A B C	Screw, 8-18 x 0.5, chrome
*	316021110	A B C	Screw, 8-18 x 0.5, black

**DOOR**



T24D0017

---

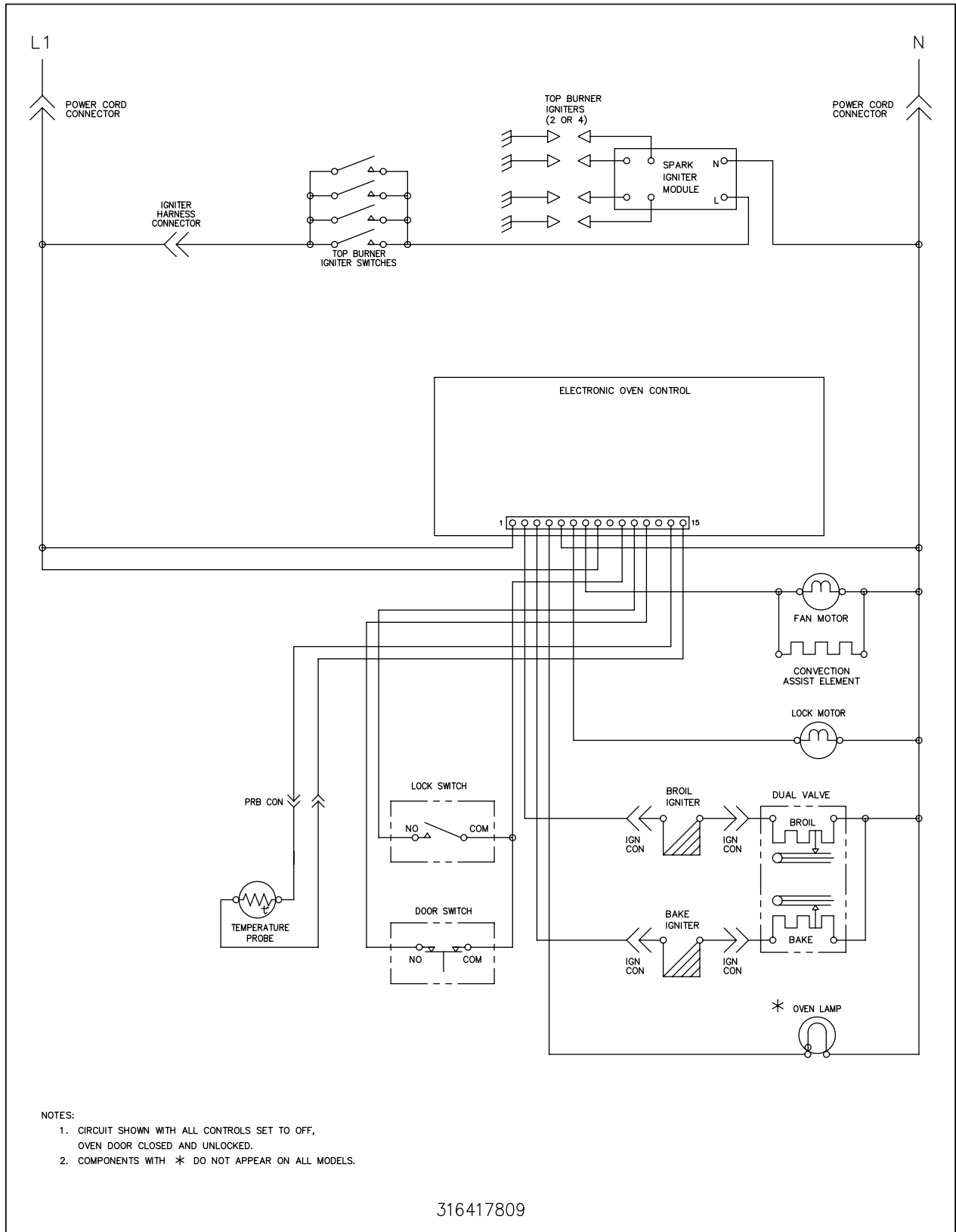
**DOOR**


---

*Model Index:* A GLGF388D (GLGF388DBE)  
 B GLGF388D (GLGF388DQE)  
 C GLGF388D (GLGF388DSE)

POS. NO	PART NO.		DESCRIPTION
3	316402002	A - -	Trim, oven door, black
3	316402003	- B -	Trim, oven door, bisque
3	316402001	- - C	Trim, oven door, white
4	316402601	A - -	Glass, door, black
4	316402602	- B -	Glass, door, bisque
4	316402600	- - C	Glass, door, white
6	316402307	A B C	Shield, wool
7	316403900	A B C	Insulation, oven door
8	316117500	A B C	Glass, oven door, heat barrier
9	316423801	A B C	Liner, oven door
10	316433300	A B C	Screw, 10-14 x 2.125", handle mtg.
10B	316008401	A B C	Washer, 3/4 OD x 1/4 ID, steel
12	316403101	A B C	Seal, oven door
17	316402403	A B C	Spacer, door glass, (2)
23	316437702	A B C	Hinge, oven door
23*	316418900	A B C	Screw, sims lp, #8-32 x 5/16", black
39	316270200	A - -	Handle, door, black
39	316270202	- B -	Handle, door, bisque
39	316270201	- - C	Handle, door, white
52	316405101	A - -	Cap, door trim, black
52	316405102	- B -	Cap, door trim, bisque
52	316405100	- - C	Cap, door trim, white
60B	316021110	A B C	Screw, 8-18 x 0.5, black
*	316433603	A B C	Label, anti-tip
*	316021109	A B C	Screw, 8-18 x 0.5, chrome
*	5303271648	A B C	Screw, wafer hd sq dr, 8-18AB x 0.5
*	5303285179	A B C	Screw, wafer head, 8-32T x 0.500, black

### WIRING SCHEMATIC



- NOTES:
- 1. CIRCUIT SHOWN WITH ALL CONTROLS SET TO OFF, OVEN DOOR CLOSED AND UNLOCKED.
  - 2. COMPONENTS WITH \* DO NOT APPEAR ON ALL MODELS.

316417809

**WIRING DIAGRAM**

