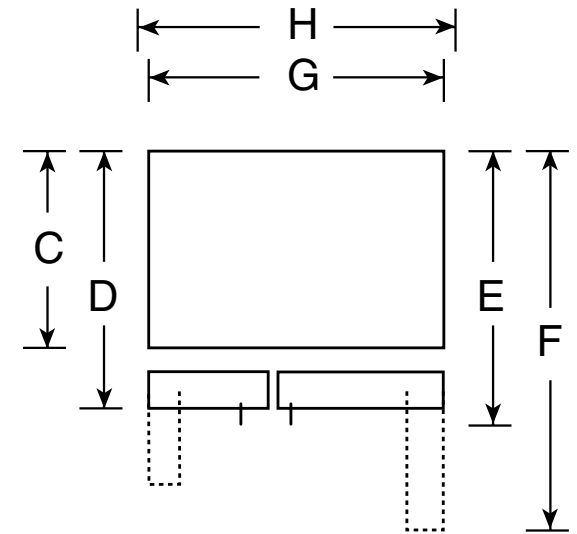
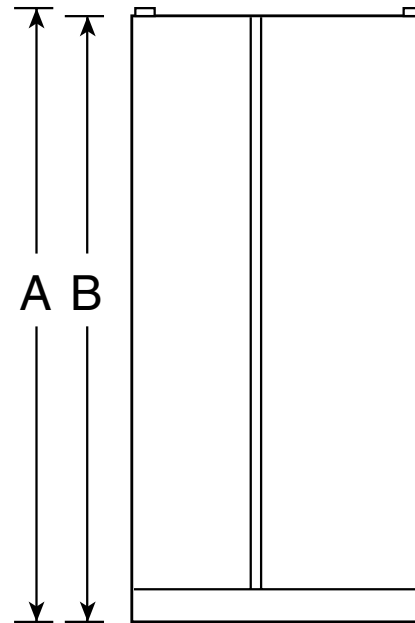


# PSC25NST

## GE Profile CustomStyle™ ENERGY STAR® 24.6 Cu. Ft. Stainless Side-By-Side Refrigerator with Integrated Dispenser

### Dimensions and Installation Information (in inches)

|                    |  |         |
|--------------------|--|---------|
| Overall Dimensions | Height to top of hinge (in.) <b>A</b>                    | 72      |
|                    | Height to top of case (in.) <b>B</b>                     | 71-1/2  |
|                    | Case depth without door (in.) <b>C†</b>                  | 23-7/8  |
|                    | Case depth less door handle (in.) <b>D†</b>              | 27-1/8  |
|                    | Case depth with door handle (in.) <b>E†</b>              | 29-9/16 |
|                    | Depth with fresh food door open 90° (in.) <b>F†</b>      | 46      |
|                    | Width (in.) <b>G</b>                                     | 35-3/4  |
|                    | Width with door open 90° inc. door handle (in.) <b>H</b> | 38-3/16 |
| Air Clearances     | Each side (in.)  | 1/8     |
|                    | Top (in.)  | 1       |
|                    | Back (in.)   | 1/2     |



Top View

†Water hook-up fits in back air clearance when calculating installation depth.

If installed against a wall, allow clearance of 13-15/16" on freezer side to remove bin.

Clearance required to remove fresh food full-size pan without disassembling is 18-5/8".

Allow additional space for any necessary leveling adjustments.

For answers to your Monogram,® GE Profile™ or GE® appliance questions, visit our website at [ge.com](http://ge.com) or call GE Answer Center® service, 800.626.2000.



As an ENERGY STAR® partner, GE has determined that this product meets the ENERGY STAR guidelines for energy efficiency.

# PSC25NST

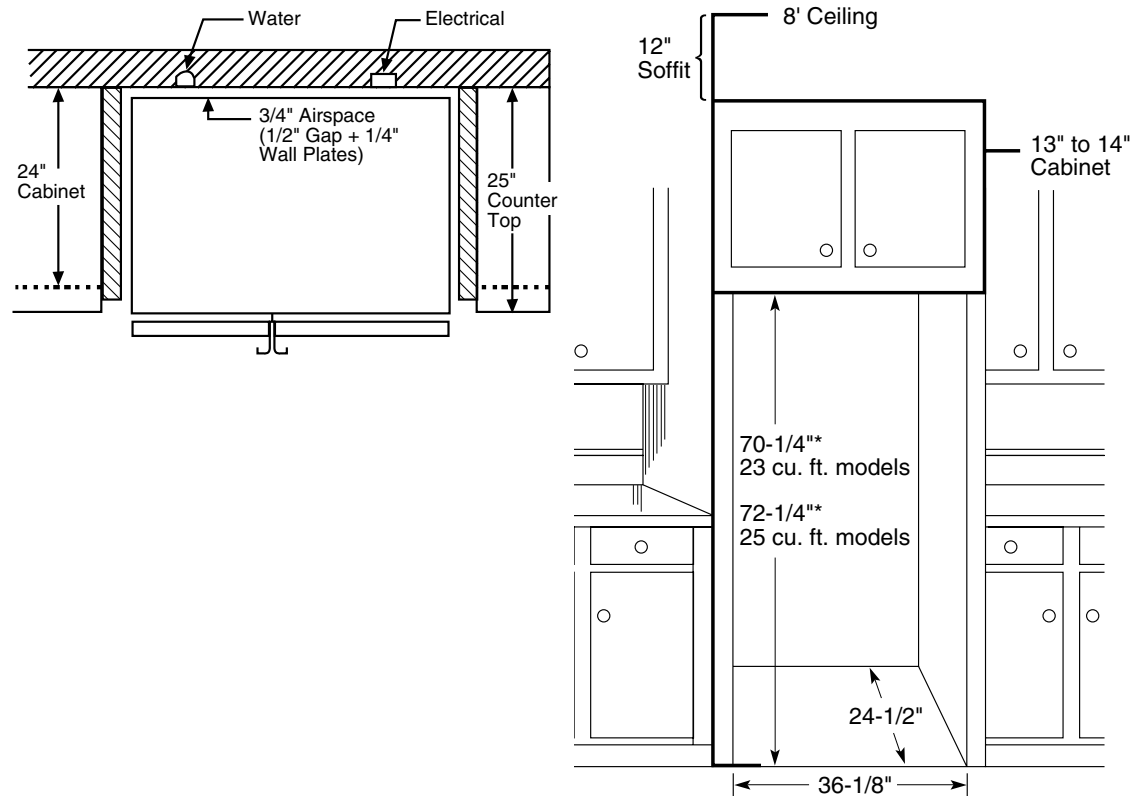
## GE Profile CustomStyle™ ENERGY STAR® 24.6 Cu. Ft. Stainless Side-By-Side Refrigerator with Integrated Dispenser

### Rough-In Dimensions and Installation Information (in inches)

#### Installation Tips to Maximize the Built-In Look

- All wall/floor molding should be removed prior to installation.
- Water recess on rear wall recommended to prevent water line damage. 48" minimum length, 1/4" diameter water line tubing recommended.
- When possible, recess both copper water line and electrical outlet. (See local codes)
- Front and rear leveling legs are adjustable for the built-in look. (See owner's manual)

\*\*The rough-in dimensions of 70-1/4"/72-1/4" are minimum and measured from the finished floor to top of opening (or the underside of the overhead cabinets). For Models with Trim Kit: If frameless style cabinets are planned for above the refrigerator, you may need to consider adding a maximum of 1/4" (70-1/2") to height of opening for 23 cu. ft. models and 1/8" (72-3/8") for 25 cu. ft. models to allow for additional clearance between the cabinet doors and the top of refrigerator trim when the cabinet doors are in open position.



For answers to your Monogram®, GE Profile™ or GE® appliance questions, visit our website at [ge.com](http://ge.com) or call GE Answer Center® service, 800.626.2000.



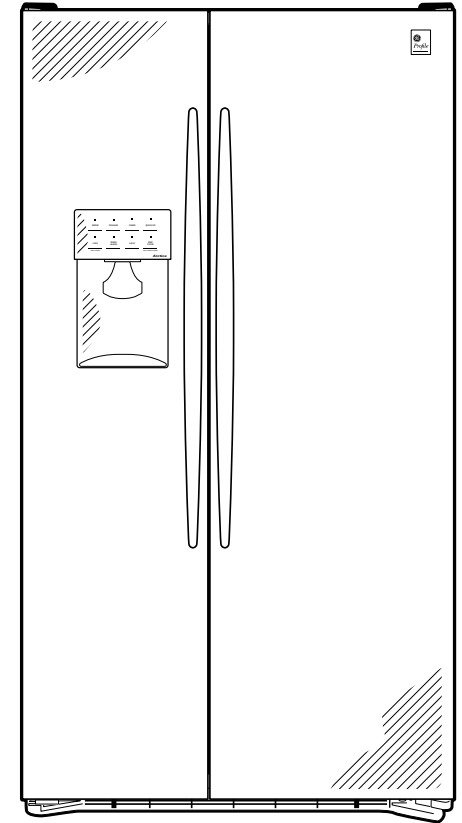
As an ENERGY STAR® partner, GE has determined that this product meets the ENERGY STAR guidelines for energy efficiency.

# PSC25NST

## GE Profile CustomStyle™ ENERGY STAR® 24.6 Cu. Ft. Stainless Side-By-Side Refrigerator with Integrated Dispenser

### Features and Benefits

- CustomStyle™ Configuration - Offers a built-in look without the built-in expense
- Stainless Steel Exterior - Convey a look of utmost polish and sophistication
- ClimateKeeper2™ System - Keeps food garden fresh longer, while protecting ice from odor transfer, with its unique dual-evaporator system
- Integrated dispenser with LED lighting - Beveled color-matched design gives the dispenser an attractive, updated look; LED lighting provides long-lasting illumination
- CustomCool™ Technology - Chills in minutes, thaws in hours and keeps foods fresher, longer
- Electronic controls with actual temperature display - Eliminates guesswork in setting refrigerator temperatures
- Slide 'n Store™ Full-Extension Freezer Baskets - Extends 12" to 16" beyond the cabinet, providing easy loading and unloading
- Quick Ice™ Option - Makes ice up to 50% faster than normal settings-ideal for entertaining
- TurboCool™ Setting - "Revs up" the refrigerator, cooling it quickly after frequent door openings
- Integrated Ice™ System - Frees up valuable freezer space. It tilts down, providing easy access to bulk ice
- Tilt-Out Freezer Door Bins - Move forward for convenient access
- Integrated Shelf Support System - Provides strong, yet flexible support
- Model PSC25NSTSS - Stainless steel



imagination at work



As an ENERGY STAR® partner, GE has determined that this product meets the ENERGY STAR guidelines for energy efficiency.