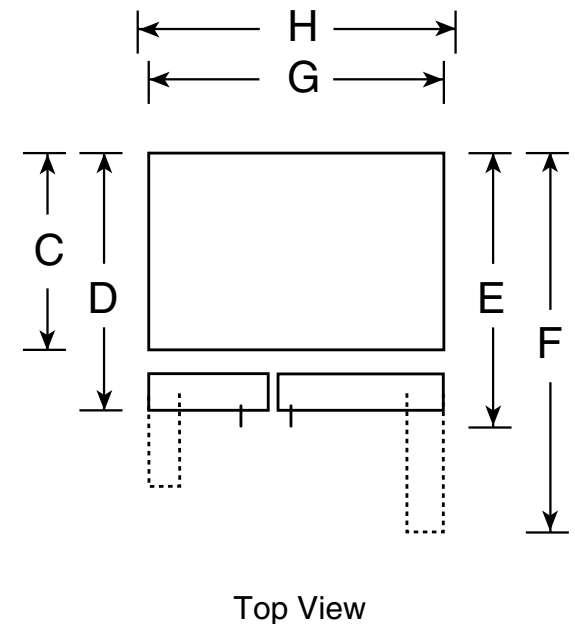
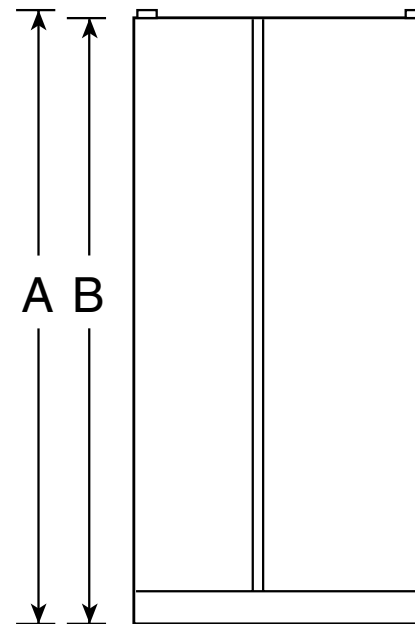


PSF26MGW

GE Profile™ ENERGY STAR® 25.6 Cu. Ft. Side-By-Side Refrigerator

Dimensions and Installation Information (in inches)

| | | |
|--------------------|---|-----------------|
| Overall Dimensions | Height to top of hinge (in.) A | 69-1/4 |
| | Height to top of case (in.) B | 68-3/4 |
| | Case depth without door (in.) C† | 28 |
| | Case depth less door handle (in.) D† | 32-1/4 |
| | Case depth with door handle (in.) E† | 34-11/16 |
| | Depth with fresh food door open 90° (in.) F† | 50-1/16 |
| | Width (in.) G | 35-3/4 |
| Air Clearances | Each side (in.) | 1/8 |
| | Top (in.) | 1 |
| | Back (in.) | 1 |
| | | |



†Water hook-up fits in back air clearance when calculating installation depth.

If installed against a wall, allow clearance of 14-3/16" on freezer side to remove bin. To remove fresh food pans, remove door bins.

Clearance required to remove fresh food full-size pan without disassembling is 18-15/16".

Allow additional space for any necessary leveling adjustments.

For answers to your Monogram,® GE Profile™ or GE® appliance questions, visit our website at ge.com or call GE Answer Center® service, 800.626.2000.



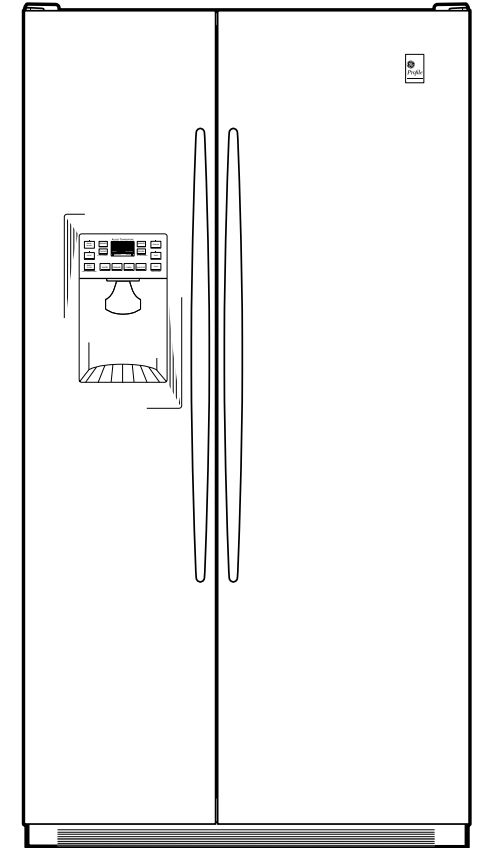
As an ENERGY STAR® partner, GE has determined that this product meets the ENERGY STAR guidelines for energy efficiency.

PSF26MGW

GE Profile™ ENERGY STAR® 25.6 Cu. Ft. Side-By-Side Refrigerator

Features and Benefits

- High-Gloss Finish - Provides sleek elegance with a smooth surface
- ClimateKeeper™ System - Best Temperature Management System That You Can Buy
- Integrated Dispenser with LED Lighting & UltraFlow100 - Illuminates the dispenser and pours up to 100 ounces of water per minute
- ExpressChill™ with 1 Setting - Chills beverages quickly with easy one-button selection of 45 minutes
- Slide 'n Store™ Freezer Basket - Offers easy access and flexible storage
- Quick Ice™ Option - Makes ice up to 50% faster than normal settings-ideal for entertaining
- TurboCool™ Setting - "Revs up" the refrigerator, cooling it quickly after frequent door openings
- Integrated Ice™ System - Frees up valuable freezer space; It tilts down, providing easy access to bulk ice
- Tilt-Out Freezer Door Bins - Move forward for convenient access
- Integrated Shelf Support System - Provides strong, yet flexible support
- Adjustable ClearLook™ Door Bins - Hold gallon-size containers with style and ease
- In-the-Door Beverage Rack - Conveniently located inside the refrigerator door to increase flexibility and to free up valuable shelf space
- Adjustable Slide-Out, Spillproof Glass Shelves - Shelves slide out, spills stay put
- GE Water Plus Filtration System - Delivers clean, great-tasting water and ice through the LightTouch! Dispenser with indicator light
- Model PSF26MGWWW - White on white
- Model PSF26MGWCC - Bisque on bisque
- Model PSF26MGWBB - Black on black



imagination at work



As an ENERGY STAR® partner, GE has determined that this product meets the ENERGY STAR guidelines for energy efficiency.